



ClicWall

Installation guide

1. Product description

In summary: 10 mm thick PEFC-certified MDF panels, with a melamine layer on both sides. Long edges finished with Uniclic profiles, short sides with straight edges.

Detail: Wall-cladding system composed of PEFC MDF 10 mm thick core, finished with a resistant melamine top layer and a resistant melamine counter layer. Each panel has a tongue on the long side and a groove on the other long side so they can be clicked together. The UNILIN patented Uniclic system insures a nearly seamless connection. The short top and bottom side have a smooth straight edged finish.

Corner finishing:

- aluminium external corner profile
- flexible internal and external corner profile
- mitre saw finishing (45° angle) (+ if necessary apply sealant)

Colours and decors:

- 10 colours in stock
- 76 colours on demand (minimum quantity: 160 panels)
- Decors match with Formica Unilin Collection (except F976 Granulo)
- ClicWall® Deco: finish wall panels for choice

PEFC:

ClicWall® Deco has the same PEFC-certified MDF 10 mm thick core but is finished with a paint grade top and counter layer. The panel can then be finished off with paint, wallpaper or digital print, as desired.

ClicWall® FR complies with the European fire-rated standard B-s2,d0. The 10 mm thick MDF core has a red colour and when installed, cannot be visually distinguished from the standard ClicWall® collection.

Fire resistance

- EI60 (RF60) for non-load-bearing separating wall
- Baseboard: AntiVlam 12 mm
- ClicWall® FR 10 mm (Euroclass B-s2,d0)
- Rock fibre insulation (Rockwool): 35 kg/m³ - 40mm
- Substructure: metal stud 50 mm
- Sealing: PE50 tape

Acoustic:

The acoustic resistance for the fire-retardant installation (EI60) is 52 dB (Rw = 52dB (Cw-4, Ctr-11))

ClicWall® product advantages:

- Fast assembly
- Click system
- Nearly seamless
- Splash proof
- UV resistant
- Scratch-resistant
- Easy to clean
- Immediately finished (ClicWall®) or can be completed immediately (ClicWall® Deco)
- Fire resistance EI60 (RF60)
- Acoustic value for EI60 installation: Rw = 52dB (Cw-4, Ctr-11)

2. Dimensions and weight

2.1. ClicWall®

Standard gross dimensions: 2785 x 618 x 10 mm (HxWxT)

Standard net dimensions: 2785 x 600 x 10 mm (HxWxT)



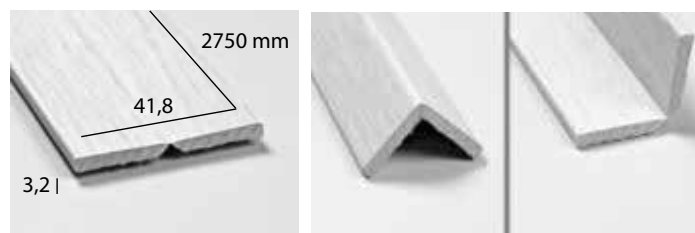
Depending on the volume purchased, alternative dimensions can be provided with a maximum height of 3050 mm and a maximum width of 1000 mm.

Weight of 1 panel: 14 kg

2.2. Finishing accessories

2.2.1. Flexible corner profile (Internal and external corner)

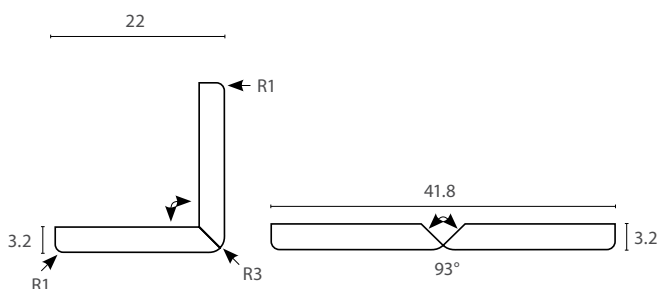
2750 x 42 x 3 mm



Profile

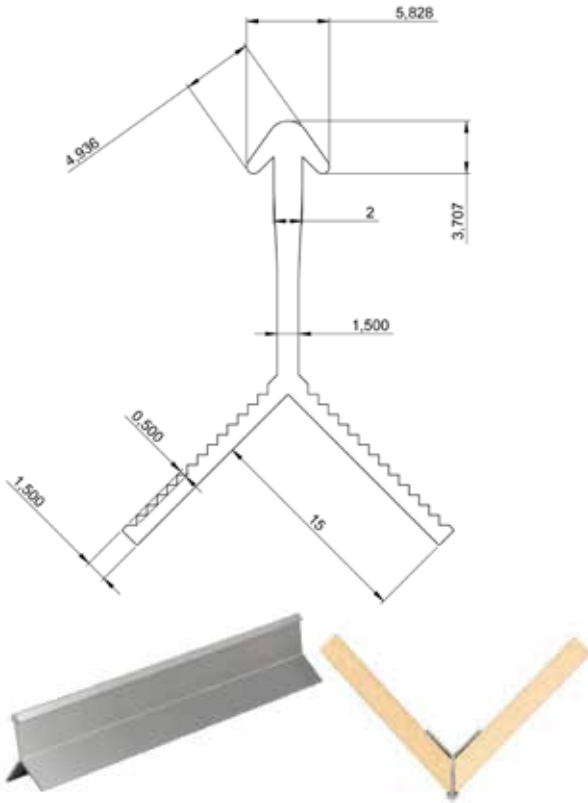
Outside

Inside corner



2.2.2 Aluminium corner profile (external corner)

Length: 2785mm
Weight: 205.78 g/lm



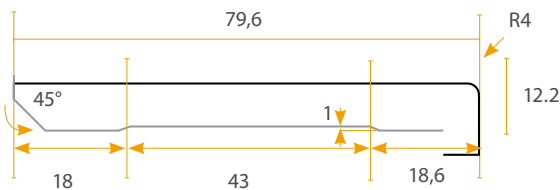
2.2.3 Mitre joint

Saw panels at a 45° angle



2.2.3 Skirting board

2400 x 80 x 12 mm



2.2.5 Paintable skirting board

2400 x 160 x 16 mm (to be cut to desired height)

3. Colours

10 colours available from stock. All colours, except F976 Granulo, correspond to the Formica Unilin Collection.

CST = softpearl - BST = topmat - W03 = structured Linewood

- | | |
|------------|----------------------|
| • F976 BST | Granulo |
| • 0025 CST | Soft Wit |
| • 0025 W03 | Soft Wit Linewood |
| • 0551 CST | Jasmina |
| • H387 BST | Marne Oak |
| • H339 BST | Solara Oak |
| • U115 W03 | Otter Linewood |
| • H689 W03 | Amazonia Linewood |
| • 0625 CST | Silicon |
| • F939 CST | Geborsteld Metaal |
| • 050 MAT | Deco (lakdraagfolie) |

76 other colours from the Formica Unilin collection are available to order as from 160 panels. See the ClicWall® brochure or www.unilinpanels.com.

4. Packaging

4.1. Standard packaging (collie)

Panels:

- 2 per pack
- Cardboard on the short sides + shrink wrap
- Weight: 28 kg (3.44 m² gross/3.34 m² net)

Flexible corner profile:

- 10 (27.50 running metres) per pack
- Shrink wrap

Aluminium corner profile:

- 10 (27.50 running metres) per pack
- Shrink wrap

Skirting board:

- 5 (12 running metres) per pack
- Shrink wrap

Paintable skirting board:

- 3 (7.2 running metres) per pack
- Shrink wrap

4.2. Bulk

Panels:

- 80 pieces stacked
- Pallet with top and bottom sheet
- Corner protection
- Weight: 1200 kg

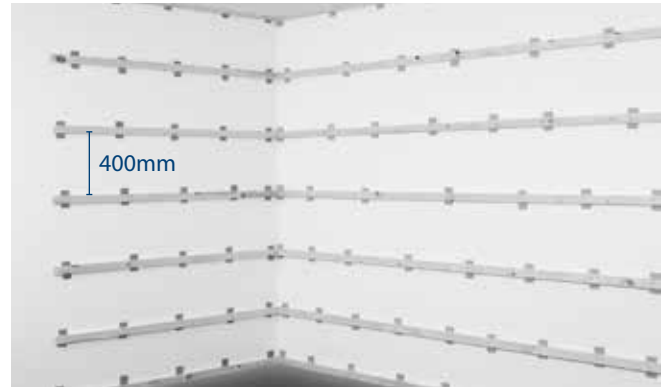
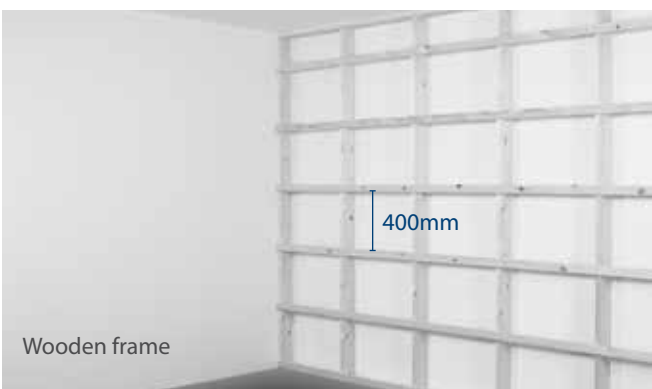
5. Installation guidelines

5.1. General

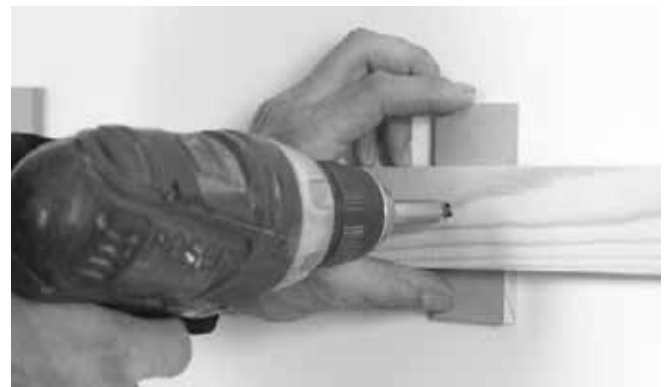
These installation guidelines should be read carefully before starting to work with ClicWall®. If sawing, milling, drilling or similar activities are to be carried out on the products, the necessary personal protective equipment must be worn. If any defects are discovered, it is recommended to stop installation and contact your supplier. If you have any questions or doubts, consult Unilin, division panels.

5.2 Installing the substructure

ClicWall® can be used on the following substructures:



Wooden slats directly on the wall: spacing 400mm



Always provide a ventilation slot behind the substructure.



Always ensure that the substructure is fitted vertically.

Always attach the substructure firmly, at right angles and level both horizontally and vertically. Combined substructures are also an option. Other applications are in consultation with Unilin, division panels. Recommended for minimum dimensions of substructures:

- Wooden substructure:
 - rafters of 92 x 45 mm
 - flat supports of 92 x 22 mm in combination with slate battens/ceiling slats of 45 x 22 mm
 - slate battens/ceiling slats of 45 x 22 mm directly on the wall
- Metal substructure:
 - standard metal stud of 75*50 mm or 50*50 mm

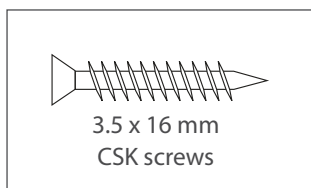
5.3 Mounting

5.3.1 Attachment systems

ClicWall® can be installed using 3 possible fixing systems:

For the ClicWall® EI60 fire resistant installation there are different instructions.

Do not apply heavy force to the joint, otherwise the panel will be pulled inwards. Screws and staples must be inserted so they are flush with the surface.



Screws



Staples



Adhesives with an industrial-strength elastic sealant

Staples preferably:
Min. width: 10 mm
Min. length: 15 mm
Spacing: 400 mm

Glue preferably
MS polymer-based

5.3.2 Installing panels



Place the first panel level.



Attach it in the corner, diagonally across the panel (10 mm from the panel's edge) or with glue.



Attach into the notches of the Uniclic® profile (every 400mm).



Position the second panel.



Click this panel into the previous one and attach.



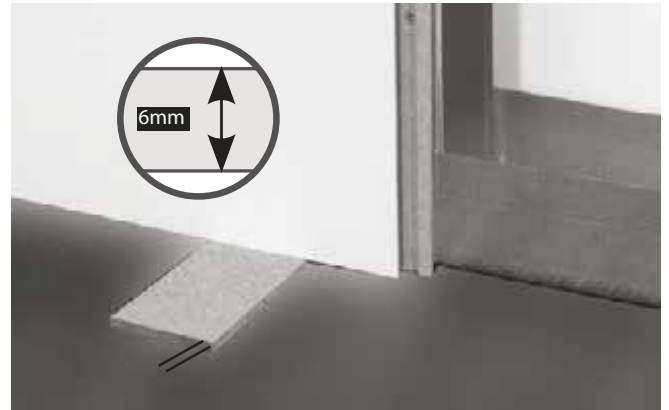
Repeat this action for each panel.



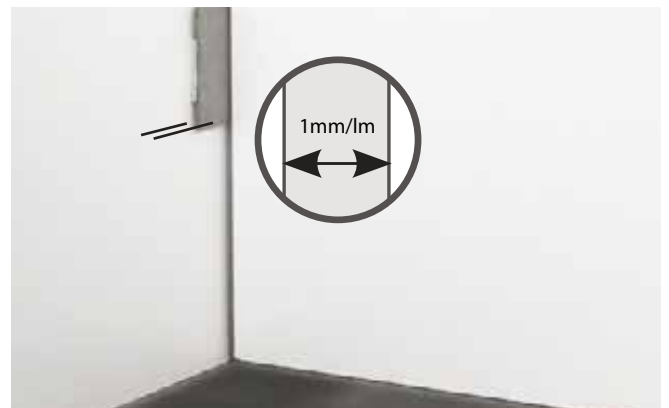
Last or first panel: saw to size.

5.3.3 Joint

Ensure that there is 1 mm expansion joint per running metre underneath, on top and on the sides, with a minimum joint of 6 mm. Also ensure an extra expansion joint every 8 metres.



Provide a 6 mm expansion joint both at the top and bottom.



At the sides leave 1 mm per linear meter.

5.4 Finish

5.4.1 Skirting board

Available in the same colours as the ClicWall® panels.

5.4.2 Paintable skirting board

The paintable skirting board is made using Incizo technology and can be cut to the desired height. The cut side is placed against the floor. The two halves obtained can be combined or used separately so that you get 2 skirting boards out of 1 piece.

5.4.3 Flexible corner profile

For finishing corners and ceiling joints. Available in the same colours as the ClicWall® panels and in ClicWall® Deco (can be painted over).

5.4.4 Mitre joint

Saw panels at a 45° angle and if necessary apply sealant.

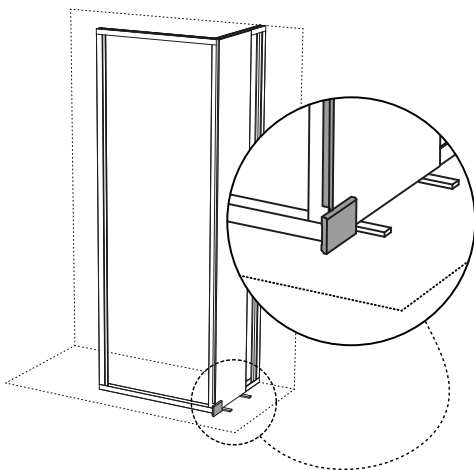
5.4.5 Aluminium corner profile (external corner)

5.4.5.1 General remarks

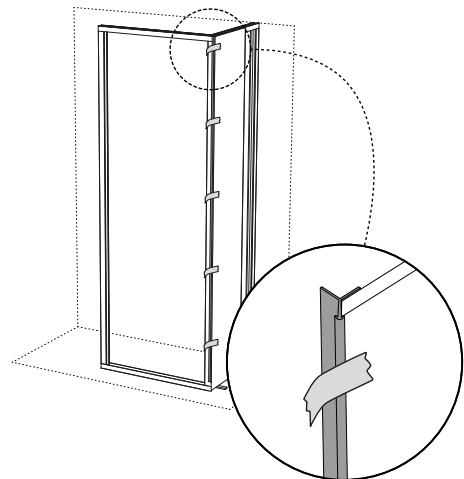
1. Please follow the general instructions for installing ClicWall® panels and substructures.
2. To ensure a perfect corner connection, walls, metal studs and battens must be flat and fit well.

5.4.5.2 Metal (75 x 50 mm or 50 x 50 mm) or wooden substructure (92 x 45 mm or 92 x 22 mm)

1. Preferably saw the corner panels beforehand in the workshop using a mitre saw at 45 degrees. Left corner panel and/or right corner panel.
2. Saw aluminium section to the correct length: panel height minus the height of the skirting board.
3. Apply MS polymer or installation adhesive in dabs on the corner of the metal stud + on the inside ribbed surface (not too thickly), both left and right.
4. Slide the aluminium section into the right (or left) panel. Now press the ClicWall® panel with the aluminium section against the substructure. Make sure that it is level both vertically and horizontally. After ensuring that it is level, staple or screw the ClicWall® panel to the groove with 3.5 x 16 or 3.5 x 20 screws at a distance of 400 mm from the floor.

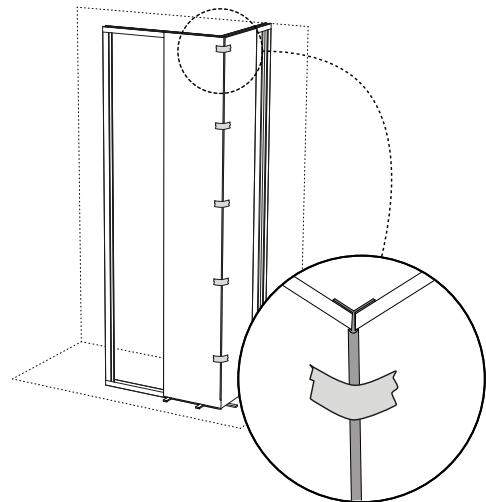


The height of the floor to the underside of the aluminium corner section is set by placing a piece of skirting under the aluminium corner profile.



Attach the aluminium section to the ClicWall® panel with tape.

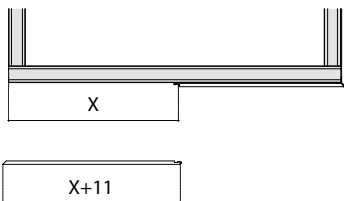
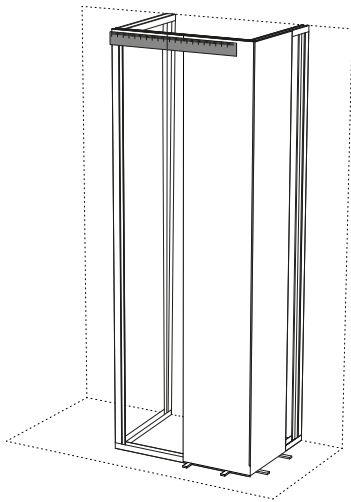
5. Now slide the left (or right) panel onto the aluminium corner profile. Attach the aluminium section to the ClicWall® panel with tape.



Then press the ClicWall® panel against the metal stud. Make sure that it is level both vertically and horizontally. After ensuring that it is level, staple or screw the ClicWall® panel to the groove with 3.5 x 16 or 3.5 x 20 screws at a distance of 400 mm from the floor.

In the case of a U-shaped construction:

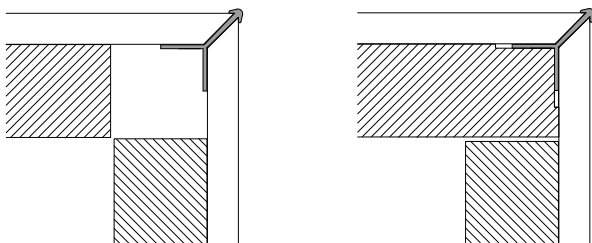
1. Carefully measure the distance between the next corner and the shoulder of the ClicWall® panel (measurement X + 11mm).



2. Accurately saw the 45° mitre joint.
3. Repeat procedure for gluing corner from step 3.

5.4.5.3 Wooden constructions with tile laths/ceiling slats (45 x 22 mm).

Glue aluminium corner section suspended or recessed.



5.4.5.4 Tips for installation of aluminium corner profile

1. Always wear gloves to prevent injuries from the sharp edge created by mitring.
2. Always saw parallel to the guide so that you obtain a straight, accurate cut.
3. If desired, drill a 6 mm hole above and below in the profile in order to screw the profile level to the metal studs (3.5 x 16 or 3.5 x 20 mm).
4. Do not remove the tape until the installation adhesive has fully bonded. Be sure to consult the specific information on the type of MS polymer/installation adhesive being used.
5. Handling tolerances: up to 1.5 mm.
6. Painting the aluminium corner section:
 1. Pre-treatment:
 - Thoroughly degrease: MC product
 - Depolish: with Scotch-Brite abrasive pad
 2. Primer:
 - Omniprim plus (water-based adhesive coat)
 - 1 coating layer in case of further finishing with a water-based paint (2 coating layers in the case of further finishing with a solvent-based paint)
 3. Finish:
 - Water-based paint (on 1 coating layer of Omniprim plus)
 - Solvent-based paint (on 2 coating layers of Omniprim plus)
7. Double-sided tape instead of screws = immediate adhesion

5.4.6 ClicWall® Deco

Paint grade layer can easily be finished with paint, wallpaper or print.



Paint



Wallpaper



Prints

ClicWall® must be installed perfectly flat according to the installation guidelines and should be clean, dry, and free of grease and dust.

Wallpaper adhesive recommendation

When decorating the ClicWall with wallpaper, we recommend that you use wall adhesive or vinyl adhesive for wallpaper borders and non-absorbent substrates. To do so, the substrate must be solid, dry, flat, dust-free and grease-free. Before the wallpaper is glued, it must first be moistened. Leave the moisture to soak in for 5 minutes. Only then should the adhesive be applied to the wallpaper material.

Painting advice

Preparation:

The installed ClicWall® must be perfectly flat on its substructure according to our installation guidelines so that the joints can barely be seen or felt. The installed ClicWall® should also be clean, dry, grease-free and dust-free with a minimum temperature of 15° C and a relative humidity between 30% and 70%. Always consult the safety guidelines accompanying the products and materials used.

Solvent-based system:

When using a solvent-based system, 3 layers should be applied: 1 layer of insulating acrylic primer for interior walls and 2 finishing layers of a water-soluble acrylic dispersion. Apply the primer – matt or satin – with a roller or brush and leave to dry for 24 hours.

The finishing layers must be stress-relief annealed and non-porous with a minimum Class 2 covering capacity in accordance with DIN EN 13300 and Class 1 washable in accordance with DIN 13300. There should be a drying time of 24 hours between the 2 layers.

Solvent-free system:

When using a solvent-free system, 3 layers should be applied: 1 layer of solvent-free insulating acrylic primer for interior walls and 2 finishing layers of a solvent-free, washable acrylic wall paint. Apply the primer – matt or satin – with a roller or brush and leave to dry for 24 hours. The finishing layers must be stress-relief annealed and non-porous with a Class 2 covering capacity in accordance with DIN EN 13300 and Class 1 washable in accordance with DIN 13300. There should be a drying time of 24 hours between the 2 layers.

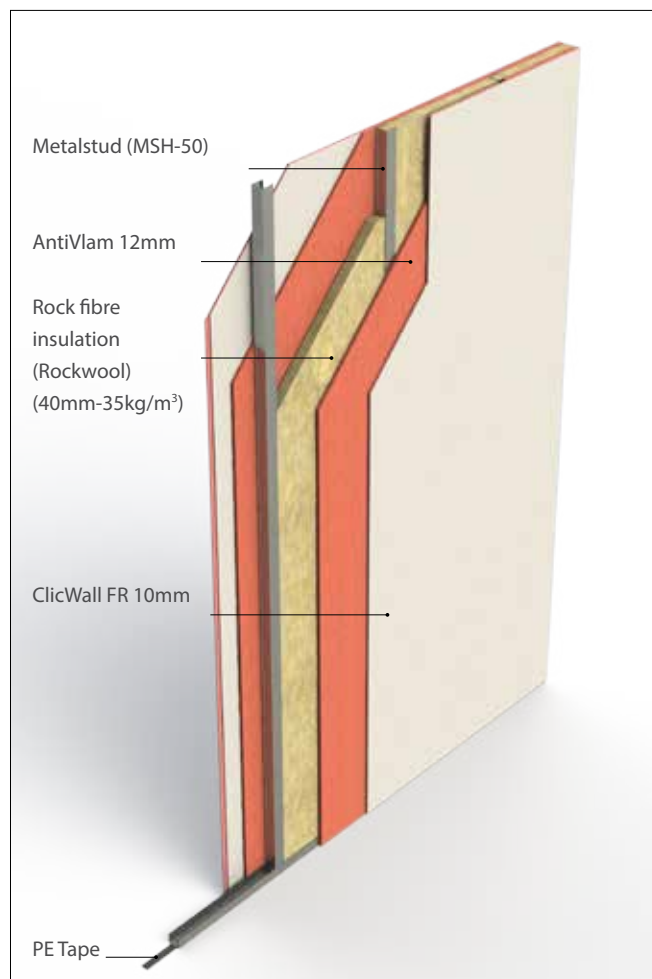
5.5 ClicWall® installation with EI 60 (RF 60) fire resistance

1. Certificate

European certificate for non-load-bearing dividing wall – EN 1364 -1:1999

2. Material

- AntiVlam 12 mm: fix with wood screws (4.0 x 25 – centre-to-centre distance 300 mm) to metal stud
- ClicWall® FR 10 mm (Euroclass B-s2,do): attach to AntiVlam 12 mm with installation adhesive (MS Polymer dots – centre-to-centre distance 200 mm)
- Rock fibre insulation (Rockwool): 40 mm – 35 kg/m³
- Substructure: metal stud 50 mm
- Sealing: PE50 tape (flexible insulation tape)



AntiVlam to metalstud: Wood screw 4.0 x25
Clicwall FR to AntiVlam: MS polymer dots

3. Details

3.1 Metal frame:

Horizontal U-profiles at top and bottom with vertical C profiles applied in between.

Edge profiles:

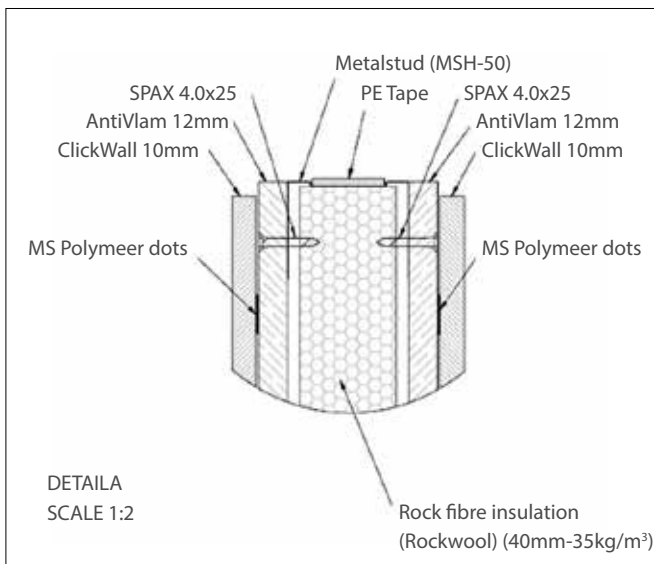
- Preparation: glue on PE50 sealing tape (see 3.2)
 - U profile: metal stud MSH-50 – 40 mm x 50 mm x 40 mm
- Fixation: nail plugs (diameter: 4.7 mm / length: 400 mm) with PVC plug (diameter: 8 mm / length: 40 mm) – centre-to-centre distance of at least 330 mm
- C profile: metal stud MSV-50 – 5 mm x 48 mm x 49 mm x 51 x 5 mm
- Fixation: nail plugs – centre-to-centre distance 275 mm

Intermediate profiles:

- C profile: metal stud MSV-50 – 5 mm x 48 mm x 49 mm x 51 x 5 mm

3.2 Sealing tape

- Flexible insulation tape PE/50 – closed-cell polyethylene (PE)
- Position: on the back of the edge profiles
- Self-adhesive



3.3 Insulation

- Closed installation so that there are no air gaps between metal profiles and insulation.
- Rock fibre insulation (Rockwool): 40 mm – 35 kg/m³
- Position: between metal profiles

3.4 Intermediate panels

- Fire-resistant chipboard plating Spano AntiVlam 12 mm
- Position: 1 layer of plates applied to both sides
- Fixation: wood screws (4.0 x 25 mm) with centre-to-centre distance of 300 mm (screws at 20 mm from plate edge)

3.5 Finishing panels

- ClicWall® FR 10 mm fire-resistant MDF plates
- Position: 1 layer of plates applied to both sides
- Fixation: MS polymer dots on the underlying fire-resistant layers with centre-to-centre distance of 200 mm

5.6 ClicWall® with acoustic standardisation

- $R_w = 52\text{dB}$ ($C_w -4, C_{tr} -11$)
- See system installation EI60 fire resistance

5.7 Storage

ClicWall® panels have to be stored flat to prevent deformation. Have the panels acclimatise for 48 hours in unopened packaging at standard room temperature in the installation room. Only remove the packaging on the installation day.

The room and walls have to be dry and at room temperature. Ideal conditions are an ambient temperature of 15 to 20° C and relative humidity of 50-60%.

6. FAQ

What are the minimum dimensions of the substructures used?

For a wooden substructure slats of 92 x 45 mm.

Another possibility is the use of flat supports of 92 x 22 mm combined with battens/ceiling slats of 45 x 22 mm.

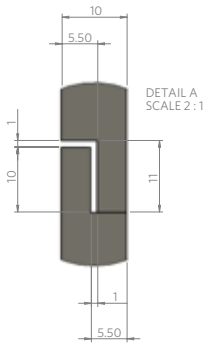
A third possibility is the single use of battens/ceiling slats directly on the wall. For this purpose we recommend battens of 45 x 22 mm.

As metal stud we recommend the standard metal stud of 75 x 50 mm or 50 x 50 mm.

What if you want to fit a wall, which is higher than 3,050 mm?

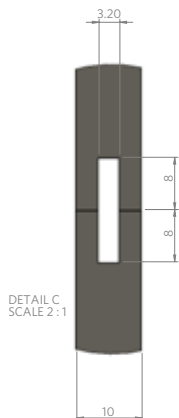
When 2 panels are fitted on top of one another, the following three techniques can be used:

1. Overlap joint



Cut the top of the bottom panel and the bottom of the top panel in an L-shape so that an overlap joint is created as shown on the figure. Fill the 1 mm cavity at the back with MS polymers.

2. Independent tongue and groove



Cut a groove in the short sides of the two panels as shown in the figure. To connect the two panels, a separate tongue can be used or individual Lamello biscuits.

3. Joint using Lamello biscuits

Cut a few cavities in the header end of the two panels using the Lamello hand-operated machine. Add Lamello biscuits (No. 10) into the cavities in the bottom panel and locate the top panel onto them.

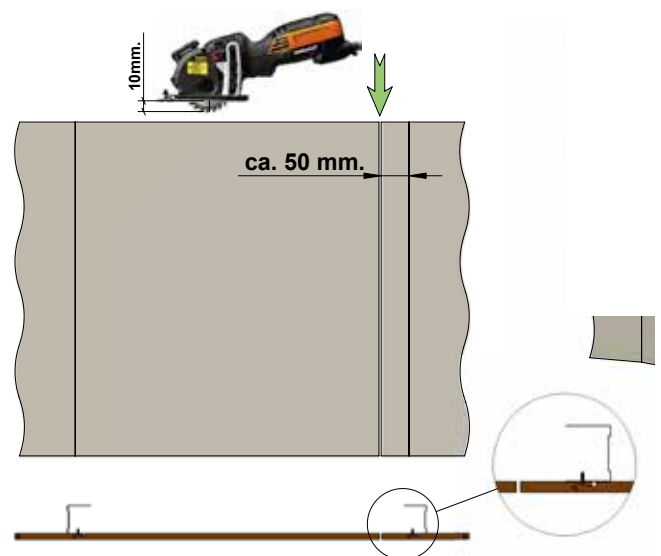


Wood is a natural product and has the property to expand and shrink. How can you be sure that it does not cause any problems?

Leave a 1 mm expansion joint per metre on the sides of the wall as well as at the bottom and top (with a minimum of 6 mm).

How to replace an assembled panel?

1. Saw the panel being replaced lengthwise up to the top and bottom until the horizontal metal stud and this 50 mm away from the joint on the grooved side.

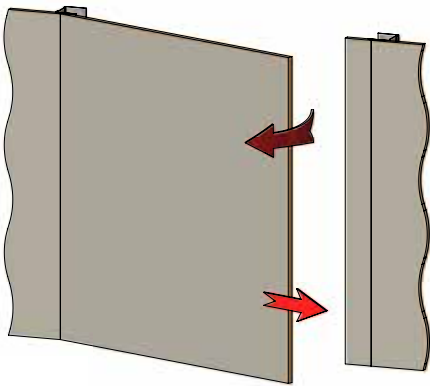


2. Continue to saw the upper and lower part of the panel at the horizontal studs using a multimaster so as not to damage the stud:

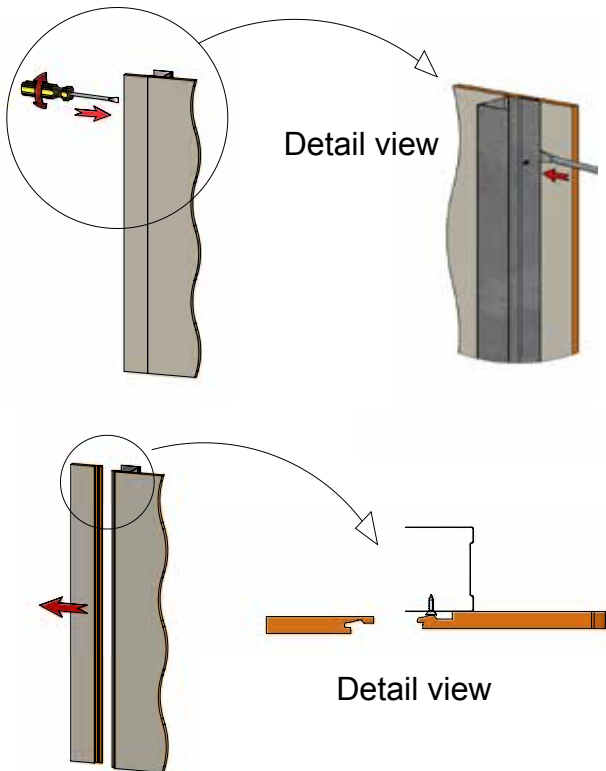


Multimaster

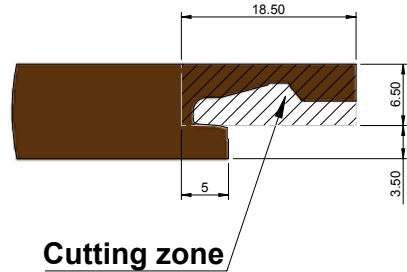
3. Remove the panel from the installation.



4. Remove the remaining piece on the grooved side by moving a screwdriver up and down between the stud and the panel in order to wiggle the screw out of the stud.



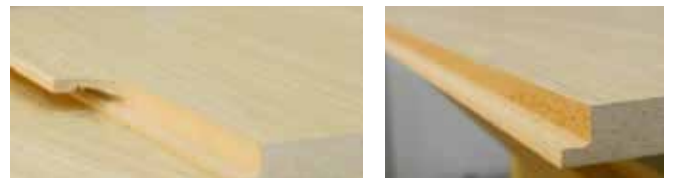
5. Take a new panel and saw the lip of the groove off using a router as illustrated below.



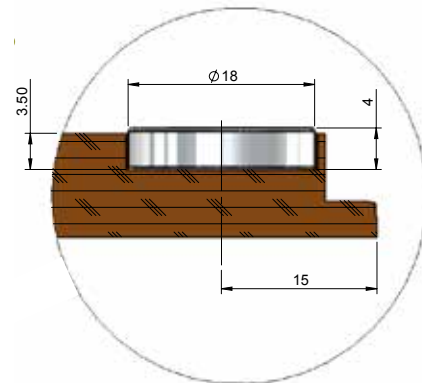
Cutting zone



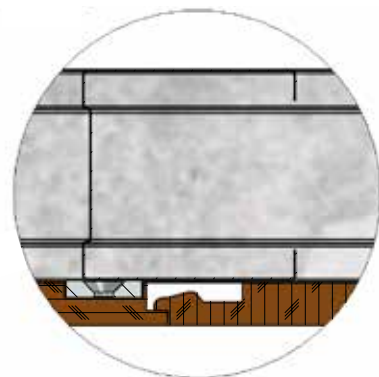
Router



6. Using a hinge cutter drill bit, drill a recessed hole in the rear surface next to the sawn grooved side as illustrated in the drawing. The circular magnets can be secured inside this to fasten the panel to the metal studs.



7. Re-fasten the panel into the wall. In so doing press the cut end firmly against the installation to create a nearly seamless finish.



What is the maximum length to be bridged without an expansion joint?

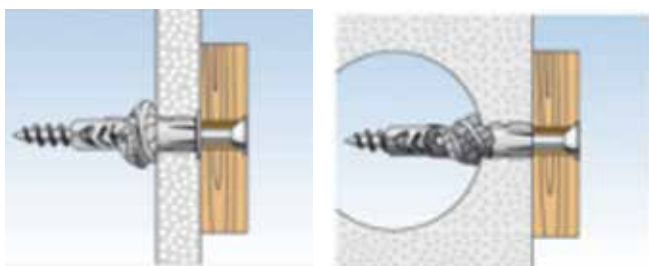
The maximum length is 8 metres. Insert an additional expansion joint after 8 metres. It can be finished in different ways: with elastic coloured silicone, with moulding, etc.

How much weight can you hang on a ClicWall® panel?

How should the object be hung?

ClicWall® can bear 50 kg of weight without any problems. It is important to use the correct plugs and screws. For this purpose we recommend Fischer Board fixing PD or Fischer Metal Cavity fixing HM. More information below in the illustrations or via

<http://www.fischer.nl/desktopdefault.aspx/tabid-2072/>



Which systems are available to attach shelves to a ClicWall®?

It is important to work with a build-on profile and not with an intermediate profile. Attach the profile to the joint where the ClicWall® tongue and groove are clicked into each other.

In this way you are sure that the profile is also fixed in the substructure and therefore extra strong. A great advantage of build-on profiles (in comparison with intermediate profiles) is that no dust can get behind the wall via the profiles.

In renovation moisture/water-repellent foils are regularly used between wall and wall construction (plasterboard wall). Is it also recommended with ClicWall®?

We certainly recommend it for outside walls. If a new wall is placed in front of an existing outside wall – with our without insulation – the use of a moisture barrier is highly recommended. Otherwise there is a great risk of moisture getting behind the new wall. Proper ventilation of the space is required here. In renovation insulation is often placed on the inside since the façade of buildings cannot or must not be changed. The great risk is that moisture from the home condenses on the inside of the exterior façade (cold surface) and thus moistens the insulation so that it starts to rot. Therefore it is best to use a moisture barrier to prevent this condensation. You are not only protecting the insulation, but also the finishing.

Can ClicWall® be placed behind heating systems?

If there is sufficient distance (3-5cm) between the panels and the heating system there is no problem whatsoever. Melamine panels are also used as radiator casing.

Can sockets, light switches or other fittings easily be mounted in ClicWall®?

With a hole saw you can easily bore holes to mount sockets or light switches. The same hole saws are used to install other electrical or sanitary provisions, e.g. for placing conduits, tubes, cables etc.).

How can you mount a hanging toilet or washbasin on ClicWall®?

It is necessary to reinforce the substructure with an OSB plate for example.

How many decors are there for ClicWall®?

ClicWall® is available in 10 decors + ClicWall® Deco from stock and 76 decors are available from an order of 160 panels.

Which acoustic standard is achieved by ClicWall®?

In the fire resistance installation (EI60) ClicWall achieves an acoustic comfort value of 52dB.

Can ClicWall® be made larger than the standard dimensions of 2785 mm x 600 mm x 10 mm?

The maximum production height is 3050 mm, the maximum width is 1000 mm. These non-standard dimensions depend on the volume and can be discussed with the sales department.

Can ClicWall® be produced on a watertight basis?

It is possible, but depends on the volume and has to be discussed with the sales department.

How are corners finished?

Inside corner:

- ClicWall® flexible profile
- Fill with sealant

Outside corner:

- ClicWall® flexible profile
- Saw in mitre joint
- Aluminium profile

Can ClicWall® be applied to the ceiling?

It is possible, on condition of finishing the short edges by the installer. In view of the size it is recommended to apply an elastic adhesive strip on the cross width of the panel to prevent bending.

How can you repair scratches in the panels?

Touch-up or filler pens in the same colour as the decorative finishes can be used to remove scratches from the panels. These are produced by, amongst others, Nypaco, Boco Chemie and FSG Schäfer GmbH. The latter has specific colour codes that match our decorative finishes:

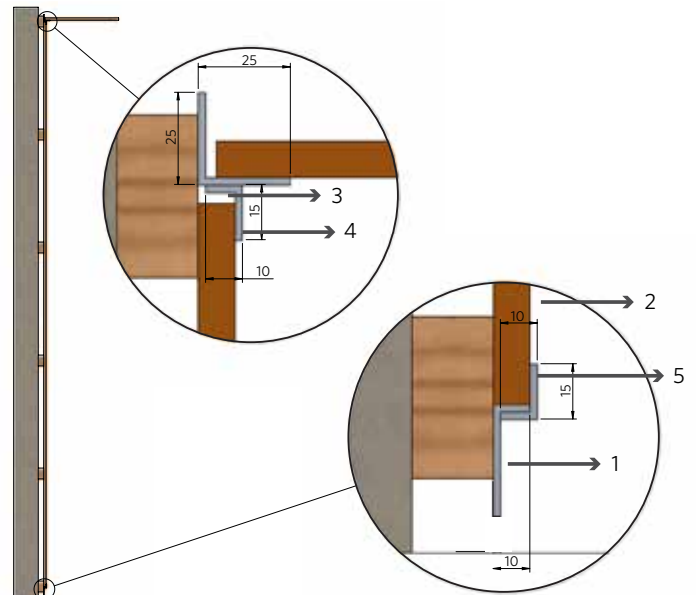
ClicWall decorative finishes	FSG colour code
0551 Jasmina	1187
H689 Amazonia Linewood	1412
025 W03 Soft White Linewood	1183
025 Soft White	1560
H339 Solara Oak	1149
U115 Otter Linewood	1779
F939 Brushed Metal	1778
625 Silicon	1140
F976 Granulo	1144
H387 Marne Oak	1578

What is the recommended assembly method?

In many cases the ceiling and floor will already have been installed when ClicWall is being installed. Where this is the case, aluminium profile sections can be used for both the joint with the ceiling and floor. For the joint with the floor, the profile section acts as an interior angled profile .

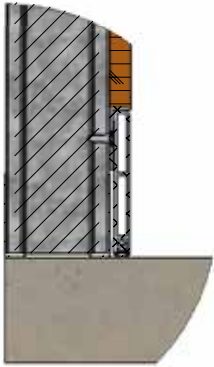
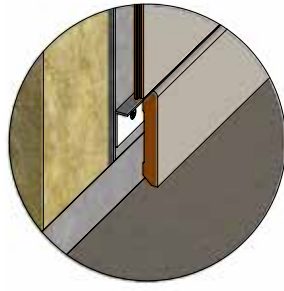
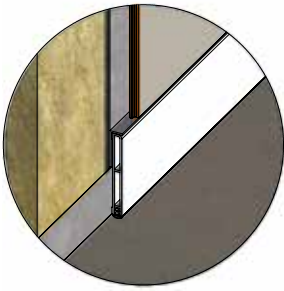
Let us go through the various steps for assembly:

1. Fasten an aluminium L-profile section at the base of the substructure.
2. Install the ClicWall panels, resting on the L-profile section. Fasten them into the substructure as illustrated in the drawing.
3. In so doing provide an expansion joint between the panels and the L-profile section to which the ceiling is fastened.
4. Finish the top edge with an L-profile section (15 x 10 x 2). To do so, use MS polymers to fasten the profile section.
5. The bottom can be finished with the same L-profile section as the top in which case the material is fastened with MS polymers.
6. Another alternative for finishing the bottom is to use a decorative or aluminium skirting board. This can be fastened in various ways:
 - a. Below the panel, adjoining the L-profile section
 - b. Below the panel providing space between the skirting board and the panel
 - c. In front of the panel thereby creating an overlap

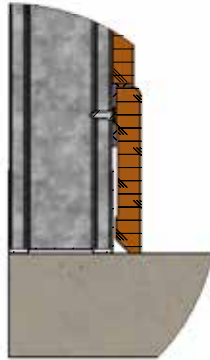


Can unfinished MDF be used as ClicWall for subsequent decorating?

This is not recommended due to the danger of moisture penetration through the unfinished surface. There is a risk that the moisture in the glue soaks into the unfinished board if the wallpaper is impermeable. This application therefore depends on the type of wallpaper but, in particular, also on the glue that is used for this purpose.



6a.



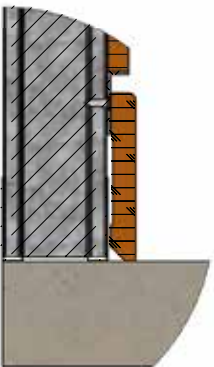
6a.



6b.



6c.



7. Product specifications

	Reference	Unit	Value
Fire reaction/Fire resistance/Acoustic			
Reaction to fire ClicWall® and ClicWall® Deco	EN13986 (Table 8)	Rating	D-s2-d0
Reaction to fire ClicWall® FR	EN13986 (Table 8)	Rating	B-S2-D0
Fire resistance EN	EN 1364-1:1999	EI	60
Acoustic ISO	ISO 17025:2500	R _w	52dB (C-4; C _{tr} -11)
Sheet			
EN13986			
Bending strength	EN310	N/mm ²	22
Modulus of elasticity	EN310	N/mm ²	2500
Tensile strength	EN319	N/mm ²	0,6
Swelling after 24hrs	EN317	%	17
Formaldehyde content	EN120	mg/100g dry	(E1) ≤ 8
Water vapour permeability	EN13986 (Table 9)	μ	12(wet) / 20(dry)
Sound insulation	EN13986 (Chp 5.10)	Db	R= 13*lg(ma)+14
Sound absorption	EN13986 (Table 10)	Coefficient	0,10 (250-500Hz)/ 0,20 (1000-2000Hz)
Thermal conductivity	EN13986 (Table 11)	λ	0,1
Biological durability	EN335-3	Rating	Class 1
Pentachlorophenol	EN13986 (Chp 5.18)	ppm	< 5
MDF			
EN622-2			
<i>Fibreboard (MDF)-Requirements</i>	<i>EN622-2</i>		
Tolerance on the mean density	EN323	%	± 7
<i>Fibreboard (MDF)-Additional</i>			
<i>EN622-5</i>			
Density	EN323	kg/m ³	760
Moisture content	EN323	%	6 ± 2
Melamine sheets internal use			
EN14323			
<i>Melamine sheets - Requirements</i>	<i>EN14323</i>		
Thickness tolerance compared with normal value	EN14323	mm	± 0,2
Thickness tolerance	EN14323	mm	tmax-tmin ≤ 0,6
Length tolerance	EN14323	mm	± 1
Width tolerance	EN14323	mm	± 0,5
Flatness	EN14323	mm/Lm	≤ 2
Damage: short edges	EN14323	mm	< 3
Damage: tongue & groove	EN14323	mm	0
Surface blemishes (points)	EN14323	mm	≤ 2
Surface blemishes (lines)	EN14323	mm / m ³	≤ 20
Scratch resistance	EN14323	N	≥ 1,5
Stain resistance	EN14323	Rating	≥ 3
Crack resistance	EN14323	Rating	≥ 3
ClicWall® supplier Specific requirements			
UNILIN			
Tolerance on seamlessness (decorative side)	UNILIN	mm	< 0,1

8. Terms of the guarantee

ClicWall® Uniclic® wall-cladding panels.

The legal guarantee in the country or state of purchase is applicable to the above-mentioned products without limit. In addition, UNILIN bvba also guarantees from the date of purchase that its ClicWall® Uniclic® wall-cladding panels are free of any manufacturing or material defects. This guarantee is valid for 10 years for the product and 10 years for the Uniclic® wall-cladding panel links - see conditions below. The date of purchase is the invoice date. The original, dated purchase invoice, stamped by the distributor or retailer, must be submitted. The ClicWall® Uniclic® guarantee can only be invoked if all the following conditions are met. Consult the manufacturer, distributor or retailer in case of doubt.

1. This guarantee is only applicable to the first owner and the first installation of the product and is not transferrable. The first owner is taken to be the person mentioned as the buyer on the purchase invoice. This guarantee is applicable to all purchases of high-grade ClicWall® Uniclic® products after the date of publication of these guarantee terms (see below).

2. This product guarantee only applies to inherent defects in the material delivered. Inherent defects are all material or production faults that are acknowledged by the manufacturer. UNILIN bvba will decide whether to repair or replace the product. If it is agreed to replace the wall-cladding panel, only new panels from the range that are in stock at the moment the complaint is accepted will be delivered by the distributor or retailer. There will be no other form of compensation.

3. The guarantee on the Uniclic® link is only valid for open links wider than 0.1 mm.

4. The ClicWall® Uniclic® product must be installed according to the ClicWall® Uniclic® installation method. Proof must be submitted that the installation and maintenance instructions have been adhered to as recommended by the manufacturer. These instructions can be found on the back of the packaging label. If there are no instructions, they should be requested from the manufacturer or distributor/retailer. If the installation is not carried out by the end user, the installer must hand at least one copy of the installation and maintenance instructions, as well as the guarantee terms (on the back of the packaging label) to the end user.

5. The ClicWall® Uniclic® guarantee is only valid for indoor installations.

6. Damage to the product must be obvious and at least 1 cm² in size per product unit (panel, accessory, etc.), and may not be the result of incorrect use or accidents, but not limited to damage of a mechanical nature, such as heavy impacts, scratches or gouges.

7. The liability arising from this guarantee is limited to:

- Hidden defects. These are defects that were not visible before or during installation of the wall panels.
- The costs of removing and replacing the material are covered by the buyer. If the product was installed originally by a professional, UNILIN bvba will cover reasonable labour costs.
- UNILIN bvba can never be held liable for any secondary damage.

8. The wall panels should not be installed in moist and/or humid conditions, in extremely dry areas or in areas that are subject to high temperatures (e.g. saunas).

9. Residual moisture on the wall, cleaning with too much water or the use of the wrong cleaning agents should all be avoided.

10. The wall panels should be checked carefully for material defects before and during installation. Products with visible defects should not be installed under any circumstances. The distributor should be informed in writing of such defects within 15 days. Once this period has expired, no more complaints will be accepted. UNILIN bvba can in no way be held liable for any loss of time, inconvenience, expenses, costs, or other damages caused by or occurring as a direct or indirect result of a problem for which a claim is submitted.

11. UNILIN bvba offers no other guarantees, explicitly or implicitly, than those described in this document, including guarantees of saleability or suitability of the product for a specific purpose, and no other solutions will be available than those specified in this document. In some countries the exclusion or restriction of incidental or consequential damage is prohibited, in which case the above-mentioned restrictions or exclusions may not be applicable to you.

12. The general guarantee and the Uniclic® guarantee are both pro rata. A pro-rata guarantee is a guarantee whereby the reimbursement or the credit decreases as the guarantee period passes. The value of the original ClicWall® guarantee is reduced by the time that you have been in possession of the product. When a damage claim is submitted, the value of the guarantee is calculated as a percentage of the ownership based on 10 years.

The services provided in the context of this guarantee do not extend the original guarantee period. This guarantee does not cover damage to the product that is caused by:

- Installation errors. The ClicWall® Uniclic® product must be installed according to the ClicWall® Uniclic® installation method.
- Accidents, misuse or incorrect use, such as scratches, dents, cavities or damage caused by abrasive materials, caused by the contractor, a service company or the end user.
- Exposure to extreme temperatures
- Water damage
- Incorrect maintenance

No other guarantees are offered either explicitly or implicitly, including the saleability or suitability for a specific purpose. UNILIN bvba is not responsible for labour costs, installation costs or similar costs. Consequential damage, exceptional damage and incidental damage are not covered by this guarantee. In some countries the exclusion or restriction of incidental or consequential damage is prohibited, in which case the above-mentioned restrictions or exclusions may not be applicable to you.

This guarantee gives you specific legal rights but it is possible that you have additional rights that may vary from one country to another.

For service under this guarantee, please contact your local ClicWall® retailer.

ClicWall® is a product from UNILIN panels division, part of the UNILIN group.
UNILIN forms part of the American company MOHAWK INDUSTRIES, INC. UNILIN comprises:

UNILIN, flooring division (laminated, parquet and LIVYN)

UNILIN, panels division (boards, decorative panels and finished products)

UNILIN, insulation division (roofing elements and insulation panels)

UNILIN stands for (r)evolution. Thanks to continuous innovation, investing in design, research & development and the latest technologies, our divisions have developed into top players. Our success is based on the UNILIN spirit underlying our mission: we create beautiful and convenient quality products for your home.



UNILIN bvba, division panels
Ingelmunstersteenweg 229, 8780 Oostrozebeke - Belgium
T +32 56 66 70 21 - F +32 56 66 82 25 - info.panels@unilin.com - www.unilinpanels.com