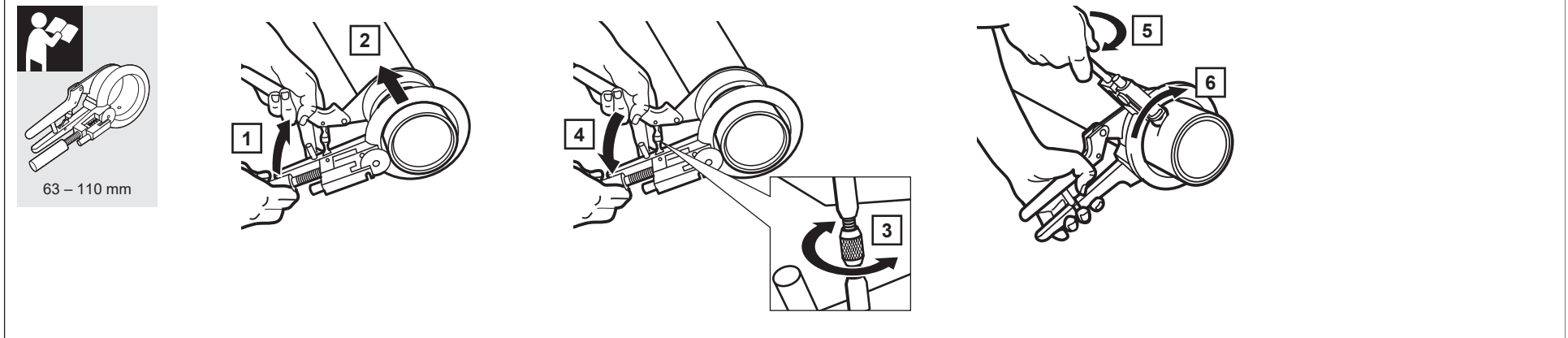
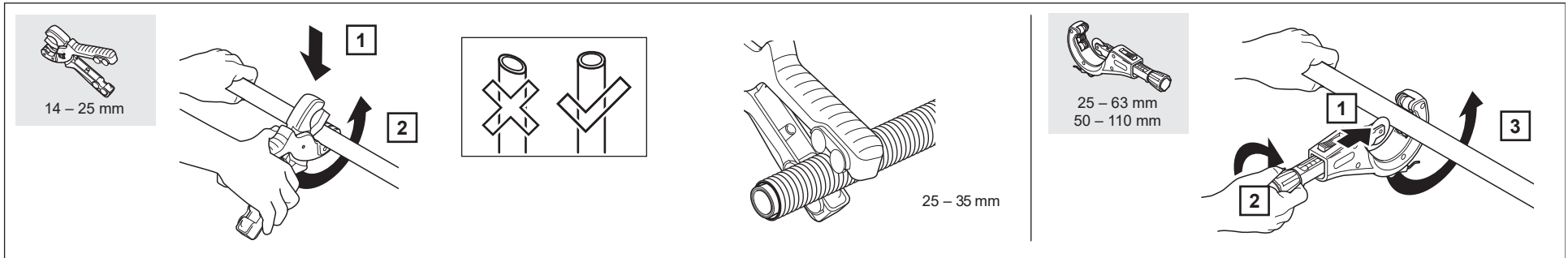
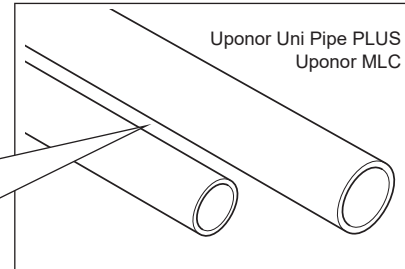
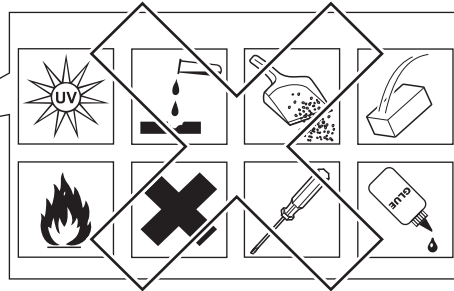
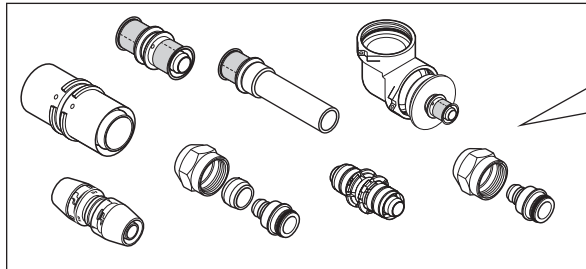
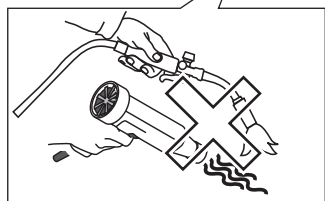
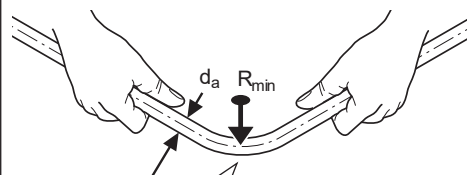
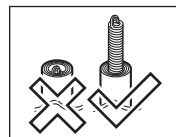


Uponor Uni Pipe PLUS 16–32 mm, Uponor MLC 14 mm und 40–110 mm

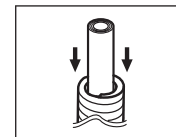
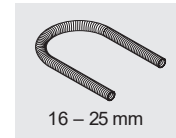




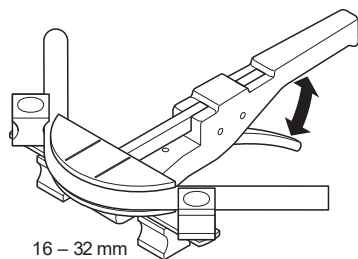
d_a [mm]	R_{min} [mm]	
16	64	64
20	80	80
25	125	125
32	160	-



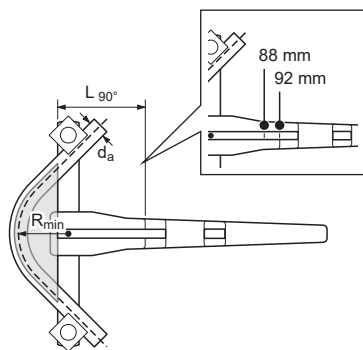
d_a [mm]	R_{min} [mm]	
16	48	48
20	60	60
25	75	75
32	96	-



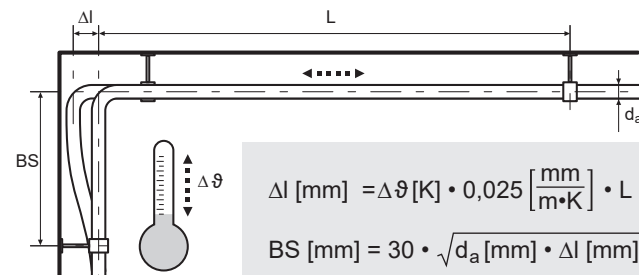
d_a [mm]	R_{min} [mm]	
16	48	48
20	60	60
25	75	75



16 - 32 mm

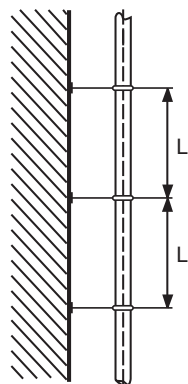
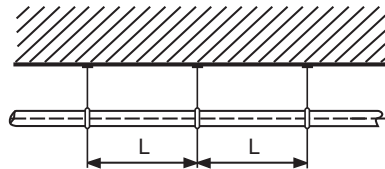


d_a [mm]	R_{min} [mm]		L_{90° [mm]
16	32	32	92
20	40	40	88
25	62,5	62,5	92
32	80	80	88



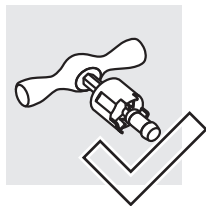
$$\Delta l \text{ [mm]} = \Delta\theta \text{ [K]} \cdot 0,025 \left[\frac{\text{mm}}{\text{m} \cdot \text{K}} \right] \cdot L \text{ [m]}$$

$$BS \text{ [mm]} = 30 \cdot \sqrt{d_a \text{ [mm]} \cdot \Delta l \text{ [mm]}}$$



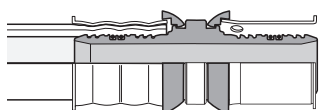
Pipe dimension $d_a \times s$ [mm]	Maximum fastening distance between the pipe clamps L [m]		
	Coil	Bar	vertical
14 × 2.0	1.20	-	1.70
16 × 2.0	1.20	2.00	2.30
20 × 2.25	1.30	2.30	2.60
25 × 2.5	1.50	2.60	3.00
32 × 3.0	1.60	2.60	3.00
40 × 4.0	-	2.00	2.20
50 × 4.5	-	2.00	2.60
63 × 6.0	-	2.20	2.85
75 × 7.5	-	2.40	3.10
90 × 8.5	-	2.40	3.10
110 × 10.0	-	2.40	3.10



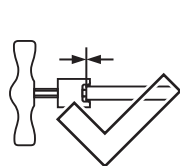


optional

16 – 32 mm



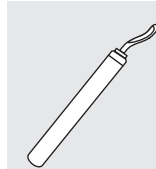
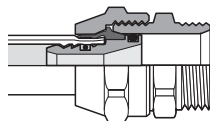
S-Press PLUS
S-Press PLUS PPSU



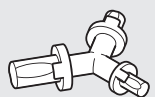
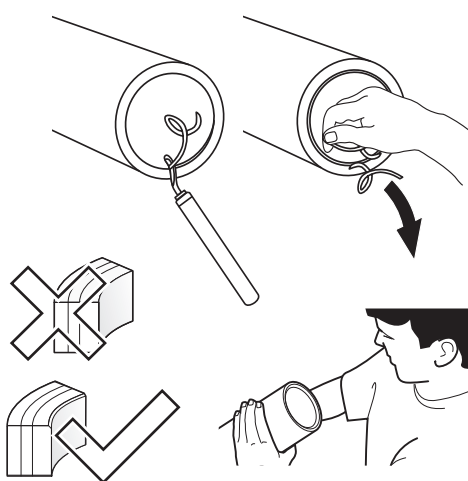
16 – 32 mm

S-Press

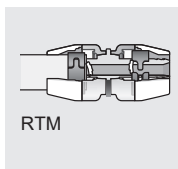
16 – 25 mm



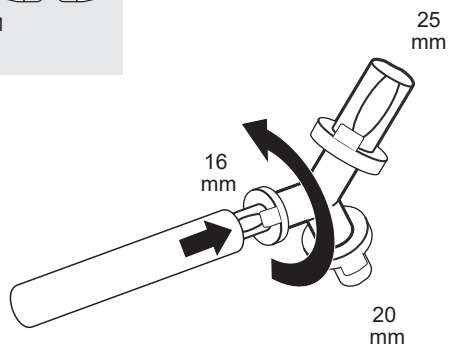
40 – 110 mm



16 – 25 mm

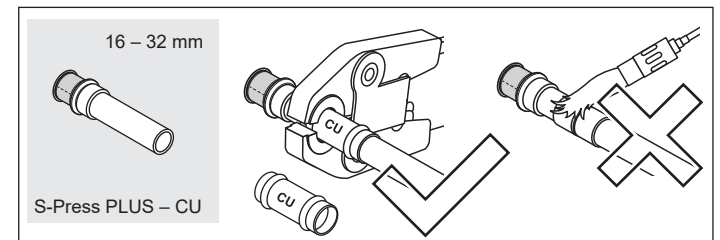
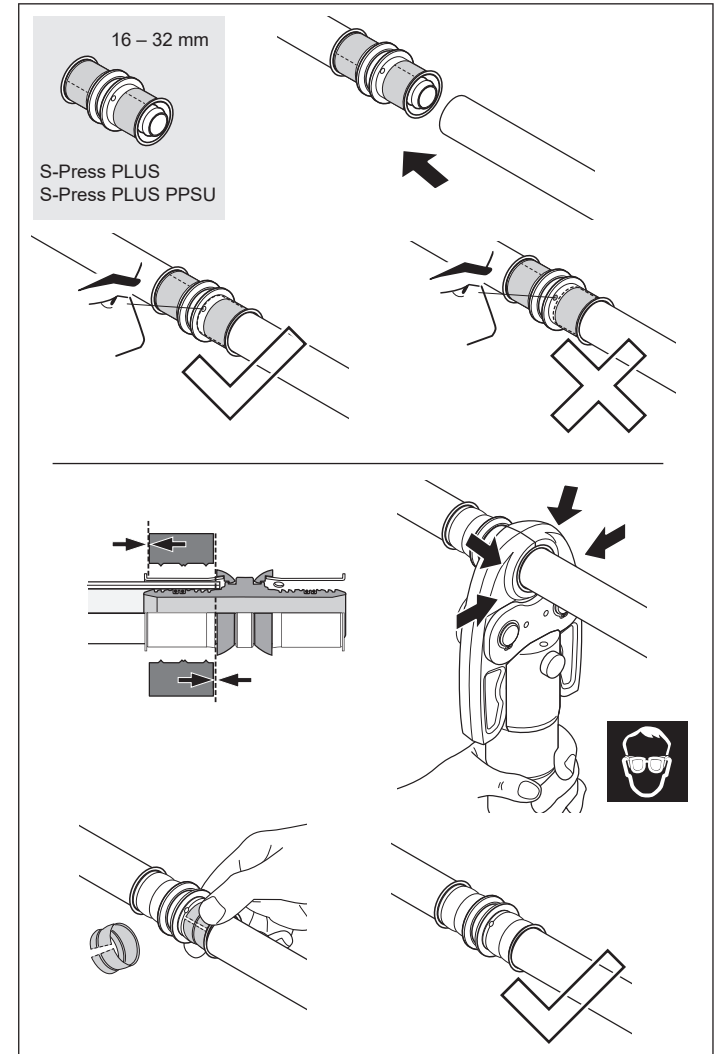


RTM

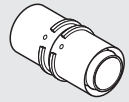




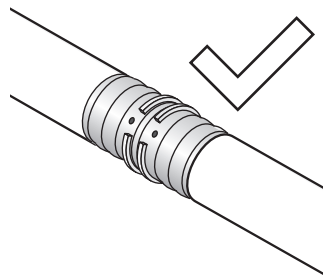
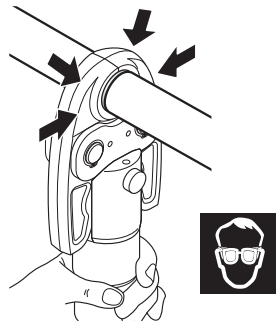
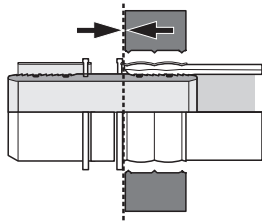
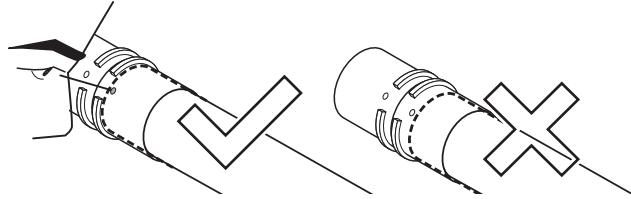
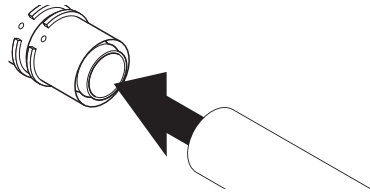
		UP110 UP75 	UP75 EL 	Mini2 Mini 		
		UPP1 	UPP1 			
 S-Press PLUS S-Press PLUS PPSU	16 – 20	16 – 32	–	–	16 – 32	–
 S-Press	14 – 20	14 – 32	–	–	14 – 32	–
 S-Press S-Press PPSU	–	–	40 – 50	63 – 75	–	–
 RS	–	 16 – 32	 40 – 50	 63 – 110	 16 – 32	–
 Uni	–	–	–	–	–	14 – 25
 RTM	–	–	–	–	–	16 – 25



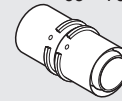
40 – 50 mm



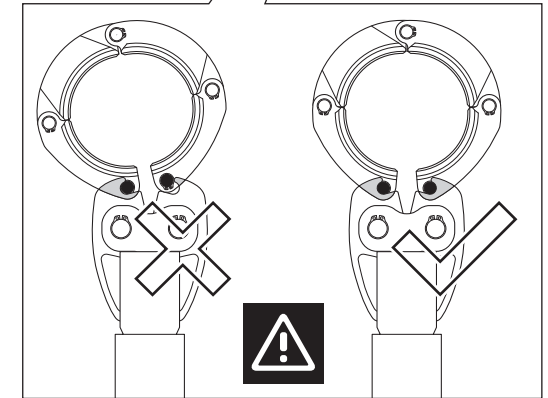
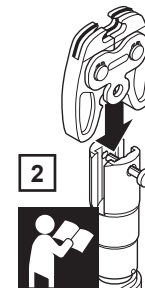
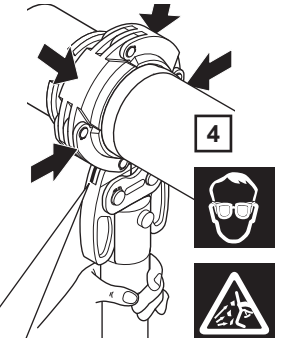
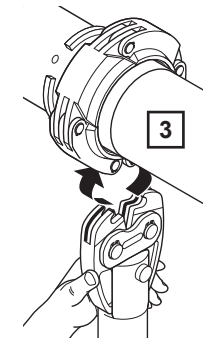
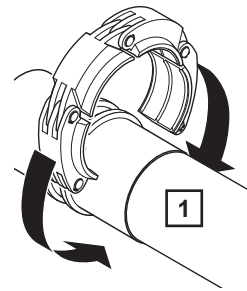
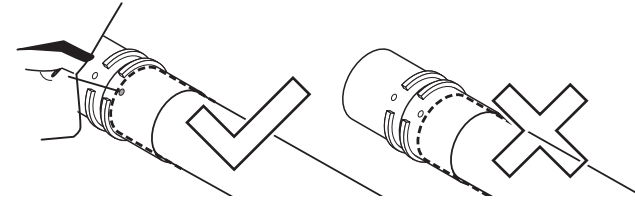
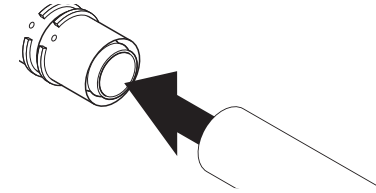
S-Press
S-Press PPSU

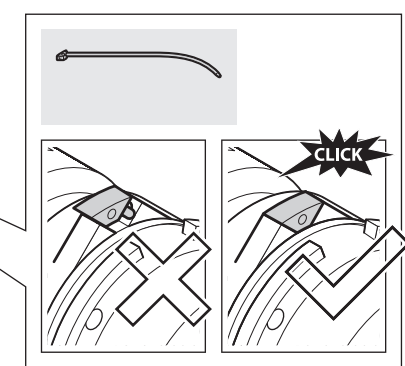
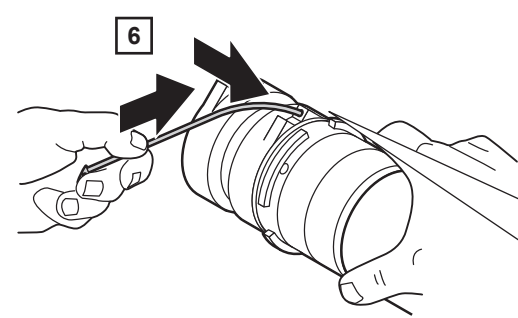
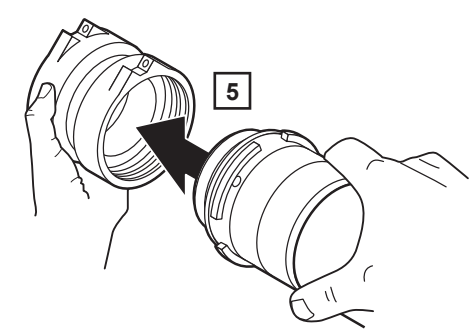
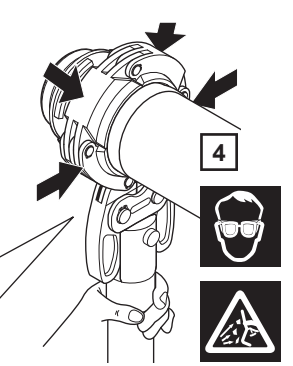
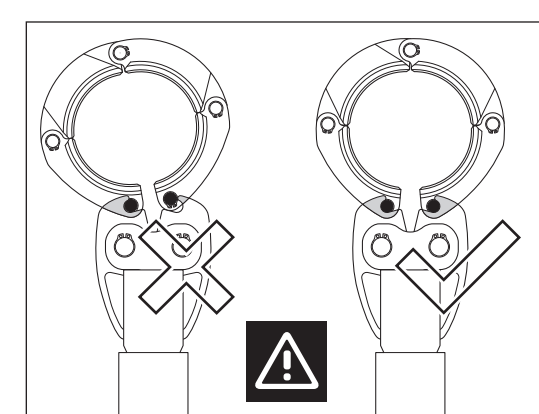
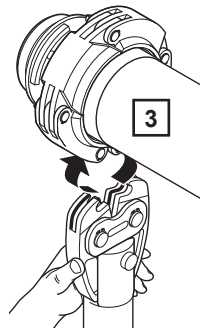
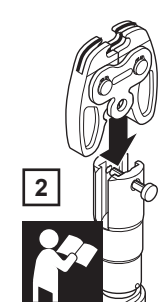
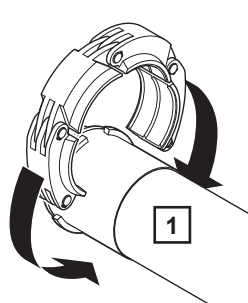
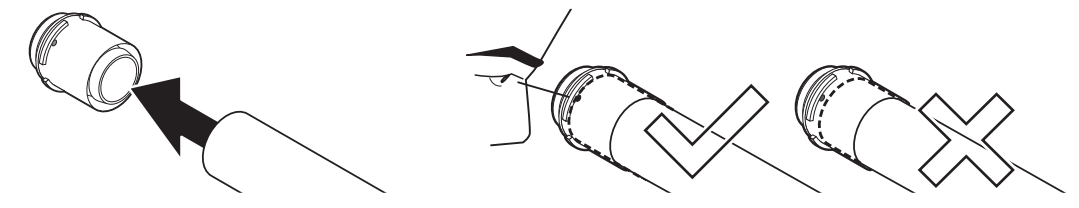
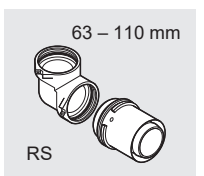


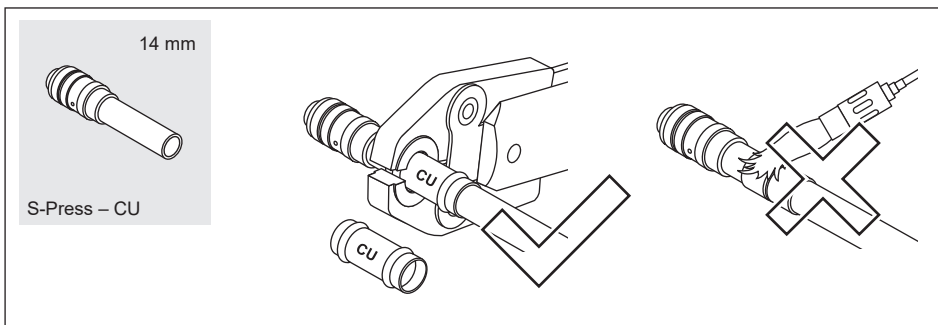
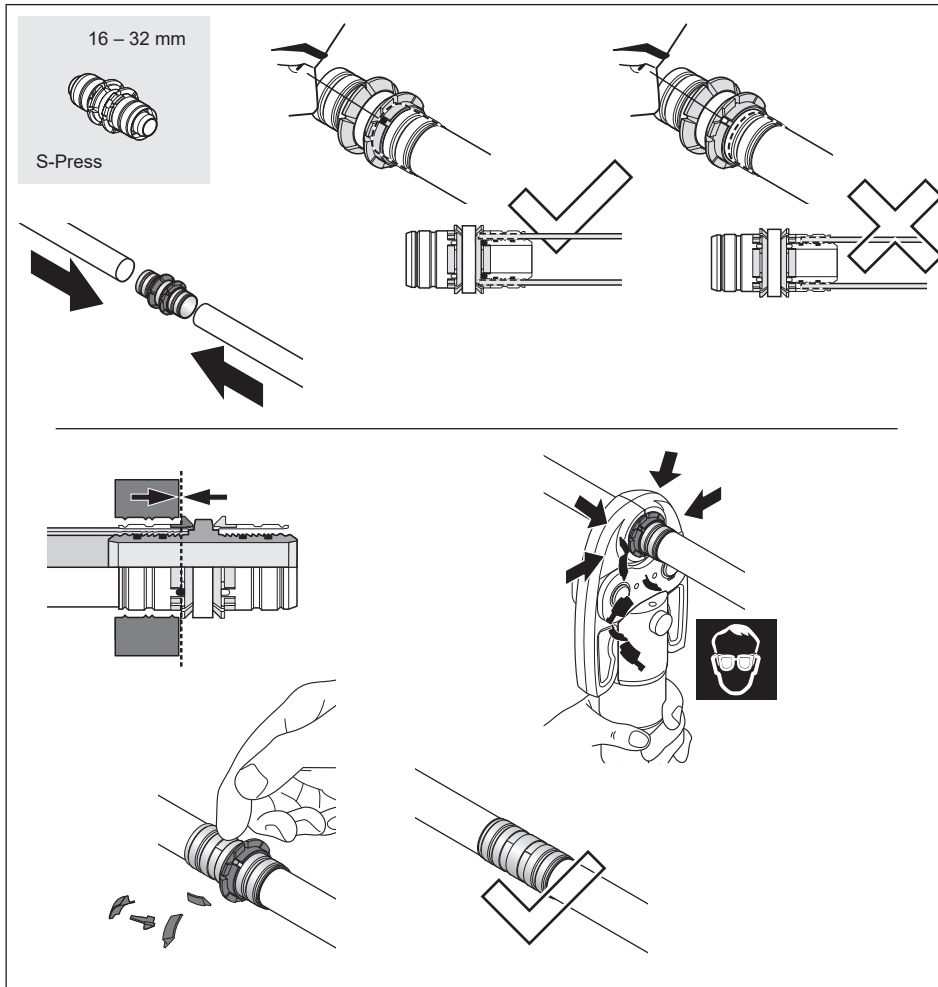
63 – 75 mm



S-Press PPSU







16 – 25 mm

Metal

1

Fitting Dim.	X [mm]	Fitting Dim.	X [mm]
16 – 1/2"	8	16 – 3/4"	10
20 – 1/2"	10	20 – 3/4"	10
		25 – 3/4"	11

Fitting Dim. [mm]	X [mm]	Fitting Dim.	X [mm]
NL 14 – 15	8	16 – M 22	9
NL 16 – 15	8	16 – M 24	9
NL 20 – 22	10	16 – 1/2"	9
NL 25 – 22	14	Geberit	

2

3

4

