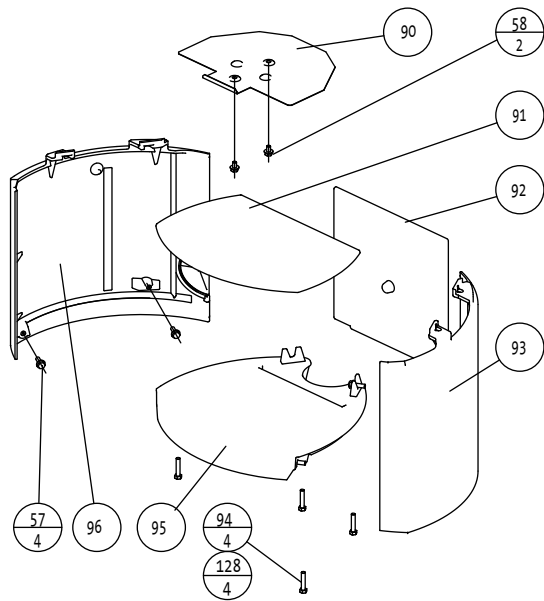
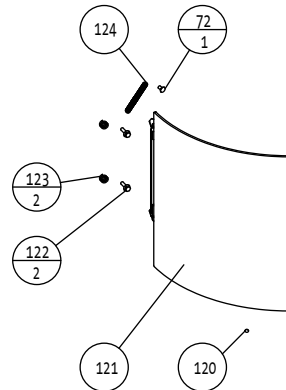


xx - Position number
yy - Quantity

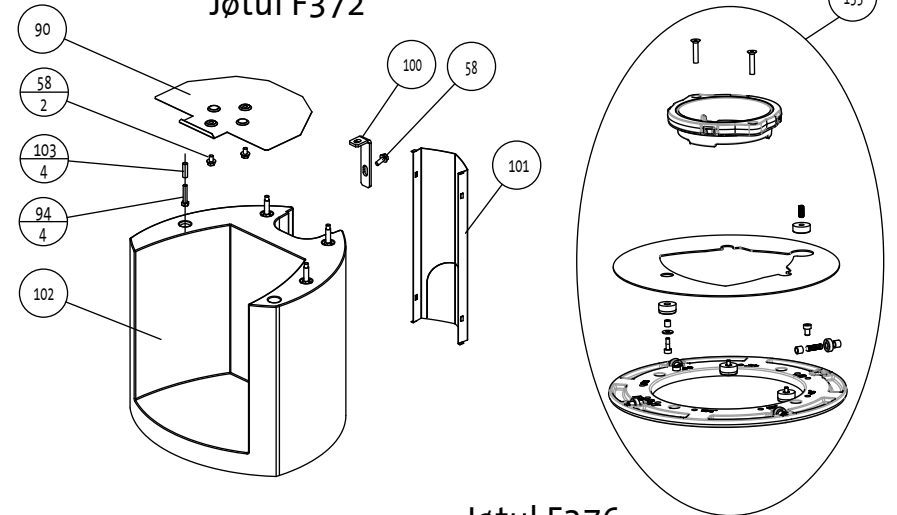
Delliste \ part list, Jøtul F 370		
Jøtul AS Fredrikstad Norway	Draw. no: 3-3391-P17 Sheet 1/5	Date: Nov. 12



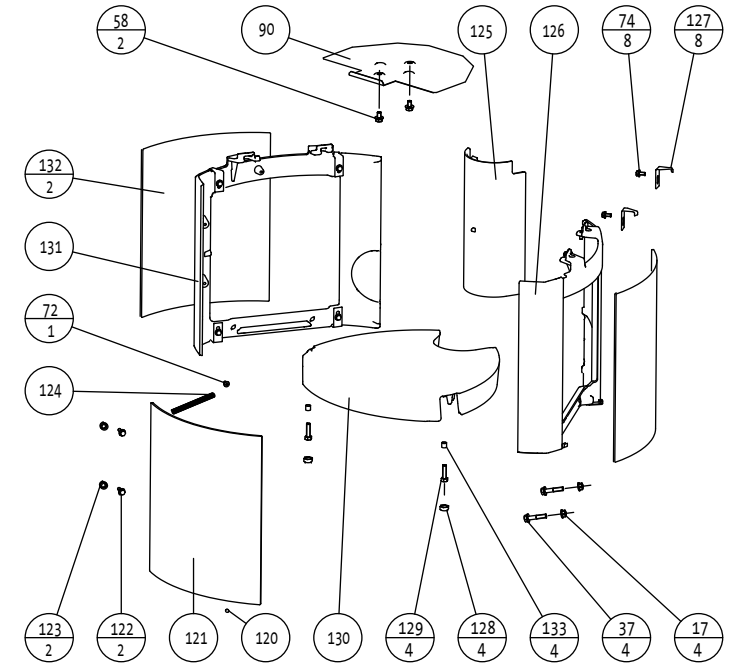
Jøtul F371/F375



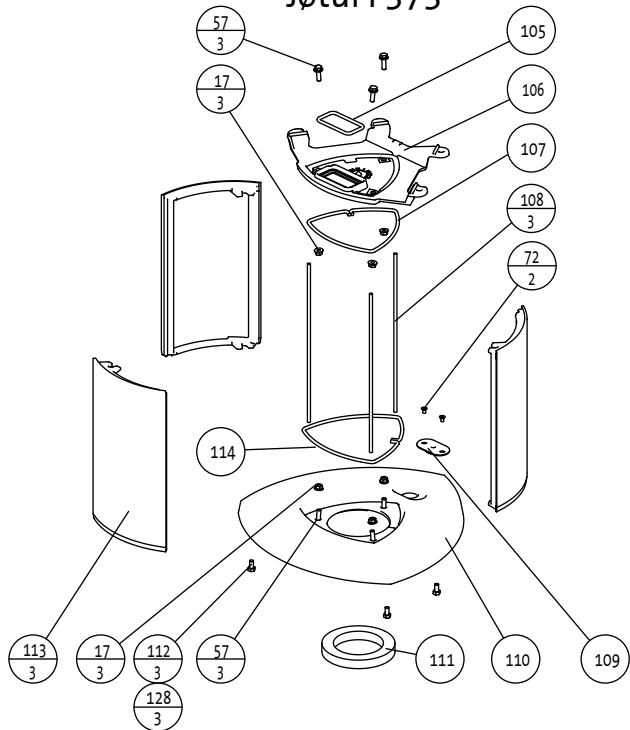
Jøtul F372



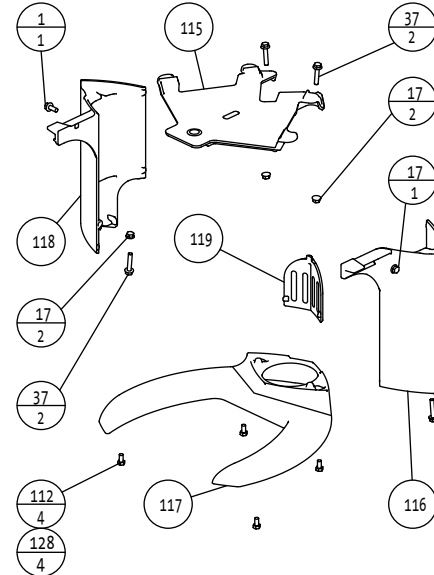
Jøtul F376



Jøtul F373



Jøtul F374



xx — Position number
yy — Quantity

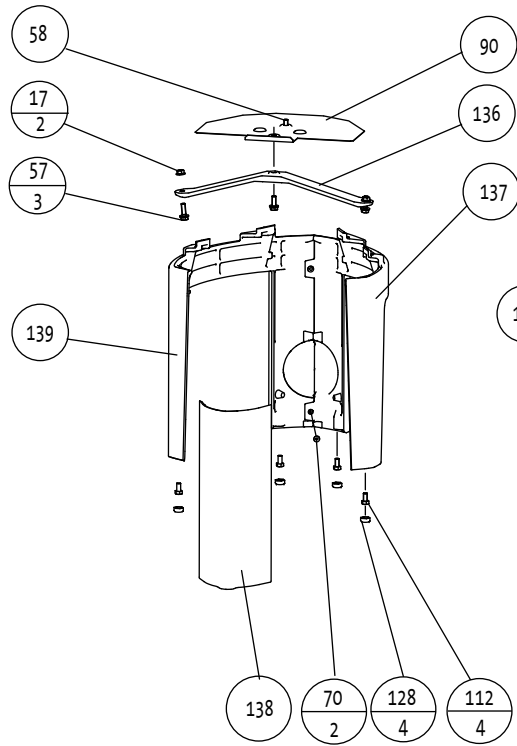
Delliste \ part list, Jøtul F 370

Jøtul AS
Fredrikstad Norway

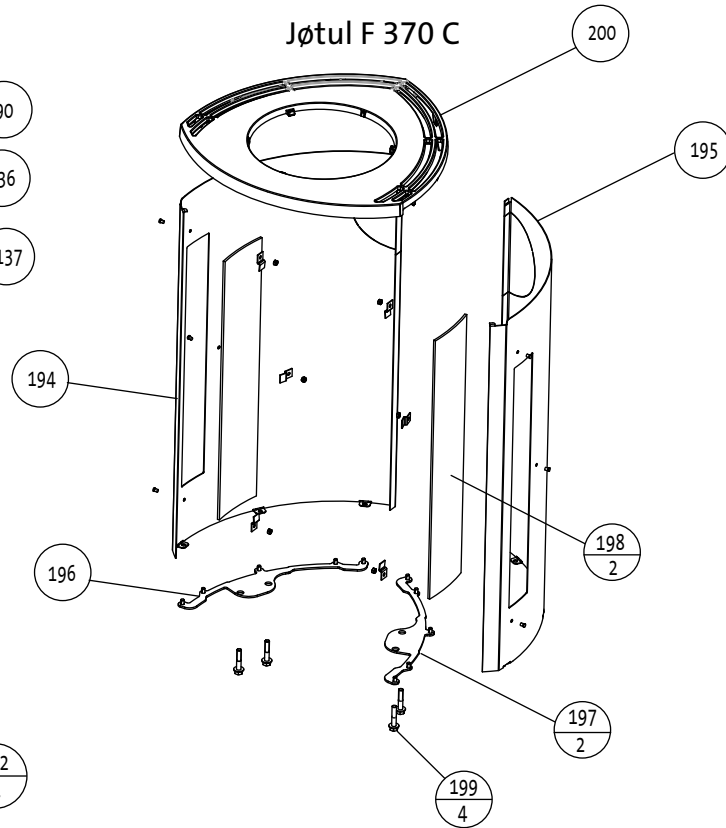
Draw. no: 3-3391-P17
Sheet 2/5

Date: Nov. 12

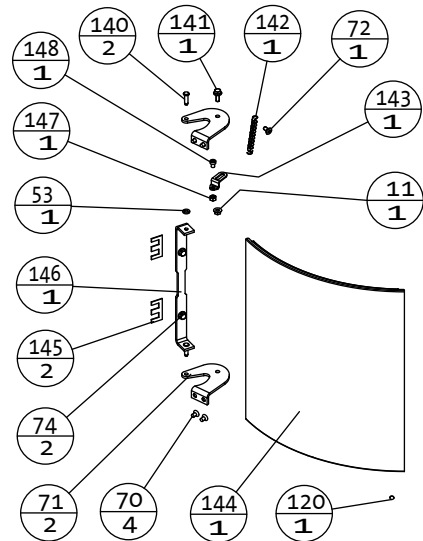
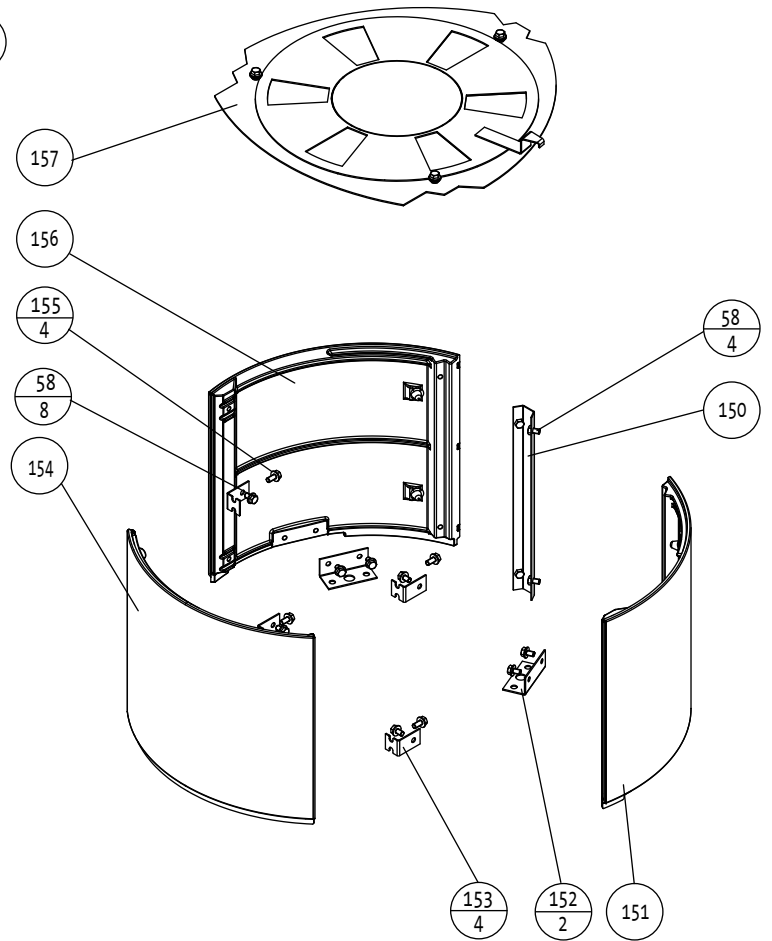
Jøtul F 379



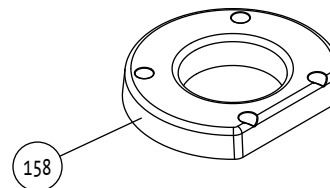
Jøtul F 370 C



High Top



Heat Accumulating



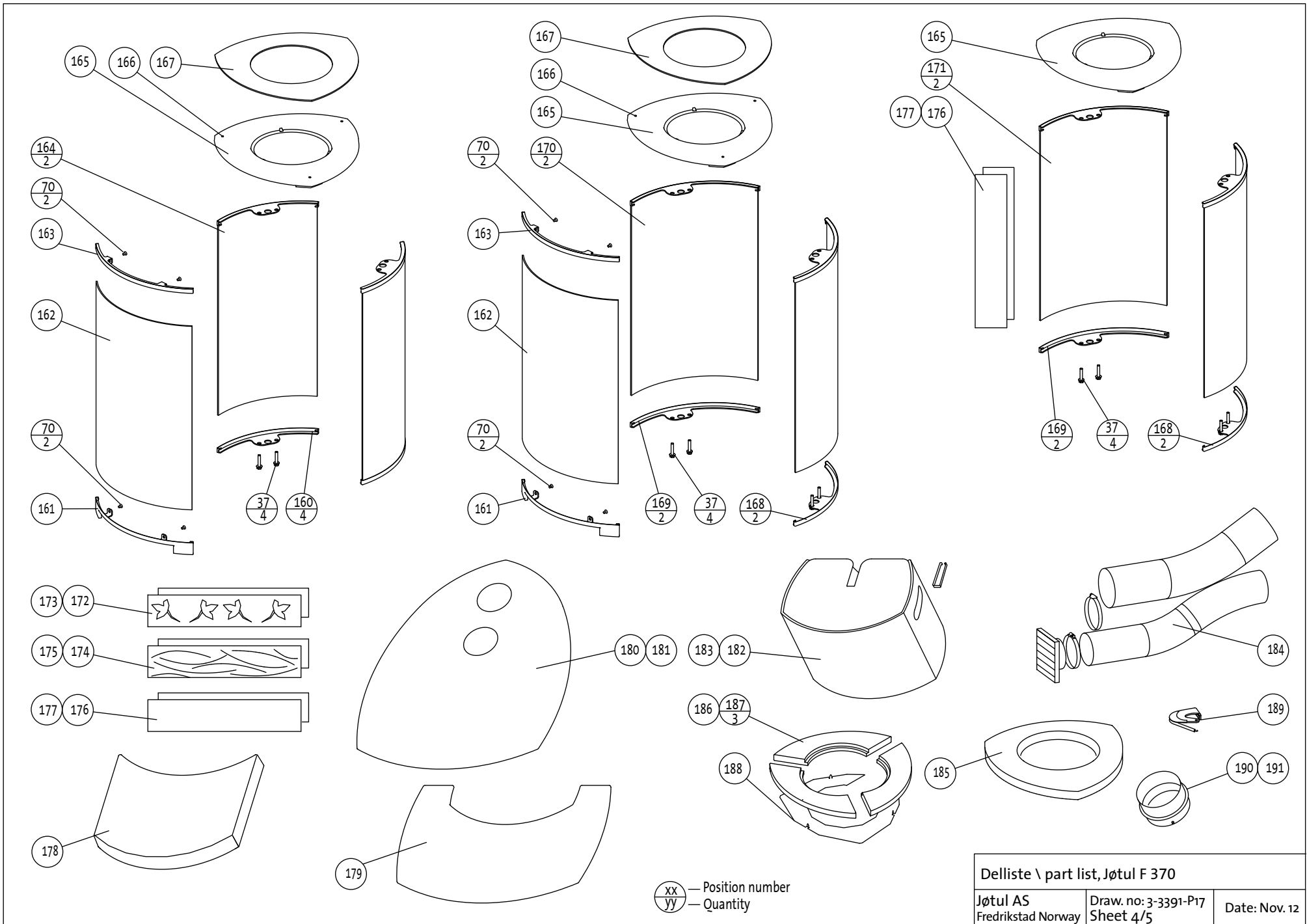
xx — Position number
yy — Quantity

Delliste \ part list, Jøtul F 370

Jøtul AS
Fredrikstad Norway

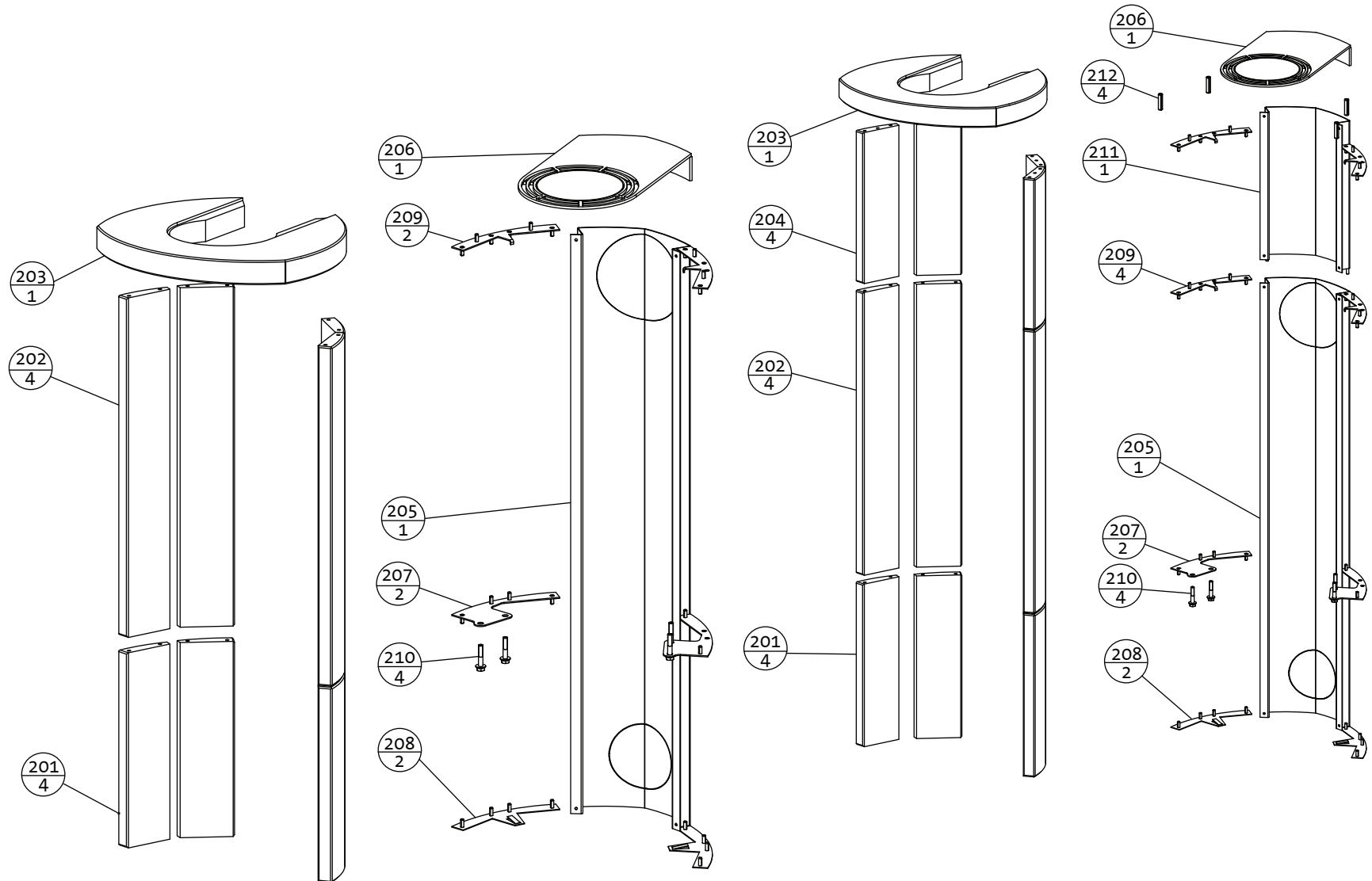
Draw. no: 3-3391-P17
Sheet 3/5

Date: Nov. 12



Delliste \ part list, Jøtul F 370		
Jøtul AS Fredrikstad Norway	Draw. no: 3-3391-P17 Sheet 4/5	Date: Nov. 12

$\frac{xx}{yy}$ — Position number
 $\frac{yy}{xx}$ — Quantity



xx - Position number
yy - Quantity

Delliste \ part list, Jøtul F 370		
Jøtul AS Fredrikstad Norway	Draw. no: 3-3391-P17 Sheet 5/5	Date: Nov. 12