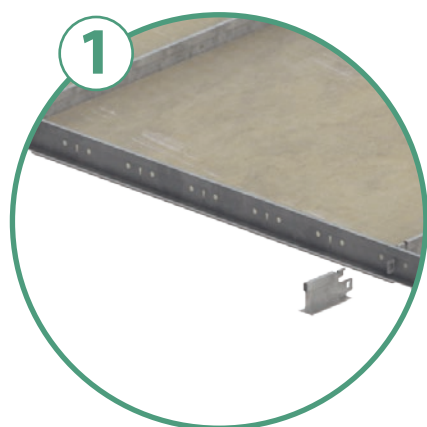
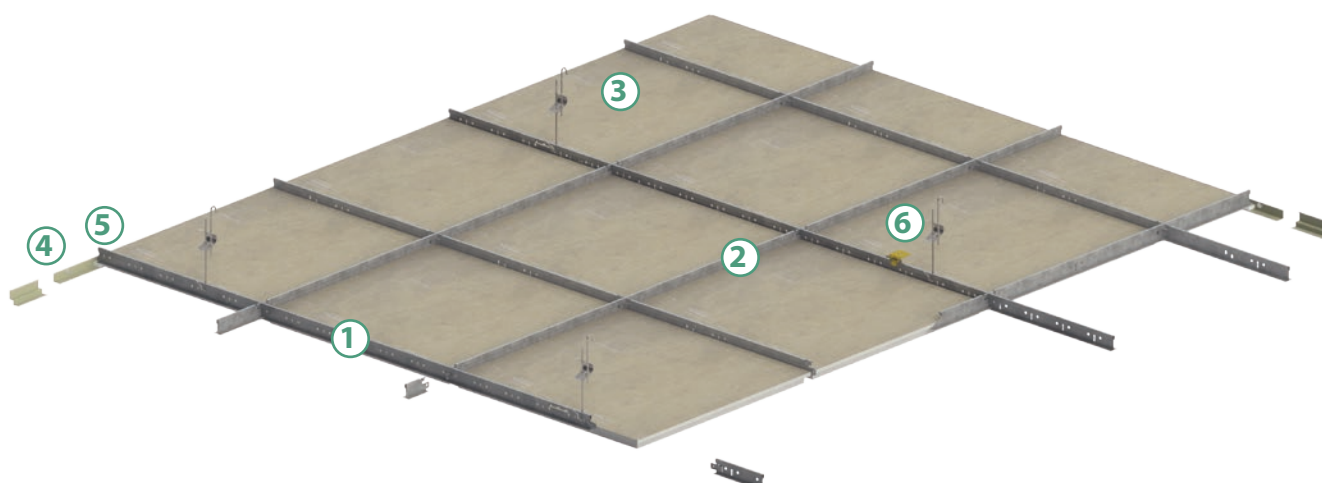
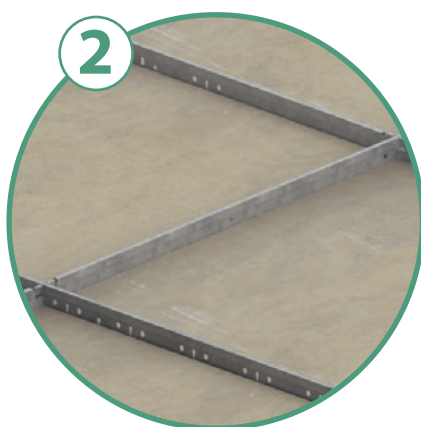


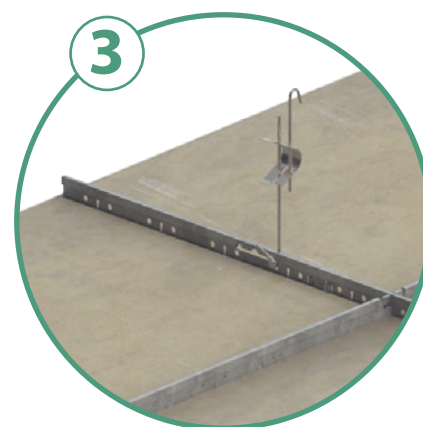
Chicago Metallic T24



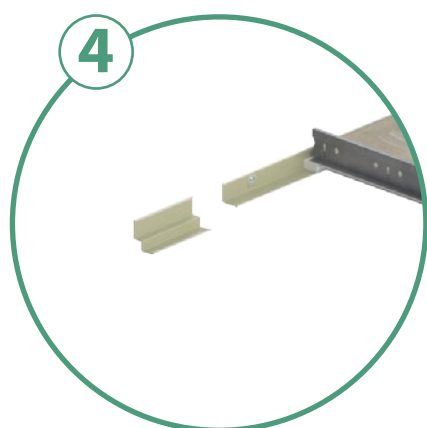
Bæreprøfil



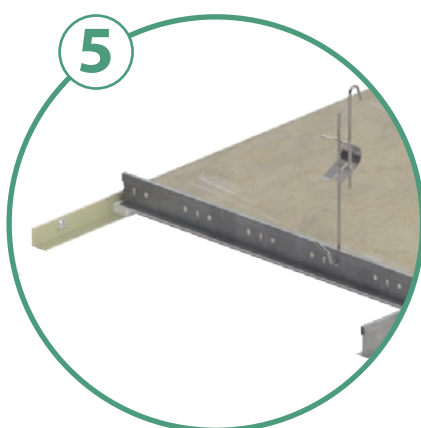
Tverrprøfil 600/1200 mm



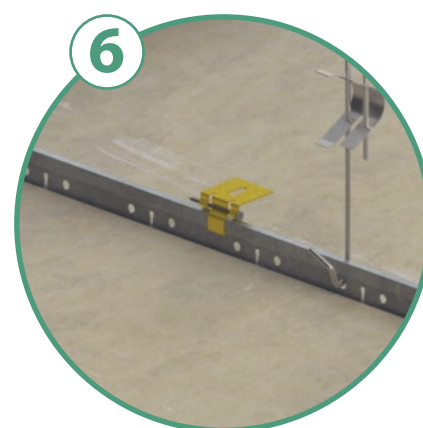
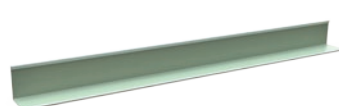
Pendel



Skyggefugelist



Kantprøfil

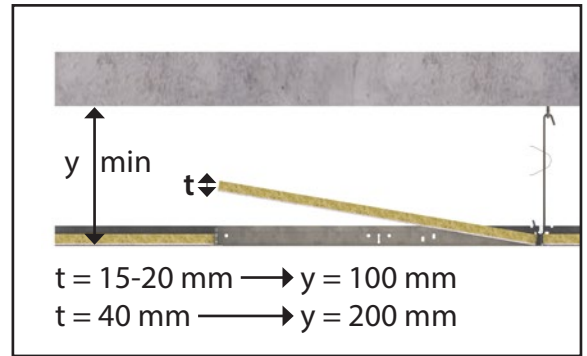
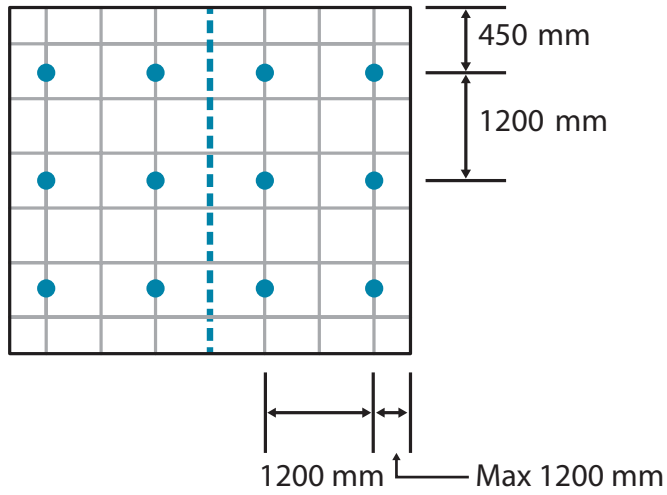


Direktefeste

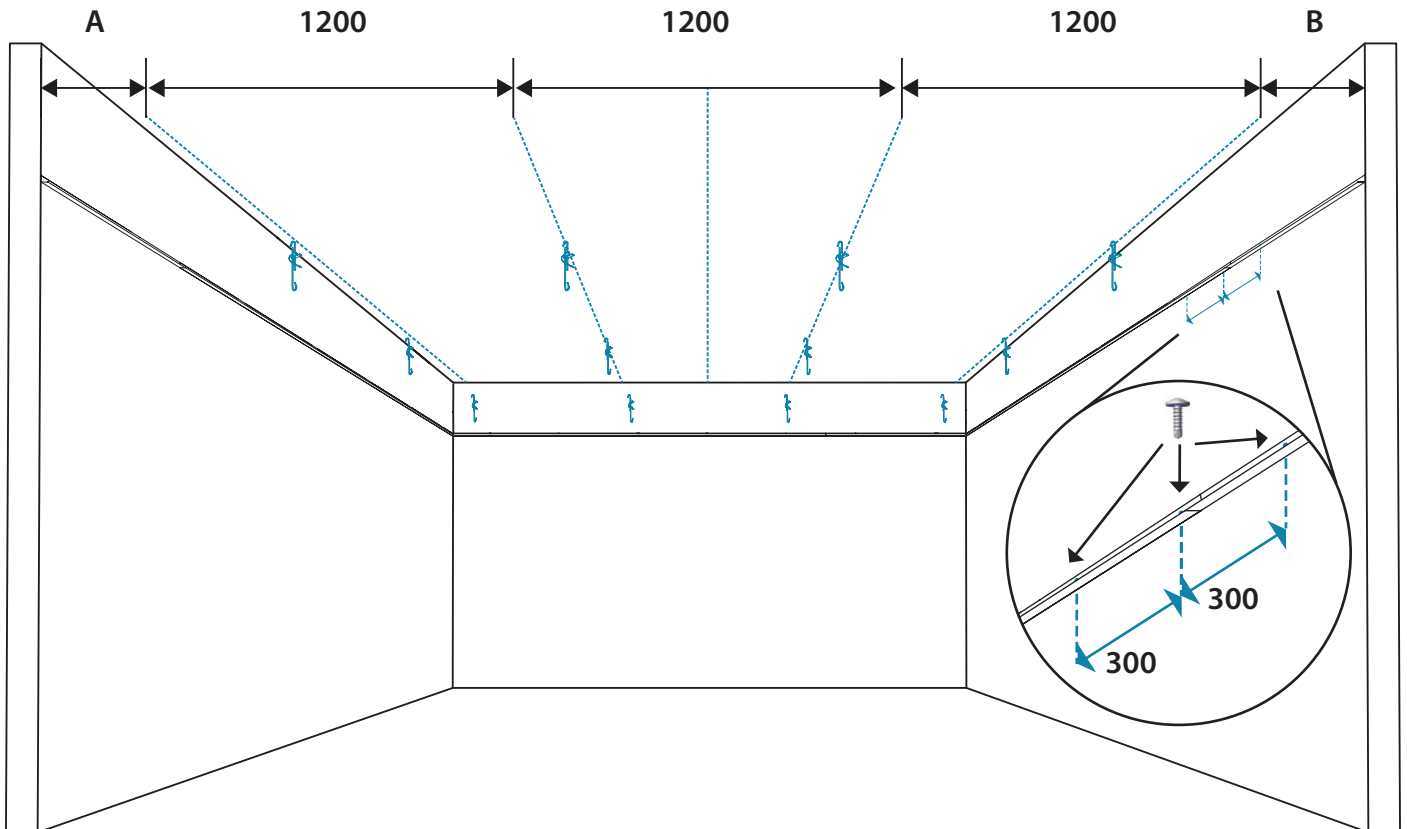


Chicago Metallic T24

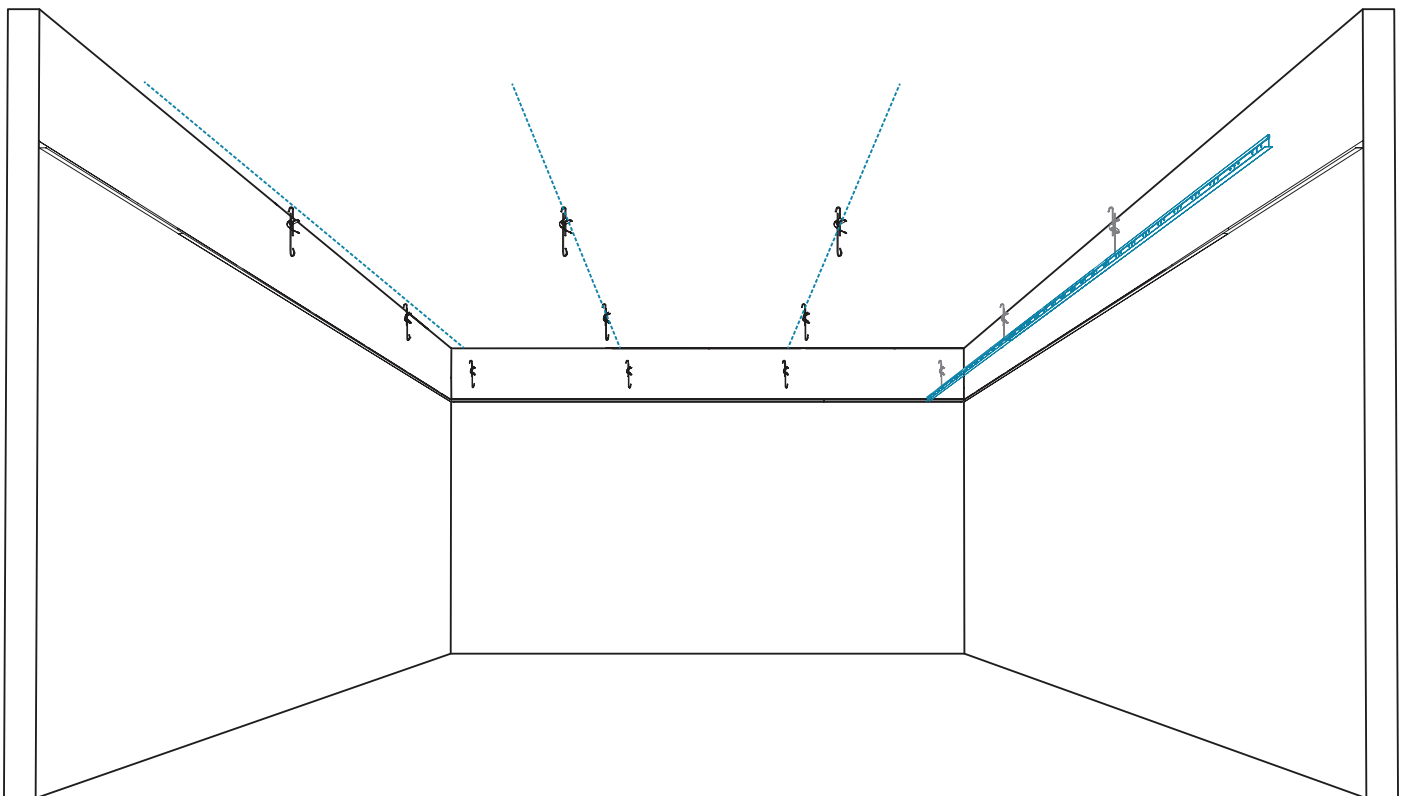
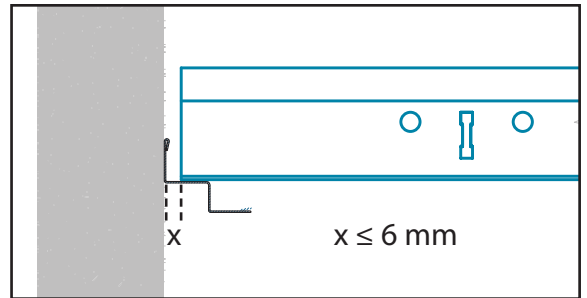
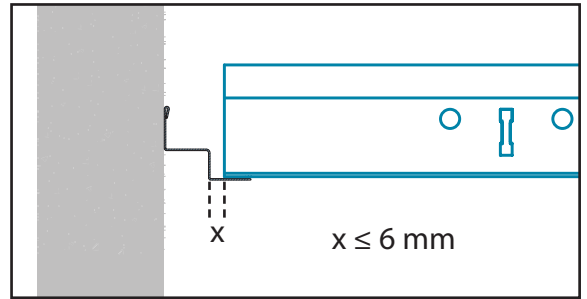
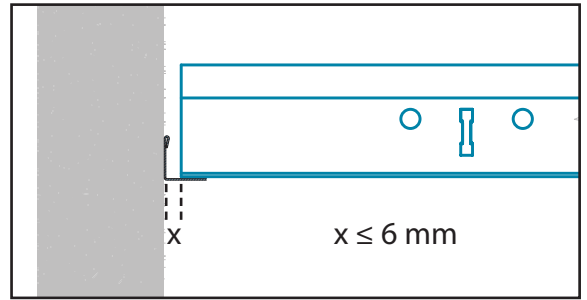
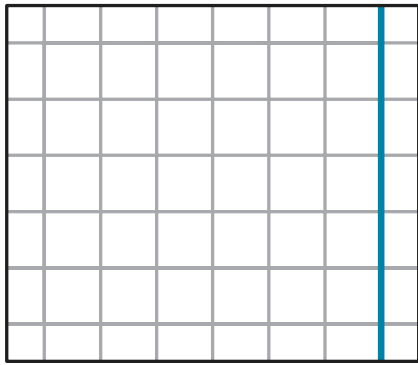
1



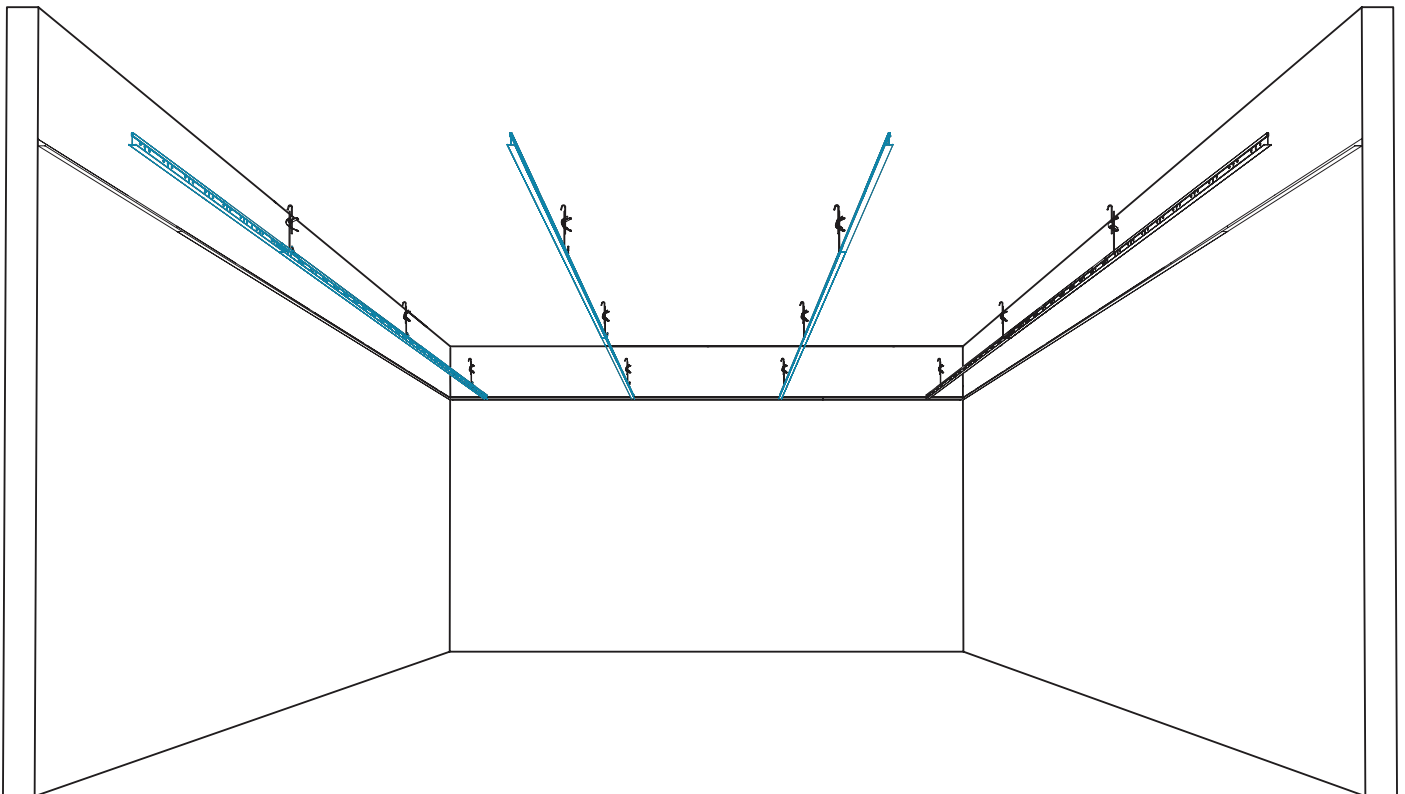
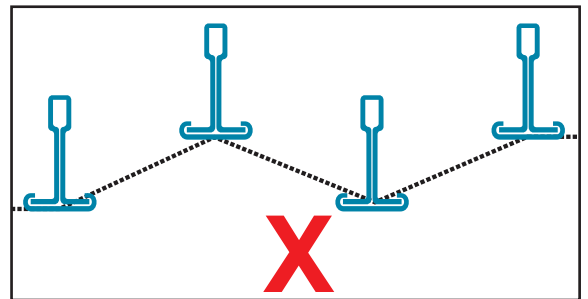
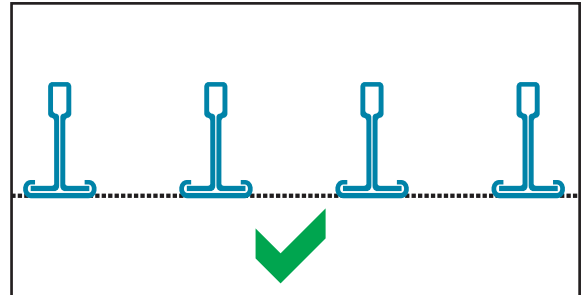
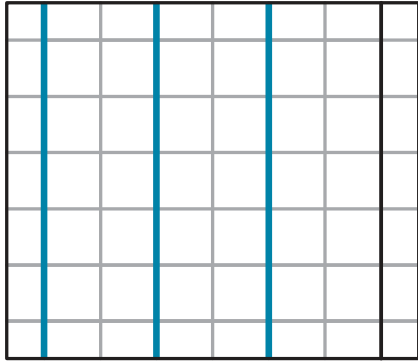
A = B



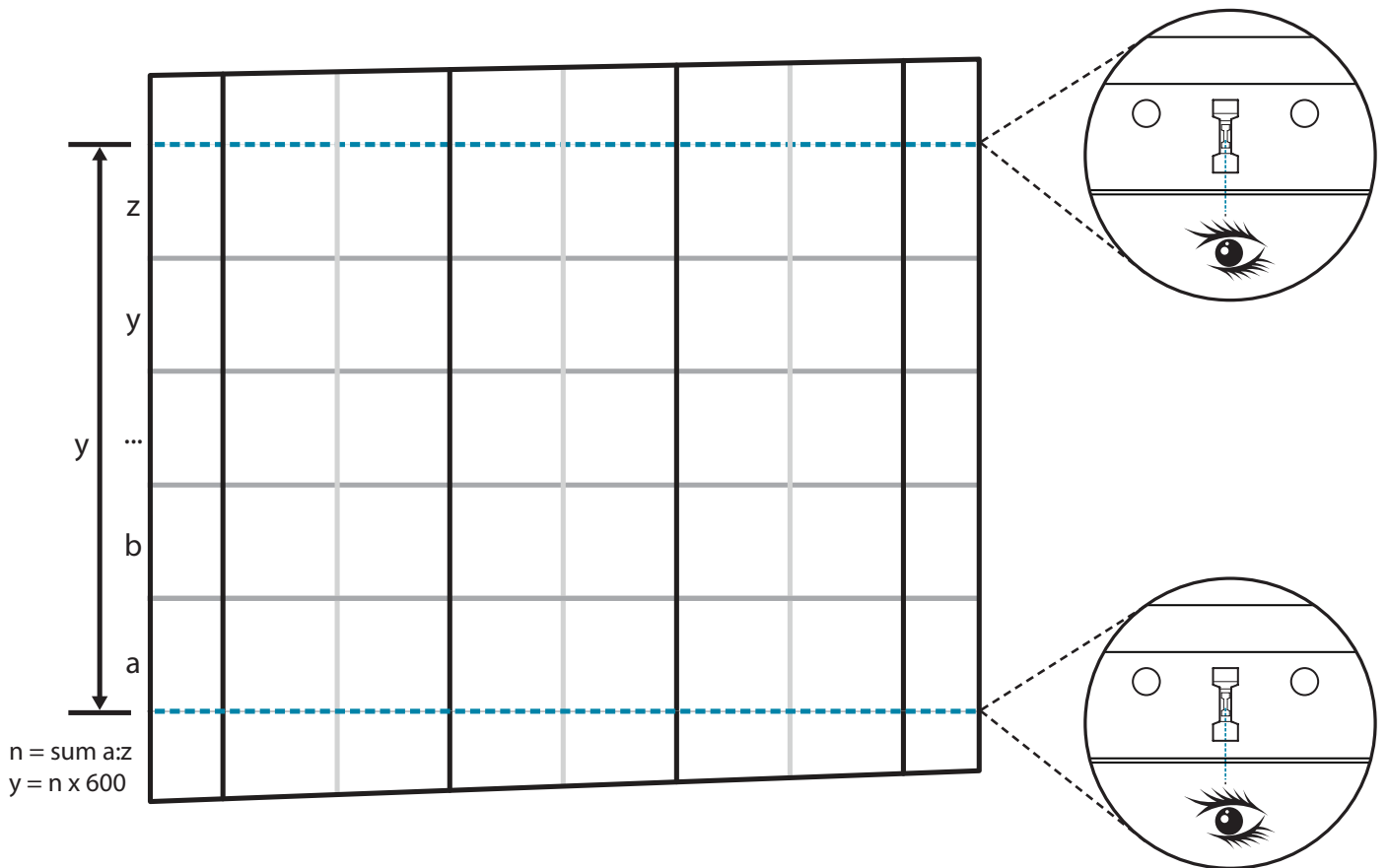
2



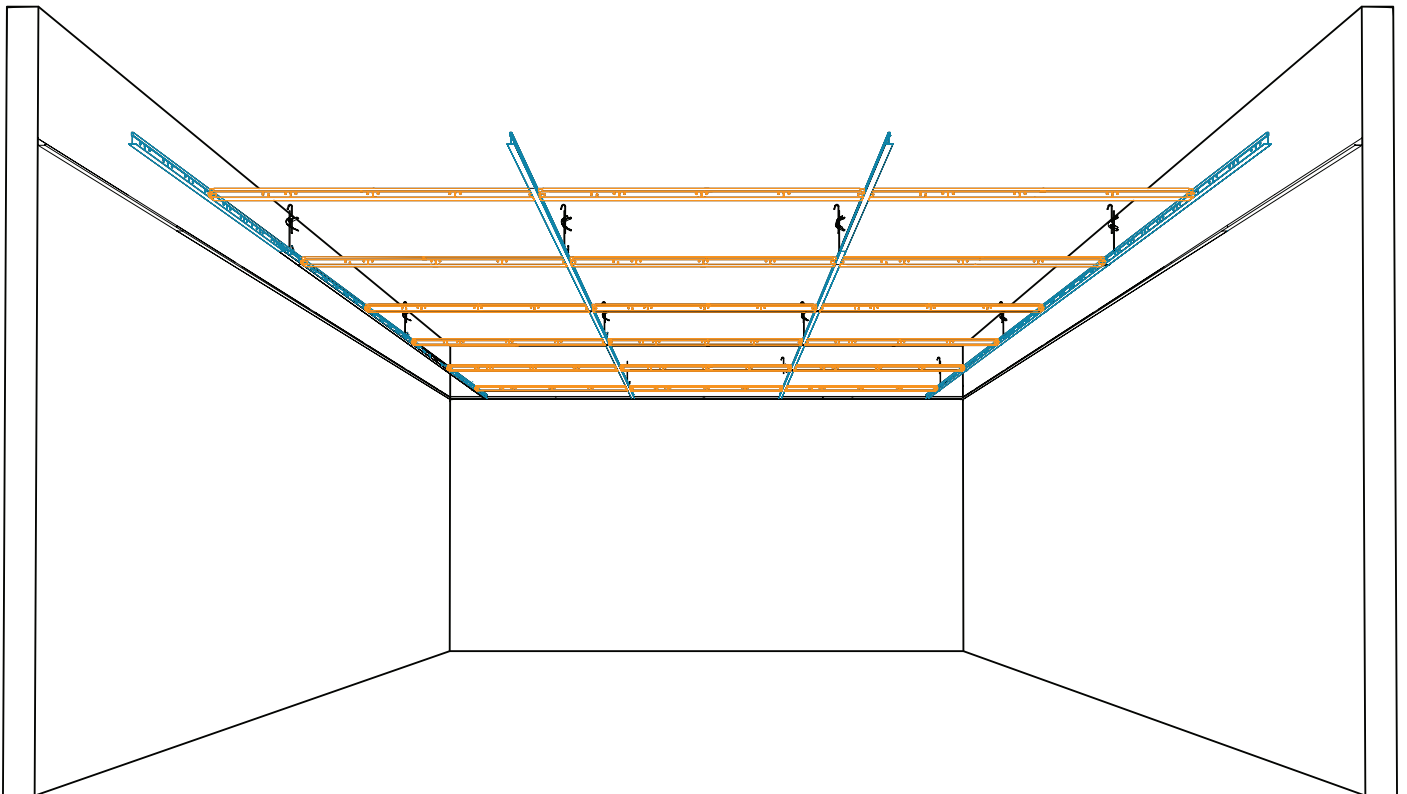
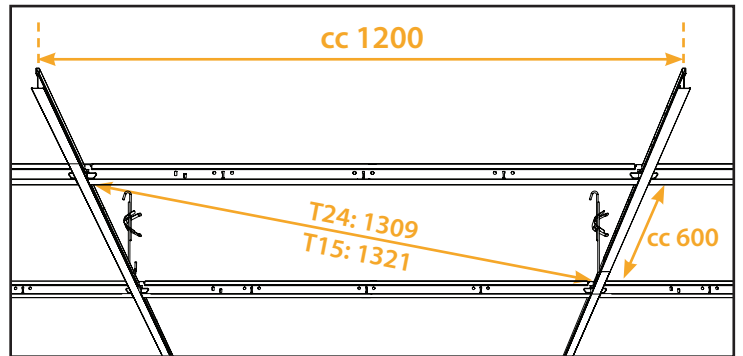
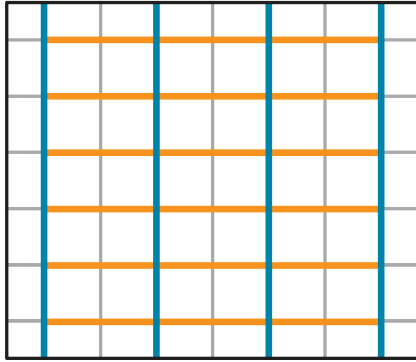
3



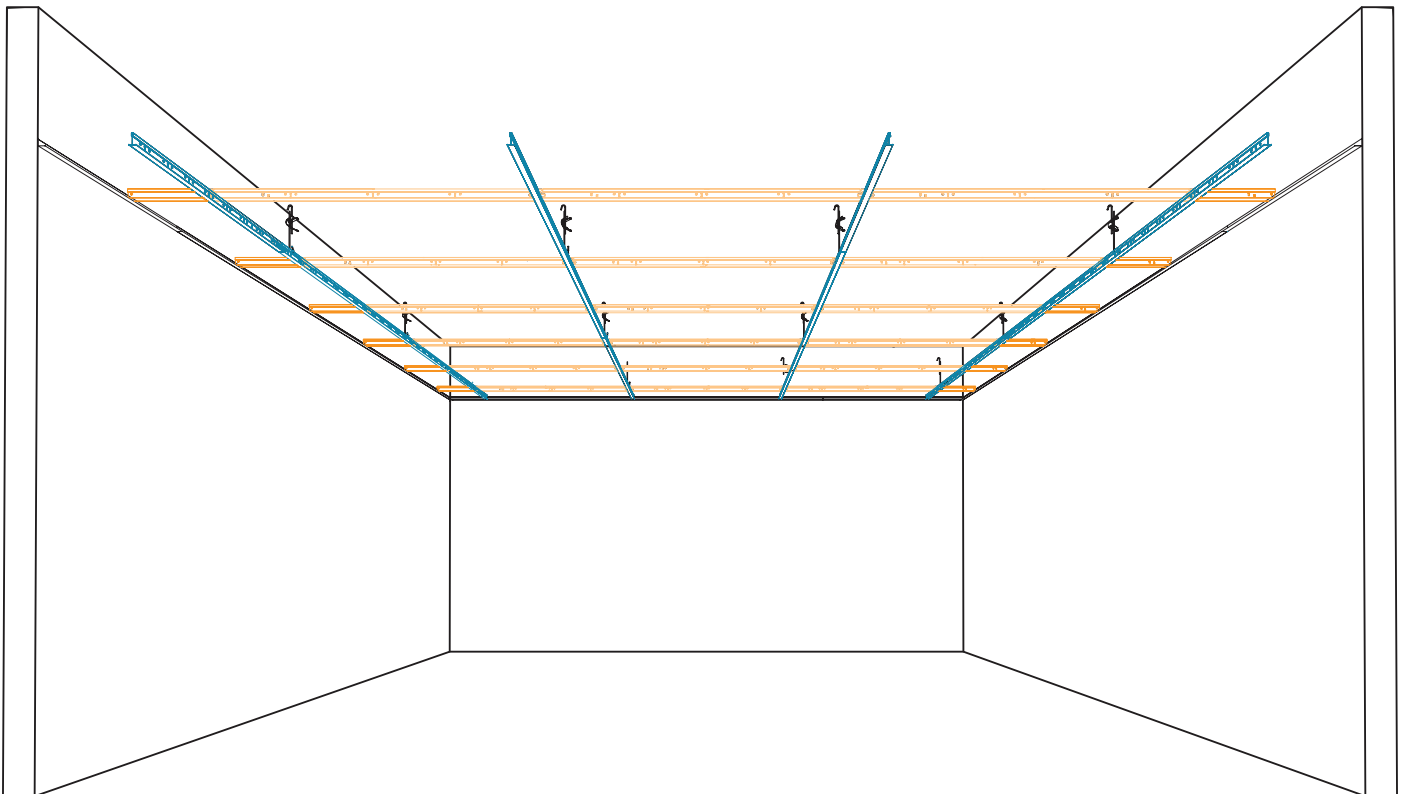
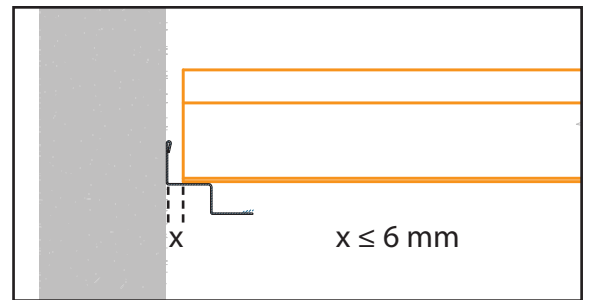
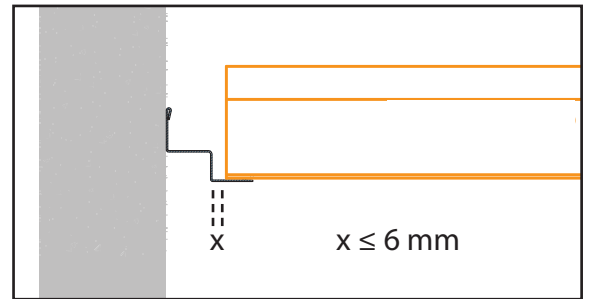
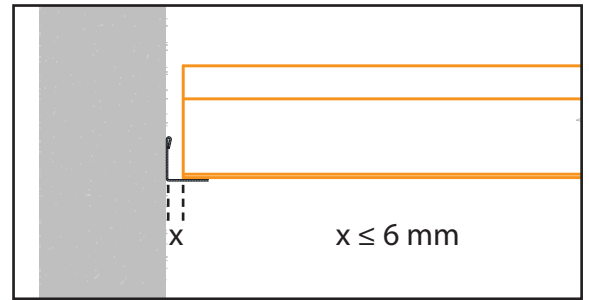
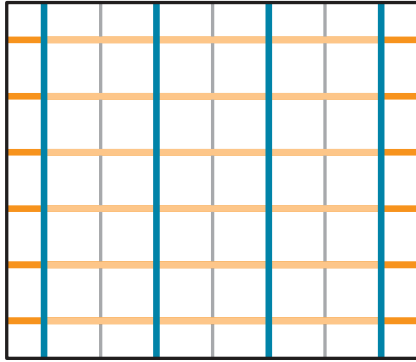
4



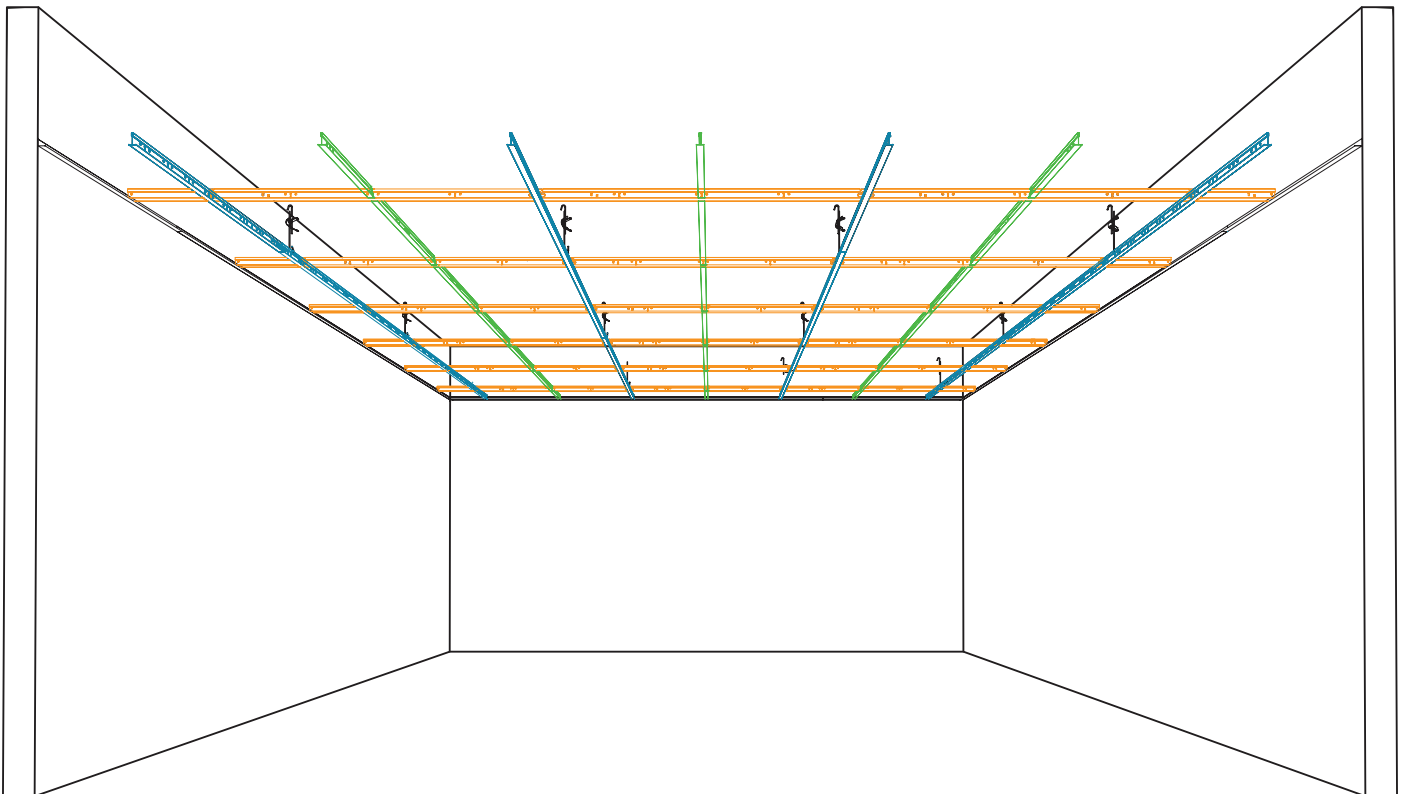
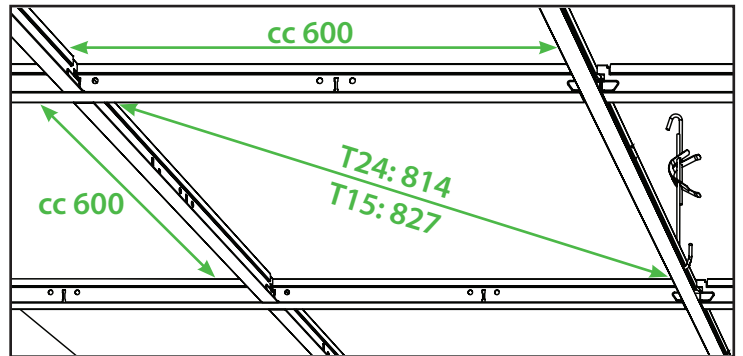
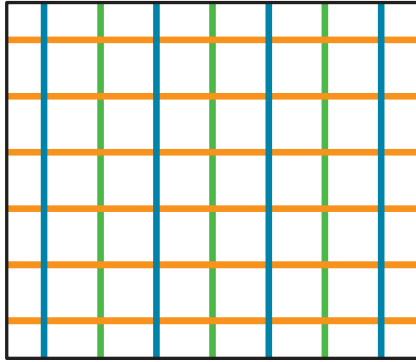
5



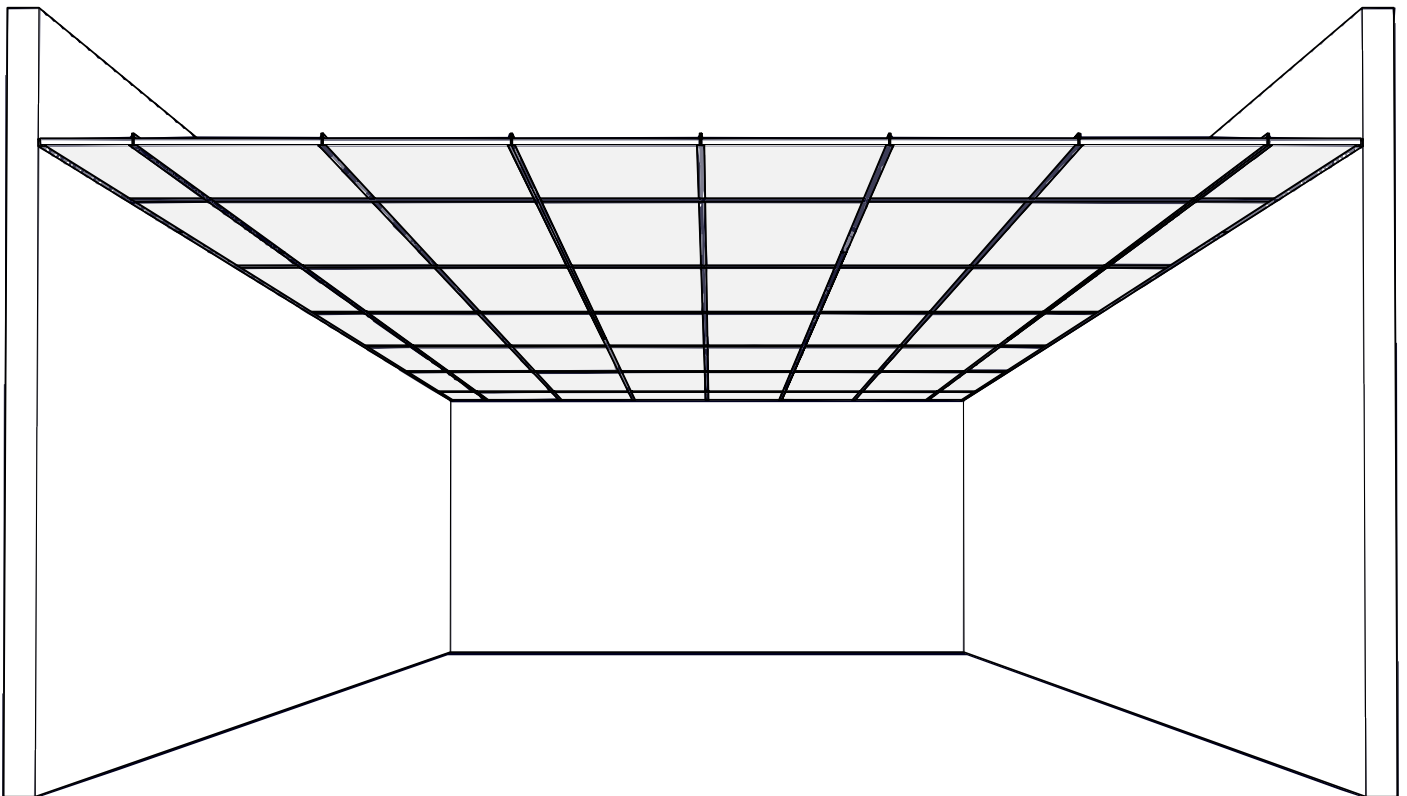
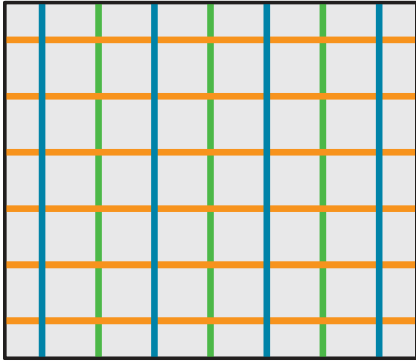
6



7



8



We believe our acoustic ceiling and wall solutions are a fast and simple way to create beautiful, comfortable spaces. Easy to install and durable, they protect people from noise and the spread of fire while making a constructive contribution towards a sustainable future.

Create and protect is what we stand for. It's how we work. It puts people first and promotes good relations. It's about sharing success and maintaining trust.

It's our rock-solid promise to you. Because at ROCKFON, create and protect is what we do – and it's inspired by you.

ROCKFON

A/S ROCKWOOL

Besøksadresse:

Gjerdrums vei 19

0484 Oslo

Postadresse:

Postboks 4215 Nydalen

0401 Oslo

Tel: 22 02 40 00

Fax: 22 15 91 78

www.rockfon.no