

YDEEVNEDEKLARATION

DoP Nr. 0756-CPD-0294 - DA

1. Varetypens unikke identifikationskode:

fischer slaganker EA II

2. Type-, parti- eller serienummer eller en anden form for angivelse, ved hjælp af hvilken byggevaren kan identificeres som krævet i henhold til artikel 11, stk. 4:

ETA-07/0135, Annex 1 – 3

3. Byggevarens tilsigtede anvendelse eller anvendelser i overensstemmelse med den gældende harmoniserede tekniske specifikation som påtænkt af fabrikanten:

generiske type	Deformation controlled anchor for use in non-cracked concrete
til brug i	Ikke-revnet beton C20/25 - C50/60 (EN 206)
option / kategori	ETAG 001 - option 7
lastning	Statisk og kvasistatiske
materiale	Galvaniseret stål:
	Dry internal conditions only
	Dækkede størrelser: M6, M8, M8x40, M10x30, M10, M12, M12 D, M16, M20
	Rustfrit stål (mærkning A4):
Internal and external use without particular aggressive conditions	
Dækkede størrelser: M6, M8, M8x40, M10x30, M10, M12, M12 D, M16, M20	

4. Fabrikantens navn, registrerede firmabetegnelse eller registrerede varemærke og kontaktadresse som krævet i henhold til artikel 11, stk. 5:

fischerwerke GmbH & Co. KG, Weinhalde 14 - 18, 72178 Waldachtal, Germany

5. I givet fald navn og kontaktadresse på den bemyndigede repræsentant, hvis mandat omfatter opgaverne i artikel 12, stk. 2: ---

6. Systemet eller systemerne til vurdering og kontrol af konstanten af byggevarens ydeevne, jf. bilag V: 1

7. Hvis ydeevnedeklarationen vedrører en byggevare, der er omfattet af en harmoniseret standard: ---

8. Hvis ydeevnedeklarationen vedrører en byggevare, for hvilken der er udstedt en europæisk teknisk vurdering:

Deutsches Institut für Bautechnik (DIBt) og udstedte ETA-07/0135
på grundlag af ETAG 001-1, ETAG 001-4. ETAG 001 - option 7

MPA Darmstadt 0756-CPD udføres

i) bestemmelse af varetypen på grundlag af typeprøvning (herunder stikprøveudtagning), typeberegning, tabelværdier eller deskriptiv dokumentation for byggevaren

ii) indledende inspektion af fabriksanlæg og fabrikkens egen produktionskontrol

iii) kontinuerlig overvågning, vurdering og evaluering af fabrikkens egen produktionskontrol.

efter system 1 og udstedte attest for byggevarens ydeevnes konstans **0756-CPD-0294**.

9. Deklareret ydeevne

Væsentlige egenskaber	Design Method	Ydeevne	Harmoniserede tekniske specifikationer
karakteristiske modstand for spænding	ETAG 001 Annex C	ETA-07/0135, Annex 5	ETAG 001-1
karakteristiske modstand for forskydningsstyrke	ETAG 001 Annex C	ETA-07/0135, Annex 6, Annex 7	
minimumsafstand og minimum kantafstand	ETAG 001 Annex C	ETA-07/0135, Annex 4	
forskydning for anvendelsesgrænsetilstand	ETAG 001 Annex C	ETA-07/0135, Annex 7	

10. Ydeevnen for den byggevare, der er anført i punkt 1 og 2, er i overensstemmelse med den deklarerede ydeevne i punkt 9.

Denne ydeevnedeklaration udstedes på eneansvar af den fabrikant, der er anført i punkt 4.

Underskrevet for fabrikanten og på dennes vegne af:

i.V. W. Hengesbach

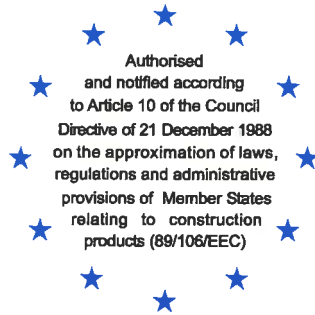
Wolfgang Hengesbach
 Dipl.-Ing., Dipl.-Wirtsch.-Ing.
 Zulassungen & Technische Dokumente

i.V. A. Bucher

Andreas Bucher
 Dipl.-Ing.
 Forschung & Technologietransfer



Waldachtal, 2013-06-12



European Technical Approval ETA-07/0135

English translation prepared by DIBt - Original version in German language

Handelsbezeichnung
Trade name

fischer Einschlaganker EA II
fischer drop-in anchor EA II

Zulassungsinhaber
Holder of approval

fischerwerke GmbH & Co. KG
Weinhalde 14-18
72178 Waldachtal
DEUTSCHLAND

Zulassungsgegenstand
und Verwendungszweck

*Generic type and use
of construction product*

Wegkontrolliert spreizender Dübel in den Größen M6, M8, M10, M12, M16 und M20 zur Verankerung im ungerissenen Beton
Deformation-controlled expansion anchor of sizes M6, M8, M10, M12, M16 and M20 for use in non-cracked concrete

Geltungsdauer:
Validity:

vom
from
bis
to

5 November 2007

22 June 2012

verlängert
extended

vom
from
bis
to

25 April 2012

25 April 2017

Herstellwerk
Manufacturing plant

fischerwerke

Diese Zulassung umfasst
This Approval contains

16 Seiten einschließlich 8 Anhänge
16 pages including 8 annexes

I LEGAL BASES AND GENERAL CONDITIONS

- 1 This European technical approval is issued by Deutsches Institut für Bautechnik in accordance with:
- Council Directive 89/106/EEC of 21 December 1988 on the approximation of laws, regulations and administrative provisions of Member States relating to construction products¹, modified by Council Directive 93/68/EEC² and Regulation (EC) N° 1882/2003 of the European Parliament and of the Council³;
 - *Gesetz über das In-Verkehr-Bringen von und den freien Warenverkehr mit Bauprodukten zur Umsetzung der Richtlinie 89/106/EWG des Rates vom 21. Dezember 1988 zur Angleichung der Rechts- und Verwaltungsvorschriften der Mitgliedstaaten über Bauprodukte und anderer Rechtsakte der Europäischen Gemeinschaften (Bauproduktengesetz - BauPG) vom 28. April 1998⁴, as amended by law of 31 October 2006⁵;*
 - Common Procedural Rules for Requesting, Preparing and the Granting of European technical approvals set out in the Annex to Commission Decision 94/23/EC⁶;
 - Guideline for European technical approval of "Metal anchors for use in concrete - Part 4: Deformation controlled expansion anchors", ETAG 001-04.
- 2 Deutsches Institut für Bautechnik is authorized to check whether the provisions of this European technical approval are met. Checking may take place in the manufacturing plant. Nevertheless, the responsibility for the conformity of the products to the European technical approval and for their fitness for the intended use remains with the holder of the European technical approval.
- 3 This European technical approval is not to be transferred to manufacturers or agents of manufacturers other than those indicated on page 1, or manufacturing plants other than those indicated on page 1 of this European technical approval.
- 4 This European technical approval may be withdrawn by Deutsches Institut für Bautechnik, in particular pursuant to information by the Commission according to Article 5(1) of Council Directive 89/106/EEC.
- 5 Reproduction of this European technical approval including transmission by electronic means shall be in full. However, partial reproduction can be made with the written consent of Deutsches Institut für Bautechnik. In this case partial reproduction has to be designated as such. Texts and drawings of advertising brochures shall not contradict or misuse the European technical approval.
- 6 The European technical approval is issued by the approval body in its official language. This version corresponds fully to the version circulated within EOTA. Translations into other languages have to be designated as such.

¹ Official Journal of the European Communities L 40, 11 February 1989, p. 12
² Official Journal of the European Communities L 220, 30 August 1993, p. 1
³ Official Journal of the European Union L 284, 31 October 2003, p. 25
⁴ *Bundesgesetzblatt Teil I 1998*, p. 812
⁵ *Bundesgesetzblatt Teil I 2006*, p. 2407, 2416
⁶ Official Journal of the European Communities L 17, 20 January 1994, p. 34

II SPECIFIC CONDITIONS OF THE EUROPEAN TECHNICAL APPROVAL

1 Definition of product and intended use

1.1 Definition of the construction product

The fischer drop-in anchor EA II for non-cracked concrete of sizes M6, M8, M8x40, M10x30, M10, M12, M12D, M16 and M20 is an anchor made of galvanised or stainless steel respectively which is placed into a drilled hole and anchored by deformation-controlled expansion.

For the installed anchor see Figure given in Annex 1.

The fixture shall be anchored with a fastening screw or threaded rod according to Annex 4.

1.2 Intended use

The anchor is intended to be used for anchorages for which requirements for mechanical resistance and stability and safety in use in the sense of the Essential Requirements 1 and 4 of Council Directive 89/106 EEC shall be fulfilled and failure of anchorages made with these products would cause risk to human life and/or lead to considerable economic consequences. The anchor is to be used only for anchorages subject to static or quasi-static loading in reinforced or unreinforced normal weight concrete of strength classes C20/25 at minimum and C50/60 at most according to EN 206-1:2000-12. It may be anchored in non-cracked concrete only.

fischer drop-in anchor EA II (galvanised steel):

The anchor made of galvanised steel may only be used in structures subject to dry internal conditions.

fischer drop-in anchor EA II A4 (stainless steel):

The anchor made of stainless steel may be used in structures subject to dry internal conditions and also in structures subject to external atmospheric exposure (including industrial and marine environment), or exposure in permanently damp internal conditions, if no particular aggressive conditions exist. Such particular aggressive conditions are e.g. permanent, alternating immersion in seawater or the splash zone of seawater, chloride atmosphere of indoor swimming pools or atmosphere with extreme chemical pollution (e.g. in desulphurization plants or road tunnels where de-icing materials are used).

The provisions made in this European technical approval are based on an assumed intended working life of the anchor of 50 years. The indications given on the working life cannot be interpreted as a guarantee given by the producer, but are to be regarded only as a means for choosing the right products in relation to the expected economically reasonable working life of the works.

2 Characteristics of the product and methods of verification

2.1 Characteristics of the product

The anchor corresponds to the drawings and provisions given in Annex 2. The characteristic material values, dimensions and tolerances of the anchor not indicated in Annex 2 shall correspond to the respective values laid down in the technical documentation⁷ of this European technical approval.

The characteristic values for the design of anchorages are given in Annexes 5 to 7.

Each anchor is marked according to Annex 1 with the identifying mark of the producer, the trade name and the size of thread. In addition, each anchor made of stainless steel is marked with the letters "A4" and each rimless anchor is marked with the letters "RL".

In addition, the expansion sleeve for anchor sizes M8×40 and M10×30 is marked on the top of the sleeve.

The anchor shall only be packaged and supplied as a complete unit.

2.2 Methods of verification

The assessment of fitness of the anchor for the intended use in relation to the requirements for mechanical resistance and stability and safety in use in the sense of the Essential Requirements 1 and 4 has been made in accordance with the "Guideline for European technical approval of Metal Anchors for Use in Concrete", Part 1 "Anchors in general" and Part 4 "Deformation-controlled expansion anchors" on the basis of Option 7.

In addition to the specific clauses relating to dangerous substances contained in this European technical approval, there may be other requirements applicable to the products falling within its scope (e.g. transposed European legislation and national laws, regulations and administrative provisions). In order to meet the provisions of the Construction Products Directive, these requirements need also to be complied with, when and where they apply.

3 Evaluation and attestation of conformity and CE marking

3.1 System of attestation of conformity

According to the decision 96/582/EG of the European Commission⁸ the system 2(i) (referred to as System 1) of attestation of conformity applies.

This system of attestation of conformity is defined as follows:

System 1: Certification of the conformity of the product by an approved certification body on the basis of:

- (a) Tasks for the manufacturer:
 - (1) factory production control;
 - (2) further testing of samples taken at the factory by the manufacturer in accordance with a prescribed control plan;

⁷ The technical documentation of this European technical approval is deposited at the Deutsches Institut für Bautechnik and, as far as relevant for the tasks of the approved bodies involved in the attestation of conformity procedure, is handed over to the approved bodies.

⁸ Official Journal of the European Communities L 254 of 08.10.1996

- (b) Tasks for the approved body:
- (3) initial type-testing of the product;
 - (4) initial inspection of factory and of factory production control;
 - (5) continuous surveillance, assessment and approval of factory production control.

Note: Approved bodies are also referred to as "notified bodies".

3.2 Responsibilities

3.2.1 Tasks of the manufacturer

3.2.1.1 Factory production control

The manufacturer shall exercise permanent internal control of production. All the elements, requirements and provisions adopted by the manufacturer shall be documented in a systematic manner in the form of written policies and procedures, including records of results performed. This production control system shall insure that the product is in conformity with this European technical approval.

The manufacturer may only use initial / raw / constituent materials stated in the technical documentation of this European technical approval.

The factory production control shall be in accordance with the control plan which is part of the technical documentation of this European technical approval. The control plan is laid down in the context of the factory production control system operated by the manufacturer and deposited at Deutsches Institut für Bautechnik.⁹

The results of factory production control shall be recorded and evaluated in accordance with the provisions of the "control plan".

3.2.1.2 Other tasks of manufacturer

The manufacturer shall, on the basis of a contract, involve a body which is approved for the tasks referred to in section 3.1 in the field of anchors in order to undertake the actions laid down in section 3.2.2. For this purpose, the "control plan" referred to in sections 3.2.1.1 and 3.2.2 shall be handed over by the manufacturer to the approved body involved.

The manufacturer shall make a declaration of conformity, stating that the construction product is in conformity with the provisions of this European technical approval.

3.2.2 Tasks of approved bodies

The approved body shall perform the following tasks in accordance with the provisions laid down in the control plan:

- initial type-testing of the product,
- initial inspection of factory and of factory production control,
- continuous surveillance, assessment and approval of factory production control.

The approved body shall retain the essential points of its actions referred to above and state the results obtained and conclusions drawn in a written report.

The approved certification body involved by the manufacturer shall issue an EC certificate of conformity of the product stating the conformity with the provisions of this European technical approval.

In cases where the provisions of the European technical approval and its "control plan" are no longer fulfilled the certification body shall withdraw the certificate of conformity and inform Deutsches Institut für Bautechnik without delay.

⁹ The control plan is a confidential part of the documentation of the European technical approval, but not published together with the European technical approval and only handed over to the approved body involved in the procedure of attestation of conformity.
See section 3.2.2.

3.3 CE marking

The CE marking shall be affixed on each packaging of anchors. The letters "CE" shall be followed by the identification number of the approved certification body, where relevant, and be accompanied by the following additional information:

- the name and address of the producer (legal entity responsible for the manufacturer),
- the last two digits of the year in which the CE marking was affixed,
- the number of the EC certificate of conformity for the product,
- the number of the European technical approval,
- the number of the guideline for European technical approval,
- use category (ETAG 001-1, Option 7),
- size.

4 Assumptions under which the fitness of the product for the intended use was favourably assessed

4.1 Manufacturing

The European technical approval is issued for the product on the basis of agreed data/information, deposited with Deutsches Institut für Bautechnik, which identifies the product that has been assessed and judged. Changes to the product or production process, which could result in this deposited data/information being incorrect, should be notified to Deutsches Institut für Bautechnik before the changes are introduced. Deutsches Institut für Bautechnik will decide whether or not such changes affect the European technical approval and consequently the validity of the CE marking on the basis of the European technical approval and if so whether further assessment or alterations to the European technical approval shall be necessary.

4.2 Design of anchorages

The fitness of the anchor for the intended use is given under the following conditions:

The anchorages are designed in accordance with the "Guideline for European technical approval of Metal Anchors for Use in Concrete", Annex C, Method A, under the responsibility of an engineer experienced in anchorages and concrete work.

Verifiable calculation notes and drawings are prepared taking account of the loads to be anchored.

The position of the anchor is indicated on the design drawings (e.g. position of the anchor relative to reinforcement or to supports).

The minimum strength class and the minimum screwing depth of the fastening screw or the threaded rod for installation of the fixture shall be met the requirements according to Annex 4. The length of the fastening screw shall be defined according to the requirements given in Annex 4, taking into account the available thread length, the minimum screwing depth, the thickness of fixture and tolerances of member and fixture.

4.3 Installation of anchors

The fitness for use of the anchor can only be assumed if the anchor is installed as follows:

- Anchor installation carried out by appropriately qualified personnel and under the supervision of the person responsible for technical matters of the site.
- Use of the anchor only as supplied by the manufacturer without exchanging the components of an anchor.

- Anchor installation in accordance with the manufacturer's specifications and drawings and using the appropriate tools;
- Checks before placing the anchor to ensure that the strength class of the concrete in which the anchor is to be placed is in the range given and is not lower than that of the concrete to which the characteristic loads apply.
- Check of concrete being well compacted, e.g. without significant voids.
- Clearing of the hole of drilling dust.
- Anchor installation such that the effective setting depth is complied with. This compliance is ensured, if the anchor is completely set into the drill hole.
- Anchor expansion by impact on the cone using the manual setting tools given in Annex 3. The anchor is properly set if the stop of the setting tool reaches the expansion sleeve. The manual setting tool EAW H Plus leaves a visible mark on the sleeve as illustrated in Annex 3.
- Keeping of the edge distance and spacing to the specified values without minus tolerances.
- Positioning of the drill holes without damaging the reinforcement.
- In case of aborted hole: new drilling at a minimum distance away of twice the depth of the aborted hole or smaller distance if the aborted drill hole is filled with high strength mortar and if under shear or oblique tension load it is not in the direction of load application.
- The fastening screw or threaded rod shall correspond to the requirements given in Annex 4.
- Installation torque moments are not required for functioning of the anchor. However, the torque moments given in Annex 4 must not be exceeded.

5 Indications to the manufacturer

It is in the responsibility of the manufacturer to ensure that the information on the specific conditions according to 1 and 2 including Annexes referred to as well as sections 4.2 and 4.3 is given to those who are concerned. This information may be made by reproduction of the respective parts of the European technical approval. In addition all installation data shall be shown clearly on the package and/or on an enclosed instruction sheet, preferably using illustration(s).

The minimum data required are:

- drill bit diameter,
- thread diameter,
- minimum effective anchorage depth,
- available thread length and minimum screwing depth of the fastening screw or threaded rod,
- material and required strength class of the fastening screw or threaded rod according to Annex 2,
- minimum hole depth,
- torque moment,

**Extension of validity of the
European technical approval ETA-07/0135**
English translation prepared by DIBt

Page 8 of 16 | 25 April 2012

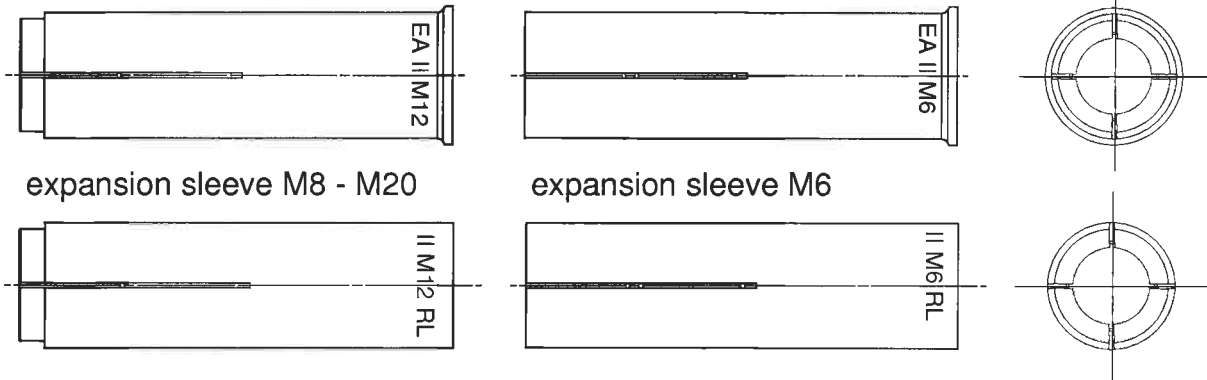
- information on the installation procedure, including cleaning of the hole, preferably by means of an illustration,
- reference to any special installation equipment needed,
- identification of the manufacturing batch.

All data shall be presented in a clear and explicit form.

Georg Feistel
Head of Department

beglaubigt:
Baderschneider

fischer drop-in anchor EA II



Marking expansion sleeve e.g.:

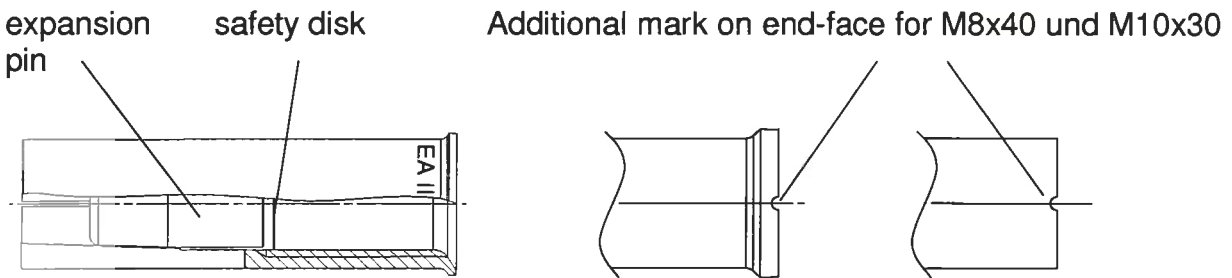
⊕ EA II M12 (galvanised steel)

⊕ EA II M12 A4 (stainless steel)

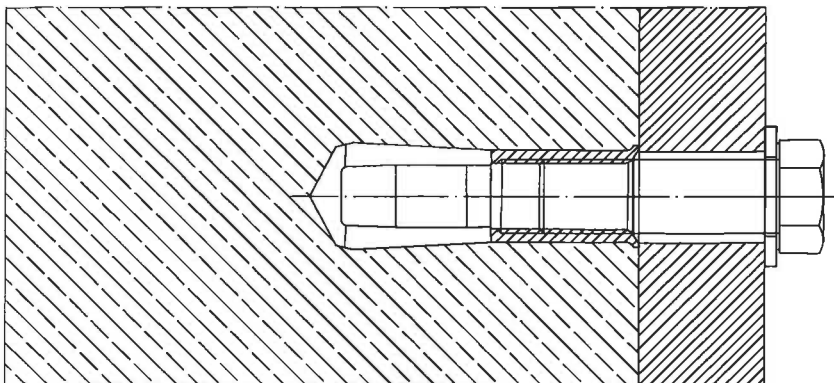
⊕ EA II M12 RL (Rimless)

Marking at M8x40, M10x30 and M12 D e.g.: ⊕ EA II M8x40; ⊕ EA II M8x40 A4

⊕ EA II M12 D



Intended use: non-cracked concrete C20/25 to C50/60



fischer drop-in anchor EA II

Product and intended use

Annex 1

Part 1: EA II Anchor body

Part 2: EA II - Expansion pin

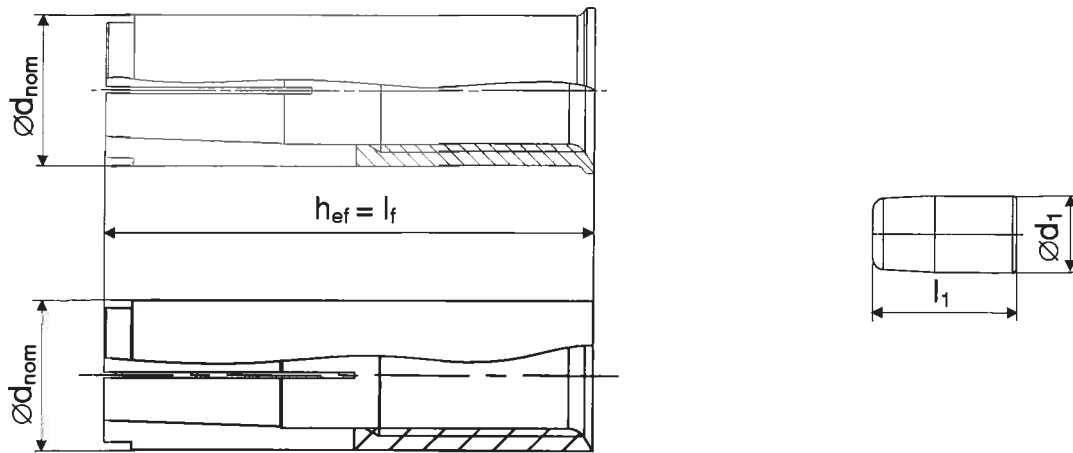


Table 1: Dimensions

Anchor size EA II	M6	M8	M8x40	M10x30	M10	M12	M12 D	M16	M20
$h_{ef} = l_f$ [mm]	30	30	40	30	40	50	50	65	80
$\varnothing d_{nom}$ [mm]	8	10	10	12	12	15	16	20	25
$\varnothing d_1$ [mm]	5	6,5	6,5	8,2	8,2	10	10	13,5	17,5
l_1 [mm]	14	13,5	13,5	13	18	18	18	25	26

Table 2: Materials

Part No.	Designation	Material	
		galvanised steel ($\geq 5 \mu\text{m}$)	stainless steel
1	Anchor body	Steel ASTM A29/A29M, EN 10263 or EN10277	1.4401, 1.4404, 1.4439, 1.4571 or 1.4362 EN 10088
2	Expansion pin		
	Fastening screw or threaded rod	steel, property class 4.6, 5.6, 5.8 or 8.8 according to EN ISO 898-1	1.4401, 1.4404, 1.4439, 1.4571 or 1.4362 property class 50, 70 or 80 according EN ISO 3506

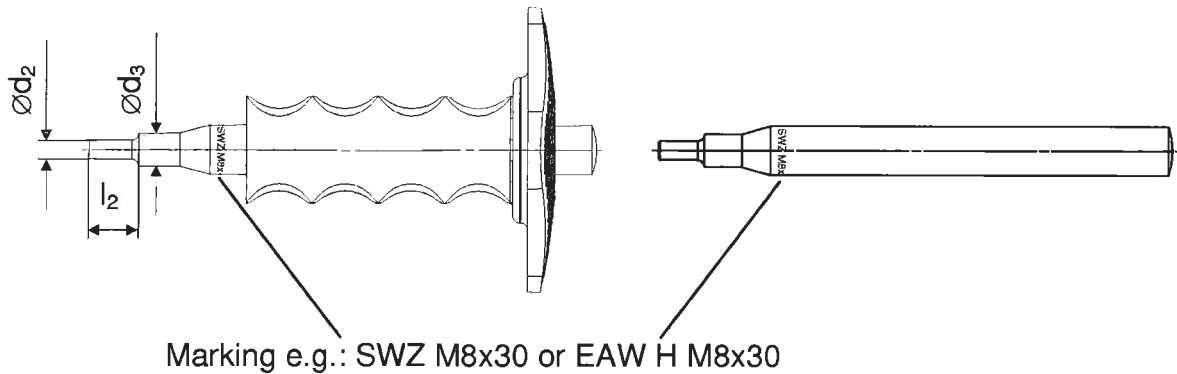
fischer drop-in anchor EA II

Dimensions and Materials

Annex 2

Manual setting tool SWZ Plus

Manual setting tool SWZ



Setting control with setting tool SWZ Plus or SWZ

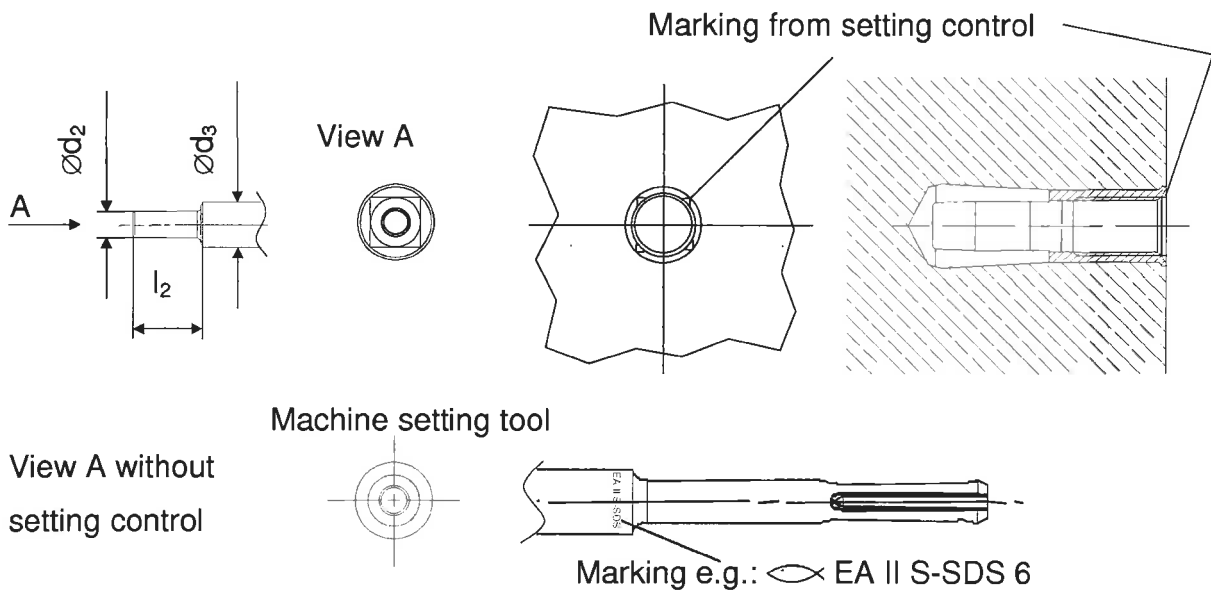


Table 3: Dimensions of setting tools

manual setting tool	machines setting tool	Anchor size EA II	$\varnothing d_2$ [mm]	$\varnothing d_3$ [mm]	l_2 [mm]
SWZ M6x30	EA II S-SDS 6	M6	4,8	9	17
SWZ M8x30	EA II S-SDS 8	M8	6	11	18
SWZ M8x40	EA II S-SDS 8x40	M8x40	6	11	28
SWZ M10x30	EA II S-SDS 10x30	M10x30	7	13	18
SWZ M10x40	EA II S-SDS 10	M10	7	13	24
SWZ M12x50	EA II S-SDS 12	M12 / M12 D	10	16,5	30
SWZ M16x65	EA II S-SDS M16	M16	13	22	36
SWZ M20x80	EA II S-SDS M20	M20	16	27	50

fischer drop-in anchor EA II

Setting tool

Annex 3

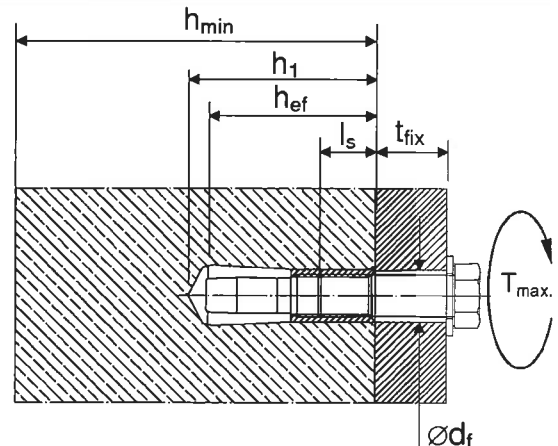
English translation prepared by DIBt

Table 4: EA II Installation data

Anchor size	Drill hole diameter	Thread diameter	Depth of hole	Effective anchorage depth	Maximum screwing depth	Minimum screwing depth	Tightening torque	Clearance of hole diameter
EA II	d_0 = [mm]	M	h_1 ≥ [mm]	h_{ef} ≥ [mm]	$l_{s,max}$ [mm]	$l_{s,min}$ [mm]	max. T_{inst} [Nm]	d_f ≥ [mm]
M6	8	6	32	30	13	6	4	7
M8	10	8	33	30	13	8	8	9
M8x40	10	8	43	40	13	8	8	9
M10x30	12	10	33	30	13	10	15	12
M10	12	10	43	40	17	10	15	12
M12	15	12	54	50	22	12	35	14
M12 D	16	12	54	50	22	12	35	14
M16	20	16	70	65	28	16	60	18
M20	25	20	85	80	34	20	120	22

Fastening screw or threaded rod:

- Minimum property class and materials according to table 2
- Minimum screwing depth is $l_{s,min}$
- The length of the fastening screw shall be determined depending on thickness of fixture t_{fix} , admissible tolerances and available screw length $l_{s,max}$ as well as minimum screwing depth $l_{s,min}$

**Table 5:** Minimum thickness of concrete member, minimum spacing and minimum edge distances

Anchor size	Minimum thickness of concrete member	Minimum spacing	Minimum edge distance
EA II	h_{min} [mm]	s_{min} [mm]	c_{min} [mm]
M6	100	65	115
M8	100	95	140
M8x40	100	95	140
M10x30	120	85	140
M10	120	95	160
M12/M12D	120	145	200
M16	160	180	240
M20	200	190	280

fischer drop-in anchor EA II

Installation data and component measures

Annex 4

English translation prepared by DIBt

Table 6: Design method A - Characteristic resistance to tension loads

EA II		property class	M6 ²⁾	M8 ²⁾	M8x40	M10x30 ²⁾	M10	M12	M12 D	M16	M20
Steel failure											
Characteristic resistance	$N_{Rk,s}$ [kN]	A4-50	10,1	18,3	18,3	29,0	29,0	42,1	42,1	78,3	122,4
Partial safety factor	γ_{Ms} ¹⁾		2,86								
Characteristic resistance	$N_{Rk,s}$ [kN]	A4-70	14,1	19,6	19,6	24,9	24,9	45,1	59,0	73,8	117,2
Partial safety factor	γ_{Ms} ¹⁾		1,87	1,5					1,87	1,5	
Characteristic resistance	$N_{Rk,s}$ [kN]	A4-80	16,1	19,6	19,6	24,9	24,9	45,1	59,0	73,8	117,2
Partial safety factor	γ_{Ms} ¹⁾		1,6	1,5							
Characteristic resistance	$N_{Rk,s}$ [kN]	steel 4.6	8,0	14,6	14,6	23,2	23,2	33,7	33,7	62,7	97,9
Partial safety factor	γ_{Ms} ¹⁾		2,0								
Characteristic resistance	$N_{Rk,s}$ [kN]	steel 5.6	10,1	18,3	18,3	29,0	29,0	42,1	42,1	78,3	122,4
Partial safety factor	γ_{Ms} ¹⁾		2,0								
Characteristic resistance	$N_{Rk,s}$ [kN]	steel 5.8	10,1	17,2	17,2	21,8	21,8	39,6	42,1	64,7	102,8
Partial safety factor	γ_{Ms} ¹⁾		1,5								
Characteristic resistance	$N_{Rk,s}$ [kN]	steel 8.8	13,5	17,2	17,2	21,8	21,8	39,6	53,3	64,7	102,8
Partial safety factor	γ_{Ms} ¹⁾		1,5								
Pull-out failure not decisive											
Concrete cone failure											
Effective anchorage depth	h_{ef} [mm]		30	30	40	30	40	50	50	65	80
Partial safety factor	γ_{Mc} ¹⁾		1,5 ³⁾								
Characteristic spacing	$s_{cr,N}$ [mm]		90	90	120	90	120	150	150	195	240
Characteristic edge distance	$c_{cr,N}$ [mm]		45	45	60	45	60	75	75	97	120
Splitting failure											
Partial safety factor	$\gamma_{M,sp}$ ¹⁾		1,5 ³⁾								
Characteristic spacing	$s_{cr,sp}$ [mm]		210	210	280	210	320	350	350	455	560
Characteristic edge distance	$c_{cr,sp}$ [mm]		105	105	140	105	160	175	175	227	280

1) In absence of other national regulations.

2) Only for application with statically indeterminate structural components.

3) The installation safety factor $\gamma_2=1,0$ is included.

fischer drop-in anchor EA II

Design method A
Characteristic resistance to tension loads

Annex 5

English translation prepared by DIBt

Table 7: Design method A - Characteristic resistance to shear loads

EA II	property class	M6	M8	M8x40	M10x30	M10	M12	M12 D	M16	M20	
Steel failure without lever arm											
Characteristic resistance	$V_{Rk,s}$ [kN]	A4-50	5,0	9,2	9,2	14,5	14,5	21,1	21,1	39,2	61,2
Partial safety factor	$\gamma_{Ms}^{1)}$		2,38								
Characteristic resistance	$V_{Rk,s}$ [kN]	A4-70	7,0	9,8	9,8	12,4	12,4	22,6	29,5	37	59
Partial safety factor	$\gamma_{Ms}^{1)}$		1,56	1,25				1,56	1,25		
Characteristic resistance	$V_{Rk,s}$ [kN]	A4-80	8,0	9,8	9,8	12,4	12,4	22,6	30,4	36,9	58,6
Partial safety factor	$\gamma_{Ms}^{1)}$		1,33	1,25							
Characteristic resistance	$V_{Rk,s}$ [kN]	steel 4.6	4,0	7,3	7,3	11,6	11,6	16,9	16,9	31	49
Partial safety factor	$\gamma_{Ms}^{1)}$		1,67								
Characteristic resistance	$V_{Rk,s}$ [kN]	steel 5.6	5,0	9,2	9,2	14,5	14,5	21,1	21,1	39	61
Partial safety factor	$\gamma_{Ms}^{1)}$		1,67								
Characteristic resistance	$V_{Rk,s}$ [kN]	steel 5.8	5,0	8,6	8,6	10,9	10,9	19,8	21,1	32	51
Partial safety factor	$\gamma_{Ms}^{1)}$		1,25								
Characteristic resistance	$V_{Rk,s}$ [kN]	steel 8.8	6,8	8,6	8,6	10,9	10,9	19,8	27	32	51
Partial safety factor	$\gamma_{Ms}^{1)}$		1,25								
Steel failure with lever arm											
Characteristic resistance	$M_{Rk,s}^0$ [Nm]	A4-50	8	19	19	37	37	66	66	166	324
Partial safety factor	$\gamma_{Ms}^{1)}$		2,38								
Characteristic resistance	$M_{Rk,s}^0$ [Nm]	A4-70	11	26	26	52	52	92	92	232	454
Partial safety factor	$\gamma_{Ms}^{1)}$		1,56								
Characteristic resistance	$M_{Rk,s}^0$ [Nm]	A4-80	12	30	30	60	60	105	105	266	519
Partial safety factor	$\gamma_{Ms}^{1)}$		1,33								
Characteristic resistance	$M_{Rk,s}^0$ [Nm]	Stahl 4.6	6,1	15	15	30	30	52	52	133	259
Partial safety factor	$\gamma_{Ms}^{1)}$		1,67								
Characteristic resistance	$M_{Rk,s}^0$ [Nm]	Stahl 5.6	7,6	19	19	37	37	66	66	166	324
Partial safety factor	$\gamma_{Ms}^{1)}$		1,67								
Characteristic resistance	$M_{Rk,s}^0$ [Nm]	Stahl 5.8	7,6	19	19	37	37	66	66	166	324
Partial safety factor	$\gamma_{Ms}^{1)}$		1,25								
Characteristic resistance	$M_{Rk,s}^0$ [Nm]	Stahl 8.8	12	30	30	60	60	105	105	266	517
Partial safety factor	$\gamma_{Ms}^{1)}$		1,25								

¹⁾ In absence of other national regulations.

fischer drop-in anchor EA II

Design method A
Characteristic resistance to shear loads

Annex 6

English translation prepared by DIBt

Table 8: Design method A - Characteristic resistance to shear loads

EA II		M6	M8	M8x40	M10x30	M10	M12	M12 D	M16	M20
Concrete pryout failure										
Factor in equation (5.6) of ETAG 001 Annex C, 5.2.3.3	k	1,74	1,88	1,74	1,88	2,0				
Partial safety factor	γ_{Mcp} ¹⁾	1,5 ²⁾								
Concrete edge failure										
Effective length of anchor in shear loading	l_f [mm]	30	30	40	30	40	50	50	65	80
Effective diameter of anchor	$\varnothing d_{nom}$ [mm]	8	10	10	12	12	15	16	20	25
Partial safety factor	γ_{Mc} ¹⁾	1,5 ²⁾								

1) In absence of other national regulations.

2) The installation safety factor $\gamma_2=1,0$ is included.**Table 9:** Displacements under tension and shear loads for EA II galvanised steel

EA II		M6	M8	M8x40	M10x30	M10	M12	M12 D	M16	M20
Tension load in C20/25 to C50/60	N [kN]	4,0	4,0	6,1	4,0	6,1	8,5	8,5	12,6	17,2
Displacement	δ_{No} [mm]	0,1								
	$\delta_{N\infty}$ [mm]	0,2								
Shear load in C20/25 to C50/60	V [kN]	3,9	4,9	6,2	6,2	6,2	11,3	15,2	18,5	29,4
Displacement	δ_{Vo} [mm]	0,95	1,00	1,00	1,05	1,05	1,10	1,10	1,40	1,80
	$\delta_{V\infty}$ [mm]	1,40	1,50	1,50	1,60	1,60	1,70	1,70	2,10	2,70

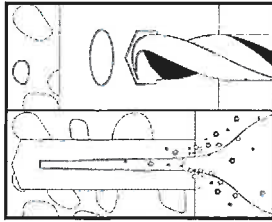
Table 10: Displacements under tension and shear loads for EA II stainless steel

EA II A4		M6	M8	M8x40	M10x30	M10	M12	M12 D	M16	M20
Tension load in C20/25 to C50/60	N [kN]	4,0	4,0	6,1	4,0	6,1	8,5	8,5	12,6	17,2
Displacement	δ_{No} [mm]	0,1								
	$\delta_{N\infty}$ [mm]	0,2								
Shear load in C20/25 to C50/60	V [kN]	3,2	5,6	7,1	7,1	7,1	12,9	13,5	21,1	33,5
Displacement	δ_{Vo} [mm]	0,95	1,00	1,00	1,05	1,05	1,10	1,10	1,40	1,80
	$\delta_{V\infty}$ [mm]	1,40	1,50	1,50	1,60	1,60	1,70	1,70	2,10	2,70

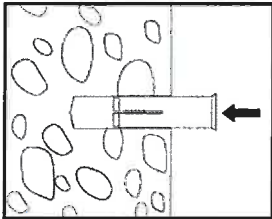
fischer drop-in anchor EA II

Design method A
Characteristic resistance to shear loads
and Displacement values

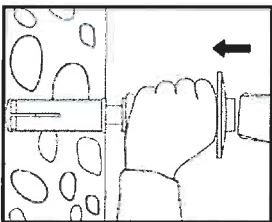
Annex 7



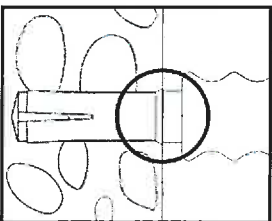
Create bore hole. Blowing out the drill hole.



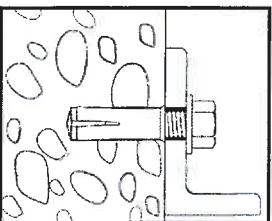
Insert the anchor by hand or by hammer, until it is set at least flush with the surface of the anchorage base.



Spreading of the anchor by drop-in the expansion pin with a corresponding setting tool.



The anchor spreads correctly when the setting tool lies flush with the anchor collar and the marking is visible on the anchor collar (except when using the machine setting tool).



Fasten the fixture. Don't exceed the max. T_{inst} .

fischer drop-in anchor EA II

Installation instruction

Annex 8