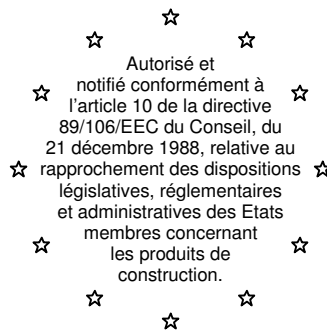


# Centre Scientifique et Technique du Bâtiment

84 avenue Jean Jaurès  
CHAMPS-SUR-MARNE  
F-77447 Marne-la-Vallée Cedex 2  
Tél. : (33) 01 64 68 82 82  
Fax : (33) 01 60 05 70 37



**CSTB**  
le futur en construction

**MEMBRE DE L'EOTA**

## European Technical Approval

## ETA-07/0125

(English language translation, the original version is in French language)

Nom commercial :

Trade name:

**SIMPSON Strong-Tie Concealed beam hangers**

**Jane TU, TUB, TUBS, TU/S**

**ETNM**

**2 rows, 4 rows**

**ALU**

**CBH**

Titulaire :

Holder of approval:

**SIMPSON Strong-Tie**

**ZAC des Quatre Chemins**

**85400 SAINTE GEMME LA PLAINE**

Type générique et utilisation prévue du produit de construction :

Etriers à âme intérieure pour accrochage d'éléments bois massif ou à base de bois sur des supports en bois massif ou à base de bois, ou support rigide type béton, acier.

Generic type and use of construction product:

**Concealed Beam Hangers for connection of solid wood or wood based elements to solid wood or wood based, or rigid support type concrete, steel.**

Validité du :  
au :

**01/11/2009**

**31/10/2014**

Validity from / to:

Usine de fabrication :

Manufacturing plant:

**Plant UK – Winchester Road, Tamworth, B78 3HG, UK**

**Plant DK – Boulstrup, DK-8300 Odder, Denmark**

**Plant FR – Zac des 4 chemins, 85400 Ste Gemme la Plaine, France**

Le présent Agrément technique européen contient :

**This European Technical Approval contains:**

36 pages incluant 8 annexes faisant partie intégrante du document.

**36 pages including 8 annexes which form an integral part of the document.**



Organisation pour l'Agrément Technique Européen  
European Organization for Technical Approvals

# 1 LEGAL BASES AND GENERAL CONDITIONS

1. This European Technical Approval is issued by the Centre Scientifique et Technique du Bâtiment in accordance with:
  - Council Directive 89/106/EEC of 21 December 1988 on the approximation of laws, regulations and administrative provisions of Member States relating to construction products<sup>1</sup>, modified by the Council Directive 93/68/EEC of 22 July 1993<sup>2</sup>;
  - Décret n° 92-647 du 8 juillet 1992<sup>3</sup> concernant l'aptitude à l'usage des produits de construction;
  - Common Procedural Rules for Requesting, Preparing and the Granting of European Technical Approvals set out in the Annex of Commission Decision 94/23/EC<sup>4</sup>;
  - Guideline for European Technical Approval of « Three-Dimensional Nailing Plates » ETAG 015, edition September 2002,
2. The Centre Scientifique et Technique du Bâtiment is authorised to check whether the provisions of this European Technical Approval are met. Checking may take place in the manufacturing plant (for example concerning the fulfilment of assumptions made in this European Technical Approval with regard to manufacturing). Nevertheless, the responsibility for the conformity of the products with the European Technical Approval and for their fitness for the intended use remains with the holder of the European Technical Approval.
3. This European Technical Approval is not to be transferred to manufacturers or agents of manufacturer other than those indicated on page 1; or manufacturing plants other than those indicated on page 1 of this European Technical Approval.
4. This European Technical Approval may be withdrawn by the Centre Scientifique et Technique du Bâtiment pursuant to Article 5 (1) of the Council Directive 89/106/EEC.
5. Reproduction of this European Technical Approval including transmission by electronic means shall be in full. However, partial reproduction can be made with the written consent of the Centre Scientifique et Technique du Bâtiment. In this case partial reproduction has to be designated as such. Texts and drawings of advertising brochures shall not contradict or misuse the European Technical Approval.
6. The European Technical Approval is issued by the approval body in its official language. This version corresponds to the version circulated within EOTA. Translations into other languages have to be designated as such.

---

<sup>1</sup> Official Journal of the European Communities n° L 40, 11.2.1989, p. 12

<sup>2</sup> Official Journal of the European Communities n° L 220, 30.8.1993, p. 1

<sup>3</sup> Journal officiel de la République française du 14 juillet 1992

<sup>4</sup> Official Journal of the European Communities n° L 17, 20.1.1994, p. 34

## 2 SPECIFIC CONDITIONS OF THE EUROPEAN TECHNICAL APPROVAL

### 2.1 Definition of product and intended use

#### 2.1.1 Definition of product

The SIMSPON Strong-Tie Concealed Beam Hangers are three dimensional nailing plates made of pre-galvanized steel Grade S 250 GD + Z275 according to EN 10346:2009 or stainless steel 1.4401 and 1.4404 according to EN 10088 or aluminium AlMgSi 0,7 according to DIN 1749-1. The range addressed by this Approval consists of various hangers which have in common the necessity to practice a notch and holes in the joist for the dowels path : Jane TU, Jane TUB, Jane TUS, Jane TUBS, ETNM, 2 rows and 4 rows, CBH and ALU. They are intended for wood-wood connections and wood-rigid support connections with angles varying from 30° to 90°. The geometry and standard dimensions are given in Annexes 1 to 2.

#### 2.1.2 Intended use

The SIMPSON Strong-Tie Concealed Beam Hangers are intended to be used for connections of joists with rectangular cross sections to their support. The joist may be either of solid sawn or Engineering Wood Product listed in Annex 3 This support may be either a solid sawn element, an Engineering Wood Product listed in Annex 3, or rigid support type concrete or steel part. With regard to moisture behaviour of the support and/or joist , the use is possible in service classes 1 and 2 defined in EN 1995-1-1:2004 for the Concealed Beam Hangers made out of Galvanised steel . The use is possible in service class 1, 2 and 3 defined in EN 1995-1-1:2004 for Concealed Beam Hangers made out of stainless steel 1.4401 and 1.4404 according to EN 10088, in structures subject to internal or external atmospheric exposure (including industrial and marine environment), or exposure in permanently damp internal conditions, if no particular aggressive conditions exist. Such particular aggressive conditions are e.g. permanent, alternating immersion in seawater or the splash zone of seawater, chloride atmosphere of indoor swimming pools or atmosphere with extreme chemical pollution (e.g. in desulphurization plants or road tunnels where de-icing materials are used). They are not intended to be used in areas where they might support seismic actions. They are supposed to be used with specified fasteners mentioned in Annex 2 and according to fastening combinations and nail patterns given in Annexes 3 and 4.

The provisions made in this European Technical Approval are based on an assumed intended working life of the three dimensional nailing plates of 50 years. The indications given on the working life cannot be interpreted as a guarantee given by the producer, but are to be regarded only as a means for choosing the right products in relation to the expected economically reasonable working life of the works.

### 2.2 Characteristics of product and methods of verification

The SIMPSON Strong-Tie Concealed Beam Hangers in the range covered by this ETA corresponds to the drawings and provisions given in Annexes 1 to 4. The characteristic material values, dimensions and tolerances of the Concealed Beam Hangers not indicated in Annexes shall correspond to the respective values laid down in the technical documentation<sup>5</sup> of this European Technical Approval. The mechanical properties of the SIMPSON Strong-Tie Concealed Beam Hangers are given in Annexes 5. Values are established and valid only with nails Ø4.0 x 60 for a timber class C24. Different values are obtained with other nails listed in Annex 3.

Each SIMPSON Strong-Tie Concealed Beam Hanger is marked with the product name.

---

<sup>5</sup> The technical documentation of this European Technical Approval is deposited at the Centre Scientifique et Technique du Bâtiment and, as far as relevant for the tasks of the approved bodies involved in the certification of the Factory Production Control System, is handed over to the approved bodies.

### **2.2.1 ER 1 Mechanical resistance and stability**

The mechanical properties of the SIMPSON Strong-Tie Concealed beam Hangers are given in Annexes 5. No performance determined (NPD) towards seismic action.

The mechanical capacities of the concealed beam hangers are determined by calculation assisted by testing as described in the EOTA Guideline 015 clause 5.1.2. They should be used for designs in accordance with EN-1995-1-1 (Eurocode 5) or a similar national timber code.

The load-bearing capacities given in Annexes 5 of the concealed beam hangers have been determined based on the use of connector nails or 4.0 x 60 in accordance to ETA-04/0013 date to 13 August 2008. It is allowed to use connector screws or connector nails 4.0 x 50 or 4.2 x 50 or 4.2 x 60 in accordance to ETA-04/0013 date to 13 August 2008. Case by case calculations have to be carried out to determine the load-bearing capacity of the connection.

The design also allows the use of threaded nails in accordance to EN 14592 with a diameter in the range 4.0-4.2 mm and a minimum length of 35 mm, assuming a thick steel plate when calculating the lateral nail load-bearing capacity. If no calculations are made a reduction factor equal to the ratio between the characteristic withdrawal capacity of the actual used threaded nail and the characteristic withdrawal capacity of the corresponding connector nail according to table B1 in ETA-04/0013 date to 13 August 2008 is applicable for all load-bearing capacities of the connection.

### **2.2.2 ER 2 Safety in case of fire**

The SIMPSON Strong-Tie Concealed Beam Hangers are made of steel classified to have reaction to fire Class A1.

No performance determined (NPD) for resistance to fire.

### **2.2.3 ER 3 Hygiene, health and environment**

Based on the declaration of the manufacturer, the Concealed Beam Hangers do not contain harmful or dangerous substances as defined in the EU database.

In addition to the specific clauses relating to dangerous substances contained in this European Technical Approval, there may be other requirements applicable to the products falling within its scope (e.g. transposed European legislation and national laws, regulations and administrative provisions). In order to meet the provisions of the EU Construction Product Directive, these requirements need also to be complied with, when and where they apply.

### **2.2.4 ER 4 Safety in use**

Not relevant

### **2.2.5 ER 5 Protection against noise**

Not relevant

### **2.2.6 ER 6 Energy economy and heat retention**

Not relevant.

### **2.2.7 Aspects of durability, serviceability and identification**

The thickness of galvanization (Z275 according to EN 10143) or the aluminium AlMgSi 0,7 is such that a reasonable durability may be expected in service classes 1 and 2 according to EN 1995-1-1:2004, in the conditions stated in the Intended Use §1.2 above.

The use of stainless steel 1.4401 and 1.4404 according to EN 10088 extends the scope to service class 3 according to EN 1995-1-1:2004 in the conditions stated in the Intended Use §1.2 above.

Serviceability of the Concealed Beam Hangers is understood as their ability to resist loads without unacceptable deformations.

## 2.3 Evaluation of Conformity and CE marking

### 2.3.1 Attestation of conformity system

The system of attestation of conformity 2 (ii) (referred to as system 2+) according to Council Directive 89/106/EEC Annex III laid down by the European Commission provides:

1. tasks for the manufacturer:
  - a. initial type-testing and/or calculation of the product,
  - b. factory production control.
2. tasks for the approved body:
  - a. initial inspection of factory and of factory production control
  - b. continuous surveillance, assessment and approval of factory production control.

### 2.3.2 Responsibilities

#### 2.3.2.1 Tasks of the manufacturer, initial type-testing and/or calculation of the product

For initial type testing and/or calculation the results of the tests and/or calculation performed as part of the assessment for the European Technical Approval shall be used unless there are changes in the production line or plant. In such cases the necessary initial type testing and/or calculation has to be agreed between the Centre Scientifique et Technique du Bâtiment and the approved body involved.

#### 2.3.2.2 Tasks of the manufacturer, factory production control

The manufacturer has a factory production control system in the plant and exercises permanent internal control of production. All the elements, requirements and provisions adopted by the manufacturer are documented in a systematic manner in the form of written policies and procedures. This production control system ensures that the product is in conformity with the European Technical Approval.

The manufacturer shall only use steel material supplied with the relevant inspection documents as laid down in the prescribed test plan<sup>6</sup>. The incoming components shall be subject to controls and tests by the manufacturer before acceptance.

The Concealed Beam Hangers shall be subjected to the following tests and controls:

- Material properties of the steel : yield and ultimate tensile strengths, components.
- Thickness of galvanization or stainless steel quality
- Geometry:
  - External dimensions (width, depth and thickness)
  - Holes (place and diameter);
  - Angles.

The frequency of controls and tests conducted during production of the Concealed Beam Hangers is laid down in the prescribed test plan.

The results of factory production control are recorded and evaluated. The records include at least the following information:

- designation of the product, basic material and components;
- type of control or testing;
- date of manufacture of the product and date of testing of the product or basic material and components;
- result of control and testing and, if appropriate, comparison with requirements;
- signature of person responsible for factory production control.

<sup>6</sup>

The prescribed control and test plan has been deposited at the Centre Scientifique et Technique du Bâtiment and is only made available to the approved bodies involved in the conformity attestation procedure.

The records shall be presented to the approved body during the continuous surveillance. On request, they shall be presented to the Centre Scientifique et Technique du Bâtiment.

Details of the extent, nature and frequency of testing and controls to be performed within the factory production control shall correspond to the prescribed test plan which is part of the technical documentation of this European Technical Approval.

### 2.3.2.3 Tasks of the approved body

#### 2.3.2.4 Initial inspection of factory and of factory production control

The approved body shall ascertain that, in accordance with the prescribed test plan, the factory, in particular the staff and equipment, and the factory production control are suitable to ensure continuous and orderly manufacturing of the Concealed Beam Hangers according to the provisions mentioned in the ETA Guideline as well as in the present ETA. This assessment shall be based on an initial inspection of the factory.

#### 2.3.2.5 Continuous surveillance

The approved body shall visit the factory for regular inspection. It has to be verified that the factory production control and the specified manufacturing process are performed and maintained according to the manufacturer's quality manual, including test and /or controls of samples according to the prescribed test plan.

The results of certification of the Factory Production System and continuous surveillance shall be made available on demand by the approved body to the Centre Scientifique et Technique du Bâtiment. In cases where the provisions of the European Technical Approval and the prescribed control and test plan are no longer fulfilled the certificate of the Factory Production Control system shall be withdrawn.

#### 2.3.2.6 Certification

The approved body will issue Certificate(s) of conformity of the Factory Production Control System.

### 2.3.3 CE-Marking

The CE marking shall be affixed on each packaging. The CE-marking shall be accompanied by the following information:

- identification number of the certification body;
- name or identifying mark of the producer and manufacturing plant;
- the last two digits of the year in which the CE-marking was affixed;
- number of the EC certificate of conformity;
- number of the European Technical Approval;
- Concealed Beam Hanger name and type according to Annexes 1 and 2 for the specification of the mechanical properties according to Annexes 9 to 17 of this ETA.

## 2.4 Assumptions under which the fitness of the product for the intended use was favorably assessed

### 2.4.1 Manufacturing

SIMPSON Strong-Tie Concealed Beam Hangers are manufactured in the factories in accordance with the provisions of the European Technical Approval as identified by the Centre Scientifique et Technique du Bâtiment and the notified body.

### 2.4.2 Installation

SIMPSON Strong-Tie Concealed Beam Hangers shall be installed on the basis of a specific structural design for each installation, using the load-bearing capacities given in Annexes 5 and applying the appropriate  $k_{mod}$  factor depending on the relevant service class / load duration and the appropriate National partial safety factor for materials.

The fixing of the Concealed Beam Hangers to the support shall use the appropriate nails or screws in case of solid wood or wood-based support, appropriate CE marked metal anchors for use in concrete in case of

concrete support. The load bearing capacities indicated in the Annexes are given provided that the fixing device has been appropriately designed and installed.

The Concealed Beam Hangers shall be installed by appropriately qualified personnel, following an installation plan and relevant construction details worked out for each individual building project. The installation plan shall be based on the manufacturers general guide and provisions for installing SIMPSON Strong-Tie connections.

### **2.4.3 Responsibility of the manufacturer**

It is the manufacturer's responsibility to ensure that the information on the specific conditions according to 1 and 2 including Annexes is given to those who are concerned. This information may be made by reproduction of the respective parts of the European Technical Approval. In addition all installation data shall be shown clearly on the package and/or on an enclosed instruction sheet, preferably using illustration(s).

Minimum requirements for the different support:

- Nails, screws or dowels specifications
- information on the installation procedure, preferably by means of an illustration
- minimum edge distances for fixing elements (in the case of nails, screws or dowels according to EN 1995-1-1:2004, in the case of anchors according to the relevant ETA)
- identification of the manufacturing batch.

All data shall be presented in a clear and explicit form.

## **2.5 Recommendations**

### **2.5.1 Recommendations on packaging, transport and storage**

The Concealed Beam Hangers shall be protected against harmful wetting during transport and storage. They also must be protected against deformations.

The manufacturer shall ensure that the information of these provisions is given to those concerned.

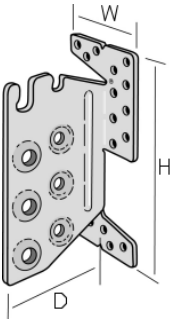
### **2.5.2 Recommendations on use**

Before the installation, it shall be controlled that the Concealed Beam Hangers are not damaged.

It is not allowed to drill new holes in the Hangers or to modify their geometry in any way.

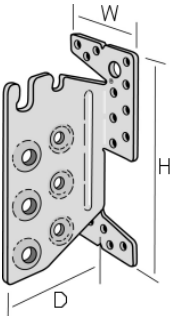
The original version is signed by  
the Technical Manager  
H. BERRIER

Jane TU



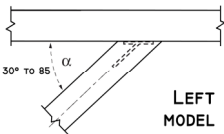
| Model N° | Width W | Height H | Depth | Skew Angle |           |
|----------|---------|----------|-------|------------|-----------|
|          | (mm)    |          |       | degree     | Direction |
| TU12     | 40      | 96       | 101   | 90°        | ~         |
| TU16     | 60      | 134      | 108   | 90°        | ~         |
| TU20     | 60      | 174      | 108   | 90°        | ~         |
| TU24     | 60      | 214      | 108   | 90°        | ~         |
| TU28     | 60      | 254      | 108   | 90°        | ~         |

Jane TUB



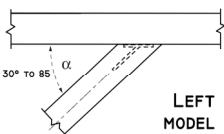
| Model N° | Width W | Height H | Depth | Skew Angle |           |
|----------|---------|----------|-------|------------|-----------|
|          | (mm)    |          |       | degree     | Direction |
| TUB16    | 60      | 134      | 108   | 90°        | ~         |
| TUB20    | 60      | 174      | 108   | 90°        | ~         |
| TUB24    | 60      | 214      | 108   | 90°        | ~         |
| TUB28    | 60      | 254      | 108   | 90°        | ~         |

Jane TUS



| Model N° | Width W | Height H | Depth | Angle     |           |
|----------|---------|----------|-------|-----------|-----------|
|          | (mm)    |          |       | degree    | Direction |
| TU/SL12  | 40      | 96       | 101   | 30 to 85° | Left      |
| TU/SL16  | 60      | 134      | 108   | 30 to 85° | Left      |
| TU/SL20  | 60      | 174      | 108   | 30 to 85° | Left      |
| TU/SL24  | 60      | 214      | 108   | 30 to 85° | Left      |
| TU/SL28  | 60      | 254      | 108   | 30 to 85° | Left      |
| TU/SR12  | 40      | 96       | 101   | 30 to 85° | Right     |
| TU/SR16  | 60      | 134      | 108   | 30 to 85° | Right     |
| TU/SR20  | 60      | 174      | 108   | 30 to 85° | Right     |
| TU/SR24  | 60      | 214      | 108   | 30 to 85° | Right     |
| TU/SR28  | 60      | 254      | 108   | 30 to 85° | Right     |

Jane TUBS

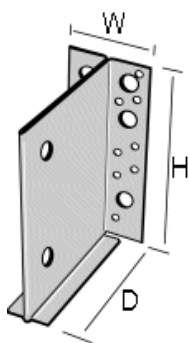


| Model N° | Width W | Height H | Depth | Angle     |           |
|----------|---------|----------|-------|-----------|-----------|
|          | (mm)    |          |       | degree    | Direction |
| TUBSL16  | 60      | 134      | 108   | 30 to 85° | Left      |
| TUBSL20  | 60      | 174      | 108   | 30 to 85° | Left      |
| TUBSL24  | 60      | 214      | 108   | 30 to 85° | Left      |
| TUBSL28  | 60      | 254      | 108   | 30 to 85° | Left      |
| TUBSR16  | 60      | 134      | 108   | 30 to 85° | Right     |
| TUBSR20  | 60      | 174      | 108   | 30 to 85° | Right     |
| TUBSR24  | 60      | 214      | 108   | 30 to 85° | Right     |
| TUBSR28  | 60      | 254      | 108   | 30 to 85° | Right     |

|   |                 |
|---|-----------------|
| Simpson Strong-Tie – Concealed Beam Hangers | <b>ANNEXE 1</b> |
| GEOMETRY                                    | ETA-07/0125     |

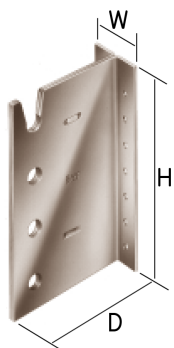


ETNM



| Model N°      | Width W | Height H | Depth | Angle  |           |
|---------------|---------|----------|-------|--------|-----------|
|               | (mm)    |          |       | degree | Direction |
| ETNM135/130/2 | 70      | 135      | 130   | 90°    | ~         |
| ETNM155/130/2 | 70      | 155      | 130   | 90°    | ~         |
| ETNM185/130/2 | 70      | 185      | 130   | 90°    | ~         |
| ETNM230/130/2 | 80      | 230      | 130   | 90°    | ~         |

2 rows



| Model N° | Width W | Height H | Depth | Angle  |           |
|----------|---------|----------|-------|--------|-----------|
|          | (mm)    |          |       | degree | Direction |
| 34090    | 46      | 90       | 103   | 90°    | ~         |
| 34120    | 46      | 120      | 103   | 90°    | ~         |
| 34160    | 46      | 160      | 103   | 90°    | ~         |
| 34200    | 46      | 200      | 103   | 90°    | ~         |
| 34240    | 46      | 240      | 103   | 90°    | ~         |

4 rows



| Model N° | Width W | Height H | Depth | Angle  |           |
|----------|---------|----------|-------|--------|-----------|
|          | (mm)    |          |       | degree | Direction |
| 34409    | 62      | 90       | 103   | 90°    | ~         |
| 34412    | 62      | 120      | 103   | 90°    | ~         |
| 34416    | 62      | 160      | 103   | 90°    | ~         |
| 34420    | 62      | 200      | 103   | 90°    | ~         |
| 34424    | 62      | 240      | 103   | 90°    | ~         |

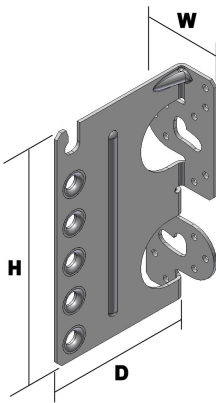
|   |                 |
|---|-----------------|
| Simpson Strong-Tie – Concealed Beam Hangers | <b>ANNEXE 1</b> |
| GEOMETRY                                    | ETA-07/0125     |

ALU



| Model N°     | Width W | Height H | Depth | Angle  |           |
|--------------|---------|----------|-------|--------|-----------|
|              | (mm)    |          |       | degree | Direction |
| <b>34509</b> | 62      | 86       | 109   | 90°    | ~         |
| <b>34512</b> | 62      | 116      | 109   | 90°    | ~         |
| <b>34516</b> | 62      | 156      | 109   | 90°    | ~         |
| <b>34520</b> | 62      | 196      | 109   | 90°    | ~         |
| <b>34524</b> | 62      | 236      | 109   | 90°    | ~         |
| <b>34503</b> | 62      | 3000     | 109   | 90°    |           |

CBH



| Model N°          | Width W | Height H | Depth D | Angle  |           |
|-------------------|---------|----------|---------|--------|-----------|
|                   | (mm)    |          |         | degree | Direction |
| <b>CBH150/2,5</b> | 60      | 150      | 113,5   | 90°    | ~         |
| <b>CBH180/2,5</b> | 60      | 180      | 113,5   | 90°    | ~         |
| <b>CBH220/2,5</b> | 60      | 220      | 113,5   | 90°    | ~         |

|   |                 |
|---|-----------------|
| Simpson Strong-Tie – Concealed Beam Hangers | <b>ANNEXE 1</b> |
| GEOMETRY                                    | ETA-07/0125     |

### 2.5.3 Requirements for the fasteners :

| NAILS diameter                | Length<br>Min – max                        | Nail type   |
|-------------------------------|--|---|
| 4.00                          | 35 - 60                                    | Connector nail according to<br>ETA-04/0013 or<br>Acc. to EN 14592 |
| 4.20                          | 35 - 60                                    |   |
| SCREW diameter                | Length<br>Min – max                        | Screw type  |
| 5.00                          | 40 - 50                                    | Connector screw according to<br>ETA-04/0013                       |
| Bolts or anchors*<br>diameter | Length                                     | Bolt type   |
| M8, M10 or M12                | Acc. to specific ETA or<br>acc. to EN 1993 | Acc. to specific ETA or<br>acc. to EN 1993                        |
| DOWELS diameter               | Length<br>Min – max                        | Dowels type   |
| 8.00                          | 45 - 160                                   | Acc. To EN 14592  |
| 10.00                         | 60 - 200                                   |   |
| 12.00                         | 60 - 200                                   |   |

\* In case of concrete support, different types of anchors are permitted to be used provided that they have been assessed through the ETA procedure : mechanical, bonded anchors or concrete screws.

### 2.5.4 Requirements for the header or the joist

The wood members can be of solid timber, glued laminated timber and similar glued members, or wood-based structural members.

These requirements to the material of the wood members can be fulfilled by using the following materials:

- Solid timber classified to C24 or better according to EN 338
- Glued members of timber classified to C24 or better according to EN 338 when structural adhesives are used.
- Glued laminated timber classified to GL24c or better according to EN 1194.
- Solid Wood Panels, SWP according to EN 13353.
- Laminated Veneer Lumber LVL according to EN 14374
- Plywood according to EN 636
- Other Engineering Wood products classified for their resistance and with certified mechanical performances for fasteners

The characteristic density of the wood members shall be at least 350 kg/m<sup>3</sup>. Lower densities are applicable but the load bearing capacities shall be reduced by the  $k_{dens}$  factor, given by

$$k_{dens} = \left( \frac{\rho_k}{350} \right)^2 \quad \text{Where } \rho_k \text{ is the characteristic density of the timber in kg/m}^3.$$

The wood members shall have a thickness which is larger than the penetration depth of the nails into the members

In case of concrete support, concrete shall be specified according to EN 206-1 with a resistance class within the following range : C20/25 to C50/60.

|   |                 |
|---|-----------------|
| Simpson Strong-Tie – Concealed Beam Hangers | <b>ANNEXE 2</b> |
| FASTENERS : nails, screw and dowels         | ETA-07/0125     |
| MATERIAL OF HEADERS AND JOISTS              |                 |

| Hanger Type | Header Fasteners     |                            | Joist Fasteners |               |
|-------------|----------------------|----------------------------|-----------------|---------------|
|             | Ø4.0 Connector nails | Bolt M12<br>Concrete screw | Dowels<br>Ø8    | Dowels<br>Ø12 |
| TU12        | 6                    | ~                          | 4               | ~             |
| TU16        | 18                   | ~                          | ~               | 3             |
| TU20        | 22                   | ~                          | ~               | 4             |
| TU24        | 26                   | ~                          | ~               | 5             |
| TU28        | 30                   | ~                          | ~               | 6             |
| TUB16       | 16                   | 2                          | 4               | ~             |
| TUB20       | 20                   | 2                          | ~               | 3             |
| TUB24       | 24                   | 2                          | ~               | 4             |
| TUB28       | 28                   | 2                          | ~               | 5             |
| TU/S 12     | 6                    | ~                          | 4               | ~             |
| TU/S 16     | 18                   | ~                          | ~               | 3             |
| TU/S 20     | 22                   | ~                          | ~               | 4             |
| TU/S 24     | 26                   | ~                          | ~               | 5             |
| TU/S 28     | 30                   | ~                          | ~               | 6             |
| TUBS16      | 16                   | 2                          | 4               | ~             |
| TUBS20      | 20                   | 2                          | ~               | 3             |
| TUBS24      | 24                   | 2                          | ~               | 4             |
| TUBS28      | 28                   | 2                          | ~               | 5             |

**Fastening Combinations for Jane TU, TUB, TUS, TUBS Concealed Beam Hangers**

| Hanger Type   | Header Fasteners     |                            | Joist Fasteners |               |
|---------------|----------------------|----------------------------|-----------------|---------------|
|               | Ø4.0 connector nails | Bolt M12<br>Concrete screw | Dowels<br>Ø8    | Dowels<br>Ø12 |
| ETNM135/130/2 | 14                   | 5                          | ~               | 2             |
| ETNM155/130/2 | 15                   | 6                          | ~               | 2             |
| ETNM185/130/2 | 18                   | 6                          | ~               | 2             |
| ETNM230/130/2 | 22                   | 6                          | ~               | 3             |
| 2 rows 34090  | 8                    | ~                          | 4               |               |
| 2 rows 34120  | 10                   | ~                          | ~               | 3             |
| 2 rows 34160  | 14                   | ~                          | ~               | 4             |
| 2 rows 34200  | 18                   | ~                          | ~               | 5             |
| 2 rows 34240  | 22                   | ~                          | ~               | 6             |
| 4 rows 34490  | 16                   | ~                          | 4               |               |
| 4 rows 34412  | 20                   | ~                          | ~               | 3             |
| 4 rows 34416  | 28                   | ~                          | ~               | 4             |
| 4 rows 34420  | 36                   | ~                          | ~               | 5             |
| 4 rows 34424  | 44                   | ~                          | ~               | 6             |

**Fastening Combinations for ETNM, 2 rows and 4 rows Concealed Beam Hangers**

|   |                 |
|---|-----------------|
| Simpson Strong-Tie – Concealed Beam Hangers | <b>ANNEXE 3</b> |
| FASTENING COMBINATIONS                      | ETA-07/0125     |

| Hanger Type | Header Fasteners   |                                | Joist Fasteners                |
|-------------|--|--------------------------------|--------------------------------|
|             | Nails or screw<br>Acc. to ETA-04/0013 or<br>Acc. to EN 14592 | Bolts<br>Anchors<br>Wood screw | Dowels Ø10<br>Acc. to EN 14592 |
| CBH150/2,5  | 14   | 1-Ø10<br>1-Ø8                  | 5                              |
| CBH180/2,5  | 16   | 2-Ø10                          | 6                              |
| CBH220/2,5  | 22   | 2-Ø10                          | 7                              |

**Fastening Combinations for CBH Concealed Beam Hangers**

Washers for a wood/rigid support connection:

The minimum dimensions have to be used:

- Bolts Ø10 + washers M10 (Øext = 20 mm – Øint = 11 mm)
- Bolts Ø8 + Washers M8 (Øext = 16 mm – Øint = 8,5 mm) for CBH150

|   |                 |
|---|-----------------|
| Simpson Strong-Tie – Concealed Beam Hangers | <b>ANNEXE 3</b> |
| FASTENING COMBINATIONS                      | ETA-07/0125     |

| MODELS      | BEAM to BEAM             | BEAM to POST             | MODELS      | BEAM to BEAM             | BEAM to POST             |
|-------------|--------------------------|--------------------------|-------------|--------------------------|--------------------------|
| <b>TU12</b> |                          |                          | <b>TU24</b> |                          |                          |
|             | 6 nails<br>4 dowels Ø8   | 6 nails<br>4 dowels Ø8   |             | 26 nails<br>5 dowels Ø12 | 18 nails<br>5 dowels Ø12 |
| <b>TU16</b> |                          |                          | <b>TU28</b> |                          |                          |
|             | 18 nails<br>3 dowels Ø12 | 14 nails<br>3 dowels Ø12 |             | 30 nails<br>6 dowels Ø12 | 18 nails<br>6 dowels Ø12 |
| <b>TU20</b> |                          |                          |             |                          |                          |
|             | 22 nails<br>4 dowels Ø12 | 14 nails<br>4 dowels Ø12 |             |                          |                          |

|   |                 |
|---|-----------------|
| Simpson Strong-Tie – Concealed Beam Hangers | <b>ANNEXE 4</b> |
| NAILS PATTERNS : Header column or beam      | ETA-07/0125     |

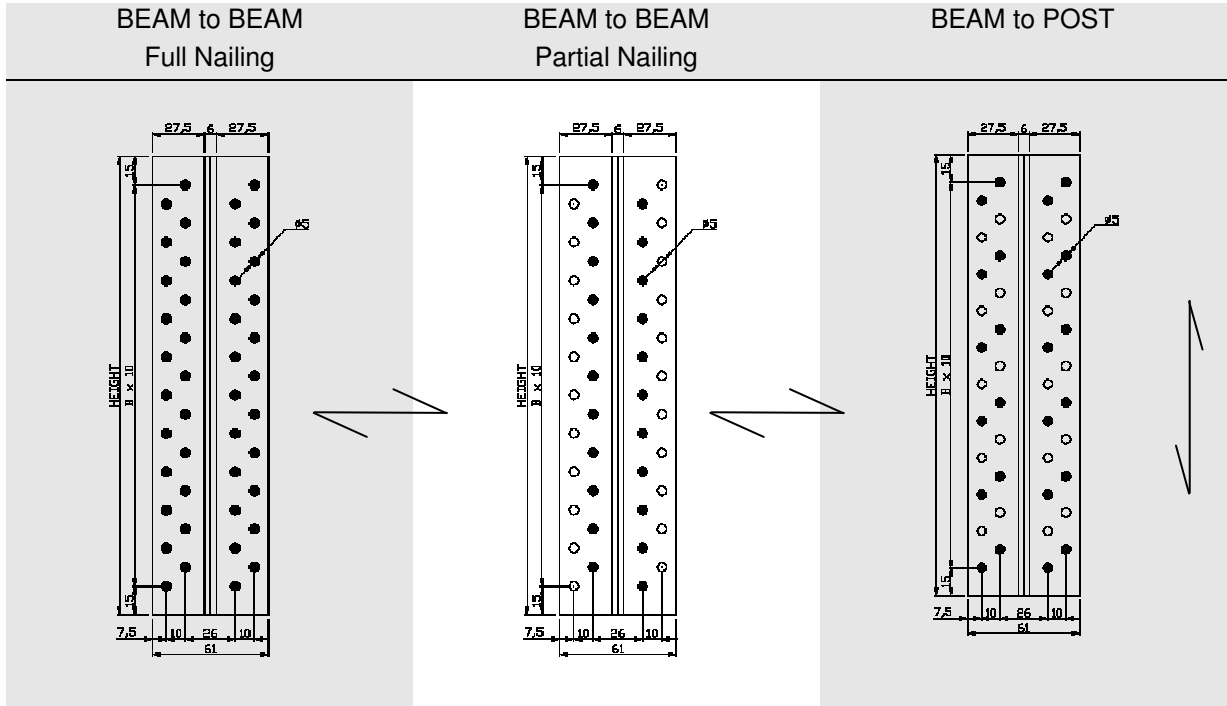
| MODELS       | BEAM to BEAM             | BEAM to POST             | MODELS       | BEAM to BEAM             | BEAM to POST             |
|--------------|--------------------------|--------------------------|--------------|--------------------------|--------------------------|
| <b>TUB16</b> |                          |                          | <b>TUB24</b> |                          |                          |
|              | 16 nails<br>3 dowels Ø12 | 12 nails<br>3 dowels Ø12 |              | 24 nails<br>5 dowels Ø2  | 16 nails<br>5 dowels Ø12 |
| <b>TUB20</b> |                          |                          | <b>TUB28</b> |                          |                          |
|              | 20 nails<br>4 dowels Ø12 | 12 nails<br>4 dowels Ø12 |              | 28 nails<br>6 dowels Ø12 | 16 nails<br>6 dowels Ø12 |

|   |                 |
|---|-----------------|
| Simpson Strong-Tie – Concealed Beam Hangers | <b>ANNEXE 4</b> |
| NAILS PATTERNS : Header column or beam      | ETA-07/0125     |

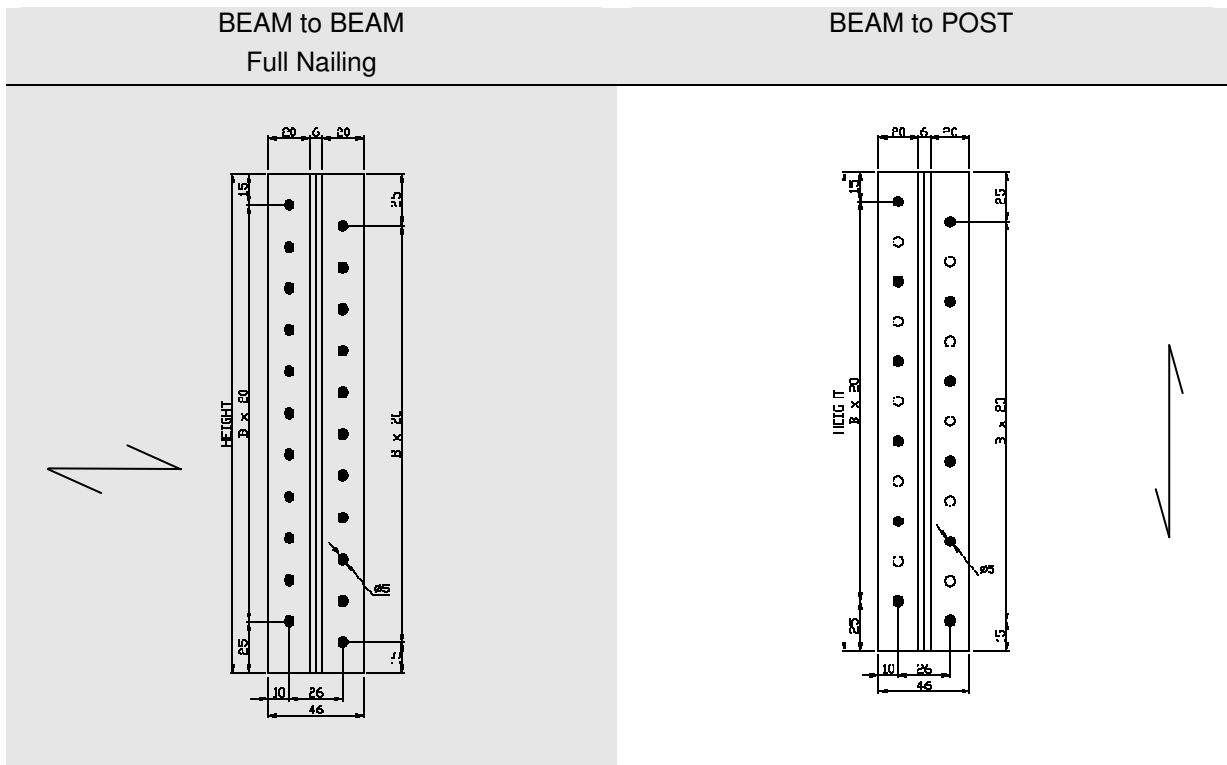




**4 rows - ALU**



**2 rows**



|   |                 |
|---|-----------------|
| Simpson Strong-Tie – Concealed Beam Hangers | <b>ANNEXE 4</b> |
| NAILS PATTERNS : Header column or beam      | ETA-07/0125     |

All values given in Annexes 5 are established with nails CNA Ø4.0 x 60 according to ETA-04/0013 date to 13 August 2008 and for timber class C24.

| Joist width | Timber classe C24 – Ring shank nails Ø4,0x60 |         |         |         |
|-------------|--|---------|---------|---------|
|             | ETNM135                                      | ETNM155 | ETNM185 | ETNM230 |
| 60          | 12,4   | 15,3    | 18,1    | 27,9    |
| 80          | 13,0   | 15,9    | 18,7    | 28,7    |
| 100         | 13,8   | 16,9    | 19,8    | 30,2    |
| 120         | 14,9   | 18,1    | 21,3    | 32,2    |
| 140         | 16,1   | 19,5    | 22,9    | 34,4    |
| 160         | 17,4   | 20,9    | 24,7    | 36,7    |

#### Connection between header beams and supported joist

| Joist width | Timber classe C24 – Ring shank nails Ø4,0x60 |         |         |         |
|-------------|--|---------|---------|---------|
|             | ETNM135                                      | ETNM155 | ETNM185 | ETNM230 |
| 60          | 11,6   | 13,8    | 16,2    | 26,6    |
| 80          | 12,2   | 14,4    | 16,9    | 27,4    |
| 100         | 13,1   | 15,3    | 18,0    | 28,9    |
| 120         | 14,1   | 16,5    | 19,4    | 30,7    |
| 140         | 15,3   | 17,7    | 20,9    | 32,7    |
| 160         | 16,5   | 19,0    | 22,5    | 34,8    |

#### Connection between columns and supported joist

|   |                 |
|---|-----------------|
| Simpson Strong-Tie – Concealed Beam Hangers | <b>ANNEXE 5</b> |
| CHARACTERISTIC VALUES                       | ETA-07/0125     |

| Skew $\alpha_N$ | 60                                  | 80   | 100  | 120  | 140  | 160  | 60                                  | 80   | 100  | 120  | 140  | 160  | 60                                   | 80   | 100  | 120  | 140  | 160  | 60                                   | 80   | 100  | 120  | 140  | 160  | 60                                   | 80   | 100  | 120  | 140  | 160  |
|-----------------|-------------------------------------|------|------|------|------|------|-------------------------------------|------|------|------|------|------|--------------------------------------|------|------|------|------|------|--------------------------------------|------|------|------|------|------|--------------------------------------|------|------|------|------|------|
| <b>0</b>        | <b>Slope <math>\beta_s</math> 0</b> |      |      |      |      |      | <b>Slope <math>\beta_s</math> 5</b> |      |      |      |      |      | <b>Slope <math>\beta_s</math> 10</b> |      |      |      |      |      | <b>Slope <math>\beta_s</math> 15</b> |      |      |      |      |      | <b>Slope <math>\beta_s</math> 20</b> |      |      |      |      |      |
| TU12            | 8,5                                 | 9,4  | 10,5 | 11,0 | 11,0 | 11,0 | 8,5                                 | 9,4  | 10,5 | 11,0 | 11,0 | 11,0 | 8,5                                  | 9,4  | 10,5 | 11,0 | 11,0 | 11,0 | 8,5                                  | 9,4  | 10,5 | 11,0 | 11,0 | 11,0 | 8,5                                  | 9,4  | 10,5 | 11,0 | 11,0 | 11,0 |
| TU16            | 19,1                                | 19,6 | 20,7 | 22   | 23,4 | 25   | 18,9                                | 19,4 | 20,4 | 21,6 | 23   | 24,5 | 18,7                                 | 19,1 | 20,1 | 21,3 | 22,6 | 24   | 18,5                                 | 18,9 | 19,8 | 20,9 | 22,2 | 23,6 | 18,3                                 | 18,7 | 19,5 | 20,6 | 21,8 | 23,1 |
| TU20            | 28,8                                | 29,6 | 31,1 | 33,1 | 35,2 | 37,5 | 28,4                                | 29,2 | 30,7 | 32,5 | 34,6 | 36,8 | 28,2                                 | 28,8 | 30,2 | 32   | 33,9 | 36   | 27,9                                 | 28,5 | 29,8 | 31,4 | 33,3 | 35,3 | 27,7                                 | 28,2 | 29,4 | 31   | 32,8 | 34,7 |
| TU24            | 39,1                                | 40,2 | 42,2 | 44,8 | 47,6 | 50,5 | 38,7                                | 39,6 | 41,6 | 44   | 46,8 | 49,6 | 38,3                                 | 39,2 | 41   | 43,3 | 45,9 | 48,6 | 38                                   | 38,7 | 40,4 | 42,6 | 45,1 | 47,8 | 37,7                                 | 38,4 | 39,9 | 42   | 44,4 | 47   |
| TU28            | 49,8                                | 51,1 | 53,6 | 56,8 | 60,2 | 63,7 | 49,3                                | 50,4 | 52,8 | 55,8 | 59,2 | 62,5 | 48,9                                 | 49,8 | 52,1 | 55   | 58,2 | 61,4 | 48,5                                 | 49,3 | 51,4 | 54,2 | 57,2 | 60,4 | 47,8                                 | 48,9 | 50,9 | 53,5 | 56,4 | 59,5 |
| <b>30</b>       | <b>Slope <math>\beta_s</math> 0</b> |      |      |      |      |      | <b>Slope <math>\beta_s</math> 5</b> |      |      |      |      |      | <b>Slope <math>\beta_s</math> 10</b> |      |      |      |      |      | <b>Slope <math>\beta_s</math> 15</b> |      |      |      |      |      | <b>Slope <math>\beta_s</math> 20</b> |      |      |      |      |      |
| TUS16           | 16                                  | 16,5 | 17,3 | 18,4 | 19,5 | 20,8 | 15,8                                | 16,3 | 17,1 | 18,1 | 19,2 | 20,4 | 15,7                                 | 16,1 | 16,9 | 17,8 | 18,9 | 20,1 | 15,5                                 | 15,9 | 16,6 | 17,6 | 18,6 | 19,7 | 15,4                                 | 15,7 | 16,4 | 17,3 | 18,3 | 19,3 |
| TUS20           | 25,9                                | 26,6 | 27,9 | 29,5 | 31,3 | 33,1 | 25,7                                | 26,3 | 27,5 | 29,1 | 30,8 | 32,6 | 25,4                                 | 26   | 27,1 | 28,6 | 30,3 | 32   | 25,2                                 | 25,7 | 26,8 | 28,2 | 29,8 | 31,4 | 25                                   | 25,4 | 26,4 | 27,8 | 29,3 | 30,9 |
| TUS24           | 35,5                                | 36,4 | 38,2 | 40,3 | 42,7 | 45,2 | 35,1                                | 36   | 37,6 | 39,7 | 42   | 44,4 | 34,8                                 | 35,5 | 37,1 | 39,1 | 41,3 | 43,6 | 34,5                                 | 35,1 | 36,6 | 38,5 | 40,6 | 42,9 | 34,2                                 | 34,8 | 36,2 | 37,9 | 40   | 42,1 |
| TUS28           | 45,5                                | 46,7 | 48,9 | 51,6 | 54,6 | 57,7 | 45,1                                | 46,1 | 48,2 | 50,8 | 53,7 | 56,7 | 44,7                                 | 45,6 | 47,5 | 50   | 52,8 | 55,7 | 44,3                                 | 45,1 | 46,9 | 49,3 | 52   | 54,8 | 44                                   | 44,7 | 46,4 | 48,7 | 51,2 | 53,9 |
| <b>45</b>       | <b>Slope <math>\beta_s</math> 0</b> |      |      |      |      |      | <b>Slope <math>\beta_s</math> 5</b> |      |      |      |      |      | <b>Slope <math>\beta_s</math> 10</b> |      |      |      |      |      | <b>Slope <math>\beta_s</math> 15</b> |      |      |      |      |      | <b>Slope <math>\beta_s</math> 20</b> |      |      |      |      |      |
| TUS16           | 16,1                                | 16,6 | 17,5 | 18,5 | 19,7 | 20,9 | 16                                  | 16,4 | 17,2 | 18,3 | 19,4 | 20,6 | 15,8                                 | 16,2 | 17   | 18   | 19,1 | 20,2 | 15,6                                 | 16   | 16,8 | 17,7 | 18,8 | 19,9 | 15,5                                 | 15,8 | 16,5 | 17,4 | 18,4 | 19,5 |
| TUS20           | 26,1                                | 26,8 | 28,1 | 29,8 | 31,5 | 33,4 | 25,8                                | 26,5 | 27,7 | 29,3 | 31   | 32,8 | 25,6                                 | 26,2 | 27,3 | 28,8 | 30,5 | 32,3 | 25,3                                 | 25,9 | 27   | 28,4 | 30   | 31,7 | 25,1                                 | 25,6 | 26,6 | 28   | 29,5 | 31,1 |
| TUS24           | 35,7                                | 36,7 | 38,4 | 40,6 | 43   | 45,5 | 35,4                                | 36,2 | 37,9 | 40   | 42,3 | 44,7 | 35                                   | 35,8 | 37,4 | 39,4 | 41,6 | 43,9 | 34,7                                 | 35,4 | 36,9 | 38,8 | 40,9 | 43,2 | 34,4                                 | 35   | 36,4 | 38,2 | 40,3 | 42,4 |
| TUS28           | 45,8                                | 47   | 49,2 | 52   | 55   | 58   | 45,4                                | 46,4 | 48,5 | 51,2 | 54,1 | 57   | 45                                   | 45,9 | 47,9 | 50,4 | 53,2 | 56,1 | 44,6                                 | 45,4 | 47,3 | 49,7 | 52,3 | 55,1 | 44,3                                 | 45   | 46,7 | 49   | 51,6 | 54,3 |
| <b>60</b>       | <b>Slope <math>\beta_s</math> 0</b> |      |      |      |      |      | <b>Slope <math>\beta_s</math> 5</b> |      |      |      |      |      | <b>Slope <math>\beta_s</math> 10</b> |      |      |      |      |      | <b>Slope <math>\beta_s</math> 15</b> |      |      |      |      |      | <b>Slope <math>\beta_s</math> 20</b> |      |      |      |      |      |
| TUS16           | 16,3                                | 16,8 | 17,7 | 18,8 | 20   | 21,2 | 16,2                                | 16,6 | 17,5 | 18,5 | 19,7 | 20,9 | 16                                   | 16,4 | 17,2 | 18,2 | 19,3 | 20,5 | 15,8                                 | 16,2 | 17   | 17,9 | 19   | 20,1 | 15,7                                 | 16   | 16,7 | 17,6 | 18,7 | 19,8 |
| TUS20           | 26,4                                | 27,1 | 28,5 | 30,1 | 31,9 | 33,8 | 26,1                                | 26,8 | 28,1 | 29,7 | 31,4 | 33,2 | 25,9                                 | 26,5 | 27,7 | 29,2 | 30,9 | 32,7 | 25,6                                 | 26,2 | 27,3 | 28,7 | 30,4 | 32,1 | 25,4                                 | 25,9 | 26,9 | 28,3 | 29,9 | 31,5 |
| TUS24           | 36,1                                | 37,1 | 38,9 | 41,1 | 43,5 | 45,9 | 35,8                                | 36,6 | 38,3 | 40,5 | 42,8 | 45,2 | 35,4                                 | 36,2 | 37,8 | 39,8 | 42,1 | 44,4 | 35,1                                 | 35,8 | 37,3 | 39,2 | 41,4 | 43,6 | 34,8                                 | 35,4 | 36,8 | 38,7 | 40,8 | 42,9 |
| TUS28           | 46,3                                | 47,5 | 49,8 | 52,5 | 55,5 | 58,4 | 45,9                                | 46,9 | 49,1 | 51,7 | 54,6 | 57,5 | 45,5                                 | 46,4 | 48,4 | 50,9 | 53,7 | 56,5 | 45,1                                 | 45,9 | 47,8 | 50,2 | 52,9 | 55,6 | 44,8                                 | 45,5 | 47,3 | 49,6 | 52,1 | 54,8 |
| <b>75</b>       | <b>Slope <math>\beta_s</math> 0</b> |      |      |      |      |      | <b>Slope <math>\beta_s</math> 5</b> |      |      |      |      |      | <b>Slope <math>\beta_s</math> 10</b> |      |      |      |      |      | <b>Slope <math>\beta_s</math> 15</b> |      |      |      |      |      | <b>Slope <math>\beta_s</math> 20</b> |      |      |      |      |      |
| TUS16           | 16,6                                | 17,2 | 18,1 | 19,2 | 20,4 | 21,6 | 16,5                                | 17   | 17,8 | 18,9 | 20,1 | 21,3 | 16,3                                 | 16,8 | 17,6 | 18,6 | 19,7 | 20,9 | 16,2                                 | 16,5 | 17,3 | 18,3 | 19,4 | 20,5 | 16                                   | 16,4 | 17,1 | 18   | 19   | 20,1 |
| TUS20           | 26,9                                | 27,6 | 29   | 30,7 | 32,5 | 34,4 | 26,6                                | 27,3 | 28,6 | 30,2 | 32   | 33,8 | 26,3                                 | 26,9 | 28,2 | 29,7 | 31,4 | 33,2 | 26,1                                 | 26,6 | 27,8 | 29,3 | 30,9 | 32,6 | 25,9                                 | 26,4 | 27,4 | 28,8 | 30,4 | 32,1 |
| TUS24           | 36,8                                | 37,7 | 39,6 | 41,8 | 44,2 | 46,6 | 36,4                                | 37,3 | 39   | 41,2 | 43,5 | 45,9 | 36                                   | 36,8 | 38,4 | 40,5 | 42,8 | 45,1 | 35,7                                 | 36,4 | 37,9 | 39,9 | 42,1 | 44,3 | 35,4                                 | 36,1 | 37,5 | 39,4 | 41,4 | 43,6 |
| TUS28           | 47,1                                | 48,3 | 50,6 | 53,3 | 56,2 | 59   | 46,6                                | 47,7 | 49,8 | 52,5 | 55,4 | 58,1 | 46,2                                 | 47,1 | 49,2 | 51,7 | 54,5 | 57,2 | 45,8                                 | 46,7 | 48,6 | 51   | 53,7 | 56,4 | 45,5                                 | 46,3 | 48   | 50,3 | 52,9 | 55,5 |
| <b>85</b>       | <b>Slope <math>\beta_s</math> 0</b> |      |      |      |      |      | <b>Slope <math>\beta_s</math> 5</b> |      |      |      |      |      | <b>Slope <math>\beta_s</math> 10</b> |      |      |      |      |      | <b>Slope <math>\beta_s</math> 15</b> |      |      |      |      |      | <b>Slope <math>\beta_s</math> 20</b> |      |      |      |      |      |
| TUS16           | 17                                  | 17,5 | 18,4 | 19,5 | 20,7 | 22   | 16,8                                | 17,3 | 18,2 | 19,2 | 20,4 | 21,6 | 16,6                                 | 17,1 | 17,9 | 18,9 | 20,1 | 21,3 | 16,5                                 | 16,9 | 17,6 | 18,6 | 19,7 | 20,9 | 16,3                                 | 16,7 | 17,4 | 18,3 | 19,4 | 20,5 |
| TUS20           | 27,3                                | 28,1 | 29,5 | 31,2 | 33   | 34,9 | 27,1                                | 27,7 | 29,1 | 30,7 | 32,5 | 34,3 | 26,8                                 | 27,4 | 28,6 | 30,2 | 32   | 33,7 | 26,5                                 | 27,1 | 28,3 | 29,7 | 31,4 | 33,2 | 26,3                                 | 26,8 | 27,9 | 29,3 | 30,9 | 32,6 |
| TUS24           | 37,3                                | 38,3 | 40,2 | 42,4 | 44,8 | 47,2 | 37                                  | 37,8 | 39,6 | 41,8 | 44,1 | 46,4 | 36,6                                 | 37,4 | 39   | 41,1 | 43,4 | 45,7 | 36,3                                 | 37   | 38,5 | 40,5 | 42,7 | 44,9 | 36                                   | 36,6 | 38,1 | 40   | 42,1 | 44,2 |
| TUS28           | 47,8                                | 49   | 51,2 | 54   | 56,9 | 59,5 | 47,3                                | 48,4 | 50,5 | 53,2 | 56   | 58,7 | 46,9                                 | 47,8 | 49,8 | 52,4 | 55,2 | 57,9 | 46,5                                 | 47,3 | 49,2 | 51,7 | 54,4 | 57   | 46,1                                 | 46,9 | 48,7 | 51,1 | 53,6 | 56,2 |

Characteristic values (in kN) of TU and TUS joist ties for connections between timber header beam and supported joist.

|   |                 |
|---|-----------------|
| Simpson Strong-Tie – Concealed Beam Hangers | <b>ANNEXE 5</b> |
| CHARACTERISTIC VALUES                       | ETA-07/0125     |

| Skew $\alpha_N$ | 60                 | 80   | 100  | 120  | 140  | 160  | 60                   | 80   | 100  | 120  | 140  | 160  | 60                 | 80   | 100  | 120  | 140  | 160  | 60                 | 80   | 100  | 120  | 140  | 160  | 60                 | 80   | 100  | 120  | 140  | 160  |
|-----------------|--------------------|------|------|------|------|------|----------------------|------|------|------|------|------|--------------------|------|------|------|------|------|--------------------|------|------|------|------|------|--------------------|------|------|------|------|------|
| 0               | Slope $\beta_s$ 25 |      |      |      |      |      | Slope $\beta_s$ 30   |      |      |      |      |      | Slope $\beta_s$ 35 |      |      |      |      |      | Slope $\beta_s$ 40 |      |      |      |      |      | Slope $\beta_s$ 45 |      |      |      |      |      |
| TU12            | 8,5                | 9,4  | 10,5 | 11,0 | 11,0 | 11,0 | 8,5                  | 9,4  | 10,5 | 11,0 | 11,0 | 11,0 | 8,5                | 9,4  | 10,5 | 11,0 | 11,0 | 11,0 | 8,5                | 9,4  | 10,5 | 11,0 | 11,0 | 11,0 | 8,5                | 9,4  | 10,5 | 11,0 | 11,0 | 11,0 |
| TU16            | 18,1               | 18,5 | 19,2 | 20,3 | 21,4 | 22,7 | 18,0                 | 18,3 | 19,0 | 20,0 | 21,1 | 22,3 | 17,8               | 18,2 | 18,9 | 19,8 | 20,8 | 22,0 | 17,6               | 18,1 | 18,7 | 19,6 | 20,6 | 21,7 | 17,5               | 18,0 | 18,6 | 19,5 | 20,4 | 21,5 |
| TU20            | 27,4               | 27,9 | 29   | 30,5 | 32,3 | 34,1 | 27,1                 | 27,7 | 28,8 | 30,2 | 31,8 | 33,6 | 26,8               | 27,5 | 28,5 | 29,9 | 31,5 | 33,2 | 26,7               | 27,4 | 28,4 | 29,7 | 31,2 | 32,9 | 26,6               | 27,4 | 28,3 | 29,6 | 31,0 | 32,6 |
| TU24            | 37,2               | 38,1 | 39,5 | 41,5 | 43,8 | 46,3 | 36,8                 | 37,8 | 39,2 | 41,1 | 43,3 | 45,7 | 36,6               | 37,7 | 39,0 | 40,8 | 42,9 | 45,2 | 36,4               | 37,6 | 38,9 | 40,6 | 42,7 | 44,8 | 36,4               | 37,5 | 38,8 | 40,5 | 42,5 | 44,6 |
| TU28            | 47,3               | 48,6 | 50,5 | 52,9 | 55,8 | 58,7 | 47,0                 | 48,4 | 50,1 | 52,5 | 55,2 | 58,1 | 46,8               | 48,2 | 49,9 | 52,2 | 54,8 | 57,6 | 46,7               | 48,2 | 49,8 | 52,0 | 54,6 | 57,2 | 46,8               | 48,2 | 49,8 | 52,0 | 54,4 | 57,0 |
| 30              | Slope $\beta_s$ 25 |      |      |      |      |      | Slope $\beta_s$ 30,0 |      |      |      |      |      | Slope $\beta_s$ 35 |      |      |      |      |      | Slope $\beta_s$ 40 |      |      |      |      |      | Slope $\beta_s$ 45 |      |      |      |      |      |
| TUS16           | 15,2               | 15,5 | 16,2 | 17   | 18   | 19   | 15,1                 | 15,4 | 16,0 | 16,8 | 17,7 | 18,7 | 15,0               | 15,3 | 15,8 | 16,6 | 17,4 | 18,4 | 14,9               | 15,1 | 15,7 | 16,4 | 17,2 | 18,1 | 14,7               | 15,1 | 15,6 | 16,3 | 17,0 | 17,9 |
| TUS20           | 24,8               | 25,2 | 26,1 | 27,4 | 28,8 | 30,4 | 24,6                 | 25,0 | 25,9 | 27,1 | 28,4 | 29,9 | 24,3               | 24,8 | 25,7 | 26,8 | 28,1 | 29,5 | 24,1               | 24,7 | 25,5 | 26,6 | 27,8 | 29,2 | 24,0               | 24,6 | 25,4 | 26,4 | 27,6 | 28,9 |
| TUS24           | 34                 | 34,5 | 35,8 | 37,5 | 39,4 | 41,5 | 33,6                 | 34,3 | 35,5 | 37,1 | 38,9 | 40,9 | 33,3               | 34,1 | 35,2 | 36,8 | 38,5 | 40,4 | 33,1               | 33,9 | 35,0 | 36,5 | 38,2 | 40,0 | 33,0               | 33,9 | 34,9 | 36,3 | 38,0 | 39,8 |
| TUS28           | 43,5               | 44,3 | 46   | 48,1 | 50,5 | 53,1 | 43,0                 | 44,1 | 45,6 | 47,6 | 50,0 | 52,5 | 42,7               | 43,9 | 45,3 | 47,3 | 49,5 | 51,9 | 42,6               | 43,8 | 45,1 | 47,0 | 49,2 | 51,5 | 42,5               | 43,7 | 45,0 | 46,9 | 49,0 | 51,2 |
| 45              | Slope $\beta_s$ 25 |      |      |      |      |      | Slope $\beta_s$ 30,0 |      |      |      |      |      | Slope $\beta_s$ 35 |      |      |      |      |      | Slope $\beta_s$ 40 |      |      |      |      |      | Slope $\beta_s$ 45 |      |      |      |      |      |
| TUS16           | 15,4               | 15,7 | 16,3 | 17,2 | 18,1 | 19,1 | 15,2                 | 15,5 | 16,1 | 16,9 | 17,8 | 18,8 | 15,1               | 15,4 | 15,9 | 16,7 | 17,6 | 18,5 | 15,0               | 15,3 | 15,8 | 16,5 | 17,4 | 18,3 | 14,8               | 15,2 | 15,7 | 16,4 | 17,2 | 18,1 |
| TUS20           | 24,9               | 25,3 | 26,3 | 27,6 | 29   | 30,6 | 24,7                 | 25,1 | 26,0 | 27,3 | 28,7 | 30,1 | 24,5               | 25,0 | 25,8 | 27,0 | 28,3 | 29,8 | 24,3               | 24,8 | 25,7 | 26,8 | 28,1 | 29,4 | 24,1               | 24,8 | 25,5 | 26,6 | 27,8 | 29,2 |
| TUS24           | 34,2               | 34,7 | 36   | 37,8 | 39,7 | 41,8 | 33,8                 | 34,5 | 35,7 | 37,4 | 39,2 | 41,2 | 33,5               | 34,3 | 35,5 | 37,0 | 38,8 | 40,7 | 33,3               | 34,2 | 35,3 | 36,8 | 38,5 | 40,4 | 33,2               | 34,1 | 35,2 | 36,6 | 38,3 | 40,1 |
| TUS28           | 43,8               | 44,7 | 46,3 | 48,5 | 50,9 | 53,5 | 43,3                 | 44,4 | 45,9 | 48,0 | 50,3 | 52,8 | 43,0               | 44,2 | 45,7 | 47,6 | 49,9 | 52,3 | 42,9               | 44,1 | 45,5 | 47,4 | 49,6 | 51,9 | 42,8               | 44,0 | 45,4 | 47,2 | 49,4 | 51,6 |
| 60              | Slope $\beta_s$ 25 |      |      |      |      |      | Slope $\beta_s$ 30,0 |      |      |      |      |      | Slope $\beta_s$ 35 |      |      |      |      |      | Slope $\beta_s$ 40 |      |      |      |      |      | Slope $\beta_s$ 45 |      |      |      |      |      |
| TUS16           | 15,5               | 15,8 | 16,5 | 17,4 | 18,4 | 19,4 | 15,4                 | 15,7 | 16,3 | 17,1 | 18,1 | 19,1 | 15,3               | 15,6 | 16,1 | 16,9 | 17,8 | 18,8 | 15,1               | 15,4 | 16,0 | 16,7 | 17,6 | 18,5 | 15,0               | 15,3 | 15,9 | 16,6 | 17,4 | 18,3 |
| TUS20           | 25,2               | 25,6 | 26,6 | 27,9 | 29,4 | 31   | 25,0                 | 25,4 | 26,4 | 27,6 | 29,0 | 30,5 | 24,7               | 25,3 | 26,1 | 27,3 | 28,7 | 30,1 | 24,5               | 25,1 | 26,0 | 27,1 | 28,4 | 29,8 | 24,4               | 25,0 | 25,8 | 26,9 | 28,2 | 29,6 |
| TUS24           | 34,5               | 35,1 | 36,5 | 38,2 | 40,2 | 42,3 | 34,1                 | 34,9 | 36,1 | 37,8 | 39,7 | 41,7 | 33,8               | 34,7 | 35,9 | 37,5 | 39,3 | 41,2 | 33,6               | 34,6 | 35,7 | 37,2 | 39,0 | 40,9 | 33,5               | 34,5 | 35,6 | 37,1 | 38,8 | 40,6 |
| TUS28           | 44,2               | 45,2 | 46,8 | 49   | 51,5 | 54   | 43,8                 | 44,9 | 46,5 | 48,6 | 50,9 | 53,4 | 43,5               | 44,7 | 46,2 | 48,2 | 50,5 | 52,9 | 43,3               | 44,6 | 46,0 | 48,0 | 50,2 | 52,5 | 43,3               | 44,5 | 45,9 | 47,8 | 50,0 | 52,2 |
| 75              | Slope $\beta_s$ 25 |      |      |      |      |      | Slope $\beta_s$ 30,0 |      |      |      |      |      | Slope $\beta_s$ 35 |      |      |      |      |      | Slope $\beta_s$ 40 |      |      |      |      |      | Slope $\beta_s$ 45 |      |      |      |      |      |
| TUS16           | 15,9               | 16,2 | 16,8 | 17,7 | 18,7 | 19,8 | 15,7                 | 16,0 | 16,6 | 17,5 | 18,4 | 19,5 | 15,6               | 15,9 | 16,5 | 17,3 | 18,2 | 19,2 | 15,4               | 15,8 | 16,3 | 17,1 | 18,0 | 18,9 | 15,3               | 15,7 | 16,2 | 16,9 | 17,8 | 18,7 |
| TUS20           | 25,7               | 26,1 | 27,1 | 28,4 | 30   | 31,6 | 25,4                 | 25,9 | 26,8 | 28,1 | 29,6 | 31,1 | 25,2               | 25,7 | 26,6 | 27,8 | 29,2 | 30,7 | 25,0               | 25,6 | 26,5 | 27,6 | 29,0 | 30,4 | 24,8               | 25,5 | 26,3 | 27,5 | 28,8 | 30,1 |
| TUS24           | 35,1               | 35,8 | 37,1 | 38,9 | 40,9 | 43   | 34,7                 | 35,5 | 36,8 | 38,5 | 40,4 | 42,4 | 34,4               | 35,3 | 36,5 | 38,2 | 40,0 | 42,0 | 34,3               | 35,2 | 36,4 | 37,9 | 39,7 | 41,6 | 34,2               | 35,1 | 36,3 | 37,8 | 39,5 | 41,3 |
| TUS28           | 44,9               | 45,9 | 47,6 | 49,8 | 52,3 | 54,8 | 44,5                 | 45,7 | 47,2 | 49,4 | 51,7 | 54,2 | 44,2               | 45,5 | 47,0 | 49,0 | 51,3 | 53,7 | 44,1               | 45,4 | 46,8 | 48,8 | 51,0 | 53,3 | 44,1               | 45,3 | 46,8 | 48,7 | 50,8 | 53,1 |
| 85              | Slope $\beta_s$ 25 |      |      |      |      |      | Slope $\beta_s$ 30,0 |      |      |      |      |      | Slope $\beta_s$ 35 |      |      |      |      |      | Slope $\beta_s$ 40 |      |      |      |      |      | Slope $\beta_s$ 45 |      |      |      |      |      |
| TUS16           | 16,2               | 16,5 | 17,2 | 18,1 | 19,1 | 20,1 | 16,0                 | 16,3 | 17,0 | 17,8 | 18,8 | 19,8 | 15,9               | 16,2 | 16,8 | 17,6 | 18,5 | 19,5 | 15,7               | 16,1 | 16,6 | 17,4 | 18,3 | 19,3 | 15,6               | 16,0 | 16,5 | 17,3 | 18,1 | 19,1 |
| TUS20           | 26,1               | 26,6 | 27,6 | 28,9 | 30,5 | 32,1 | 25,9                 | 26,4 | 27,3 | 28,6 | 30,1 | 31,6 | 25,6               | 26,2 | 27,1 | 28,3 | 29,7 | 31,2 | 25,4               | 26,1 | 26,9 | 28,1 | 29,5 | 30,9 | 25,3               | 26,0 | 26,8 | 28,0 | 29,3 | 30,7 |
| TUS24           | 35,7               | 36,3 | 37,7 | 39,5 | 41,5 | 43,6 | 35,3                 | 36,1 | 37,4 | 39,1 | 41,0 | 43,1 | 35,0               | 35,9 | 37,2 | 38,8 | 40,7 | 42,6 | 34,8               | 35,8 | 37,0 | 38,6 | 40,4 | 42,3 | 34,8               | 35,8 | 36,9 | 38,4 | 40,2 | 42,0 |
| TUS28           | 45,5               | 46,6 | 48,3 | 50,5 | 53   | 55,5 | 45,2                 | 46,4 | 48,0 | 50,1 | 52,5 | 54,9 | 44,9               | 46,2 | 47,7 | 49,8 | 52,1 | 54,4 | 44,8               | 46,1 | 47,6 | 49,6 | 51,8 | 54,1 | 44,8               | 46,1 | 47,5 | 49,4 | 51,6 | 53,8 |

Characteristic values (in kN) of TU and TUS joist ties for connections between timber header beam and supported joist.

|   |                 |
|---|-----------------|
| Simpson Strong-Tie – Concealed Beam Hangers | <b>ANNEXE 5</b> |
| CHARACTERISTIC VALUES                       | ETA-07/0125     |

| Skew $\alpha_N$ | 60              | 80   | 100  | 120  | 140  | 160  | 60              | 80   | 100  | 120  | 140  | 160  | 60   | 80   | 100             | 120  | 140  | 160  | 60   | 80   | 100  | 120  | 140             | 160  | 60   | 80   | 100  | 120  | 140  | 160  |                 |      |      |      |      |      |  |  |
|-----------------|-----------------|------|------|------|------|------|-----------------|------|------|------|------|------|------|------|-----------------|------|------|------|------|------|------|------|-----------------|------|------|------|------|------|------|------|-----------------|------|------|------|------|------|--|--|
| <b>0</b>        | Slope $\beta_s$ |      | 0    |      |      |      | Slope $\beta_s$ |      |      |      | 5    |      |      |      | Slope $\beta_s$ |      |      |      | 10   |      |      |      | Slope $\beta_s$ |      |      |      | 15   |      |      |      | Slope $\beta_s$ |      |      |      | 20   |      |  |  |
| TU12            | 8,5             | 9,4  | 10,5 | 11,0 | 11,0 | 11,0 | 8,5             | 9,4  | 10,5 | 11,0 | 11,0 | 11,0 | 8,5  | 9,4  | 10,5            | 11,0 | 11,0 | 11,0 | 8,5  | 9,4  | 10,5 | 11,0 | 11,0            | 11,0 | 8,5  | 9,4  | 10,5 | 11,0 | 11,0 | 11,0 | 8,5             | 9,4  | 10,5 | 11,0 | 11,0 | 11,0 |  |  |
| TU16            | 17,3            | 17,9 | 18,9 | 20,2 | 21,6 | 23   | 17,1            | 17,7 | 18,6 | 19,8 | 21,2 | 22,6 | 16,9 | 17,4 | 18,3            | 19,5 | 20,8 | 22,1 | 16,7 | 17,2 | 18   | 19,1 | 20,4            | 21,7 | 16,6 | 17   | 17,8 | 18,8 | 20   | 21,3 | 16,6            | 17   | 17,8 | 18,8 | 20   | 21,3 |  |  |
| TU20            | 24,2            | 25   | 26,4 | 28   | 29,7 | 31,4 | 24              | 24,7 | 26   | 27,6 | 29,3 | 30,9 | 23,7 | 24,4 | 25,6            | 27,1 | 28,8 | 30,4 | 23,5 | 24,1 | 25,2 | 26,7 | 28,3            | 29,9 | 23,2 | 23,8 | 24,9 | 26,3 | 27,8 | 29,4 | 23,2            | 23,8 | 24,9 | 26,3 | 27,8 | 29,4 |  |  |
| TU24            | 33,6            | 34,7 | 36,4 | 38,5 | 40,6 | 42,2 | 33,3            | 34,2 | 35,9 | 37,9 | 40   | 41,8 | 32,9 | 33,8 | 35,4            | 37,3 | 39,4 | 41,3 | 32,6 | 33,3 | 34,9 | 36,8 | 38,8            | 40,7 | 32,3 | 33   | 34,4 | 36,2 | 38,2 | 40,1 | 32,3            | 33   | 34,4 | 36,2 | 38,2 | 40,1 |  |  |
| TU28            | 39,7            | 40,6 | 42   | 42,5 | 42,5 | 42,5 | 39,4            | 40,2 | 41,7 | 42,5 | 42,5 | 42,5 | 39   | 39,8 | 41,2            | 42,5 | 42,5 | 42,5 | 38,7 | 39,4 | 40,8 | 42,2 | 42,5            | 42,5 | 38,4 | 39   | 40,4 | 41,9 | 42,5 | 42,5 | 38,4            | 39   | 40,4 | 41,9 | 42,5 | 42,5 |  |  |
| <b>30</b>       | Slope $\beta_s$ |      | 0    |      |      |      | Slope $\beta_s$ |      |      |      | 5    |      |      |      | Slope $\beta_s$ |      |      |      | 10   |      |      |      | Slope $\beta_s$ |      |      |      | 15   |      |      |      | Slope $\beta_s$ |      |      |      | 20   |      |  |  |
| TUS16           | 14,4            | 14,9 | 15,7 | 16,7 | 17,8 | 18,9 | 14,3            | 14,7 | 15,5 | 16,5 | 17,5 | 18,6 | 14,1 | 14,5 | 15,3            | 16,2 | 17,2 | 18,3 | 14   | 14,4 | 15,1 | 15,9 | 16,9            | 18   | 13,8 | 14,2 | 14,8 | 15,7 | 16,6 | 17,6 | 13,8            | 14,2 | 14,8 | 15,7 | 16,6 | 17,6 |  |  |
| TUS20           | 22              | 22,7 | 23,8 | 25,2 | 26,6 | 27,8 | 21,8            | 22,4 | 23,5 | 24,8 | 26,2 | 27,7 | 21,6 | 22,2 | 23,2            | 24,5 | 25,8 | 27,2 | 21,4 | 21,9 | 22,9 | 24,1 | 25,4            | 26,8 | 21,2 | 21,7 | 22,6 | 23,7 | 25   | 26,3 | 21,2            | 21,7 | 22,6 | 23,7 | 25   | 26,3 |  |  |
| TUS24           | 30,5            | 31,3 | 32,9 | 34,7 | 36,6 | 36,7 | 30,2            | 31   | 32,4 | 34,2 | 36,1 | 36,7 | 29,9 | 30,6 | 32              | 33,7 | 35,6 | 36,7 | 29,6 | 30,2 | 31,6 | 33,2 | 35              | 36,7 | 29,3 | 29,9 | 31,1 | 32,7 | 34,5 | 36,2 | 29,3            | 29,9 | 31,1 | 32,7 | 34,5 | 36,2 |  |  |
| TUS28           | 36,5            | 37,4 | 38,5 | 38,5 | 38,5 | 38,5 | 36,2            | 37   | 38,5 | 38,5 | 38,5 | 38,5 | 35,9 | 36,6 | 38,1            | 38,5 | 38,5 | 38,5 | 35,6 | 36,3 | 37,6 | 38,5 | 38,5            | 38,5 | 35,3 | 35,9 | 37,2 | 38,5 | 38,5 | 38,5 | 35,3            | 35,9 | 37,2 | 38,5 | 38,5 | 38,5 |  |  |
| <b>45</b>       | Slope $\beta_s$ |      | 0    |      |      |      | Slope $\beta_s$ |      |      |      | 5    |      |      |      | Slope $\beta_s$ |      |      |      | 10   |      |      |      | Slope $\beta_s$ |      |      |      | 15   |      |      |      | Slope $\beta_s$ |      |      |      | 20   |      |  |  |
| TUS16           | 14,5            | 15   | 15,8 | 16,8 | 17,9 | 19   | 14,4            | 14,8 | 15,6 | 16,6 | 17,6 | 18,7 | 14,2 | 14,6 | 15,4            | 16,3 | 17,4 | 18,4 | 14,1 | 14,5 | 15,2 | 16,1 | 17,1            | 18,1 | 13,9 | 14,3 | 14,9 | 15,8 | 16,7 | 17,7 | 13,9            | 14,3 | 14,9 | 15,8 | 16,7 | 17,7 |  |  |
| TUS20           | 22,1            | 22,8 | 23,9 | 25,3 | 26,7 | 27,8 | 21,9            | 22,5 | 23,6 | 24,9 | 26,3 | 27,7 | 21,7 | 22,3 | 23,3            | 24,6 | 25,9 | 27,3 | 21,5 | 22   | 23   | 24,2 | 25,5            | 26,9 | 21,3 | 21,7 | 22,7 | 23,8 | 25,1 | 26,4 | 21,3            | 21,7 | 22,7 | 23,8 | 25,1 | 26,4 |  |  |
| TUS24           | 30,6            | 31,5 | 33,1 | 34,8 | 36,6 | 36,7 | 30,3            | 31,2 | 32,6 | 34,4 | 36,2 | 36,7 | 30,1 | 30,8 | 32,2            | 33,9 | 35,7 | 36,7 | 29,8 | 30,4 | 31,7 | 33,4 | 35,1            | 36,7 | 29,5 | 30,1 | 31,3 | 32,9 | 34,6 | 36,3 | 29,5            | 30,1 | 31,3 | 32,9 | 34,6 | 36,3 |  |  |
| TUS28           | 36,6            | 37,5 | 38,5 | 38,5 | 38,5 | 38,5 | 36,3            | 37,1 | 38,5 | 38,5 | 38,5 | 38,5 | 36   | 36,8 | 38,1            | 38,5 | 38,5 | 38,5 | 35,7 | 36,4 | 37,7 | 38,5 | 38,5            | 38,5 | 35,4 | 36   | 37,3 | 38,5 | 38,5 | 38,5 | 35,4            | 36   | 37,3 | 38,5 | 38,5 | 38,5 |  |  |
| <b>60</b>       | Slope $\beta_s$ |      | 0    |      |      |      | Slope $\beta_s$ |      |      |      | 5    |      |      |      | Slope $\beta_s$ |      |      |      | 10   |      |      |      | Slope $\beta_s$ |      |      |      | 15   |      |      |      | Slope $\beta_s$ |      |      |      | 20   |      |  |  |
| TUS16           | 14,7            | 15,2 | 16   | 17   | 18,1 | 19,2 | 14,5            | 15   | 15,8 | 16,8 | 17,8 | 18,9 | 14,4 | 14,8 | 15,6            | 16,5 | 17,5 | 18,6 | 14,2 | 14,6 | 15,3 | 16,2 | 17,2            | 18,3 | 14,1 | 14,4 | 15,1 | 16   | 16,9 | 17,9 | 14,1            | 14,4 | 15,1 | 16   | 16,9 | 17,9 |  |  |
| TUS20           | 22,3            | 23   | 24,1 | 25,5 | 26,8 | 27,8 | 22,1            | 22,7 | 23,8 | 25,1 | 26,5 | 27,7 | 21,9 | 22,5 | 23,5            | 24,8 | 26,1 | 27,3 | 21,7 | 22,2 | 23,2 | 24,4 | 25,7            | 27   | 21,5 | 21,9 | 22,9 | 24   | 25,3 | 26,6 | 21,5            | 21,9 | 22,9 | 24   | 25,3 | 26,6 |  |  |
| TUS24           | 30,9            | 31,8 | 33,3 | 35,1 | 36,6 | 36,7 | 30,6            | 31,5 | 32,9 | 34,6 | 36,2 | 36,7 | 30,3 | 31,1 | 32,5            | 34,1 | 35,8 | 36,7 | 30   | 30,7 | 32   | 33,6 | 35,3            | 36,7 | 29,8 | 30,4 | 31,6 | 33,2 | 34,8 | 36,3 | 29,8            | 30,4 | 31,6 | 33,2 | 34,8 | 36,3 |  |  |
| TUS28           | 36,8            | 37,6 | 38,5 | 38,5 | 38,5 | 38,5 | 36,5            | 37,3 | 38,5 | 38,5 | 38,5 | 38,5 | 36,2 | 37   | 38,2            | 38,5 | 38,5 | 38,5 | 35,9 | 36,6 | 37,8 | 38,5 | 38,5            | 38,5 | 35,7 | 36,3 | 37,5 | 38,5 | 38,5 | 38,5 | 35,7            | 36,3 | 37,5 | 38,5 | 38,5 | 38,5 |  |  |
| <b>75</b>       | Slope $\beta_s$ |      | 0    |      |      |      | Slope $\beta_s$ |      |      |      | 5    |      |      |      | Slope $\beta_s$ |      |      |      | 10   |      |      |      | Slope $\beta_s$ |      |      |      | 15   |      |      |      | Slope $\beta_s$ |      |      |      | 20   |      |  |  |
| TUS16           | 14,9            | 15,4 | 16,3 | 17,3 | 18,4 | 19,4 | 14,8            | 15,3 | 16,1 | 17,1 | 18,1 | 19,2 | 14,6 | 15,1 | 15,8            | 16,8 | 17,8 | 18,9 | 14,5 | 14,9 | 15,6 | 16,5 | 17,5            | 18,5 | 14,3 | 14,7 | 15,4 | 16,2 | 17,2 | 18,2 | 14,3            | 14,7 | 15,4 | 16,2 | 17,2 | 18,2 |  |  |
| TUS20           | 22,6            | 23,3 | 24,4 | 25,8 | 27   | 27,8 | 22,4            | 23   | 24,1 | 25,4 | 26,7 | 27,7 | 22,2 | 22,7 | 23,8            | 25,1 | 26,4 | 27,5 | 21,9 | 22,5 | 23,5 | 24,7 | 26              | 27,1 | 21,7 | 22,2 | 23,2 | 24,4 | 25,6 | 26,8 | 21,7            | 22,2 | 23,2 | 24,4 | 25,6 | 26,8 |  |  |
| TUS24           | 31,4            | 32,3 | 33,7 | 35,4 | 36,6 | 36,7 | 31,1            | 31,9 | 33,3 | 34,9 | 36,4 | 36,7 | 30,8 | 31,5 | 32,9            | 34,5 | 36   | 36,7 | 30,5 | 31,1 | 32,5 | 34   | 35,6            | 36,7 | 30,2 | 30,8 | 32,1 | 33,6 | 35,1 | 36,4 | 30,2            | 30,8 | 32,1 | 33,6 | 35,1 | 36,4 |  |  |
| TUS28           | 37,1            | 37,8 | 38,5 | 38,5 | 38,5 | 38,5 | 36,9            | 37,6 | 38,5 | 38,5 | 38,5 | 38,5 | 36,6 | 37,2 | 38,3            | 38,5 | 38,5 | 38,5 | 36,3 | 36,9 | 38   | 38,5 | 38,5            | 38,5 | 36   | 36,6 | 37,7 | 38,5 | 38,5 | 38,5 | 36              | 36,6 | 37,7 | 38,5 | 38,5 | 38,5 |  |  |
| <b>85</b>       | Slope $\beta_s$ |      | 0    |      |      |      | Slope $\beta_s$ |      |      |      | 5    |      |      |      | Slope $\beta_s$ |      |      |      | 10   |      |      |      | Slope $\beta_s$ |      |      |      | 15   |      |      |      | Slope $\beta_s$ |      |      |      | 20   |      |  |  |
| TUS16           | 15,2            | 15,7 | 16,5 | 17,6 | 18,6 | 19,6 | 15              | 15,5 | 16,3 | 17,3 | 18,4 | 19,4 | 14,9 | 15,3 | 16,1            | 17,1 | 18,1 | 19,1 | 14,7 | 15,1 | 15,9 | 16,8 | 17,8            | 18,8 | 14,6 | 14,9 | 15,6 | 16,5 | 17,5 | 18,5 | 14,6            | 14,9 | 15,6 | 16,5 | 17,5 | 18,5 |  |  |
| TUS20           | 22,9            | 23,6 | 24,7 | 26   | 27,2 | 27,8 | 22,7            | 23,3 | 24,4 | 25,7 | 26,9 | 27,8 | 22,5 | 23   | 24,1            | 25,4 | 26,6 | 27,6 | 22,2 | 22,8 | 23,8 | 25   | 26,2            | 27,3 | 22   | 22,5 | 23,4 | 24,6 | 25,9 | 27   | 22              | 22,5 | 23,4 | 24,6 | 25,9 | 27   |  |  |
| TUS24           | 31,8            | 32,7 | 34,1 | 35,6 | 36,7 | 36,7 | 31,5            | 32,3 | 33,7 | 35,3 | 36,5 | 36,7 | 31,2 | 31,9 | 33,3            | 34,8 | 36,2 | 36,7 | 30,9 | 31,5 | 32,8 | 34,4 | 35,8            | 36,7 | 30,6 | 31,2 | 32,4 | 33,9 | 35,4 | 36,5 | 30,6            | 31,2 | 32,4 | 33,9 | 35,4 | 36,5 |  |  |
| TUS28           | 37,4            | 38   | 38,5 | 38,5 | 38,5 | 38,5 | 37,1            | 37,8 | 38,5 | 38,5 | 38,5 | 38,5 | 36,9 | 37,5 | 38,4            | 38,5 | 38,5 | 38,5 | 36,6 | 37,2 | 38,1 | 38,5 | 38,5            | 38,5 | 36,3 | 36,9 | 37,9 | 38,5 | 38,5 | 38,5 | 36,3            | 36,9 | 37,9 | 38,5 | 38,5 | 38,5 |  |  |

Characteristics values (in kN) of TU and TUS joist ties for connections between timber column and supported joist.

|   |                 |
|---|-----------------|
| Simpson Strong-Tie – Concealed Beam Hangers | <b>ANNEXE 5</b> |
| CHARACTERISTIC VALUES                       | ETA-07/0125     |

| Skew $\alpha_N$ | 60                 | 80   | 100  | 120  | 140  | 160  | 60                   | 80   | 100  | 120  | 140  | 160  | 60                 | 80   | 100  | 120  | 140  | 160  | 60                 | 80   | 100  | 120  | 140  | 160  | 60                 | 80   | 100  | 120  | 140  | 160  |
|-----------------|--------------------|------|------|------|------|------|----------------------|------|------|------|------|------|--------------------|------|------|------|------|------|--------------------|------|------|------|------|------|--------------------|------|------|------|------|------|
| 0               | Slope $\beta_s$ 25 |      |      |      |      |      | Slope $\beta_s$ 30   |      |      |      |      |      | Slope $\beta_s$ 35 |      |      |      |      |      | Slope $\beta_s$ 40 |      |      |      |      |      | Slope $\beta_s$ 45 |      |      |      |      |      |
| TU12            | 8,5                | 9,4  | 10,5 | 11,0 | 11,0 | 11,0 | 8,5                  | 9,4  | 10,5 | 11,0 | 11,0 | 11,0 | 8,5                | 9,4  | 10,5 | 11,0 | 11,0 | 11,0 | 8,5                | 9,4  | 10,5 | 11,0 | 11,0 | 11,0 | 8,5                | 9,4  | 10,5 | 11,0 | 11,0 | 11,0 |
| TU16            | 16,4               | 16,8 | 17,5 | 18,5 | 19,6 | 20,8 | 16,3                 | 16,6 | 17,3 | 18,2 | 19,3 | 20,5 | 16,1               | 16,4 | 17,1 | 18,0 | 19,0 | 20,1 | 15,9               | 16,3 | 16,9 | 17,8 | 18,8 | 19,9 | 15,8               | 16,2 | 16,8 | 17,6 | 18,6 | 19,6 |
| TU20            | 23                 | 23,5 | 24,5 | 25,9 | 27,3 | 28,9 | 22,8                 | 23,3 | 24,2 | 25,5 | 26,9 | 28,4 | 22,6               | 23,1 | 24,0 | 25,2 | 26,6 | 28,0 | 22,3               | 22,9 | 23,8 | 24,9 | 26,3 | 27,7 | 22,1               | 22,8 | 23,6 | 24,7 | 26,0 | 27,4 |
| TU24            | 32                 | 32,6 | 34   | 35,7 | 37,6 | 39,5 | 31,7                 | 32,3 | 33,6 | 35,3 | 37,1 | 39,0 | 31,3               | 32,1 | 33,3 | 34,9 | 36,7 | 38,5 | 31,1               | 31,9 | 33,1 | 34,7 | 36,4 | 38,2 | 30,9               | 31,8 | 33,0 | 34,5 | 36,1 | 37,9 |
| TU28            | 38,1               | 38,7 | 40   | 41,5 | 42,5 | 42,5 | 37,8                 | 38,4 | 39,7 | 41,2 | 42,4 | 42,5 | 37,3               | 38,2 | 39,4 | 40,9 | 42,2 | 42,5 | 37,1               | 38,0 | 39,2 | 40,6 | 41,9 | 42,5 | 36,9               | 37,8 | 39,0 | 40,4 | 41,8 | 42,5 |
| 30              | Slope $\beta_s$ 25 |      |      |      |      |      | Slope $\beta_s$ 30,0 |      |      |      |      |      | Slope $\beta_s$ 35 |      |      |      |      |      | Slope $\beta_s$ 40 |      |      |      |      |      | Slope $\beta_s$ 45 |      |      |      |      |      |
| TUS16           | 13,7               | 14   | 14,6 | 15,4 | 16,3 | 17,3 | 13,6                 | 13,9 | 14,4 | 15,2 | 16,1 | 17,0 | 13,5               | 13,7 | 14,3 | 15,0 | 15,8 | 16,7 | 13,4               | 13,6 | 14,1 | 14,8 | 15,6 | 16,5 | 13,2               | 13,5 | 14,0 | 14,7 | 15,4 | 16,2 |
| TUS20           | 21                 | 21,4 | 22,3 | 23,4 | 24,6 | 25,9 | 20,9                 | 21,2 | 22,0 | 23,1 | 24,3 | 25,5 | 20,7               | 21,0 | 21,8 | 22,8 | 23,9 | 25,1 | 20,5               | 20,9 | 21,6 | 22,6 | 23,7 | 24,8 | 20,3               | 20,8 | 21,5 | 22,4 | 23,4 | 24,6 |
| TUS24           | 29,1               | 29,6 | 30,8 | 32,3 | 33,9 | 35,7 | 28,9                 | 29,3 | 30,4 | 31,9 | 33,5 | 35,1 | 28,6               | 29,1 | 30,2 | 31,5 | 33,1 | 34,7 | 28,3               | 28,9 | 29,9 | 31,2 | 32,7 | 34,3 | 28,1               | 28,8 | 29,8 | 31,0 | 32,5 | 34,0 |
| TUS28           | 35                 | 35,6 | 36,8 | 38,3 | 38,5 | 38,5 | 34,8                 | 35,3 | 36,5 | 37,9 | 38,5 | 38,5 | 34,4               | 35,0 | 36,2 | 37,6 | 38,5 | 38,5 | 34,1               | 34,9 | 35,9 | 37,3 | 38,5 | 38,5 | 33,9               | 34,7 | 35,7 | 37,1 | 38,5 | 38,5 |
| 45              | Slope $\beta_s$ 25 |      |      |      |      |      | Slope $\beta_s$ 30,0 |      |      |      |      |      | Slope $\beta_s$ 35 |      |      |      |      |      | Slope $\beta_s$ 40 |      |      |      |      |      | Slope $\beta_s$ 45 |      |      |      |      |      |
| TUS16           | 13,8               | 14,1 | 14,7 | 15,5 | 16,5 | 17,4 | 13,7                 | 13,9 | 14,5 | 15,3 | 16,2 | 17,1 | 13,6               | 13,8 | 14,4 | 15,1 | 15,9 | 16,8 | 13,4               | 13,7 | 14,2 | 14,9 | 15,7 | 16,6 | 13,3               | 13,6 | 14,1 | 14,8 | 15,5 | 16,4 |
| TUS20           | 21,1               | 21,5 | 22,4 | 23,5 | 24,7 | 26   | 20,9                 | 21,3 | 22,1 | 23,2 | 24,4 | 25,6 | 20,8               | 21,1 | 21,9 | 22,9 | 24,1 | 25,3 | 20,5               | 21,0 | 21,7 | 22,7 | 23,8 | 24,9 | 20,4               | 20,9 | 21,6 | 22,5 | 23,6 | 24,7 |
| TUS24           | 29,3               | 29,8 | 30,9 | 32,5 | 34,1 | 35,7 | 29,0                 | 29,5 | 30,6 | 32,1 | 33,6 | 35,3 | 28,7               | 29,3 | 30,3 | 31,7 | 33,2 | 34,8 | 28,4               | 29,1 | 30,1 | 31,4 | 32,9 | 34,4 | 28,2               | 29,0 | 29,9 | 31,2 | 32,7 | 34,1 |
| TUS28           | 35,2               | 35,7 | 36,9 | 38,4 | 38,5 | 38,5 | 34,9                 | 35,4 | 36,6 | 38,0 | 38,5 | 38,5 | 34,6               | 35,2 | 36,3 | 37,7 | 38,5 | 38,5 | 34,3               | 35,0 | 36,1 | 37,4 | 38,5 | 38,5 | 34,1               | 34,9 | 35,9 | 37,2 | 38,5 | 38,5 |
| 60              | Slope $\beta_s$ 25 |      |      |      |      |      | Slope $\beta_s$ 30,0 |      |      |      |      |      | Slope $\beta_s$ 35 |      |      |      |      |      | Slope $\beta_s$ 40 |      |      |      |      |      | Slope $\beta_s$ 45 |      |      |      |      |      |
| TUS16           | 13,9               | 14,2 | 14,9 | 15,7 | 16,6 | 17,6 | 13,8                 | 14,1 | 14,7 | 15,5 | 16,4 | 17,3 | 13,7               | 13,9 | 14,5 | 15,3 | 16,1 | 17,0 | 13,6               | 13,8 | 14,4 | 15,1 | 15,9 | 16,8 | 13,4               | 13,7 | 14,2 | 14,9 | 15,7 | 16,5 |
| TUS20           | 21,3               | 21,7 | 22,6 | 23,7 | 24,9 | 26,2 | 21,1                 | 21,5 | 22,3 | 23,4 | 24,6 | 25,8 | 20,9               | 21,3 | 22,1 | 23,1 | 24,3 | 25,5 | 20,7               | 21,1 | 21,9 | 22,9 | 24,0 | 25,2 | 20,5               | 21,0 | 21,7 | 22,7 | 23,8 | 24,9 |
| TUS24           | 29,5               | 30,1 | 31,2 | 32,7 | 34,3 | 35,9 | 29,3                 | 29,8 | 30,9 | 32,3 | 33,9 | 35,4 | 29,0               | 29,6 | 30,6 | 32,0 | 33,5 | 35,0 | 28,7               | 29,4 | 30,4 | 31,7 | 33,2 | 34,7 | 28,5               | 29,3 | 30,2 | 31,5 | 33,0 | 34,4 |
| TUS28           | 35,4               | 36   | 37,1 | 38,4 | 38,5 | 38,5 | 35,2                 | 35,7 | 36,8 | 38,1 | 38,5 | 38,5 | 34,8               | 35,5 | 36,5 | 37,8 | 38,5 | 38,5 | 34,5               | 35,3 | 36,3 | 37,6 | 38,5 | 38,5 | 34,3               | 35,1 | 36,1 | 37,4 | 38,5 | 38,5 |
| 75              | Slope $\beta_s$ 25 |      |      |      |      |      | Slope $\beta_s$ 30,0 |      |      |      |      |      | Slope $\beta_s$ 35 |      |      |      |      |      | Slope $\beta_s$ 40 |      |      |      |      |      | Slope $\beta_s$ 45 |      |      |      |      |      |
| TUS16           | 14,2               | 14,5 | 15,2 | 16   | 16,9 | 17,9 | 14,1                 | 14,3 | 14,9 | 15,7 | 16,6 | 17,6 | 13,9               | 14,2 | 14,8 | 15,5 | 16,4 | 17,3 | 13,8               | 14,1 | 14,6 | 15,3 | 16,2 | 17,0 | 13,6               | 14,0 | 14,5 | 15,2 | 16,0 | 16,8 |
| TUS20           | 21,5               | 22   | 22,9 | 24   | 25,2 | 26,4 | 21,4                 | 21,7 | 22,6 | 23,7 | 24,9 | 26,1 | 21,2               | 21,6 | 22,4 | 23,4 | 24,6 | 25,7 | 21,0               | 21,4 | 22,2 | 23,2 | 24,3 | 25,4 | 20,8               | 21,3 | 22,0 | 23,0 | 24,1 | 25,2 |
| TUS24           | 30                 | 30,5 | 31,7 | 33,2 | 34,7 | 36,1 | 29,8                 | 30,2 | 31,4 | 32,8 | 34,3 | 35,7 | 29,4               | 30,0 | 31,1 | 32,5 | 33,9 | 35,3 | 29,1               | 29,8 | 30,9 | 32,2 | 33,6 | 35,0 | 28,9               | 29,7 | 30,7 | 32,0 | 33,4 | 34,8 |
| TUS28           | 35,8               | 36,3 | 37,4 | 38,4 | 38,5 | 38,5 | 35,6                 | 36,0 | 37,1 | 38,2 | 38,5 | 38,5 | 35,2               | 35,8 | 36,8 | 38,0 | 38,5 | 38,5 | 34,9               | 35,6 | 36,6 | 37,8 | 38,5 | 38,5 | 34,7               | 35,5 | 36,5 | 37,6 | 38,5 | 38,5 |
| 85              | Slope $\beta_s$ 25 |      |      |      |      |      | Slope $\beta_s$ 30,0 |      |      |      |      |      | Slope $\beta_s$ 35 |      |      |      |      |      | Slope $\beta_s$ 40 |      |      |      |      |      | Slope $\beta_s$ 45 |      |      |      |      |      |
| TUS16           | 14,4               | 14,7 | 15,4 | 16,2 | 17,2 | 18,1 | 14,3                 | 14,6 | 15,2 | 16,0 | 16,9 | 17,8 | 14,2               | 14,4 | 15,0 | 15,8 | 16,6 | 17,6 | 14,0               | 14,3 | 14,9 | 15,6 | 16,4 | 17,3 | 13,9               | 14,2 | 14,7 | 15,4 | 16,2 | 17,1 |
| TUS20           | 21,8               | 22,2 | 23,2 | 24,3 | 25,5 | 26,7 | 21,7                 | 22,0 | 22,9 | 24,0 | 25,2 | 26,3 | 21,5               | 21,8 | 22,7 | 23,7 | 24,9 | 26,0 | 21,2               | 21,7 | 22,5 | 23,5 | 24,6 | 25,7 | 21,0               | 21,6 | 22,3 | 23,3 | 24,4 | 25,5 |
| TUS24           | 30,4               | 30,9 | 32,1 | 33,5 | 35   | 36,3 | 30,2                 | 30,6 | 31,8 | 33,2 | 34,6 | 35,9 | 29,8               | 30,4 | 31,5 | 32,8 | 34,3 | 35,6 | 29,5               | 30,3 | 31,3 | 32,6 | 34,0 | 35,3 | 29,3               | 30,1 | 31,1 | 32,4 | 33,8 | 35,1 |
| TUS28           | 36,1               | 36,6 | 37,6 | 38,4 | 38,5 | 38,5 | 35,9                 | 36,4 | 37,4 | 38,3 | 38,5 | 38,5 | 35,5               | 36,2 | 37,1 | 38,1 | 38,5 | 38,5 | 35,3               | 36,0 | 36,9 | 38,0 | 38,5 | 38,5 | 35,1               | 35,9 | 36,8 | 37,8 | 38,5 | 38,5 |

Characteristics values (in kN) of TU and TUS joist ties for connections between timber column and supported joist.

|   |                 |
|---|-----------------|
| Simpson Strong-Tie – Concealed Beam Hangers | <b>ANNEXE 5</b> |
| CHARACTERISTIC VALUES                       | ETA-07/0125     |

| Skew $\alpha_N$ | 60                | 80   | 100  | 120  | 140  | 160  | 60                | 80   | 100  | 120  | 140  | 160  | 60                 | 80   | 100  | 120  | 140  | 160  | 60                 | 80   | 100  | 120  | 140  | 160  | 60                 | 80   | 100  | 120  | 140  | 160  |
|-----------------|-------------------|------|------|------|------|------|-------------------|------|------|------|------|------|--------------------|------|------|------|------|------|--------------------|------|------|------|------|------|--------------------|------|------|------|------|------|
| 0               | Slope $\beta_s$ 0 |      |      |      |      |      | Slope $\beta_s$ 5 |      |      |      |      |      | Slope $\beta_s$ 10 |      |      |      |      |      | Slope $\beta_s$ 15 |      |      |      |      |      | Slope $\beta_s$ 20 |      |      |      |      |      |
| TUB16           | 18,0              | 18,6 | 19,6 | 20,9 | 22,4 | 23,9 | 17,8              | 18,4 | 19,3 | 20,6 | 22,0 | 23,4 | 17,6               | 18,1 | 19,0 | 20,2 | 21,6 | 23,0 | 17,4               | 17,9 | 18,7 | 19,9 | 21,1 | 22,5 | 17,3               | 17,7 | 18,5 | 19,5 | 20,7 | 22,0 |
| TUB20           | 27,5              | 28,3 | 29,8 | 31,7 | 33,8 | 36,0 | 27,2              | 27,9 | 29,4 | 31,2 | 33,2 | 35,3 | 26,9               | 27,5 | 28,9 | 30,6 | 32,6 | 34,6 | 26,6               | 27,2 | 28,5 | 30,1 | 32,0 | 34,0 | 26,3               | 26,9 | 28,1 | 29,6 | 31,4 | 33,3 |
| TUB24           | 37,6              | 38,7 | 40,7 | 43,2 | 46,0 | 48,8 | 37,2              | 38,2 | 40,1 | 42,5 | 45,1 | 47,9 | 36,8               | 37,7 | 39,5 | 41,8 | 44,3 | 47,0 | 36,5               | 37,2 | 38,9 | 41,1 | 43,5 | 46,1 | 36,2               | 36,9 | 38,4 | 40,5 | 42,8 | 45,3 |
| TUB28           | 48,2              | 49,5 | 51,9 | 55,0 | 58,3 | 61,5 | 47,7              | 48,8 | 51,2 | 54,1 | 57,3 | 60,5 | 47,2               | 48,2 | 50,4 | 53,2 | 56,3 | 59,5 | 46,8               | 47,7 | 49,8 | 52,5 | 55,4 | 58,5 | 46,3               | 47,3 | 49,2 | 51,8 | 54,6 | 57,6 |
| 30              | Slope $\beta_s$ 0 |      |      |      |      |      | Slope $\beta_s$ 5 |      |      |      |      |      | Slope $\beta_s$ 10 |      |      |      |      |      | Slope $\beta_s$ 15 |      |      |      |      |      | Slope $\beta_s$ 20 |      |      |      |      |      |
| TUBS16          | 16,0              | 16,5 | 17,3 | 18,4 | 19,5 | 20,8 | 15,8              | 16,3 | 17,1 | 18,1 | 19,2 | 20,4 | 15,7               | 16,1 | 16,9 | 17,8 | 18,9 | 20,1 | 15,5               | 15,9 | 16,6 | 17,6 | 18,6 | 19,7 | 15,4               | 15,7 | 16,4 | 17,3 | 18,3 | 19,3 |
| TUBS20          | 24,4              | 25,1 | 26,4 | 28,0 | 29,8 | 31,6 | 24,2              | 24,8 | 26,1 | 27,6 | 29,3 | 31,1 | 23,9               | 24,5 | 25,7 | 27,2 | 28,8 | 30,5 | 23,7               | 24,2 | 25,3 | 26,7 | 28,3 | 29,9 | 23,5               | 24,0 | 25,0 | 26,3 | 27,8 | 29,4 |
| TUBS24          | 33,7              | 34,7 | 36,4 | 38,6 | 40,9 | 43,3 | 33,4              | 34,2 | 35,9 | 38,0 | 40,2 | 42,6 | 33,0               | 33,8 | 35,4 | 37,3 | 39,5 | 41,8 | 32,7               | 33,4 | 34,9 | 36,7 | 38,9 | 41,1 | 32,4               | 33,1 | 34,4 | 36,2 | 38,2 | 40,3 |
| TUBS28          | 43,6              | 44,7 | 46,9 | 49,7 | 52,6 | 55,6 | 43,1              | 44,2 | 46,3 | 48,9 | 51,7 | 54,6 | 42,7               | 43,6 | 45,6 | 48,1 | 50,8 | 53,7 | 42,3               | 43,2 | 45,0 | 47,4 | 50,0 | 52,8 | 42,0               | 42,7 | 44,4 | 46,7 | 49,2 | 51,9 |
| 45              | Slope $\beta_s$ 0 |      |      |      |      |      | Slope $\beta_s$ 5 |      |      |      |      |      | Slope $\beta_s$ 10 |      |      |      |      |      | Slope $\beta_s$ 15 |      |      |      |      |      | Slope $\beta_s$ 20 |      |      |      |      |      |
| TUBS16          | 16,1              | 16,6 | 17,5 | 18,5 | 19,7 | 20,9 | 16,0              | 16,4 | 17,2 | 18,3 | 19,4 | 20,6 | 15,8               | 16,2 | 17,0 | 18,0 | 19,1 | 20,2 | 15,6               | 16,0 | 16,8 | 17,7 | 18,8 | 19,9 | 15,5               | 15,8 | 16,5 | 17,4 | 18,4 | 19,5 |
| TUBS20          | 24,6              | 25,4 | 26,7 | 28,3 | 30,0 | 31,8 | 24,4              | 25,1 | 26,3 | 27,8 | 29,5 | 31,3 | 24,1               | 24,7 | 25,9 | 27,4 | 29,0 | 30,7 | 23,9               | 24,4 | 25,5 | 26,9 | 28,5 | 30,2 | 23,7               | 24,2 | 25,2 | 26,5 | 28,0 | 29,6 |
| TUBS24          | 34,0              | 35,0 | 36,7 | 38,9 | 41,2 | 43,6 | 33,7              | 34,5 | 36,2 | 38,3 | 40,5 | 42,8 | 33,3               | 34,1 | 35,7 | 37,6 | 39,8 | 42,1 | 33,0               | 33,7 | 35,2 | 37,1 | 39,2 | 41,3 | 32,7               | 33,3 | 34,7 | 36,5 | 38,5 | 40,6 |
| TUBS28          | 43,9              | 45,1 | 47,3 | 50,0 | 52,9 | 55,7 | 43,5              | 44,5 | 46,6 | 49,2 | 52,0 | 54,8 | 43,1               | 44,0 | 46,0 | 48,4 | 51,2 | 53,9 | 42,7               | 43,5 | 45,3 | 47,7 | 50,3 | 53,0 | 42,3               | 43,1 | 44,8 | 47,1 | 49,6 | 52,2 |
| 60              | Slope $\beta_s$ 0 |      |      |      |      |      | Slope $\beta_s$ 5 |      |      |      |      |      | Slope $\beta_s$ 10 |      |      |      |      |      | Slope $\beta_s$ 15 |      |      |      |      |      | Slope $\beta_s$ 20 |      |      |      |      |      |
| TUBS16          | 16,3              | 16,8 | 17,7 | 18,8 | 20,0 | 21,2 | 16,2              | 16,6 | 17,5 | 18,5 | 19,7 | 20,9 | 16,0               | 16,4 | 17,2 | 18,2 | 19,3 | 20,5 | 15,8               | 16,2 | 17,0 | 17,9 | 19,0 | 20,1 | 15,7               | 16,0 | 16,7 | 17,6 | 18,7 | 19,8 |
| TUBS20          | 25,0              | 25,7 | 27,0 | 28,6 | 30,4 | 32,2 | 24,7              | 25,4 | 26,6 | 28,2 | 29,9 | 31,7 | 24,5               | 25,1 | 26,3 | 27,8 | 29,4 | 31,1 | 24,2               | 24,8 | 25,9 | 27,3 | 28,9 | 30,5 | 24,0               | 24,5 | 25,5 | 26,9 | 28,4 | 30,0 |
| TUBS24          | 34,5              | 35,4 | 37,2 | 39,3 | 41,6 | 43,9 | 34,1              | 35,0 | 36,6 | 38,7 | 41,0 | 43,2 | 33,8               | 34,5 | 36,1 | 38,1 | 40,3 | 42,5 | 33,4               | 34,1 | 35,6 | 37,5 | 39,6 | 41,8 | 33,2               | 33,8 | 35,2 | 37,0 | 39,0 | 41,1 |
| TUBS28          | 44,5              | 45,7 | 47,9 | 50,5 | 53,3 | 55,9 | 44,0              | 45,1 | 47,2 | 49,7 | 52,5 | 55,1 | 43,6               | 44,5 | 46,5 | 49,0 | 51,6 | 54,3 | 43,2               | 44,1 | 45,9 | 48,3 | 50,8 | 53,4 | 42,9               | 43,6 | 45,4 | 47,6 | 50,1 | 52,6 |
| 75              | Slope $\beta_s$ 0 |      |      |      |      |      | Slope $\beta_s$ 5 |      |      |      |      |      | Slope $\beta_s$ 10 |      |      |      |      |      | Slope $\beta_s$ 15 |      |      |      |      |      | Slope $\beta_s$ 20 |      |      |      |      |      |
| TUBS16          | 16,6              | 17,2 | 18,1 | 19,2 | 20,4 | 21,6 | 16,5              | 17,0 | 17,8 | 18,9 | 20,1 | 21,3 | 16,3               | 16,8 | 17,6 | 18,6 | 19,7 | 20,9 | 16,2               | 16,5 | 17,3 | 18,3 | 19,4 | 20,5 | 16,0               | 16,4 | 17,1 | 18,0 | 19,0 | 20,1 |
| TUBS20          | 25,5              | 26,2 | 27,6 | 29,2 | 30,9 | 32,7 | 25,2              | 25,9 | 27,2 | 28,7 | 30,5 | 32,2 | 25,0               | 25,6 | 26,8 | 28,3 | 29,9 | 31,6 | 24,7               | 25,3 | 26,4 | 27,8 | 29,4 | 31,1 | 24,5               | 25,0 | 26,0 | 27,4 | 28,9 | 30,5 |
| TUBS24          | 35,1              | 36,1 | 37,9 | 40,0 | 42,3 | 44,4 | 34,8              | 35,6 | 37,3 | 39,4 | 41,6 | 43,8 | 34,4               | 35,2 | 36,8 | 38,8 | 40,9 | 43,1 | 34,1               | 34,8 | 36,3 | 38,2 | 40,3 | 42,4 | 33,8               | 34,4 | 35,8 | 37,6 | 39,7 | 41,7 |
| TUBS28          | 45,3              | 46,4 | 48,6 | 51,3 | 53,9 | 56,3 | 44,8              | 45,9 | 47,9 | 50,5 | 53,1 | 55,6 | 44,4               | 45,3 | 47,3 | 49,7 | 52,3 | 54,8 | 44,0               | 44,8 | 46,7 | 49,0 | 51,6 | 54,1 | 43,7               | 44,4 | 46,2 | 48,4 | 50,8 | 53,3 |
| 85              | Slope $\beta_s$ 0 |      |      |      |      |      | Slope $\beta_s$ 5 |      |      |      |      |      | Slope $\beta_s$ 10 |      |      |      |      |      | Slope $\beta_s$ 15 |      |      |      |      |      | Slope $\beta_s$ 20 |      |      |      |      |      |
| TUBS16          | 17,0              | 17,5 | 18,4 | 19,5 | 20,7 | 22,0 | 16,8              | 17,3 | 18,2 | 19,2 | 20,4 | 21,6 | 16,6               | 17,1 | 17,9 | 18,9 | 20,1 | 21,3 | 16,5               | 16,9 | 17,6 | 18,6 | 19,7 | 20,9 | 16,3               | 16,7 | 17,4 | 18,3 | 19,4 | 20,5 |
| TUBS20          | 25,9              | 26,7 | 28,0 | 29,7 | 31,4 | 33,2 | 25,7              | 26,4 | 27,6 | 29,2 | 30,9 | 32,7 | 25,4               | 26,0 | 27,2 | 28,8 | 30,4 | 32,1 | 25,2               | 25,7 | 26,9 | 28,3 | 29,9 | 31,6 | 24,9               | 25,4 | 26,5 | 27,9 | 29,4 | 31,0 |
| TUBS24          | 35,7              | 36,7 | 38,5 | 40,6 | 42,8 | 44,9 | 35,3              | 36,2 | 37,9 | 40,0 | 42,2 | 44,3 | 35,0               | 35,8 | 37,4 | 39,4 | 41,5 | 43,6 | 34,7               | 35,4 | 36,9 | 38,8 | 40,9 | 43,0 | 34,4               | 35,0 | 36,4 | 38,2 | 40,3 | 42,3 |
| TUBS28          | 46,0              | 47,1 | 49,3 | 51,9 | 54,5 | 56,6 | 45,5              | 46,5 | 48,6 | 51,2 | 53,7 | 56,0 | 45,1               | 46,0 | 48,0 | 50,4 | 53,0 | 55,3 | 44,7               | 45,5 | 47,4 | 49,7 | 52,2 | 54,6 | 44,4               | 45,1 | 46,8 | 49,1 | 51,5 | 53,9 |

**Characteristic values (in kN) of TUB and TUBS joist ties for connections between timber header beam and supported joist.**

|   |                 |
|---|-----------------|
| Simpson Strong-Tie – Concealed Beam Hangers | <b>ANNEXE 5</b> |
| CHARACTERISTIC VALUES                       | ETA-07/0125     |

| Skew $\alpha_N$ | 60                 | 80   | 100  | 120  | 140  | 160  | 60                   | 80   | 100  | 120  | 140  | 160  | 60                 | 80   | 100  | 120  | 140  | 160  | 60                 | 80   | 100  | 120  | 140  | 160  | 60                 | 80   | 100  | 120  | 140  | 160  |
|-----------------|--------------------|------|------|------|------|------|----------------------|------|------|------|------|------|--------------------|------|------|------|------|------|--------------------|------|------|------|------|------|--------------------|------|------|------|------|------|
| 0               | Slope $\beta_s$ 25 |      |      |      |      |      | Slope $\beta_s$ 30   |      |      |      |      |      | Slope $\beta_s$ 35 |      |      |      |      |      | Slope $\beta_s$ 40 |      |      |      |      |      | Slope $\beta_s$ 45 |      |      |      |      |      |
| TUB16           | 17,1               | 17,5 | 18,2 | 19,2 | 20,4 | 21,6 | 17,0                 | 17,3 | 18,0 | 19,0 | 20,1 | 21,2 | 16,8               | 17,1 | 17,8 | 18,7 | 19,8 | 20,9 | 16,6               | 17,0 | 17,7 | 18,5 | 19,5 | 20,6 | 16,5               | 16,9 | 17,5 | 18,4 | 19,4 | 20,4 |
| TUB20           | 26,1               | 26,6 | 27,7 | 29,2 | 30,9 | 32,7 | 25,8                 | 26,4 | 27,4 | 28,9 | 30,5 | 32,2 | 25,5               | 26,2 | 27,2 | 28,6 | 30,1 | 31,8 | 25,3               | 26,1 | 27,0 | 28,3 | 29,8 | 31,5 | 25,2               | 26,0 | 26,9 | 28,2 | 29,6 | 31,2 |
| TUB24           | 35,8               | 36,5 | 38,0 | 40,0 | 42,2 | 44,6 | 35,4                 | 36,3 | 37,7 | 39,6 | 41,7 | 44,0 | 35,1               | 36,1 | 37,4 | 39,2 | 41,3 | 43,5 | 34,9               | 36,0 | 37,3 | 39,0 | 41,0 | 43,1 | 34,8               | 35,9 | 37,2 | 38,8 | 40,8 | 42,9 |
| TUB28           | 45,8               | 46,9 | 48,8 | 51,2 | 53,9 | 56,8 | 45,3                 | 46,7 | 48,4 | 50,7 | 53,4 | 56,1 | 45,1               | 46,5 | 48,2 | 50,4 | 52,9 | 55,6 | 45,0               | 46,4 | 48,0 | 50,2 | 52,6 | 55,2 | 45,0               | 46,4 | 47,9 | 50,1 | 52,5 | 55,0 |
| 30              | Slope $\beta_s$ 25 |      |      |      |      |      | Slope $\beta_s$ 30,0 |      |      |      |      |      | Slope $\beta_s$ 35 |      |      |      |      |      | Slope $\beta_s$ 40 |      |      |      |      |      | Slope $\beta_s$ 45 |      |      |      |      |      |
| TUBS16          | 15,2               | 15,5 | 16,2 | 17,0 | 18,0 | 19,0 | 15,1                 | 15,4 | 16,0 | 16,8 | 17,7 | 18,7 | 15,0               | 15,3 | 15,8 | 16,6 | 17,4 | 18,4 | 14,9               | 15,1 | 15,7 | 16,4 | 17,2 | 18,1 | 14,7               | 15,1 | 15,6 | 16,3 | 17,0 | 17,9 |
| TUBS20          | 23,3               | 23,7 | 24,7 | 25,9 | 27,3 | 28,9 | 23,1                 | 23,5 | 24,4 | 25,6 | 26,9 | 28,4 | 22,9               | 23,3 | 24,2 | 25,3 | 26,6 | 28,0 | 22,7               | 23,2 | 24,0 | 25,1 | 26,3 | 27,7 | 22,5               | 23,1 | 23,8 | 24,9 | 26,1 | 27,4 |
| TUBS24          | 32,2               | 32,7 | 34,0 | 35,7 | 37,6 | 39,7 | 31,9                 | 32,5 | 33,7 | 35,3 | 37,1 | 39,1 | 31,5               | 32,3 | 33,4 | 34,9 | 36,7 | 38,6 | 31,3               | 32,1 | 33,2 | 34,7 | 36,4 | 38,2 | 31,1               | 32,0 | 33,1 | 34,5 | 36,1 | 37,9 |
| TUBS28          | 41,6               | 42,4 | 44,0 | 46,1 | 48,5 | 51,1 | 41,1                 | 42,1 | 43,6 | 45,6 | 47,9 | 50,4 | 40,8               | 41,8 | 43,3 | 45,2 | 47,5 | 49,8 | 40,5               | 41,7 | 43,1 | 44,9 | 47,1 | 49,4 | 40,4               | 41,6 | 42,9 | 44,8 | 46,8 | 49,1 |
| 45              | Slope $\beta_s$ 25 |      |      |      |      |      | Slope $\beta_s$ 30,0 |      |      |      |      |      | Slope $\beta_s$ 35 |      |      |      |      |      | Slope $\beta_s$ 40 |      |      |      |      |      | Slope $\beta_s$ 45 |      |      |      |      |      |
| TUBS16          | 15,4               | 15,7 | 16,3 | 17,2 | 18,1 | 19,1 | 15,2                 | 15,5 | 16,1 | 16,9 | 17,8 | 18,8 | 15,1               | 15,4 | 15,9 | 16,7 | 17,6 | 18,5 | 15,0               | 15,3 | 15,8 | 16,5 | 17,4 | 18,3 | 14,8               | 15,2 | 15,7 | 16,4 | 17,2 | 18,1 |
| TUBS20          | 23,5               | 23,9 | 24,9 | 26,1 | 27,6 | 29,1 | 23,3                 | 23,7 | 24,6 | 25,8 | 27,2 | 28,6 | 23,1               | 23,5 | 24,4 | 25,5 | 26,8 | 28,2 | 22,8               | 23,4 | 24,2 | 25,3 | 26,6 | 27,9 | 22,7               | 23,3 | 24,1 | 25,1 | 26,3 | 27,6 |
| TUBS24          | 32,5               | 33,0 | 34,3 | 36,0 | 37,9 | 40,0 | 32,1                 | 32,8 | 34,0 | 35,6 | 37,4 | 39,4 | 31,8               | 32,6 | 33,7 | 35,3 | 37,0 | 38,9 | 31,6               | 32,4 | 33,5 | 35,0 | 36,7 | 38,5 | 31,4               | 32,3 | 33,4 | 34,8 | 36,4 | 38,2 |
| TUBS28          | 42,0               | 42,7 | 44,3 | 46,5 | 48,9 | 51,4 | 41,5                 | 42,4 | 44,0 | 46,0 | 48,3 | 50,7 | 41,1               | 42,2 | 43,7 | 45,6 | 47,8 | 50,2 | 40,9               | 42,0 | 43,4 | 45,3 | 47,5 | 49,7 | 40,8               | 42,0 | 43,3 | 45,1 | 47,2 | 49,4 |
| 60              | Slope $\beta_s$ 25 |      |      |      |      |      | Slope $\beta_s$ 30,0 |      |      |      |      |      | Slope $\beta_s$ 35 |      |      |      |      |      | Slope $\beta_s$ 40 |      |      |      |      |      | Slope $\beta_s$ 45 |      |      |      |      |      |
| TUBS16          | 15,5               | 15,8 | 16,5 | 17,4 | 18,4 | 19,4 | 15,4                 | 15,7 | 16,3 | 17,1 | 18,1 | 19,1 | 15,3               | 15,6 | 16,1 | 16,9 | 17,8 | 18,8 | 15,1               | 15,4 | 16,0 | 16,7 | 17,6 | 18,5 | 15,0               | 15,3 | 15,9 | 16,6 | 17,4 | 18,3 |
| TUBS20          | 23,8               | 24,2 | 25,2 | 26,5 | 27,9 | 29,5 | 23,6                 | 24,0 | 24,9 | 26,2 | 27,5 | 29,0 | 23,4               | 23,8 | 24,7 | 25,9 | 27,2 | 28,6 | 23,1               | 23,7 | 24,5 | 25,6 | 26,9 | 28,3 | 23,0               | 23,6 | 24,4 | 25,5 | 26,7 | 28,0 |
| TUBS24          | 32,9               | 33,5 | 34,8 | 36,5 | 38,4 | 40,4 | 32,5                 | 33,2 | 34,4 | 36,1 | 37,9 | 39,9 | 32,2               | 33,0 | 34,2 | 35,7 | 37,5 | 39,4 | 32,0               | 32,8 | 34,0 | 35,5 | 37,2 | 39,0 | 31,8               | 32,7 | 33,8 | 35,3 | 36,9 | 38,7 |
| TUBS28          | 42,5               | 43,3 | 44,9 | 47,0 | 49,4 | 51,9 | 42,0                 | 43,0 | 44,5 | 46,6 | 48,9 | 51,3 | 41,6               | 42,8 | 44,2 | 46,2 | 48,4 | 50,7 | 41,4               | 42,6 | 44,0 | 45,9 | 48,1 | 50,3 | 41,3               | 42,5 | 43,9 | 45,7 | 47,8 | 50,0 |
| 75              | Slope $\beta_s$ 25 |      |      |      |      |      | Slope $\beta_s$ 30,0 |      |      |      |      |      | Slope $\beta_s$ 35 |      |      |      |      |      | Slope $\beta_s$ 40 |      |      |      |      |      | Slope $\beta_s$ 45 |      |      |      |      |      |
| TUBS16          | 15,9               | 16,2 | 16,8 | 17,7 | 18,7 | 19,8 | 15,7                 | 16,0 | 16,6 | 17,5 | 18,4 | 19,5 | 15,6               | 15,9 | 16,5 | 17,3 | 18,2 | 19,2 | 15,4               | 15,8 | 16,3 | 17,1 | 18,0 | 18,9 | 15,3               | 15,7 | 16,2 | 16,9 | 17,8 | 18,7 |
| TUBS20          | 24,3               | 24,7 | 25,7 | 27,0 | 28,5 | 30,0 | 24,1                 | 24,5 | 25,4 | 26,7 | 28,1 | 29,6 | 23,8               | 24,3 | 25,2 | 26,4 | 27,7 | 29,2 | 23,6               | 24,2 | 25,0 | 26,2 | 27,5 | 28,9 | 23,4               | 24,1 | 24,9 | 26,0 | 27,3 | 28,6 |
| TUBS24          | 33,6               | 34,1 | 35,4 | 37,2 | 39,1 | 41,1 | 33,2                 | 33,9 | 35,1 | 36,8 | 38,6 | 40,5 | 32,8               | 33,7 | 34,8 | 36,4 | 38,2 | 40,1 | 32,6               | 33,5 | 34,6 | 36,2 | 37,9 | 39,7 | 32,5               | 33,4 | 34,5 | 36,0 | 37,7 | 39,4 |
| TUBS28          | 43,2               | 44,1 | 45,7 | 47,8 | 50,2 | 52,6 | 42,7                 | 43,8 | 45,3 | 47,4 | 49,7 | 52,0 | 42,4               | 43,6 | 45,1 | 47,0 | 49,2 | 51,5 | 42,2               | 43,4 | 44,9 | 46,8 | 48,9 | 51,1 | 42,1               | 43,4 | 44,8 | 46,6 | 48,7 | 50,8 |
| 85              | Slope $\beta_s$ 25 |      |      |      |      |      | Slope $\beta_s$ 30,0 |      |      |      |      |      | Slope $\beta_s$ 35 |      |      |      |      |      | Slope $\beta_s$ 40 |      |      |      |      |      | Slope $\beta_s$ 45 |      |      |      |      |      |
| TUBS16          | 16,2               | 16,5 | 17,2 | 18,1 | 19,1 | 20,1 | 16,0                 | 16,3 | 17,0 | 17,8 | 18,8 | 19,8 | 15,9               | 16,2 | 16,8 | 17,6 | 18,5 | 19,5 | 15,7               | 16,1 | 16,6 | 17,4 | 18,3 | 19,3 | 15,6               | 16,0 | 16,5 | 17,3 | 18,1 | 19,1 |
| TUBS20          | 24,7               | 25,2 | 26,2 | 27,5 | 29,0 | 30,5 | 24,5                 | 25,0 | 25,9 | 27,2 | 28,6 | 30,1 | 24,3               | 24,8 | 25,7 | 26,9 | 28,2 | 29,7 | 24,0               | 24,7 | 25,5 | 26,7 | 28,0 | 29,4 | 23,9               | 24,6 | 25,4 | 26,5 | 27,8 | 29,1 |
| TUBS24          | 34,1               | 34,7 | 36,0 | 37,8 | 39,7 | 41,7 | 33,7                 | 34,5 | 35,7 | 37,4 | 39,2 | 41,2 | 33,4               | 34,3 | 35,5 | 37,0 | 38,8 | 40,7 | 33,2               | 34,1 | 35,3 | 36,8 | 38,5 | 40,3 | 33,1               | 34,0 | 35,1 | 36,6 | 38,3 | 40,1 |
| TUBS28          | 43,8               | 44,8 | 46,4 | 48,5 | 50,9 | 53,2 | 43,4                 | 44,5 | 46,1 | 48,1 | 50,4 | 52,7 | 43,1               | 44,3 | 45,8 | 47,8 | 50,0 | 52,2 | 42,9               | 44,2 | 45,6 | 47,5 | 49,6 | 51,8 | 42,9               | 44,1 | 45,5 | 47,4 | 49,4 | 51,5 |

Characteristic values (in kN) of TUB and TUBS joist ties for connections between timber header beam and supported joist.

|   |                 |
|---|-----------------|
| Simpson Strong-Tie – Concealed Beam Hangers | <b>ANNEXE 5</b> |
| CHARACTERISTIC VALUES                       | ETA-07/0125     |



| Skew $\alpha_N$ | 60                                  | 80   | 100  | 120  | 140  | 160  | 60                                  | 80   | 100  | 120  | 140  | 160  | 60                                   | 80   | 100  | 120  | 140  | 160  | 60                                   | 80   | 100  | 120  | 140  | 160  | 60                                   | 80   | 100  | 120  | 140  | 160  |
|-----------------|-------------------------------------|------|------|------|------|------|-------------------------------------|------|------|------|------|------|--------------------------------------|------|------|------|------|------|--------------------------------------|------|------|------|------|------|--------------------------------------|------|------|------|------|------|
| <b>0</b>        | <b>Slope <math>\beta_s</math> 0</b> |      |      |      |      |      | <b>Slope <math>\beta_s</math> 5</b> |      |      |      |      |      | <b>Slope <math>\beta_s</math> 10</b> |      |      |      |      |      | <b>Slope <math>\beta_s</math> 15</b> |      |      |      |      |      | <b>Slope <math>\beta_s</math> 20</b> |      |      |      |      |      |
| TUB16           | 16,2                                | 16,8 | 17,8 | 19   | 20,4 | 21,8 | 16                                  | 16,6 | 17,5 | 18,7 | 20   | 21,4 | 15,8                                 | 16,3 | 17,2 | 18,4 | 19,6 | 21   | 15,7                                 | 16,1 | 17   | 18   | 19,2 | 20,5 | 15,5                                 | 15,9 | 16,7 | 17,7 | 18,9 | 20,1 |
| TUB20           | 22,6                                | 23,4 | 24,7 | 26,1 | 27,5 | 28,4 | 22,4                                | 23,1 | 24,3 | 25,8 | 27,2 | 28,2 | 22,2                                 | 22,8 | 24   | 25,4 | 26,8 | 28   | 21,9                                 | 22,5 | 23,6 | 25   | 26,4 | 27,7 | 21,7                                 | 22,2 | 23,3 | 24,6 | 26   | 27,3 |
| TUB24           | 31,8                                | 32,8 | 34,4 | 36,2 | 37,7 | 37,8 | 31,5                                | 32,4 | 34   | 35,8 | 37,4 | 37,8 | 31,2                                 | 32   | 33,5 | 35,3 | 37   | 37,8 | 30,8                                 | 31,6 | 33   | 34,7 | 36,5 | 37,7 | 30,5                                 | 31,2 | 32,6 | 34,2 | 36   | 37,4 |
| TUB28           | 37                                  | 37,6 | 37,8 | 37,8 | 37,8 | 37,8 | 36,7                                | 37,4 | 37,8 | 37,8 | 37,8 | 37,8 | 36,4                                 | 37,1 | 37,8 | 37,8 | 37,8 | 37,8 | 36,2                                 | 36,8 | 37,7 | 37,8 | 37,8 | 37,8 | 35,9                                 | 36,5 | 37,5 | 37,8 | 37,8 | 37,8 |
| <b>30</b>       | <b>Slope <math>\beta_s</math> 0</b> |      |      |      |      |      | <b>Slope <math>\beta_s</math> 5</b> |      |      |      |      |      | <b>Slope <math>\beta_s</math> 10</b> |      |      |      |      |      | <b>Slope <math>\beta_s</math> 15</b> |      |      |      |      |      | <b>Slope <math>\beta_s</math> 20</b> |      |      |      |      |      |
| TUBS16          | 14,4                                | 14,9 | 15,7 | 16,7 | 17,8 | 18,9 | 14,3                                | 14,7 | 15,5 | 16,5 | 17,5 | 18,6 | 14,1                                 | 14,5 | 15,3 | 16,2 | 17,2 | 18,3 | 14                                   | 14,4 | 15,1 | 15,9 | 16,9 | 18   | 13,8                                 | 14,2 | 14,8 | 15,7 | 16,6 | 17,6 |
| TUBS20          | 20,3                                | 21   | 22,1 | 23,3 | 23,7 | 23,7 | 20,2                                | 20,8 | 21,8 | 23   | 23,7 | 23,7 | 20                                   | 20,5 | 21,5 | 22,7 | 23,7 | 23,7 | 19,8                                 | 20,3 | 21,2 | 22,3 | 23,6 | 23,7 | 19,6                                 | 20   | 20,9 | 22   | 23,2 | 23,7 |
| TUBS24          | 28,5                                | 29,4 | 30,9 | 32,3 | 32,3 | 32,3 | 28,3                                | 29,1 | 30,5 | 32,2 | 32,3 | 32,3 | 28                                   | 28,7 | 30,1 | 31,7 | 32,3 | 32,3 | 27,7                                 | 28,4 | 29,6 | 31,2 | 32,3 | 32,3 | 27,4                                 | 28   | 29,2 | 30,8 | 32,3 | 32,3 |
| TUBS28          | 34                                  | 34   | 34   | 34   | 34   | 34   | 33,7                                | 34   | 34   | 34   | 34   | 34   | 33,5                                 | 34   | 34   | 34   | 34   | 34   | 33,2                                 | 33,8 | 34   | 34   | 34   | 34   | 32,9                                 | 33,5 | 34   | 34   | 34   | 34   |
| <b>45</b>       | <b>Slope <math>\beta_s</math> 0</b> |      |      |      |      |      | <b>Slope <math>\beta_s</math> 5</b> |      |      |      |      |      | <b>Slope <math>\beta_s</math> 10</b> |      |      |      |      |      | <b>Slope <math>\beta_s</math> 15</b> |      |      |      |      |      | <b>Slope <math>\beta_s</math> 20</b> |      |      |      |      |      |
| TUBS16          | 14,5                                | 15   | 15,8 | 16,8 | 17,9 | 19   | 14,4                                | 14,8 | 15,6 | 16,6 | 17,6 | 18,7 | 14,2                                 | 14,6 | 15,4 | 16,3 | 17,4 | 18,4 | 14,1                                 | 14,5 | 15,2 | 16,1 | 17,1 | 18,1 | 13,9                                 | 14,3 | 14,9 | 15,8 | 16,7 | 17,7 |
| TUBS20          | 20,5                                | 21,1 | 22,2 | 23,4 | 23,7 | 23,7 | 20,3                                | 20,9 | 21,9 | 23,1 | 23,7 | 23,7 | 20,1                                 | 20,6 | 21,6 | 22,8 | 23,7 | 23,7 | 19,9                                 | 20,4 | 21,3 | 22,4 | 23,6 | 23,7 | 19,7                                 | 20,1 | 21   | 22,1 | 23,2 | 23,7 |
| TUBS24          | 28,7                                | 29,6 | 31   | 32,3 | 32,3 | 32,3 | 28,4                                | 29,2 | 30,6 | 32,2 | 32,3 | 32,3 | 28,1                                 | 28,9 | 30,2 | 31,8 | 32,3 | 32,3 | 27,9                                 | 28,5 | 29,8 | 31,3 | 32,3 | 32,3 | 27,6                                 | 28,2 | 29,4 | 30,9 | 32,3 | 32,3 |
| TUBS28          | 34                                  | 34   | 34   | 34   | 34   | 34   | 33,8                                | 34   | 34   | 34   | 34   | 34   | 33,5                                 | 34   | 34   | 34   | 34   | 34   | 33,3                                 | 33,9 | 34   | 34   | 34   | 34   | 33                                   | 33,6 | 34   | 34   | 34   | 34   |
| <b>60</b>       | <b>Slope <math>\beta_s</math> 0</b> |      |      |      |      |      | <b>Slope <math>\beta_s</math> 5</b> |      |      |      |      |      | <b>Slope <math>\beta_s</math> 10</b> |      |      |      |      |      | <b>Slope <math>\beta_s</math> 15</b> |      |      |      |      |      | <b>Slope <math>\beta_s</math> 20</b> |      |      |      |      |      |
| TUBS16          | 14,7                                | 15,2 | 16   | 17   | 18,1 | 19,2 | 14,5                                | 15   | 15,8 | 16,8 | 17,8 | 18,9 | 14,4                                 | 14,8 | 15,6 | 16,5 | 17,5 | 18,6 | 14,2                                 | 14,6 | 15,3 | 16,2 | 17,2 | 18,3 | 14,1                                 | 14,4 | 15,1 | 16   | 16,9 | 17,9 |
| TUBS20          | 20,6                                | 21,3 | 22,3 | 23,4 | 23,7 | 23,7 | 20,5                                | 21   | 22,1 | 23,2 | 23,7 | 23,7 | 20,3                                 | 20,8 | 21,8 | 22,9 | 23,7 | 23,7 | 20                                   | 20,5 | 21,5 | 22,6 | 23,6 | 23,7 | 19,9                                 | 20,3 | 21,2 | 22,3 | 23,3 | 23,7 |
| TUBS24          | 29                                  | 29,8 | 31,2 | 32,3 | 32,3 | 32,3 | 28,7                                | 29,5 | 30,8 | 32,2 | 32,3 | 32,3 | 28,4                                 | 29,1 | 30,4 | 31,8 | 32,3 | 32,3 | 28,1                                 | 28,8 | 30   | 31,4 | 32,3 | 32,3 | 27,9                                 | 28,5 | 29,6 | 31   | 32,3 | 32,3 |
| TUBS28          | 34                                  | 34   | 34   | 34   | 34   | 34   | 33,8                                | 34   | 34   | 34   | 34   | 34   | 33,6                                 | 34   | 34   | 34   | 34   | 34   | 33,4                                 | 33,9 | 34   | 34   | 34   | 34   | 33,1                                 | 33,6 | 34   | 34   | 34   | 34   |
| <b>75</b>       | <b>Slope <math>\beta_s</math> 0</b> |      |      |      |      |      | <b>Slope <math>\beta_s</math> 5</b> |      |      |      |      |      | <b>Slope <math>\beta_s</math> 10</b> |      |      |      |      |      | <b>Slope <math>\beta_s</math> 15</b> |      |      |      |      |      | <b>Slope <math>\beta_s</math> 20</b> |      |      |      |      |      |
| TUBS16          | 14,9                                | 15,4 | 16,3 | 17,3 | 18,4 | 19,4 | 14,8                                | 15,3 | 16,1 | 17,1 | 18,1 | 19,2 | 14,6                                 | 15,1 | 15,8 | 16,8 | 17,8 | 18,9 | 14,5                                 | 14,9 | 15,6 | 16,5 | 17,5 | 18,5 | 14,3                                 | 14,7 | 15,4 | 16,2 | 17,2 | 18,2 |
| TUBS20          | 20,9                                | 21,5 | 22,5 | 23,5 | 23,7 | 23,7 | 20,7                                | 21,3 | 22,3 | 23,3 | 23,7 | 23,7 | 20,5                                 | 21,1 | 22   | 23,1 | 23,7 | 23,7 | 20,3                                 | 20,8 | 21,7 | 22,8 | 23,7 | 23,7 | 20,1                                 | 20,6 | 21,4 | 22,5 | 23,4 | 23,7 |
| TUBS24          | 29,4                                | 30,2 | 31,4 | 32,3 | 32,3 | 32,3 | 29,1                                | 29,8 | 31,1 | 32,2 | 32,3 | 32,3 | 28,8                                 | 29,5 | 30,7 | 32   | 32,3 | 32,3 | 28,6                                 | 29,2 | 30,4 | 31,6 | 32,3 | 32,3 | 28,3                                 | 28,9 | 30   | 31,3 | 32,3 | 32,3 |
| TUBS28          | 34                                  | 34   | 34   | 34   | 34   | 34   | 33,9                                | 34   | 34   | 34   | 34   | 34   | 33,7                                 | 34   | 34   | 34   | 34   | 34   | 33,5                                 | 33,9 | 34   | 34   | 34   | 34   | 33,3                                 | 33,7 | 34   | 34   | 34   | 34   |
| <b>85</b>       | <b>Slope <math>\beta_s</math> 0</b> |      |      |      |      |      | <b>Slope <math>\beta_s</math> 5</b> |      |      |      |      |      | <b>Slope <math>\beta_s</math> 10</b> |      |      |      |      |      | <b>Slope <math>\beta_s</math> 15</b> |      |      |      |      |      | <b>Slope <math>\beta_s</math> 20</b> |      |      |      |      |      |
| TUBS16          | 15,2                                | 15,7 | 16,5 | 17,6 | 18,6 | 19,6 | 15                                  | 15,5 | 16,3 | 17,3 | 18,4 | 19,4 | 14,9                                 | 15,3 | 16,1 | 17,1 | 18,1 | 19,1 | 14,7                                 | 15,1 | 15,9 | 16,8 | 17,8 | 18,8 | 14,6                                 | 14,9 | 15,6 | 16,5 | 17,5 | 18,5 |
| TUBS20          | 21,2                                | 21,8 | 22,7 | 23,6 | 23,7 | 23,7 | 21                                  | 21,6 | 22,5 | 23,4 | 23,7 | 23,7 | 20,8                                 | 21,3 | 22,2 | 23,2 | 23,7 | 23,7 | 20,6                                 | 21,1 | 22   | 23   | 23,7 | 23,7 | 20,4                                 | 20,8 | 21,7 | 22,7 | 23,5 | 23,7 |
| TUBS24          | 29,7                                | 30,5 | 31,6 | 32,3 | 32,3 | 32,3 | 29,5                                | 30,2 | 31,3 | 32,3 | 32,3 | 32,3 | 29,2                                 | 29,9 | 31   | 32,1 | 32,3 | 32,3 | 28,9                                 | 29,5 | 30,7 | 31,8 | 32,3 | 32,3 | 28,7                                 | 29,2 | 30,3 | 31,5 | 32,3 | 32,3 |
| TUBS28          | 34                                  | 34   | 34   | 34   | 34   | 34   | 33,9                                | 34   | 34   | 34   | 34   | 34   | 33,8                                 | 34   | 34   | 34   | 34   | 34   | 33,7                                 | 34   | 34   | 34   | 34   | 34   | 33,5                                 | 33,9 | 34   | 34   | 34   | 34   |

**Characteristics values (in kN) of TUB and TUBS joist ties for connections between timber column and supported joist.**

|   |                 |
|---|-----------------|
| Simpson Strong-Tie – Concealed Beam Hangers | <b>ANNEXE 5</b> |
| CHARACTERISTIC VALUES                       | ETA-07/0125     |

| Skew $\alpha_N$ | 60              | 80   | 100  | 120  | 140  | 160  | 60              | 80   | 100  | 120  | 140  | 160  | 60   | 80   | 100             | 120  | 140  | 160  | 60   | 80   | 100  | 120  | 140             | 160  | 60   | 80   | 100  | 120  | 140  | 160  |                 |  |  |  |    |  |  |  |
|-----------------|-----------------|------|------|------|------|------|-----------------|------|------|------|------|------|------|------|-----------------|------|------|------|------|------|------|------|-----------------|------|------|------|------|------|------|------|-----------------|--|--|--|----|--|--|--|
| 0               | Slope $\beta_s$ |      | 25   |      |      |      | Slope $\beta_s$ |      |      |      | 30   |      |      |      | Slope $\beta_s$ |      |      |      | 35   |      |      |      | Slope $\beta_s$ |      |      |      | 40   |      |      |      | Slope $\beta_s$ |  |  |  | 45 |  |  |  |
| TUB16           | 15,3            | 15,7 | 16,4 | 17,4 | 18,5 | 19,7 | 15,2            | 15,5 | 16,2 | 17,1 | 18,2 | 19,3 | 15,1 | 15,3 | 16,0            | 16,9 | 17,9 | 19,0 | 14,9 | 15,2 | 15,8 | 16,7 | 17,7            | 18,7 | 14,7 | 15,1 | 15,7 | 16,5 | 17,5 | 18,5 |                 |  |  |  |    |  |  |  |
| TUB20           | 21,5            | 21,9 | 22,9 | 24,2 | 25,5 | 26,9 | 21,3            | 21,7 | 22,6 | 23,8 | 25,2 | 26,5 | 21,1 | 21,5 | 22,4            | 23,5 | 24,8 | 26,1 | 20,8 | 21,3 | 22,2 | 23,3 | 24,5            | 25,8 | 20,6 | 21,2 | 22,0 | 23,1 | 24,3 | 25,5 |                 |  |  |  |    |  |  |  |
| TUB24           | 30,3            | 30,8 | 32,1 | 33,8 | 35,5 | 37   | 30,0            | 30,6 | 31,8 | 33,4 | 35,0 | 36,6 | 29,6 | 30,3 | 31,5            | 33,0 | 34,6 | 36,2 | 29,3 | 30,1 | 31,3 | 32,7 | 34,3            | 35,9 | 29,1 | 30,0 | 31,1 | 32,5 | 34,1 | 35,6 |                 |  |  |  |    |  |  |  |
| TUB28           | 35,7            | 36,2 | 37,2 | 37,8 | 37,8 | 37,8 | 35,4            | 35,9 | 36,9 | 37,8 | 37,8 | 37,8 | 35,1 | 35,7 | 36,7            | 37,7 | 37,8 | 37,8 | 34,8 | 35,5 | 36,5 | 37,5 | 37,8            | 37,8 | 34,6 | 35,4 | 36,4 | 37,4 | 37,8 | 37,8 |                 |  |  |  |    |  |  |  |
| 30              | Slope $\beta_s$ |      | 25   |      |      |      | Slope $\beta_s$ |      |      |      | 30   |      |      |      | Slope $\beta_s$ |      |      |      | 35   |      |      |      | Slope $\beta_s$ |      |      |      | 40   |      |      |      | Slope $\beta_s$ |  |  |  | 45 |  |  |  |
| TUBS16          | 13,7            | 14   | 14,6 | 15,4 | 16,3 | 17,3 | 13,6            | 13,9 | 14,4 | 15,2 | 16,1 | 17,0 | 13,5 | 13,7 | 14,3            | 15,0 | 15,8 | 16,7 | 13,4 | 13,6 | 14,1 | 14,8 | 15,6            | 16,5 | 13,2 | 13,5 | 14,0 | 14,7 | 15,4 | 16,2 |                 |  |  |  |    |  |  |  |
| TUBS20          | 19,4            | 19,8 | 20,6 | 21,7 | 22,8 | 23,7 | 19,2            | 19,6 | 20,4 | 21,4 | 22,5 | 23,6 | 19,1 | 19,4 | 20,1            | 21,1 | 22,2 | 23,3 | 18,9 | 19,3 | 20,0 | 20,9 | 21,9            | 23,0 | 18,7 | 19,1 | 19,8 | 20,7 | 21,7 | 22,7 |                 |  |  |  |    |  |  |  |
| TUBS24          | 27,2            | 27,7 | 28,9 | 30,3 | 31,9 | 32,3 | 27,0            | 27,4 | 28,5 | 29,9 | 31,4 | 32,3 | 26,7 | 27,2 | 28,2            | 29,6 | 31,0 | 32,3 | 26,4 | 27,0 | 28,0 | 29,3 | 30,7            | 32,2 | 26,2 | 26,9 | 27,8 | 29,0 | 30,4 | 31,9 |                 |  |  |  |    |  |  |  |
| TUBS28          | 32,6            | 33,2 | 34   | 34   | 34   | 34   | 32,4            | 32,9 | 34,0 | 34,0 | 34,0 | 34,0 | 32,2 | 32,7 | 33,7            | 34,0 | 34,0 | 34,0 | 31,9 | 32,5 | 33,5 | 34,0 | 34,0            | 34,0 | 31,6 | 32,3 | 33,3 | 34,0 | 34,0 | 34,0 |                 |  |  |  |    |  |  |  |
| 45              | Slope $\beta_s$ |      | 25   |      |      |      | Slope $\beta_s$ |      |      |      | 30   |      |      |      | Slope $\beta_s$ |      |      |      | 35   |      |      |      | Slope $\beta_s$ |      |      |      | 40   |      |      |      | Slope $\beta_s$ |  |  |  | 45 |  |  |  |
| TUBS16          | 13,8            | 14,1 | 14,7 | 15,5 | 16,5 | 17,4 | 13,7            | 13,9 | 14,5 | 15,3 | 16,2 | 17,1 | 13,6 | 13,8 | 14,4            | 15,1 | 15,9 | 16,8 | 13,4 | 13,7 | 14,2 | 14,9 | 15,7            | 16,6 | 13,3 | 13,6 | 14,1 | 14,8 | 15,5 | 16,4 |                 |  |  |  |    |  |  |  |
| TUBS20          | 19,5            | 19,9 | 20,7 | 21,8 | 22,9 | 23,7 | 19,3            | 19,7 | 20,5 | 21,5 | 22,6 | 23,7 | 19,2 | 19,5 | 20,3            | 21,2 | 22,3 | 23,3 | 19,0 | 19,4 | 20,1 | 21,0 | 22,0            | 23,1 | 18,8 | 19,2 | 19,9 | 20,8 | 21,8 | 22,8 |                 |  |  |  |    |  |  |  |
| TUBS24          | 27,4            | 27,9 | 29   | 30,4 | 31,9 | 32,3 | 27,1            | 27,6 | 28,7 | 30,1 | 31,5 | 32,3 | 26,9 | 27,4 | 28,4            | 29,7 | 31,1 | 32,3 | 26,6 | 27,2 | 28,2 | 29,4 | 30,8            | 32,2 | 26,4 | 27,1 | 28,0 | 29,2 | 30,6 | 31,9 |                 |  |  |  |    |  |  |  |
| TUBS28          | 32,8            | 33,3 | 34   | 34   | 34   | 34   | 32,5            | 33,0 | 34,0 | 34,0 | 34,0 | 34,0 | 32,3 | 32,8 | 33,7            | 34,0 | 34,0 | 34,0 | 32,0 | 32,6 | 33,5 | 34,0 | 34,0            | 34,0 | 31,7 | 32,4 | 33,4 | 34,0 | 34,0 | 34,0 |                 |  |  |  |    |  |  |  |
| 60              | Slope $\beta_s$ |      | 25   |      |      |      | Slope $\beta_s$ |      |      |      | 30   |      |      |      | Slope $\beta_s$ |      |      |      | 35   |      |      |      | Slope $\beta_s$ |      |      |      | 40   |      |      |      | Slope $\beta_s$ |  |  |  | 45 |  |  |  |
| TUBS16          | 13,9            | 14,2 | 14,9 | 15,7 | 16,6 | 17,6 | 13,8            | 14,1 | 14,7 | 15,5 | 16,4 | 17,3 | 13,7 | 13,9 | 14,5            | 15,3 | 16,1 | 17,0 | 13,6 | 13,8 | 14,4 | 15,1 | 15,9            | 16,8 | 13,4 | 13,7 | 14,2 | 14,9 | 15,7 | 16,5 |                 |  |  |  |    |  |  |  |
| TUBS20          | 19,7            | 20,1 | 20,9 | 21,9 | 23   | 23,7 | 19,5            | 19,9 | 20,7 | 21,7 | 22,7 | 23,7 | 19,4 | 19,7 | 20,4            | 21,4 | 22,4 | 23,4 | 19,2 | 19,5 | 20,2 | 21,2 | 22,2            | 23,1 | 19,0 | 19,4 | 20,1 | 21,0 | 22,0 | 22,9 |                 |  |  |  |    |  |  |  |
| TUBS24          | 27,6            | 28,2 | 29,3 | 30,6 | 32   | 32,3 | 27,4            | 27,9 | 29,0 | 30,3 | 31,6 | 32,3 | 27,2 | 27,7 | 28,7            | 30,0 | 31,3 | 32,3 | 26,9 | 27,5 | 28,4 | 29,7 | 31,0            | 32,2 | 26,7 | 27,3 | 28,3 | 29,5 | 30,8 | 32,0 |                 |  |  |  |    |  |  |  |
| TUBS28          | 32,9            | 33,4 | 34   | 34   | 34   | 34   | 32,7            | 33,1 | 34,0 | 34,0 | 34,0 | 34,0 | 32,5 | 32,9 | 33,8            | 34,0 | 34,0 | 34,0 | 32,2 | 32,8 | 33,6 | 34,0 | 34,0            | 34,0 | 32,0 | 32,6 | 33,5 | 34,0 | 34,0 | 34,0 |                 |  |  |  |    |  |  |  |
| 75              | Slope $\beta_s$ |      | 25   |      |      |      | Slope $\beta_s$ |      |      |      | 30   |      |      |      | Slope $\beta_s$ |      |      |      | 35   |      |      |      | Slope $\beta_s$ |      |      |      | 40   |      |      |      | Slope $\beta_s$ |  |  |  | 45 |  |  |  |
| TUBS16          | 14,2            | 14,5 | 15,2 | 16   | 16,9 | 17,9 | 14,1            | 14,3 | 14,9 | 15,7 | 16,6 | 17,6 | 13,9 | 14,2 | 14,8            | 15,5 | 16,4 | 17,3 | 13,8 | 14,1 | 14,6 | 15,3 | 16,2            | 17,0 | 13,6 | 14,0 | 14,5 | 15,2 | 16,0 | 16,8 |                 |  |  |  |    |  |  |  |
| TUBS20          | 19,9            | 20,3 | 21,2 | 22,2 | 23,2 | 23,7 | 19,8            | 20,1 | 20,9 | 21,9 | 22,9 | 23,7 | 19,6 | 20,0 | 20,7            | 21,7 | 22,6 | 23,5 | 19,4 | 19,8 | 20,5 | 21,4 | 22,4            | 23,3 | 19,2 | 19,7 | 20,4 | 21,2 | 22,2 | 23,1 |                 |  |  |  |    |  |  |  |
| TUBS24          | 28,1            | 28,6 | 29,7 | 30,9 | 32,1 | 32,3 | 27,9            | 28,3 | 29,3 | 30,6 | 31,8 | 32,3 | 27,6 | 28,1 | 29,1            | 30,3 | 31,5 | 32,3 | 27,3 | 27,9 | 28,9 | 30,1 | 31,3            | 32,3 | 27,1 | 27,8 | 28,7 | 29,8 | 31,1 | 32,1 |                 |  |  |  |    |  |  |  |
| TUBS28          | 33,1            | 33,5 | 34   | 34   | 34   | 34   | 33,0            | 33,4 | 34,0 | 34,0 | 34,0 | 34,0 | 32,8 | 33,2 | 33,9            | 34,0 | 34,0 | 34,0 | 32,5 | 33,0 | 33,7 | 34,0 | 34,0            | 34,0 | 32,3 | 32,9 | 33,6 | 34,0 | 34,0 | 34,0 |                 |  |  |  |    |  |  |  |
| 85              | Slope $\beta_s$ |      | 25   |      |      |      | Slope $\beta_s$ |      |      |      | 30   |      |      |      | Slope $\beta_s$ |      |      |      | 35   |      |      |      | Slope $\beta_s$ |      |      |      | 40   |      |      |      | Slope $\beta_s$ |  |  |  | 45 |  |  |  |
| TUBS16          | 14,4            | 14,7 | 15,4 | 16,2 | 17,2 | 18,1 | 14,3            | 14,6 | 15,2 | 16,0 | 16,9 | 17,8 | 14,2 | 14,4 | 15,0            | 15,8 | 16,6 | 17,6 | 14,0 | 14,3 | 14,9 | 15,6 | 16,4            | 17,3 | 13,9 | 14,2 | 14,7 | 15,4 | 16,2 | 17,1 |                 |  |  |  |    |  |  |  |
| TUBS20          | 20,2            | 20,6 | 21,4 | 22,4 | 23,3 | 23,7 | 20,0            | 20,4 | 21,2 | 22,1 | 23,1 | 23,7 | 19,9 | 20,2 | 21,0            | 21,9 | 22,8 | 23,6 | 19,7 | 20,1 | 20,8 | 21,7 | 22,6            | 23,4 | 19,5 | 19,9 | 20,6 | 21,5 | 22,4 | 23,3 |                 |  |  |  |    |  |  |  |
| TUBS24          | 28,4            | 28,9 | 30   | 31,2 | 32,2 | 32,3 | 28,2            | 28,7 | 29,7 | 30,9 | 32,0 | 32,3 | 28,0 | 28,5 | 29,4            | 30,6 | 31,7 | 32,3 | 27,7 | 28,3 | 29,2 | 30,4 | 31,5            | 32,3 | 27,5 | 28,2 | 29,1 | 30,2 | 31,3 | 32,2 |                 |  |  |  |    |  |  |  |
| TUBS28          | 33,4            | 33,7 | 34   | 34   | 34   | 34   | 33,2            | 33,5 | 34,0 | 34,0 | 34,0 | 34,0 | 33,0 | 33,4 | 33,9            | 34,0 | 34,0 | 34,0 | 32,7 | 33,2 | 33,8 | 34,0 | 34,0            | 34,0 | 32,5 | 33,1 | 33,8 | 34,0 | 34,0 | 34,0 |                 |  |  |  |    |  |  |  |

Characteristics values (in kN) of TUB and TUBS joist ties for connections between timber column and supported joist.

|   |                 |
|---|-----------------|
| Simpson Strong-Tie – Concealed Beam Hangers | <b>ANNEXE 5</b> |
| CHARACTERISTIC VALUES                       | ETA-07/0125     |

| Skew $\alpha_N$ | 60                | 80   | 100  | 120  | 140  | 160  | 60                | 80   | 100  | 120  | 140  | 160  | 60                 | 80   | 100  | 120  | 140  | 160  | 60                 | 80   | 100  | 120  | 140  | 160  | 60                 | 80   | 100  | 120  | 140  | 160  |
|-----------------|-------------------|------|------|------|------|------|-------------------|------|------|------|------|------|--------------------|------|------|------|------|------|--------------------|------|------|------|------|------|--------------------|------|------|------|------|------|
| 0               | Slope $\beta_s$ 0 |      |      |      |      |      | Slope $\beta_s$ 5 |      |      |      |      |      | Slope $\beta_s$ 10 |      |      |      |      |      | Slope $\beta_s$ 15 |      |      |      |      |      | Slope $\beta_s$ 20 |      |      |      |      |      |
| 34090           | 8,2               | 9,1  | 10,2 | 10,8 | 10,8 | 10,8 | 8,2               | 9,1  | 10,2 | 10,8 | 10,8 | 10,8 | 8,2                | 9,1  | 10,2 | 10,8 | 10,8 | 10,8 | 8,2                | 9,1  | 10,2 | 10,8 | 10,8 | 10,8 | 8,2                | 9,1  | 10,2 | 10,8 | 10,8 | 10,8 |
| 34120           | 14,3              | 15,0 | 16,1 | 17,3 | 18,7 | 20,0 | 14,1              | 14,8 | 15,8 | 17,0 | 18,4 | 19,8 | 13,9               | 14,5 | 15,5 | 16,7 | 18,0 | 19,4 | 13,8               | 14,3 | 15,2 | 16,4 | 17,6 | 18,9 | 13,6               | 14,1 | 14,9 | 16,0 | 17,2 | 18,5 |
| 34160           | 23,0              | 23,9 | 25,4 | 27,2 | 29,1 | 31,0 | 22,7              | 23,5 | 25,0 | 26,7 | 28,6 | 30,5 | 22,4               | 23,2 | 24,5 | 26,2 | 28,1 | 29,9 | 22,2               | 22,8 | 24,1 | 25,7 | 27,5 | 29,3 | 21,9               | 22,5 | 23,7 | 25,2 | 26,9 | 28,7 |
| 34200           | 32,7              | 33,9 | 35,9 | 38,2 | 40,5 | 42,3 | 32,3              | 33,4 | 35,3 | 37,6 | 39,9 | 41,9 | 31,9               | 32,9 | 34,7 | 36,9 | 39,2 | 41,3 | 31,5               | 32,5 | 34,2 | 36,3 | 38,5 | 40,7 | 31,2               | 32,0 | 33,6 | 35,7 | 37,8 | 40,0 |
| 34240           | 42,6              | 43,9 | 46,2 | 48,9 | 51,3 | 52,0 | 42,1              | 43,3 | 45,5 | 48,1 | 50,6 | 52,0 | 41,6               | 42,7 | 44,8 | 47,4 | 49,9 | 51,8 | 41,2               | 42,1 | 44,1 | 46,6 | 49,2 | 51,4 | 40,8               | 41,7 | 43,5 | 45,9 | 48,4 | 50,7 |
| 34409           | 10,6              | 11,6 | 12,7 | 13,4 | 13,4 | 13,4 | 10,6              | 11,6 | 12,7 | 13,4 | 13,4 | 13,4 | 10,6               | 11,6 | 12,7 | 13,4 | 13,4 | 13,4 | 10,6               | 11,6 | 12,7 | 13,4 | 13,4 | 13,4 | 10,6               | 11,6 | 12,7 | 13,4 | 13,4 | 13,4 |
| 34412           | 18,4              | 19,1 | 20,2 | 21,6 | 23,1 | 24,7 | 18,2              | 18,8 | 19,9 | 21,2 | 22,7 | 24,2 | 18,0               | 18,5 | 19,6 | 20,8 | 22,2 | 23,7 | 17,8               | 18,3 | 19,2 | 20,4 | 21,8 | 23,2 | 17,6               | 18,0 | 18,9 | 20,1 | 21,4 | 22,7 |
| 34416           | 30,1              | 31,0 | 32,6 | 34,7 | 37,0 | 39,5 | 29,8              | 30,5 | 32,1 | 34,1 | 36,3 | 38,7 | 29,5               | 30,1 | 31,6 | 33,5 | 35,6 | 37,9 | 29,2               | 29,8 | 31,1 | 32,9 | 35,0 | 37,2 | 29,0               | 29,5 | 30,7 | 32,4 | 34,4 | 36,5 |
| 34420           | 43,0              | 44,2 | 46,6 | 49,5 | 52,8 | 56,2 | 42,6              | 43,7 | 45,8 | 48,6 | 51,7 | 55,0 | 42,2               | 43,2 | 45,2 | 47,8 | 50,8 | 54,0 | 41,9               | 42,7 | 44,6 | 47,1 | 50,0 | 53,0 | 41,6               | 42,4 | 44,2 | 46,6 | 49,2 | 52,1 |
| 34424           | 56,0              | 57,3 | 60,2 | 63,9 | 68,1 | 72,5 | 55,5              | 56,6 | 59,3 | 62,9 | 66,9 | 71,1 | 54,7               | 56,1 | 58,6 | 62,0 | 65,8 | 69,8 | 54,0               | 55,7 | 58,1 | 61,2 | 64,8 | 68,7 | 53,6               | 55,4 | 57,7 | 60,7 | 64,1 | 67,8 |

| Skew $\alpha_N$ | 60                 | 80   | 100  | 120  | 140  | 160  | 60                 | 80   | 100  | 120  | 140  | 160  | 60                 | 80   | 100  | 120  | 140  | 160  | 60                 | 80   | 100  | 120  | 140  | 160  | 60                 | 80   | 100  | 120  | 140  | 160  |
|-----------------|--------------------|------|------|------|------|------|--------------------|------|------|------|------|------|--------------------|------|------|------|------|------|--------------------|------|------|------|------|------|--------------------|------|------|------|------|------|
| 0               | Slope $\beta_s$ 25 |      |      |      |      |      | Slope $\beta_s$ 30 |      |      |      |      |      | Slope $\beta_s$ 35 |      |      |      |      |      | Slope $\beta_s$ 40 |      |      |      |      |      | Slope $\beta_s$ 45 |      |      |      |      |      |
| 34090           | 8,2                | 9,1  | 10,2 | 10,8 | 10,8 | 10,8 | 8,2                | 9,1  | 10,2 | 10,8 | 10,8 | 10,8 | 8,2                | 9,1  | 10,2 | 10,8 | 10,8 | 10,8 | 8,2                | 9,1  | 10,2 | 10,8 | 10,8 | 10,8 | 8,2                | 9,1  | 10,2 | 10,8 | 10,8 | 10,8 |
| 34120           | 13,4               | 13,8 | 14,7 | 15,7 | 16,8 | 18,1 | 13,2               | 13,6 | 14,4 | 15,4 | 16,5 | 17,7 | 13,1               | 13,5 | 14,2 | 15,1 | 16,2 | 17,3 | 13,0               | 13,3 | 14,0 | 14,9 | 15,9 | 17,0 | 12,9               | 13,2 | 13,8 | 14,7 | 15,7 | 16,7 |
| 34160           | 21,6               | 22,2 | 23,3 | 24,8 | 26,4 | 28,1 | 21,4               | 21,9 | 23,0 | 24,4 | 26,0 | 27,6 | 21,2               | 21,7 | 22,7 | 24,0 | 25,6 | 27,2 | 20,9               | 21,5 | 22,4 | 23,7 | 25,2 | 26,8 | 20,7               | 21,3 | 22,3 | 23,5 | 24,9 | 26,4 |
| 34200           | 30,9               | 31,6 | 33,2 | 35,1 | 37,2 | 39,3 | 30,6               | 31,3 | 32,8 | 34,6 | 36,7 | 38,7 | 30,4               | 31,1 | 32,4 | 34,2 | 36,2 | 38,2 | 30,3               | 30,8 | 32,2 | 33,9 | 35,8 | 37,8 | 30,1               | 30,7 | 32,0 | 33,6 | 35,5 | 37,4 |
| 34240           | 40,5               | 41,2 | 43,0 | 45,3 | 47,8 | 50,1 | 39,9               | 40,9 | 42,6 | 44,8 | 47,2 | 49,5 | 39,5               | 40,6 | 42,2 | 44,4 | 46,7 | 49,0 | 39,2               | 40,4 | 42,0 | 44,0 | 46,3 | 48,6 | 39,0               | 40,3 | 41,8 | 43,8 | 46,0 | 48,2 |
| 34409           | 10,6               | 11,6 | 12,7 | 13,4 | 13,4 | 13,4 | 10,6               | 11,6 | 12,7 | 13,4 | 13,4 | 13,4 | 10,6               | 11,6 | 12,7 | 13,4 | 13,4 | 13,4 | 10,6               | 11,6 | 12,7 | 13,4 | 13,4 | 13,4 | 10,6               | 11,6 | 12,7 | 13,4 | 13,4 | 13,4 |
| 34412           | 17,4               | 17,8 | 18,7 | 19,7 | 21,0 | 22,3 | 17,3               | 17,7 | 18,4 | 19,5 | 20,6 | 21,9 | 17,2               | 17,5 | 18,2 | 19,2 | 20,3 | 21,5 | 17,1               | 17,4 | 18,1 | 19,0 | 20,1 | 21,3 | 17,0               | 17,3 | 18,0 | 18,9 | 19,9 | 21,0 |
| 34416           | 28,6               | 29,2 | 30,4 | 32,0 | 33,9 | 35,9 | 28,3               | 29,0 | 30,1 | 31,7 | 33,4 | 35,3 | 28,1               | 28,9 | 29,9 | 31,4 | 33,1 | 34,9 | 27,9               | 28,8 | 29,8 | 31,2 | 32,8 | 34,6 | 27,9               | 28,7 | 29,7 | 31,1 | 32,7 | 34,4 |
| 34420           | 41,4               | 42,2 | 43,8 | 46,1 | 48,7 | 51,4 | 41,3               | 42,0 | 43,6 | 45,7 | 48,2 | 50,8 | 41,2               | 41,9 | 43,4 | 45,5 | 47,9 | 50,4 | 41,2               | 41,9 | 43,4 | 45,4 | 47,7 | 50,1 | 41,3               | 41,9 | 43,4 | 45,4 | 47,6 | 50,0 |
| 34424           | 53,4               | 55,3 | 57,4 | 60,2 | 63,5 | 67,0 | 53,4               | 55,2 | 57,2 | 60,0 | 63,1 | 66,5 | 53,5               | 55,2 | 57,2 | 59,9 | 62,9 | 66,2 | 53,8               | 55,4 | 57,3 | 59,9 | 62,9 | 66,0 | 54,2               | 55,6 | 57,5 | 60,0 | 62,9 | 66,0 |

Characteristic values (in kN) of 2 ROWS and 4 ROWS joist ties for connections between timber header beam and supported joist.

|   |                 |
|---|-----------------|
| Simpson Strong-Tie – Concealed Beam Hangers | <b>ANNEXE 5</b> |
| CHARACTERISTIC VALUES                       | ETA-07/0125     |

| SKEW $\alpha_N$ | 60                | 80   | 100  | 120  | 140  | 160  | 60                | 80   | 100  | 120  | 140  | 160  | 60                 | 80   | 100  | 120  | 140  | 160  | 60                 | 80   | 100  | 120  | 140  | 160  | 60                 | 80   | 100  | 120  | 140  | 160  |
|-----------------|-------------------|------|------|------|------|------|-------------------|------|------|------|------|------|--------------------|------|------|------|------|------|--------------------|------|------|------|------|------|--------------------|------|------|------|------|------|
| 0               | SLOPE $\beta_s$ 0 |      |      |      |      |      | SLOPE $\beta_s$ 5 |      |      |      |      |      | SLOPE $\beta_s$ 10 |      |      |      |      |      | SLOPE $\beta_s$ 15 |      |      |      |      |      | SLOPE $\beta_s$ 20 |      |      |      |      |      |
| 34090           | 7,3               | 8,0  | 8,9  | 9,3  | 9,3  | 9,3  | 7,3               | 8,0  | 8,9  | 9,3  | 9,3  | 9,3  | 7,3                | 8,0  | 8,9  | 9,3  | 9,3  | 9,3  | 7,3                | 8,0  | 8,9  | 9,3  | 9,3  | 9,3  | 7,3                | 8,0  | 8,9  | 9,3  | 9,3  | 9,3  |
| 34120           | 12,6              | 13,2 | 13,9 | 14,2 | 14,2 | 14,2 | 12,5              | 13,0 | 13,8 | 14,2 | 14,2 | 14,2 | 12,3               | 12,8 | 13,6 | 14,2 | 14,2 | 14,2 | 12,2               | 12,6 | 13,4 | 14,1 | 14,2 | 14,2 | 12,0               | 12,4 | 13,2 | 14,0 | 14,2 | 14,2 |
| 34160           | 18,8              | 18,9 | 18,9 | 18,9 | 18,9 | 18,9 | 18,7              | 18,9 | 18,9 | 18,9 | 18,9 | 18,9 | 18,5               | 18,9 | 18,9 | 18,9 | 18,9 | 18,9 | 18,4               | 18,8 | 18,9 | 18,9 | 18,9 | 18,9 | 18,2               | 18,6 | 18,9 | 18,9 | 18,9 | 18,9 |
| 34200           | 23,6              | 23,6 | 23,6 | 23,6 | 23,6 | 23,6 | 23,6              | 23,6 | 23,6 | 23,6 | 23,6 | 23,6 | 23,6               | 23,6 | 23,6 | 23,6 | 23,6 | 23,6 | 23,6               | 23,6 | 23,6 | 23,6 | 23,6 | 23,6 | 23,6               | 23,6 | 23,6 | 23,6 | 23,6 | 23,6 |
| 34240           | 28,4              | 28,4 | 28,4 | 28,4 | 28,4 | 28,4 | 28,4              | 28,4 | 28,4 | 28,4 | 28,4 | 28,4 | 28,4               | 28,4 | 28,4 | 28,4 | 28,4 | 28,4 | 28,4               | 28,4 | 28,4 | 28,4 | 28,4 | 28,4 | 28,4               | 28,4 | 28,4 | 28,4 | 28,4 | 28,4 |
| 34409           | 11,0              | 11,9 | 13,1 | 13,8 | 13,8 | 13,8 | 11,0              | 11,9 | 13,1 | 13,8 | 13,8 | 13,8 | 11,0               | 11,9 | 13,1 | 13,8 | 13,8 | 13,8 | 11,0               | 11,9 | 13,1 | 13,8 | 13,8 | 13,8 | 11,0               | 11,9 | 13,1 | 13,8 | 13,8 | 13,8 |
| 34412           | 15,9              | 16,5 | 17,6 | 19,0 | 20,4 | 21,8 | 15,7              | 16,3 | 17,4 | 18,6 | 20,0 | 21,5 | 15,5               | 16,1 | 17,1 | 18,3 | 19,6 | 21,1 | 15,3               | 15,8 | 16,7 | 17,9 | 19,2 | 20,6 | 15,1               | 15,6 | 16,4 | 17,6 | 18,8 | 20,1 |
| 34416           | 25,0              | 26,0 | 27,6 | 29,5 | 31,6 | 33,6 | 24,7              | 25,6 | 27,1 | 29,0 | 31,0 | 33,0 | 24,4               | 25,2 | 26,6 | 28,4 | 30,4 | 32,4 | 24,1               | 24,8 | 26,2 | 27,9 | 29,8 | 31,7 | 23,8               | 24,5 | 25,8 | 27,4 | 29,2 | 31,1 |
| 34420           | 35,0              | 36,2 | 38,3 | 40,7 | 43,3 | 45,6 | 34,6              | 35,7 | 37,6 | 40,0 | 42,5 | 44,9 | 34,2               | 35,2 | 37,0 | 39,3 | 41,8 | 44,1 | 33,8               | 34,7 | 36,4 | 38,6 | 41,0 | 43,4 | 33,5               | 34,3 | 35,9 | 38,0 | 40,3 | 42,6 |
| 34424           | 45,4              | 46,8 | 49,3 | 52,2 | 54,9 | 56,7 | 44,9              | 46,2 | 48,5 | 51,3 | 54,1 | 56,3 | 44,4               | 45,6 | 47,8 | 50,5 | 53,3 | 55,7 | 43,9               | 45,0 | 47,1 | 49,7 | 52,5 | 55,0 | 43,6               | 44,5 | 46,5 | 49,0 | 51,7 | 54,3 |

| SKEW $\alpha_N$ | 60                 | 80   | 100  | 120  | 140  | 160  | 60                 | 80   | 100  | 120  | 140  | 160  | 60                 | 80   | 100  | 120  | 140  | 160  | 60                 | 80   | 100  | 120  | 140  | 160  | 60                 | 80   | 100  | 120  | 140  | 160  |
|-----------------|--------------------|------|------|------|------|------|--------------------|------|------|------|------|------|--------------------|------|------|------|------|------|--------------------|------|------|------|------|------|--------------------|------|------|------|------|------|
| 0               | SLOPE $\beta_s$ 25 |      |      |      |      |      | SLOPE $\beta_s$ 30 |      |      |      |      |      | SLOPE $\beta_s$ 35 |      |      |      |      |      | SLOPE $\beta_s$ 40 |      |      |      |      |      | SLOPE $\beta_s$ 45 |      |      |      |      |      |
| 34090           | 7,3                | 8,0  | 8,9  | 9,3  | 9,3  | 9,3  | 7,3                | 8,0  | 8,9  | 9,3  | 9,3  | 9,3  | 7,3                | 8,0  | 8,9  | 9,3  | 9,3  | 9,3  | 7,3                | 8,0  | 8,9  | 9,3  | 9,3  | 9,3  | 7,3                | 8,0  | 8,9  | 9,3  | 9,3  | 9,3  |
| 34120           | 11,9               | 12,3 | 13,0 | 13,8 | 14,2 | 14,2 | 11,7               | 12,1 | 12,7 | 13,5 | 14,2 | 14,2 | 11,6               | 11,9 | 12,5 | 13,3 | 14,0 | 14,2 | 11,4               | 11,8 | 12,4 | 13,1 | 13,9 | 14,2 | 11,3               | 11,6 | 12,2 | 12,9 | 13,7 | 14,2 |
| 34160           | 18,0               | 18,4 | 18,9 | 18,9 | 18,9 | 18,9 | 17,8               | 18,2 | 18,8 | 18,9 | 18,9 | 18,9 | 17,7               | 18,1 | 18,7 | 18,9 | 18,9 | 18,9 | 17,5               | 17,9 | 18,6 | 18,9 | 18,9 | 18,9 | 17,4               | 17,8 | 18,4 | 18,9 | 18,9 | 18,9 |
| 34200           | 23,6               | 23,6 | 23,6 | 23,6 | 23,6 | 23,6 | 23,6               | 23,6 | 23,6 | 23,6 | 23,6 | 23,6 | 23,6               | 23,6 | 23,6 | 23,6 | 23,6 | 23,6 | 23,5               | 23,6 | 23,6 | 23,6 | 23,6 | 23,6 | 23,4               | 23,6 | 23,6 | 23,6 | 23,6 | 23,6 |
| 34240           | 28,4               | 28,4 | 28,4 | 28,4 | 28,4 | 28,4 | 28,4               | 28,4 | 28,4 | 28,4 | 28,4 | 28,4 | 28,4               | 28,4 | 28,4 | 28,4 | 28,4 | 28,4 | 28,4               | 28,4 | 28,4 | 28,4 | 28,4 | 28,4 | 28,4               | 28,4 | 28,4 | 28,4 | 28,4 | 28,4 |
| 34409           | 11,0               | 11,9 | 13,1 | 13,8 | 13,8 | 13,8 | 11,0               | 11,9 | 13,1 | 13,8 | 13,8 | 13,8 | 11,0               | 11,9 | 13,1 | 13,8 | 13,8 | 13,8 | 11,0               | 11,9 | 13,1 | 13,8 | 13,8 | 13,8 | 11,0               | 11,9 | 13,1 | 13,8 | 13,8 | 13,8 |
| 34412           | 14,9               | 15,3 | 16,2 | 17,2 | 18,4 | 19,7 | 14,8               | 15,1 | 15,9 | 16,9 | 18,1 | 19,3 | 14,6               | 15,0 | 15,7 | 16,7 | 17,8 | 18,9 | 14,5               | 14,8 | 15,5 | 16,4 | 17,5 | 18,6 | 14,4               | 14,7 | 15,4 | 16,3 | 17,3 | 18,4 |
| 34416           | 23,6               | 24,2 | 25,4 | 26,9 | 28,6 | 30,5 | 23,4               | 23,9 | 25,1 | 26,5 | 28,2 | 29,9 | 23,2               | 23,7 | 24,8 | 26,2 | 27,8 | 29,5 | 23,1               | 23,5 | 24,6 | 25,9 | 27,4 | 29,1 | 23,0               | 23,4 | 24,4 | 25,7 | 27,2 | 28,8 |
| 34420           | 33,2               | 33,9 | 35,5 | 37,5 | 39,7 | 41,9 | 32,9               | 33,6 | 35,1 | 37,0 | 39,1 | 41,3 | 32,7               | 33,4 | 34,8 | 36,6 | 38,7 | 40,8 | 32,6               | 33,2 | 34,5 | 36,3 | 38,3 | 40,4 | 32,5               | 33,1 | 34,4 | 36,1 | 38,0 | 40,0 |
| 34424           | 43,2               | 44,1 | 46,0 | 48,4 | 51,0 | 53,6 | 43,0               | 43,8 | 45,6 | 47,9 | 50,4 | 52,9 | 42,8               | 43,6 | 45,3 | 47,5 | 49,9 | 52,4 | 42,7               | 43,4 | 45,1 | 47,2 | 49,6 | 52,0 | 42,6               | 43,3 | 44,9 | 47,0 | 49,3 | 51,7 |

Characteristic values (in kN) of 2 ROWS and 4 ROWS joist ties for connections between timber column and supported joist.

|   |                 |
|---|-----------------|
| Simpson Strong-Tie – Concealed Beam Hangers | <b>ANNEXE 5</b> |
| CHARACTERISTIC VALUES                       | ETA-07/0125     |

| SKEW $\alpha_N$ | 60                | 80   | 100  | 120  | 140  | 160  | 60                | 80   | 100  | 120  | 140  | 160  | 60                 | 80   | 100  | 120  | 140  | 160  | 60                 | 80   | 100  | 120  | 140  | 160  | 60                 | 80   | 100  | 120  | 140  | 160  |
|-----------------|-------------------|------|------|------|------|------|-------------------|------|------|------|------|------|--------------------|------|------|------|------|------|--------------------|------|------|------|------|------|--------------------|------|------|------|------|------|
| 0               | SLOPE $\beta_s$ 0 |      |      |      |      |      | SLOPE $\beta_s$ 5 |      |      |      |      |      | SLOPE $\beta_s$ 10 |      |      |      |      |      | SLOPE $\beta_s$ 15 |      |      |      |      |      | SLOPE $\beta_s$ 20 |      |      |      |      |      |
| 34509           | 10,3              | 11,3 | 12,4 | 13,2 | 13,2 | 13,2 | 10,3              | 11,3 | 12,4 | 13,2 | 13,2 | 13,2 | 10,3               | 11,3 | 12,4 | 13,2 | 13,2 | 13,2 | 10,3               | 11,3 | 12,4 | 13,2 | 13,2 | 13,2 | 10,3               | 11,3 | 12,4 | 13,2 | 13,2 | 13,2 |
| 34512           | 18,1              | 18,7 | 19,8 | 21,2 | 22,7 | 24,3 | 17,9              | 18,5 | 19,5 | 20,8 | 22,3 | 23,9 | 17,7               | 18,2 | 19,2 | 20,4 | 21,9 | 23,4 | 17,5               | 18   | 18,9 | 20,1 | 21,4 | 22,9 | 17,3               | 17,7 | 18,6 | 19,7 | 21   | 22,4 |
| 34516           | 29,8              | 30,7 | 32,3 | 34,4 | 36,8 | 39,3 | 29,5              | 30,3 | 31,8 | 33,8 | 36,1 | 38,5 | 29,2               | 29,9 | 31,3 | 33,2 | 35,4 | 37,7 | 28,9               | 29,5 | 30,9 | 32,7 | 34,7 | 36,9 | 28,7               | 29,2 | 30,5 | 32,2 | 34,1 | 36,2 |
| 34520           | 42,7              | 43,8 | 46   | 48,9 | 52,2 | 55,6 | 42,3              | 43,2 | 45,3 | 48,1 | 51,2 | 54,5 | 41,9               | 42,7 | 44,7 | 47,3 | 50,2 | 53,4 | 41,5               | 42,3 | 44,1 | 46,6 | 49,4 | 52,4 | 40,9               | 42   | 43,7 | 46   | 48,7 | 51,6 |
| 34524           | 56                | 57,3 | 60,2 | 63,9 | 68,2 | 72,6 | 55,5              | 56,6 | 59,3 | 62,9 | 66,9 | 71,2 | 54,6               | 56,1 | 58,6 | 62   | 65,8 | 69,9 | 54                 | 55,7 | 58,1 | 61,2 | 64,9 | 68,8 | 53,6               | 55,4 | 57,6 | 60,7 | 64,1 | 67,8 |
| 34503           | 69,8              | 72,4 | 76,2 | 81,1 | 86,6 | 92,4 | 69,1              | 71,9 | 75,4 | 80   | 85,2 | 90,7 | 68,7               | 71,6 | 74,8 | 79,2 | 84,1 | 89,3 | 68,6               | 71,4 | 74,5 | 78,6 | 83,3 | 88,2 | 68,7               | 71,4 | 74,3 | 78,3 | 82,7 | 87,4 |

| SKEW $\alpha_N$ | 60                 | 80   | 100  | 120  | 140  | 160  | 60                 | 80   | 100  | 120  | 140  | 160  | 60                 | 80   | 100  | 120  | 140  | 160  | 60                 | 80    | 100   | 120   | 140   | 160   | 60                 | 80   | 100  | 120  | 140  | 160  |
|-----------------|--------------------|------|------|------|------|------|--------------------|------|------|------|------|------|--------------------|------|------|------|------|------|--------------------|-------|-------|-------|-------|-------|--------------------|------|------|------|------|------|
| 0               | SLOPE $\beta_s$ 25 |      |      |      |      |      | SLOPE $\beta_s$ 30 |      |      |      |      |      | SLOPE $\beta_s$ 35 |      |      |      |      |      | SLOPE $\beta_s$ 40 |       |       |       |       |       | SLOPE $\beta_s$ 45 |      |      |      |      |      |
| 34509           | 10,3               | 11,3 | 12,4 | 13,2 | 13,2 | 13,2 | 10,3               | 11,3 | 12,4 | 13,2 | 13,2 | 13,2 | 10,3               | 11,3 | 12,4 | 13,2 | 13,2 | 13,2 | 10,34              | 11,26 | 12,38 | 13,15 | 13,15 | 13,15 | 10,3               | 11,3 | 12,4 | 13,2 | 13,2 | 13,2 |
| 34512           | 17,2               | 17,5 | 18,3 | 19,4 | 20,6 | 21,9 | 17                 | 17,3 | 18,1 | 19,1 | 20,3 | 21,5 | 16,8               | 17,2 | 17,9 | 18,9 | 20   | 21,2 | 16,63              | 17,06 | 17,73 | 18,65 | 19,72 | 20,89 | 16,5               | 17   | 17,6 | 18,5 | 19,5 | 20,7 |
| 34516           | 28,3               | 28,9 | 30,1 | 31,7 | 33,6 | 35,6 | 28                 | 28,7 | 29,9 | 31,4 | 33,2 | 35,1 | 27,8               | 28,6 | 29,6 | 31,1 | 32,8 | 34,6 | 27,62              | 28,47 | 29,5  | 30,91 | 32,55 | 34,32 | 27,5               | 28,4 | 29,4 | 30,8 | 32,4 | 34,1 |
| 34520           | 40,5               | 41,7 | 43,3 | 45,5 | 48,1 | 50,8 | 40,3               | 41,5 | 43,1 | 45,2 | 47,6 | 50,3 | 40,1               | 41,4 | 42,9 | 45   | 47,3 | 49,9 | 40,15              | 41,42 | 42,87 | 44,85 | 47,12 | 49,58 | 40,3               | 41,5 | 42,9 | 44,8 | 47   | 49,4 |
| 34524           | 53,4               | 55,2 | 57,4 | 60,3 | 63,6 | 67,1 | 53,4               | 55,2 | 57,2 | 60   | 63,2 | 66,6 | 53,5               | 55,2 | 57,2 | 59,9 | 62,9 | 66,2 | 53,75              | 55,32 | 57,29 | 59,9  | 62,88 | 66,07 | 54,1               | 55,5 | 57,5 | 60   | 63   | 66,1 |
| 34503           | 69,1               | 71,5 | 74,4 | 78,1 | 82,4 | 86,9 | 69,6               | 71,7 | 74,5 | 78,2 | 82,3 | 86,6 | 70,2               | 72,1 | 74,8 | 78,4 | 82,3 | 86,5 | 70,99              | 72,51 | 75,25 | 78,73 | 82,59 | 86,65 | 71,8               | 73   | 75,8 | 79,2 | 83   | 87   |

Characteristic values (in kN) of ALU joist ties for connections between timber header beam and supported joist.

|   |                 |
|---|-----------------|
| Simpson Strong-Tie – Concealed Beam Hangers | <b>ANNEXE 5</b> |
| CHARACTERISTIC VALUES                       | ETA-07/0125     |

| SKEW $\alpha_N$ | 60                |      |      |      |      |      | 80                |      |      |      |      |      | 100                |      |      |      |      |      | 120                |      |      |      |      |      | 140                |      |      |      |      |      | 160  |      |      |      |      |      |
|-----------------|-------------------|------|------|------|------|------|-------------------|------|------|------|------|------|--------------------|------|------|------|------|------|--------------------|------|------|------|------|------|--------------------|------|------|------|------|------|------|------|------|------|------|------|
|                 | 60                | 80   | 100  | 120  | 140  | 160  | 60                | 80   | 100  | 120  | 140  | 160  | 60                 | 80   | 100  | 120  | 140  | 160  | 60                 | 80   | 100  | 120  | 140  | 160  | 60                 | 80   | 100  | 120  | 140  | 160  | 60   | 80   | 100  | 120  | 140  | 160  |
| 0               | SLOPE $\beta_s$ 0 |      |      |      |      |      | SLOPE $\beta_s$ 5 |      |      |      |      |      | SLOPE $\beta_s$ 10 |      |      |      |      |      | SLOPE $\beta_s$ 15 |      |      |      |      |      | SLOPE $\beta_s$ 20 |      |      |      |      |      |      |      |      |      |      |      |
| 34509           | 8,78              | 9,64 | 10,7 | 11,4 | 11,4 | 11,4 | 8,78              | 9,64 | 10,7 | 11,4 | 11,4 | 11,4 | 8,78               | 9,64 | 10,7 | 11,4 | 11,4 | 11,4 | 8,78               | 9,64 | 10,7 | 11,4 | 11,4 | 11,4 | 8,78               | 9,64 | 10,7 | 11,4 | 11,4 | 11,4 | 8,78 | 9,64 | 10,7 | 11,4 | 11,4 | 11,4 |
| 34512           | 15,3              | 15,9 | 17   | 18,3 | 19,7 | 21,2 | 15,1              | 15,7 | 16,7 | 18   | 19,3 | 20,8 | 14,9               | 15,5 | 16,4 | 17,6 | 18,9 | 20,3 | 14,7               | 15,2 | 16,1 | 17,3 | 18,5 | 19,9 | 14,6               | 15   | 15,8 | 16,9 | 18,1 | 19,4 | 14,6 | 15   | 15,8 | 16,9 | 18,1 | 19,4 |
| 34516           | 24,3              | 25,2 | 26,7 | 28,6 | 30,7 | 32,7 | 24                | 24,8 | 26,3 | 28,1 | 30,1 | 32,1 | 23,7               | 24,4 | 25,8 | 27,6 | 29,5 | 31,5 | 23,4               | 24,1 | 25,4 | 27   | 28,9 | 30,8 | 23,2               | 23,8 | 25   | 26,6 | 28,3 | 30,2 | 23,2 | 23,8 | 25   | 26,6 | 28,3 | 30,2 |
| 34520           | 34,2              | 35,3 | 37,3 | 39,7 | 42,3 | 44,8 | 33,8              | 34,8 | 36,7 | 39   | 41,6 | 44   | 33,4               | 34,3 | 36,1 | 38,3 | 40,8 | 43,2 | 33                 | 33,8 | 35,5 | 37,7 | 40   | 42,4 | 32,7               | 33,4 | 35   | 37   | 39,3 | 41,7 | 32,7 | 33,4 | 35   | 37   | 39,3 | 41,7 |
| 34524           | 44,5              | 45,8 | 48,3 | 51,1 | 54   | 56,3 | 44                | 45,2 | 47,5 | 50,3 | 53,2 | 55,7 | 43,5               | 44,6 | 46,8 | 49,5 | 52,3 | 55   | 43,1               | 44,1 | 46,1 | 48,7 | 51,5 | 54,2 | 42,7               | 43,6 | 45,5 | 48   | 50,7 | 53,4 | 42,7 | 43,6 | 45,5 | 48   | 50,7 | 53,4 |
| 34503           | 55,7              | 57,1 | 59,8 | 62,8 | 65,5 | 66,2 | 55,2              | 56,4 | 59   | 62   | 64,8 | 66,2 | 54,6               | 55,8 | 58,2 | 61,1 | 64   | 66   | 54,2               | 55,2 | 57,5 | 60,3 | 63,2 | 65,6 | 53,7               | 54,7 | 56,8 | 59,6 | 62,4 | 64,9 | 53,7 | 54,7 | 56,8 | 59,6 | 62,4 | 64,9 |

| SKEW $\alpha_N$ | 60                 |      |      |      |      |      | 80                 |      |      |      |      |      | 100                |      |      |      |      |      | 120                |       |       |       |       |       | 140                |      |      |      |      |      | 160  |      |      |      |      |      |
|-----------------|--------------------|------|------|------|------|------|--------------------|------|------|------|------|------|--------------------|------|------|------|------|------|--------------------|-------|-------|-------|-------|-------|--------------------|------|------|------|------|------|------|------|------|------|------|------|
|                 | 60                 | 80   | 100  | 120  | 140  | 160  | 60                 | 80   | 100  | 120  | 140  | 160  | 60                 | 80   | 100  | 120  | 140  | 160  | 60                 | 80    | 100   | 120   | 140   | 160   | 60                 | 80   | 100  | 120  | 140  | 160  | 60   | 80   | 100  | 120  | 140  | 160  |
| 0               | SLOPE $\beta_s$ 25 |      |      |      |      |      | SLOPE $\beta_s$ 30 |      |      |      |      |      | SLOPE $\beta_s$ 35 |      |      |      |      |      | SLOPE $\beta_s$ 40 |       |       |       |       |       | SLOPE $\beta_s$ 45 |      |      |      |      |      |      |      |      |      |      |      |
| 34509           | 8,78               | 9,64 | 10,7 | 11,4 | 11,4 | 11,4 | 8,78               | 9,64 | 10,7 | 11,4 | 11,4 | 11,4 | 8,78               | 9,64 | 10,7 | 11,4 | 11,4 | 11,4 | 8,777              | 9,639 | 10,68 | 11,39 | 11,39 | 11,39 | 8,78               | 9,64 | 10,7 | 11,4 | 11,4 | 11,4 | 8,78 | 9,64 | 10,7 | 11,4 | 11,4 | 11,4 |
| 34512           | 14,4               | 14,8 | 15,6 | 16,6 | 17,8 | 19   | 14,2               | 14,6 | 15,3 | 16,3 | 17,4 | 18,6 | 14,1               | 14,4 | 15,1 | 16   | 17,1 | 18,2 | 13,95              | 14,26 | 14,92 | 15,81 | 16,84 | 17,94 | 13,8               | 14,1 | 14,8 | 15,6 | 16,6 | 17,7 | 13,8 | 14,1 | 14,8 | 15,6 | 16,6 | 17,7 |
| 34516           | 22,9               | 23,5 | 24,6 | 26,1 | 27,8 | 29,6 | 22,7               | 23,2 | 24,3 | 25,7 | 27,3 | 29,1 | 22,5               | 23   | 24   | 25,4 | 26,9 | 28,6 | 22,18              | 22,8  | 23,77 | 25,08 | 26,59 | 28,2  | 22                 | 22,7 | 23,6 | 24,9 | 26,3 | 27,9 | 22   | 22,7 | 23,6 | 24,9 | 26,3 | 27,9 |
| 34520           | 32,4               | 33   | 34,5 | 36,5 | 38,7 | 41   | 32                 | 32,7 | 34,1 | 36   | 38,1 | 40,3 | 31,6               | 32,5 | 33,8 | 35,6 | 37,7 | 39,8 | 31,34              | 32,31 | 33,6  | 35,33 | 37,29 | 39,37 | 31,2               | 32,2 | 33,4 | 35,1 | 37   | 39   | 31,2 | 32,2 | 33,4 | 35,1 | 37   | 39   |
| 34524           | 42,3               | 43,2 | 45   | 47,4 | 50   | 52,6 | 41,7               | 42,8 | 44,6 | 46,9 | 49,4 | 52   | 41,4               | 42,6 | 44,2 | 46,4 | 48,9 | 51,4 | 41,1               | 42,43 | 44,02 | 46,14 | 48,52 | 50,96 | 41                 | 42,3 | 43,9 | 45,9 | 48,3 | 50,6 | 41   | 42,3 | 43,9 | 45,9 | 48,3 | 50,6 |
| 34503           | 53                 | 54,3 | 56,3 | 59   | 61,8 | 64,3 | 52,5               | 54   | 55,9 | 58,5 | 61,2 | 63,7 | 52,2               | 53,8 | 55,7 | 58,1 | 60,7 | 63,3 | 52,07              | 53,67 | 55,48 | 57,84 | 60,41 | 62,9  | 52,1               | 53,6 | 55,4 | 57,7 | 60,2 | 62,6 | 52,1 | 53,6 | 55,4 | 57,7 | 60,2 | 62,6 |

Characteristic values (in kN) of ALU joist ties for connections between timber column and supported joist.

|   |                 |
|---|-----------------|
| Simpson Strong-Tie – Concealed Beam Hangers | <b>ANNEXE 5</b> |
| CHARACTERISTIC VALUES                       | ETA-07/0125     |

| Widths | 60   | 80   | 100  | 120  | 140  | 160  | 60   | 80   | 100  | 120  | 140  | 160  | 60   | 80   | 100  | 120  | 140  | 160  | 60   | 80   | 100  | 120  | 140  | 160  | 60   | 80   | 100  | 120  | 140  | 160  |
|--------|------|------|------|------|------|------|------|------|------|------|------|------|------|------|------|------|------|------|------|------|------|------|------|------|------|------|------|------|------|------|
| Slope  | 0    |      |      |      |      |      | 5    |      |      |      |      |      | 10   |      |      |      |      |      | 15   |      |      |      |      |      | 20   |      |      |      |      |      |
| CBH150 | 18,0 | 18,6 | 20,7 | 22,4 | 24,0 | 24,0 | 17,8 | 18,4 | 20,3 | 22,0 | 23,8 | 23,8 | 17,5 | 18,1 | 20,0 | 21,6 | 23,4 | 23,5 | 17,3 | 17,9 | 19,6 | 21,2 | 22,9 | 23,3 | 17,1 | 17,6 | 19,3 | 20,8 | 22,4 | 3,0  |
| CBH180 | 25,0 | 26,4 | 29,5 | 32,1 | 32,6 | 32,6 | 24,7 | 26,1 | 29,1 | 31,6 | 32,4 | 32,4 | 24,3 | 25,6 | 28,5 | 31,0 | 32,1 | 32,1 | 24,0 | 25,2 | 28,0 | 30,5 | 31,8 | 31,8 | 23,6 | 24,8 | 27,5 | 29,9 | 31,4 | 31,4 |
| CBH220 | 32,6 | 34,2 | 37,9 | 41,1 | 42,8 | 42,8 | 32,2 | 33,7 | 37,3 | 40,4 | 42,4 | 42,4 | 31,8 | 33,2 | 36,6 | 39,7 | 42,0 | 42,0 | 31,4 | 32,7 | 35,9 | 38,9 | 41,6 | 41,6 | 31,0 | 32,3 | 35,3 | 38,2 | 41,1 | 41,1 |

| Widths | 60   | 80   | 100  | 120  | 140  | 160  | 60   | 80   | 100  | 120  | 140  | 160  | 60   | 80   | 100  | 120  | 140  | 160  | 60   | 80   | 100  | 120  | 140  | 160  | 60   | 80   | 100  | 120  | 140  | 160  |
|--------|------|------|------|------|------|------|------|------|------|------|------|------|------|------|------|------|------|------|------|------|------|------|------|------|------|------|------|------|------|------|
| Slope  | 25   |      |      |      |      |      | 30   |      |      |      |      |      | 35   |      |      |      |      |      | 40   |      |      |      |      |      | 45   |      |      |      |      |      |
| CBH150 | 16,9 | 17,4 | 19,0 | 20,4 | 22,0 | 22,7 | 16,7 | 17,2 | 18,7 | 20,1 | 21,6 | 22,5 | 16,6 | 17,0 | 18,4 | 19,8 | 21,2 | 22,3 | 16,5 | 16,8 | 18,2 | 19,5 | 20,9 | 22,1 | 16,3 | 16,7 | 18,0 | 19,3 | 20,6 | 21,9 |
| CBH180 | 23,4 | 24,5 | 27,0 | 29,3 | 31,1 | 31,1 | 23,1 | 24,1 | 26,6 | 28,8 | 30,8 | 30,8 | 22,8 | 23,8 | 26,2 | 28,4 | 30,5 | 30,5 | 22,7 | 23,6 | 25,9 | 28,0 | 30,1 | 30,3 | 22,5 | 23,4 | 25,6 | 27,6 | 29,7 | 30,1 |
| CBH220 | 30,7 | 31,8 | 34,8 | 37,5 | 40,4 | 40,7 | 30,4 | 31,5 | 34,3 | 37,0 | 39,7 | 40,4 | 30,1 | 31,2 | 33,9 | 36,5 | 39,1 | 40,0 | 30,0 | 31,0 | 33,6 | 36,1 | 38,7 | 39,8 | 29,8 | 30,8 | 33,3 | 35,7 | 38,3 | 39,5 |

**Characteristic values (in kN) of CBH concealed beam hangers for connections between timber header beam and supported joist.**

|   |                 |
|---|-----------------|
| Simpson Strong-Tie – Concealed Beam Hangers | <b>ANNEXE 5</b> |
| CHARACTERISTIC VALUES                       | ETA-07/0125     |

**Characteristic values (in kN) for connections where the CBH joist hanger is bolted to a steel or reinforced concrete structural member and carrying a supported joist.**

1. Dowels characteristic capacities  $F_{k,dowels}$

| Widths | 60   | 80   | 100  | 120  | 140  | 160  | 60   | 80   | 100  | 120  | 140  | 160  | 60   | 80   | 100  | 120  | 140  | 160  | 60   | 80   | 100  | 120  | 140  | 160  | 60   | 80   | 100  | 120  | 140  | 160  |
|--------|------|------|------|------|------|------|------|------|------|------|------|------|------|------|------|------|------|------|------|------|------|------|------|------|------|------|------|------|------|------|
| Slope  | 0    |      |      |      |      |      | 5    |      |      |      |      |      | 10   |      |      |      |      |      | 15   |      |      |      |      |      | 20   |      |      |      |      |      |
| CBH150 | 12,4 | 13,2 | 15,6 | 17,7 | 19,5 | 19,5 | 12,2 | 13   | 15,2 | 17,3 | 19,3 | 19,3 | 12   | 12,7 | 14,9 | 16,9 | 19   | 19   | 11,7 | 12,4 | 14,5 | 16,4 | 18,4 | 18,7 | 11,5 | 12,1 | 14,1 | 15,9 | 17,9 | 18,3 |
| CBH180 | 19,3 | 21,1 | 25,2 | 28,8 | 29,7 | 29,7 | 18,9 | 20,7 | 24,6 | 28,1 | 29,2 | 29,2 | 18,5 | 20,2 | 23,9 | 27,4 | 28,8 | 28,8 | 18,2 | 19,7 | 23,3 | 26,6 | 28,3 | 28,3 | 17,8 | 19,2 | 22,6 | 25,8 | 27,8 | 27,8 |
| CBH220 | 23,8 | 25,9 | 30,6 | 34,9 | 37,1 | 37,1 | 23,4 | 25,4 | 29,8 | 34   | 36,6 | 36,6 | 22,9 | 24,8 | 29   | 33   | 36   | 36   | 22,4 | 24,2 | 28,2 | 32,1 | 35,3 | 35,3 | 22   | 23,6 | 27,4 | 31,1 | 34,7 | 34,7 |

| Widths | 60   | 80   | 100  | 120  | 140  | 160  | 60   | 80   | 100  | 120  | 140  | 160  | 60   | 80   | 100  | 120  | 140  | 160  | 60   | 80   | 100  | 120  | 140  | 160  | 60   | 80   | 100  | 120  | 140  | 160  |
|--------|------|------|------|------|------|------|------|------|------|------|------|------|------|------|------|------|------|------|------|------|------|------|------|------|------|------|------|------|------|------|
| Slope  | 25   |      |      |      |      |      | 30   |      |      |      |      |      | 35   |      |      |      |      |      | 40   |      |      |      |      |      | 45   |      |      |      |      |      |
| CBH150 | 11,3 | 11,8 | 13,7 | 15,4 | 17,3 | 18   | 11   | 11,6 | 13,4 | 15   | 16,8 | 17,7 | 10,8 | 11,3 | 13   | 14,6 | 16,3 | 17,4 | 10,7 | 11,1 | 12,7 | 14,2 | 15,9 | 17,1 | 10,5 | 10,9 | 12,5 | 13,9 | 15,5 | 16,9 |
| CBH180 | 17,4 | 18,8 | 22   | 25   | 27,3 | 27,3 | 17   | 18,3 | 21,4 | 24,3 | 26,8 | 26,8 | 16,7 | 17,9 | 20,9 | 23,6 | 26,4 | 26,4 | 16,4 | 17,6 | 20,4 | 23,1 | 26   | 26   | 16,2 | 17,3 | 20   | 22,6 | 25,4 | 25,7 |
| CBH220 | 21,5 | 23   | 26,7 | 30,2 | 34   | 34,1 | 21,1 | 22,5 | 26   | 29,4 | 33   | 33,5 | 20,7 | 22,1 | 25,4 | 28,6 | 32,2 | 33   | 20,4 | 21,7 | 24,9 | 28   | 31,4 | 32,6 | 20,1 | 21,3 | 24,4 | 27,4 | 30,8 | 32,2 |

2. Max characteristic capacity (in kN) of the steel part  $F_{k,steel}$

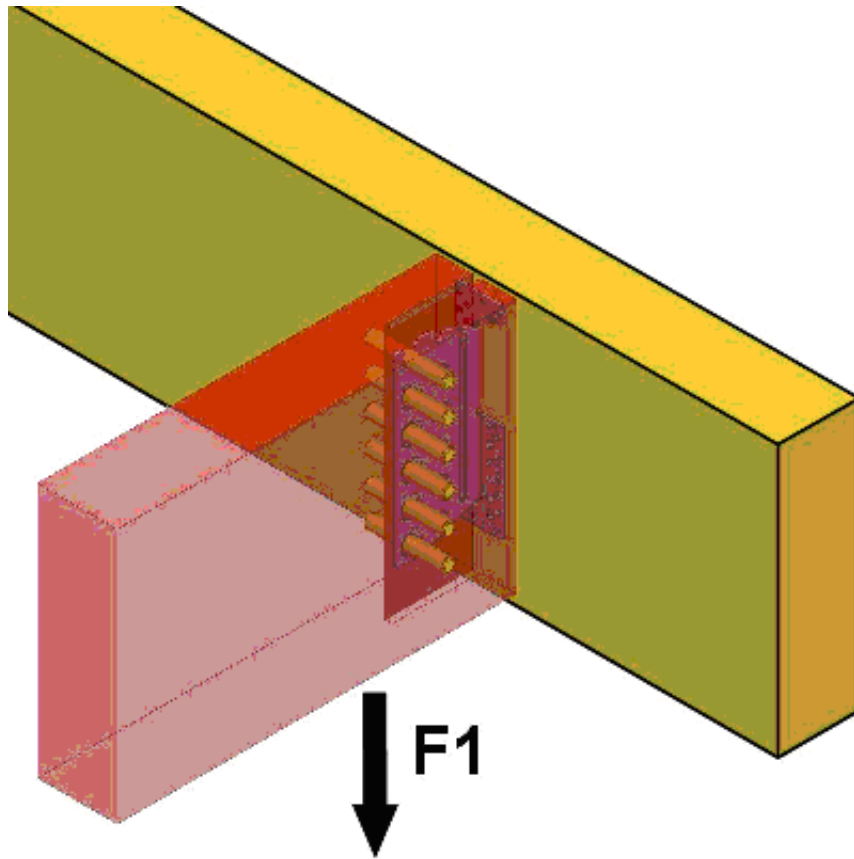
| Model  | $F_{k,steel}$ |
|--------|---------------|
| CBH150 | 15,9          |
| CBH180 | 23,3          |
| CBH220 | 26,1          |

3. Characteristic design capacity of the CBH –  $F_{d,CBH}$

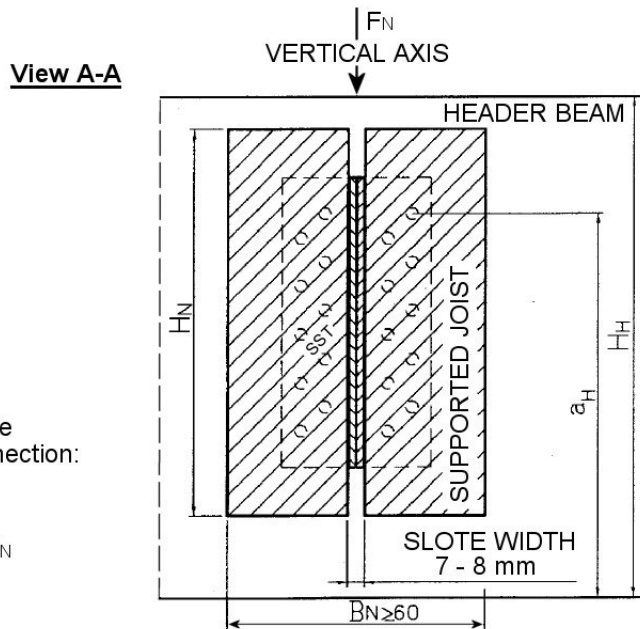
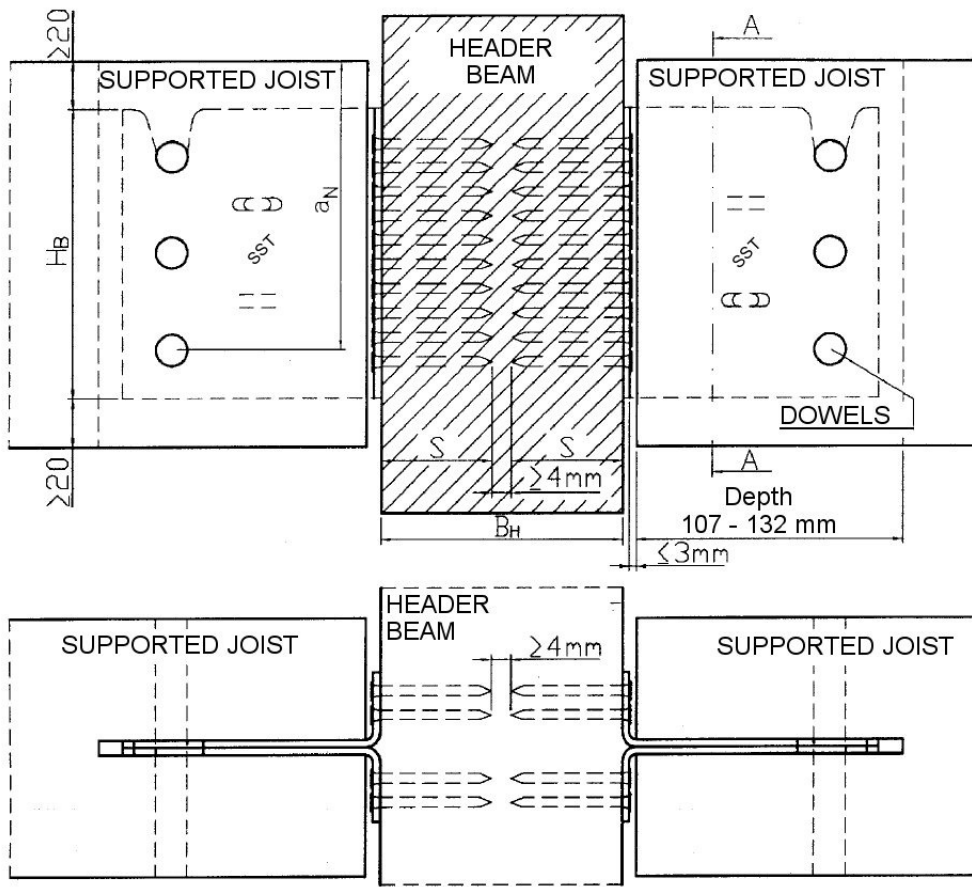
$$F_{d,CBH} = \min \left\{ \begin{array}{l} \frac{F_{k,dowels} \times K_{mod}}{\gamma_M} \\ \frac{F_{k,steel}}{\gamma_M} \end{array} \right.$$

|   |                 |
|---|-----------------|
| Simpson Strong-Tie – Concealed Beam Hangers | <b>ANNEXE 5</b> |
| CHARACTERISTIC VALUES                       | ETA-07/0125     |





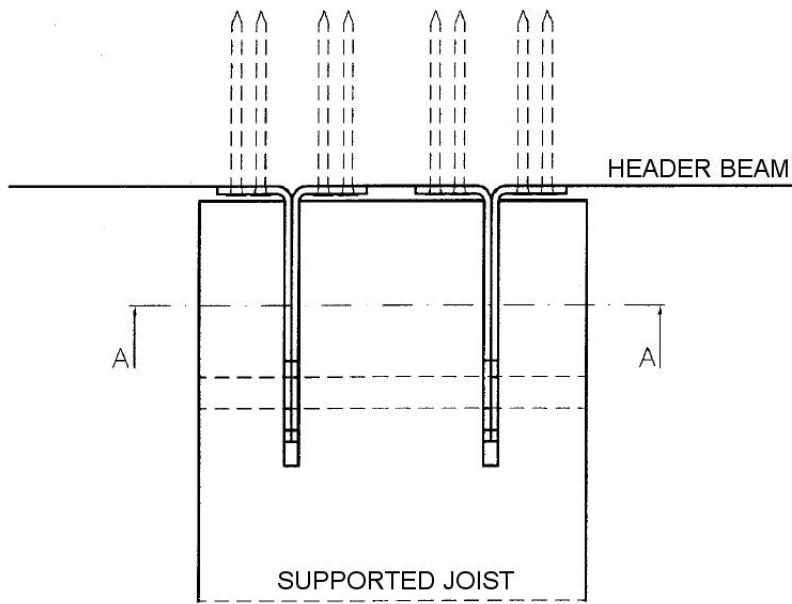
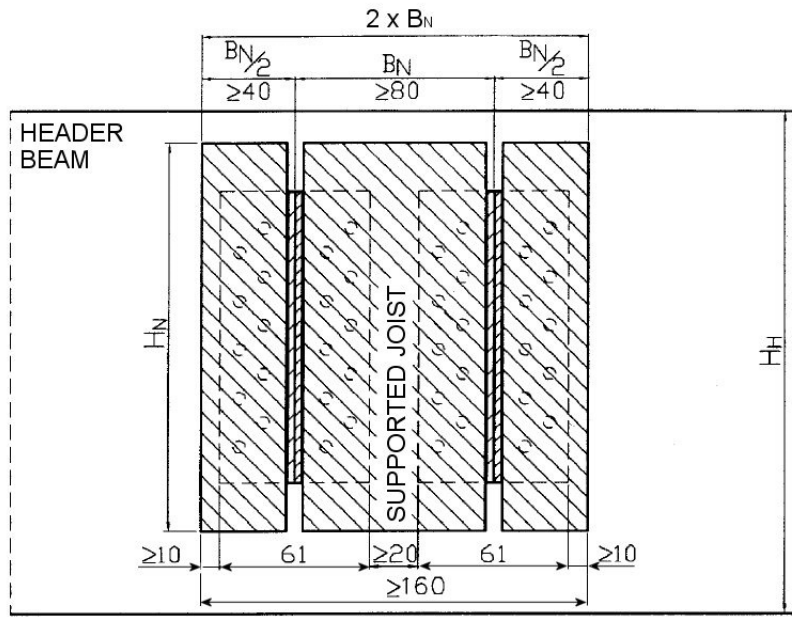
|   |                 |
|---|-----------------|
| Simpson Strong-Tie – Concealed Beam Hangers | <b>ANNEXE 6</b> |
| MECHANICAL SCHEME                           | ETA-07/0125     |



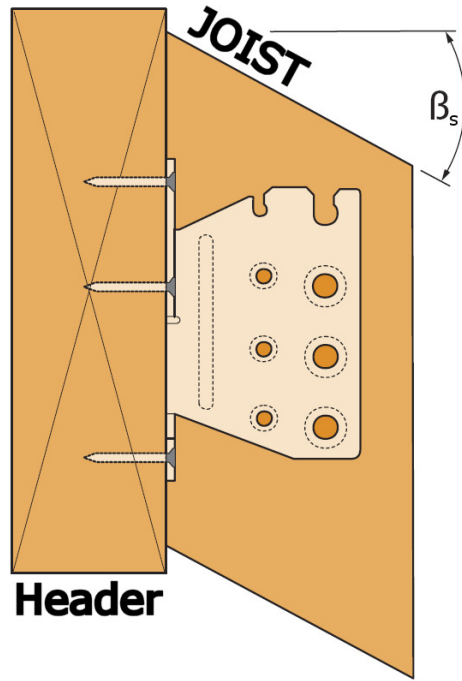
- When we have only one connection:  $B_H \geq B_N$
- Check  $B_H > B_N$

|   |                 |
|---|-----------------|
| Simpson Strong-Tie – Concealed Beam Hangers | <b>ANNEXE 7</b> |
| RULES INSTALLATION CONNECTION               | ETA-07/0125     |

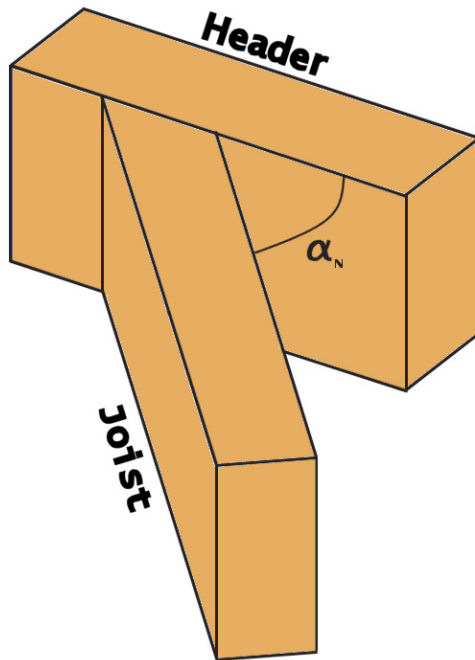
**VIEW A-A**



|   |                 |
|---|-----------------|
| Simpson Strong-Tie – Concealed Beam Hangers | <b>ANNEXE 7</b> |
| RULES INSTALLATION CONNECTION               | ETA-07/0125     |



Slope  $\beta_s$



Skew  $\alpha_N$

|   |                 |
|---|-----------------|
| Simpson Strong-Tie – Concealed Beam Hangers | <b>ANNEXE 8</b> |
| SKEW AND SLOPE                              | ETA-07/0125     |