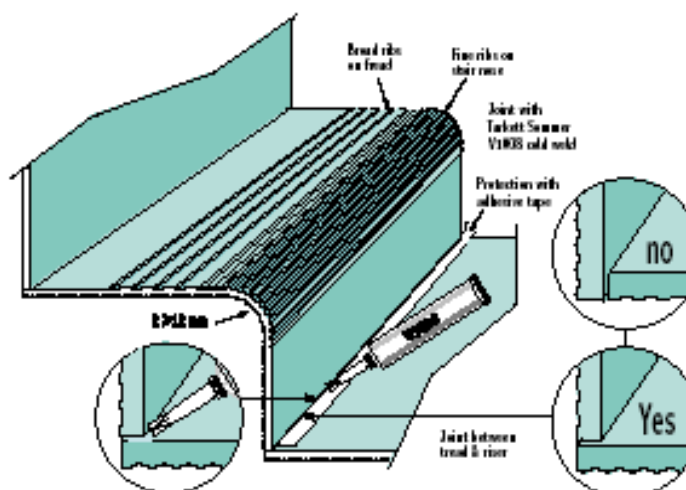
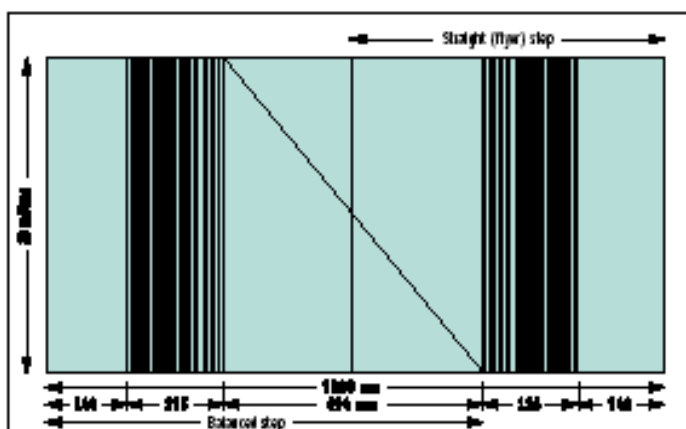


Installation instructions

May 2013

IMPORTANT!

- Make sure all specifications and instructions are followed carefully.
- Contact your Tarkett representative if you are unsure about any part of the installation.
- This information is subject to change due to continuous improvement.
- Use the same batch number for each continuous surface, installing the rolls in sequential order number.
- Store the rolls upright in a safe position.
- Let the flooring acclimatise at least 24h before laying and cut sheets should be relaxed before installation.
- The subfloor must be flat, level, clean, without marks (no felt pen, marker, etc.), sound, dry, solid, hard, smooth and not exposed to moisture. Absorbency must be checked and adjusted to have moderately absorbent subfloor.
- Use only contact adhesives recommended by Tarkett. Always follow the adhesive manufacturer's instructions.
- The work must be completed with an inspection: ensure that the newly laid floor is free from adhesive residues.



INSTALLATION PROCEDURES

Installation procedures must be in accordance with the manufacturer's instructions and the relevant Standard in the country of installation. Carefully follow the instructions for use on the label of the product.

PREPARATION OF SUBSTRATE

The substrate must be flat, smooth, dry, sound and moderately absorbent. If repairing stair damage, use a fast setting mortar. The nose of the stair must have a minimum radius of 12 mm.

PREPARATION OF COVERING

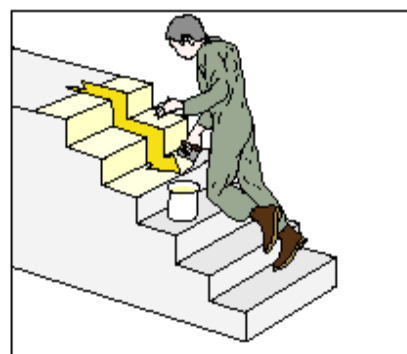
Measure and cut to the width of the stair plus an allowance of 5 cm down the length of the roll and store flat. Make a reference mark in pencil on the backing of the vinyl in order to position the ribbing on each of the stairs uniformly. The storage temperature must be at least 15°C for 24 hours. As far as possible, try to maintain the same temperature in the stairway. Gently heating the material with a hot air gun at the nosing detail will greatly assist with the installation at this location.

ADHESIVES

Apply a suitable primer recommended by the primer manufacturer and allow to dry before applying a contact adhesive (solvent-free) to both surfaces (the back of the TX Stairs and the substrate) as directed by the manufacturer.

APPLYING ADHESIVE TO THE STAIRCASE

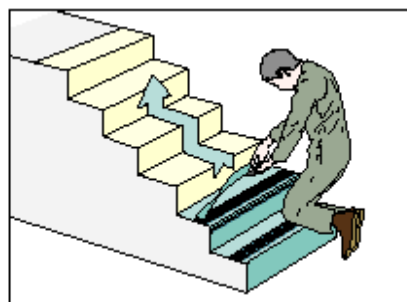
Using a very finely notched spatula or roller, apply the adhesive to each noze, tread and riser of the stair starting from the top. At the same time, coat the reverse of each of the pre-cut pieces of floorcovering and allow to dry.



PLACING THE TX STAIRS

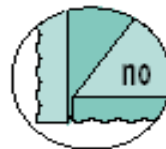
Start at the bottom of the staircase. The fine ribs are spread evenly over the nose of the stair and the broad ribs cover the tread. Identify the position of the ribs by aligning with a reference mark on the substrate.

Distribution of streaks (ribs): 1/3 on the riser, 2/3 on the tread. Ensure that the floorcovering is pressed firmly into the adhesive, especially over the nosing detail. Roll carefully from the nose of the stair over the tread, and finish with the riser. In case of turning stairs, use a stair bevel to ease the installation.



JOINTS

Where the tread and risers meet, the joint should be cold welded (observe the instructions and precautions for use).



LANDING JUNCTIONS

Where the staircase and landing meet, the joints must be made at the last broad ribbed nosing furthest from the top of the stair. Hot weld using appropriate welding rod.

CARE

The PUR Reinforcement treatment carried out during manufacture makes it easy to remove stains, and limits daily cleaning to nothing more than mopping with a neutral detergent. No emulsion need be applied. Clean the ribbing regularly with a soft brush.