

European Communication Format – B2B

# Environmental Product Declaration

POLYPROPYLENE (PP) STRUCTURED (TWIN)  
WALL SEWER PIPE SYSTEM



## CONTENTS

<b>1</b>	<b>DECLARATION OF GENERAL INFORMATION</b>	<b>3</b>
<b>2</b>	<b>DECLARATION OF THE MATERIAL CONTENT</b>	<b>5</b>
<b>3</b>	<b>DECLARATION OF THE ENVIRONMENTAL PARAMETERS DERIVED FROM LCA</b>	<b>5</b>
	3.1 Life cycle flow diagram	5
	3.2 Parameters describing environmental impacts	7
	3.3 Parameters describing resource input	7
	3.4 Parameters describing different waste categories and further output material flows	8
<b>4</b>	<b>SCENARIOS AND TECHNICAL INFORMATION</b>	<b>8</b>
	4.1 Construction process stage	8
	4.2 Use stage: operation and maintenance	10
	4.3 End-of-life	10
<b>5</b>	<b>ADDITIONAL INFORMATION ON EMISSIONS TO INDOOR AIR, SOIL AND WATER DURING USE STAGE</b>	<b>11</b>
<b>6</b>	<b>OTHER ADDITIONAL INFORMATION</b>	<b>11</b>
<b>7</b>	<b>REFERENCES</b>	<b>15</b>

## 1. DECLARATION OF GENERAL INFORMATION

### Introduction

The European Plastics Pipes and Fittings Association (TEPPFA) deems it important to have an insight into the integral environmental impacts that are encountered during the lifespan of particular pipe system applications.

With this framework in mind, in 2010 TEPPFA has set up an LCA/EPD project with the Flemish Institute for Technological Research (VITO) which resulted in an EPD. The present EPD is the update of the EPD issued in 2012 – foreground data remained the same, with only the datasets being updated to the latest available version (Ecoinvent V3.3 and Industry 2.0 replaced Ecoinvent 2 datasets).

It outlines the various environmental aspects, which accompany the polypropylene (PP) structured (twin) wall sewer pipe system, from the primary extraction of raw materials up to and including the end of life (EoL) treatment after its reference service lifetime.

### Name and address of manufacturers

**TEPPFA, Avenue de Cortenbergh, 71, B-1000 Brussels, Belgium**

Tel: +32 2 736 24 06

E-Mail: [info@teppfa.eu](mailto:info@teppfa.eu)

Website: [www.teppfa.eu](http://www.teppfa.eu)

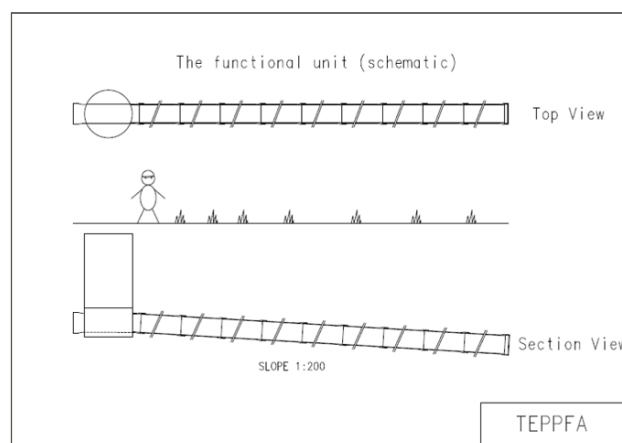
### PP pipe system's use and functional unit

The EPD refers to a typical European PP structured (twin) wall sewer pipe system, from the cradle to the grave, including raw material extraction, transportation to converters, converting process, transport to trench, construction, use and end of life. Environmental indicators are expressed for the complete life cycle, from the cradle to the grave, so for an average European PP structured (twin) wall sewer pipe system.

The functional unit is defined as "The below ground gravity transportation of sewage over a distance of 100 m by a typical public European PP structured (twin) wall pipe system (DN/ID 300 mm) from the entrance of a public sewer system to the entrance of the waste water treatment plant, over its complete service life cycle of 100 years, calculated per year".

### Product name & graphic display of product

PP structured (twin) wall sewer pipe system  
(civil applications)



## Description of the PP structured (twin) wall sewer pipe system components

The environmental burdens are calculated in relation to the functional unit, which resulted for the typical European PP structured (twin) wall sewer pipe system in the following basic pipe system components: PP pipes, PP fittings, PP manholes and SBR sealing rings.

The system consists of PP structured (twin) wall pipes and fittings, red brown, SN 8, diameter 300 mm, 5 m length, socketed (representative for the typical pipe diameter from the entrance of a public sewer system to the entrance of the waste water treatment plant).

Manhole roughly every 45 metres (630 mm shaft – SMP report, 2005). The manhole covers are not included in the LCA study. Volume of fittings including seals (approximately 5%) calculated based on actual sales data. The pipe system has a reference length of 100 metres; slope 1/200 and filling rate 100%. Service lifetime of 100 years.

The EPD is declared as the average environmental performance for a typical European PP structured (twin) wall sewer pipe system, over its reference service life cycle of 100 years, calculated per year, in accordance to EN 13476, EN 1295-1 and EN 1610.

## EPD programme and programme operator

The present EPD is in line with the ongoing standardization work by CEN TC 350 (EN15804 and EN15942). A programme operator related to the CEN TC 350 has not been established yet.

## Date of declaration and validity

August, 2018

The EPD has a 5 year validity period (August, 2023)

## Comparability

Please note that EPDs of construction products may not be comparable if they do not comply with the CEN TC 350 (EN15804 and EN15942) standards.

## Typical European PP structured (twin) wall sewer pipe system EPD

The present EPD outlines various environmental aspects, which accompany a representative average European PP structured (twin) wall sewer pipe system, from the primary extraction of raw materials up to and including the end of life (EoL) treatment after its reference service lifetime of 100 years.

## Group of manufacturers

The EPD for the PP structured (twin) wall sewer pipe system is representative for an anticipated European typical PP structured (twin) wall sewer pipe system. The TEPPFA member companies represent more than 50% of the European market for extruded plastic pipes. For an overview of all members and national associations within TEPPFA we refer to pages 12-14 of this EPD.

## Content of the product system

The product system does not contain materials or substances that can adversely affect human health and the environment in all stages of the life cycle.

## Retrieve information

Explanatory material may be obtained by contacting TEPPFA (<http://www.teppfa.eu>)

## 2. DECLARATION OF THE MATERIAL CONTENT

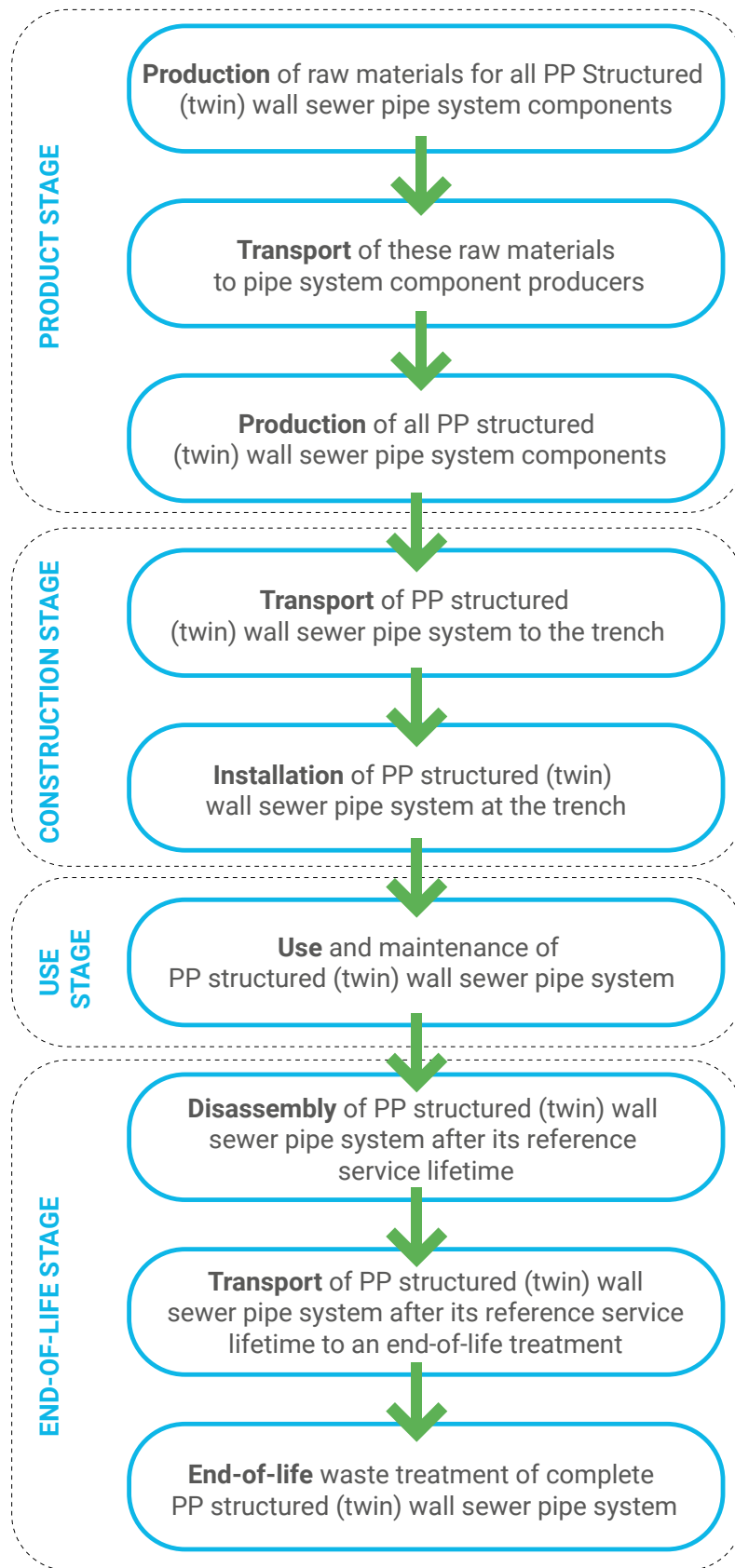
The European Polypropylene (PP) structured (twin) wall sewer pipe system does not contain any substances as such or in concentration exceeding legal limits, which can adversely affect human health and the environment in any stages of its entire life cycle.

## 3. DECLARATION OF THE ENVIRONMENTAL PARAMETERS DERIVED FROM LCA

### 3.1 Life cycle flow diagram

The EPD refers to a typical European PP structured (twin) wall sewer pipe system, from the cradle to the grave, including product stage, transport to construction site and construction process stage, use stage and end of life stage.

- **Product stage:** raw material extraction and processing, recycling processes for recycled material input, transport to the manufacturer, manufacturing (including all energy provisions, waste management processes during the product stage up to waste for final disposal):
  - Production of raw materials for PP pipes
  - Transport of PP pipe raw materials to converter
  - Converting process for PP structured (twin) wall pipes (extrusion)
  - Production of raw materials for PP fittings
  - Transport of PP fittings raw materials to converter
  - Converting process for PP fittings (injection moulding)
  - Production raw materials for PP manholes
  - Transport of PP manholes raw materials to converter
  - Converting process for PP manholes (injection moulding)
  - Production raw materials for styrene butadiene rubber (SBR) rings
  - Transport of SBR raw materials to converter
  - Converting process for SBR rings
- **Construction process stage:** including all energy provisions, waste management processes during the construction stage up to waste for final disposal
  - Transport of complete PP structured (twin) wall sewer pipe system to the trench
  - Installation of complete PP structured (twin) wall sewer pipe system in the trench
- **Use stage (maintenance and operational use):** including transport and all energy provisions, waste management processes up to waste for final disposal during this use stage
  - Use and maintenance of the complete PP structured (twin) wall sewer pipe system during 100 years of reference service lifetime
- **End of life stage:** including all energy provisions during the end of life stage
  - Disassembly of complete PP structured (twin) wall sewer pipe system after 100 years of reference service lifetime
  - Transport of complete PP structured (twin) wall sewer pipe system after 100 years of reference service lifetime
  - End-of-life waste treatment of complete PP structured (twin) wall sewer pipe system after 100 years of reference service lifetime



### 3.2 Parameters describing environmental impacts

The following environmental parameters are expressed with the impact category parameters of the life cycle impact assessment (LCIA).

Impact category	Abiotic depletion (non-fossil)	Abiotic depletion (fossil fuels)	Acidification	Eutrophication	Global warming	Ozone layer depletion	Photochemical oxidation
	kg Sb eq	MJ	kg SO <sub>2</sub> eq	kg PO <sub>4</sub> --- eq	kg CO <sub>2</sub> eq	kg CFC-11 eq	kg C <sub>2</sub> H <sub>4</sub> eq
Product stage	5,31E-06	4,80E+02	3,90E-02	8,82E-03	1,26E+01	5,54E-07	2,96E-03
Construction process stage	1,01E-05	1,00E+02	4,35E-02	9,14E-03	6,56E+00	1,26E-06	1,33E-03
Use stage	3,80E-07	1,06E+01	5,22E-03	1,09E-03	7,02E-01	1,24E-07	1,50E-04
End of life stage	9,58E-08	-6,76E-01	-2,21E-04	3,31E-05	3,73E-01	-2,48E-09	-1,93E-05
<b>TOTAL</b>	<b>1,58E-05</b>	<b>5,91E+02</b>	<b>8,75E-02</b>	<b>1,91E-02</b>	<b>2,03E+01</b>	<b>1,93E-06</b>	<b>4,42E-03</b>

### 3.3 Parameters describing resource input

The following environmental parameters apply data based on the life cycle inventory (LCI).

Environmental parameter	Use of renewable primary energy excluding renewable primary energy resources used as raw materials	Use of renewable primary energy resources used as raw materials	Total use of renewable primary energy resources (primary energy and primary energy resources used as raw materials)	Use of non renewable primary energy excluding non renewable primary energy resources used as raw materials	Use of non renewable primary energy resources used as raw materials	Total use of non renewable primary energy resources (primary energy and primary energy resources used as raw materials)	Use of secondary material	Use of renewable secondary fuels	Use of non renewable secondary fuels	Net use of fresh water
	MJ, net calorific value	MJ, net calorific value	MJ, net calorific value	MJ, net calorific value	MJ, net calorific value	MJ, net calorific value	kg	MJ, net calorific value	MJ, net calorific value	m <sup>3</sup>
Product stage	na	na	2,03E+01	na	na	4,88E+02	na	na	na	2,45E-01
Construction process stage	na	na	3,85E+00	na	na	1,07E+02	na	na	na	8,34E-01
Use stage	na	na	1,62E-01	na	na	1,05E+01	na	na	na	1,52E-01
End of life stage	na	na	-4,72E-01	na	na	-2,61E+00	na	na	na	-2,20E-03
<b>TOTAL</b>	<b>na</b>	<b>na</b>	<b>2,38E+01</b>	<b>na</b>	<b>na</b>	<b>6,03E+02</b>	<b>na</b>	<b>na</b>	<b>na</b>	<b>1,23E+00</b>

### 3.4 Parameters describing different waste categories and further output material flows

The parameters describing waste categories and other material flows are output flows derived from the life cycle inventory (LCI):

#### Parameters describing different waste categories

Environmental parameter	Hazardous waste	Non-hazardous waste	Nuclear waste
	kg	kg	kg
Product stage	8,48E-02	7,98E-01	3,52E-04
Construction stage	5,49E-05	1,86E+00	8,24E-04
Use stage	6,27E-06	1,79E-02	7,16E-05
End of life stage	-2,90E-06	5,59E+00	-1,27E-05
<b>TOTAL</b>	<b>8,48E+02</b>	<b>8,27E+00</b>	<b>1,23E-03</b>

#### Parameters describing further output material flows

Parameter	Parameter unit expressed per functional unit
Components for re-use	5,573 kg
Materials for recycling	0,151 kg
Materials for energy recovery	0,160 kg

## 4. SCENARIOS AND TECHNICAL INFORMATION

### 4.1 Construction process stage

#### Transport from the production gate to the construction site (trench)

Parameter	Parameter unit expressed per functional unit
Fuel type consumption of vehicle or vehicle type used for transport e.g. long distance truck, boat etc.	The PP structured (twin) wall sewer pipe system is transported over an average distance of 400 km by means of a truck from the producers of the different pipe system components to the trench. The loading factor for PP structured (twin) wall pipes is limited by volume. Environmental burdens associated with this kind of transport are calculated by means of the Ecoinvent V3.3 data record "Transport, freight, lorry 16-32 metric ton, EURO4 {RER}  transport, freight, lorry 16-32 metric ton, EURO4   Alloc Rec, U".
Capacity utilisation (including empty returns)	
Bulk density	
Volume capacity utilisation factor (factor: =1 or <1 or ≥ 1 for compressed or nested packaged products)	



## Construction (installation at trench)

Parameter	Parameter unit expressed per functional unit																								
Ancillary materials for installation	<b>0,34 m<sup>3</sup> of backfilling sand</b> trucked to trench over an average distance of 10 km. Environmental burdens associated with this kind of energy are calculated by means of the Ecoinvent V3.3 datarecords "Sand {CH}  gravel and quarry operation   Alloc Rec, U" and "Transport, freight, lorry >32 metric ton, EURO4 {RER}  transport, freight, lorry >32 metric ton, EURO4   Alloc Rec, U" Building hall is excluded from the background dataset for sand due to irregularities related to the impact on abiotic depletion (non-fossil).																								
Other resource consumption	Not relevant																								
Quantitative description of energy type (regional mix) and consumption during the installation process	<b>44 MJ of mechanical energy</b> is needed for excavating the soil (dig up), for excavating the backfilling soil and sand, for the stamping process (compaction next pipe) and for the vibration plate (compaction top). Environmental burdens associated with this kind of energy are calculated by means of the Ecoinvent V3.3 datarecord "Diesel, burned in building machine {GLO}  processing   Alloc Rec, U"																								
Waste on the building site, generated by the product's installation	<b>0,09 kg of PP pipe left over</b> during installation: 80% to landfill, 15% to incineration and 5% to mechanical recycling. Transportation of PP pipe left over to waste management treatment facilities is included: 600 km to recycling plant, 150 km to incineration with energy recovery and 50 km to landfill. Environmental burdens are calculated by means of the Ecoinvent V3.3 datarecord "Transport, freight, lorry 3.5-7.5 metric ton, EURO4 {RER}  transport, freight, lorry 3.5-7.5 metric ton, EURO4   Alloc Rec, U".																								
Output materials as result of waste management processes at the building site e.g. of collection for recycling, for energy recovery, final disposal	<b>0,24 kg of packaging waste:</b> treated according to European average packaging waste scenarios (EU27, 2006): <table border="1" data-bbox="480 1084 1410 1408"> <thead> <tr> <th></th> <th>Recycling</th> <th>Energy Recovery</th> <th>Landfill</th> </tr> </thead> <tbody> <tr> <td>Plastic</td> <td>27%</td> <td>26%</td> <td>47%</td> </tr> <tr> <td>Paper and board</td> <td>75%</td> <td>10%</td> <td>15%</td> </tr> <tr> <td>Wood</td> <td>38%</td> <td>23%</td> <td>39%</td> </tr> <tr> <td>Metals</td> <td>66%</td> <td></td> <td>34%</td> </tr> <tr> <td><b>Total</b></td> <td><b>57%</b></td> <td><b>12%</b></td> <td><b>31%</b></td> </tr> </tbody> </table>		Recycling	Energy Recovery	Landfill	Plastic	27%	26%	47%	Paper and board	75%	10%	15%	Wood	38%	23%	39%	Metals	66%		34%	<b>Total</b>	<b>57%</b>	<b>12%</b>	<b>31%</b>
	Recycling	Energy Recovery	Landfill																						
Plastic	27%	26%	47%																						
Paper and board	75%	10%	15%																						
Wood	38%	23%	39%																						
Metals	66%		34%																						
<b>Total</b>	<b>57%</b>	<b>12%</b>	<b>31%</b>																						
Emissions to ambient air, soil and water	No direct emissions at the trench. Emissions are related to the upstream processes (mining of sand, transportation processes and mechanical energy) and downstream processes (waste management and treatment) and are included in the Ecoinvent datarecords that are used for modelling the environmental impacts.																								

## 4.2 Use stage: operation and maintenance

### Operation:

Operational use is not relevant for the EPD, since it falls outside the system boundaries of the LCA project. Moreover, the PP structured (twin) wall sewer pipe system is a gravity pipe system.

### Maintenance:

Energy consumption for jetting: 7 MJ per FU

Water consumption for jetting: 0,15 m<sup>3</sup> per FU

Maintenance in case of the PP structured (twin) wall sewer pipe systems is specifically related to jetting. Jetting happens 4 times in a 100 year service lifetime. One jetting operation needs an energy consumption of 5 litres of gasoline and 3,75 m<sup>3</sup> of water per 100 metres of pipe system.

## 4.3 End of life

The following end of life scenarios have been taken into account:

- Estimated reference service lifetime of 100 years based on technical assumptions
- EoL approach for landfill, incineration with energy recovery (impacts and credits are assigned to the life cycle that generates the waste flows)
- Recycled content approach for recycling and use of recyclates (= impact of recycling and credits for recyclates, because less virgin materials are needed is assigned to the life cycle that uses the recyclates)

Processes	Parameter unit expressed per functional unit														
Collection process	<p>After a reference service lifetime of 100 years the PP structured (twin) wall sewer pipe system might be replaced. In most cases (95%) the pipe system will be left in the ground. In some cases (5%) the pipe system is taken out and treated (mechanical recycling, incinerated or landfilled). So for the functional unit, 5,867 kg of pipe system components (pipes, fittings, manholes) are available at the trench. 2,5% (0,147 kg) is transported over an average distance of 600 km to a recycling plant, 2,5% (0,147 kg) is transported over an average distance of 150 km to an incinerator, and the remaining 95% (5,573 kg) is left in the ground. For the functional unit 0,045 kg of SBR rings are available at the trench. 5% (0,0022) will be transported to landfill over an average distance of 50 km, the rest is left in the ground.</p> <table border="1"> <thead> <tr> <th colspan="2">EOL scenario PP pipes and fittings, incl. PP manholes</th> </tr> </thead> <tbody> <tr> <td>Mechanical recycling</td> <td>2,5%</td> </tr> <tr> <td>Incineration</td> <td>2,5%</td> </tr> <tr> <td>Left in ground</td> <td>95%</td> </tr> <tr> <th colspan="2">EOL scenario SBR rings</th> </tr> <tr> <td>Landfill</td> <td>5%</td> </tr> <tr> <td>Left in ground</td> <td>95%</td> </tr> </tbody> </table> <p>Environmental burdens associated with transportation are calculated by means of the following Ecoinvent V3.3 data record "Transport, freight, lorry 3.5-7.5 metric ton, EURO4 {RER}  transport, freight, lorry 3.5-7.5 metric ton, EURO4   Alloc Rec, U"</p>	EOL scenario PP pipes and fittings, incl. PP manholes		Mechanical recycling	2,5%	Incineration	2,5%	Left in ground	95%	EOL scenario SBR rings		Landfill	5%	Left in ground	95%
EOL scenario PP pipes and fittings, incl. PP manholes															
Mechanical recycling		2,5%													
Incineration	2,5%														
Left in ground	95%														
EOL scenario SBR rings															
Landfill	5%														
Left in ground	95%														
Recycling system															
Final deposition															

## 5. ADDITIONAL INFORMATION ON EMISSIONS TO INDOOR AIR, SOIL AND WATER DURING USE STAGE

### Emissions to indoor air:

Since the PP structured (twin) wall sewer pipe system is a buried system (in trench) we can confirm that emissions to indoor air are not relevant.

### Emissions to soil and water:

Despite there is no approved European measurement method available, we can confirm that the PP structured (twin) wall sewer pipe system does not contain any substances mentioned on the REACH-list.

## 6. OTHER ADDITIONAL INFORMATION

### Product certification, conformity, marking

**EN 13476**, Plastics piping systems for non-pressure underground drainage and sewerage - Structured-wall piping systems of unplasticized poly(vinyl chloride) (PVC-U), polypropylene (PP) and polyethylene (PE)

**EN 1295-1**, Structural design of buried pipelines under various conditions of loading. Part 1: General requirements

**EN 1610**, Construction and testing of drains and sewers

**ENV 1046**, Plastics piping and ducting systems - Systems outside building structures for the conveyance of water or sewage - Practices for installation above and below ground

In compliance with European Construction Products Directive (89/106/EEC)

### Other technical product performances

For the full overview of the environmental benefits of plastic pipe systems we will refer to the TEPPFA website: <http://www.teppfa.eu>

List of names and logos of TEPPFA member companies



Aliaxis



DYKA



Geberit International



Georg Fischer Piping Systems



LK



Nupi



Pipelife International



Polypipe



Rehau



Radius Systems



Uponor



Wavin

## List of National Associations of TEPPFA

<b>ADPP</b>	<b>Czech Republic plastic pipes association</b>
<b>ASETUB</b>	<b>Asociación Española de Fabricantes de Tubos y Accesorios Plásticos</b>
<b>BPF</b>	<b>Plastic Pipes Group</b>
<b>BureauLeiding</b>	<b>Dutch Plastic Pipes Association</b>
<b>DPF</b>	<b>Danish Plastics Federation</b>
<b>FCIO</b>	<b>Fachverband der Chemischen Industrie Österreich</b>
<b>Essencia PolyMatters</b>	<b>Belgian Federation for Chemistry and Life Sciences industries</b>
<b>FIPIF</b>	<b>Finnish Plastics Industries Federation</b>
<b>IPPMA</b>	<b>Irish Plastic Pipe Manufacturers Association</b>
<b>KRV</b>	<b>Kunststoffrohrverband e.V.- Fachverband der Kunststoffrohr-Industrie</b>
<b>MCsSz</b>	<b>Műanyag Csőgyártók Szövetsége</b>
<b>NPG Sweden</b>	<b>Swedish Plastic Pipe Association</b>
<b>PRIK</b>	<b>Polish Association of Pipes and Fittings</b>
<b>STR</b>	<b>Syndicat des Tubes et Raccords</b>
<b>VKR</b>	<b>Verband Kunststoffrohre und Rohrleitungstelle</b>

List of names and logos of TEPPFA  
Associated Members



Borealis



ECVM



LyondellBasell



Lubrizol



Molecor

List of names and logos of TEPPFA  
Supporting Members



Rollepaal

## 7. REFERENCES

- Ecoinvent, 2016.** Ecoinvent database v3.3, Swiss Centre for Life Cycle Inventories, Switzerland.  
From: [www.ecoinvent.org](http://www.ecoinvent.org)
- EN 13476,** Plastics piping systems for non-pressure underground drainage and sewerage - Structured-wall piping systems of unplasticized poly(vinyl chloride) (PVC-U), polypropylene (PP) and polyethylene (PE)
- EN 1295-1,** Structural design of buried pipelines under various conditions of loading. Part 1: General requirements
- EN 1610,** Construction and testing of drains and sewers
- ENV 1046,** Plastics piping and ducting systems - Systems outside building structures for the conveyance of water or sewage - Practices for installation above and below ground
- Eurostat, 2006,** Packaging waste scenarios (EU27, 2006)
- ISO 14025:** Environmental Labels and Declarations Type III
- ISO 14040:** Environmental management – Life cycle assessment – Principles and framework
- ISO 14044:** Environmental management – Life cycle assessment – Requirements and guidelines
- EN 15804:2012+A1:2013:** Sustainability of construction works – Environmental product declarations – core rules for the product category of construction products (2013)
- EN 15942:** Sustainability of construction works – Environmental product declarations – Communication format – Business to Business
- SMP report,** 2005 - Prof. Dr.-Ing. Stein & Partner GmbH – Bochum - European study of the performance of various pipe systems, respectively pipe materials for municipal sewage systems under special consideration of the ecological range of effects during the service life

### Background LCA report (ISO 14040 and ISO 14044) prepared by

#### VITO

Flemish Institute for Technological Research  
Boeretang 200,  
B-2400 Mol, Belgium  
Tel.: +32 1 433 55 11  
Email: [vito@vito.be](mailto:vito@vito.be)



### External critical review of underlying LCA by

Denkstatt GmbH,  
Hietzinger Hauptstraße 28  
A-1130 Wien, Austria  
Tel.: +43 1 786 89 00  
Email: [office@denkstatt.at](mailto:office@denkstatt.at)



**Background LCA report (ISO 14040 and ISO 14044) prepared by**

**VITO**

Flemish Institute for Technological Research  
Boeretang 200,  
B-2400 Mol, Belgium  
Tel.: +32 1 433 55 11  
Email: [vito@vito.be](mailto:vito@vito.be)



**External critical review of underlying LCA by**

Denkstatt GmbH,  
Hietzinger Hauptstraße 28  
A-1130 Wien, Austria  
Tel.: +43 1 786 89 00  
Email: [office@denkstatt.at](mailto:office@denkstatt.at)



**Visit our website**

[www.teppfa.eu](http://www.teppfa.eu)

**TEPPFA Aisbl**

71 Kortenberglaan,  
Brussels 1000, Belgium

T: +32 2 736 24 06 71

E: [info@teppfa.eu](mailto:info@teppfa.eu)

