

European Communication Format – B2B

Environmental Product Declaration

POLYVINYLCHLORIDE (PVC-U) MULTILAYER
SEWER PIPE SYSTEM WITH A CORE OF FOAM
AND RECYCLATES



CONTENTS

1	DECLARATION OF GENERAL INFORMATION	3
2	DECLARATION OF THE MATERIAL CONTENT	5
3	DECLARATION OF THE ENVIRONMENTAL PARAMETERS DERIVED FROM LCA	5
	3.1 Life cycle flow diagram	5
	3.2 Parameters describing environmental impacts	7
	3.3 Parameters describing resource input	7
	3.4 Parameters describing different waste categories and further output material flows	8
4	SCENARIOS AND TECHNICAL INFORMATION	8
	4.1 Construction process stage	8
	4.2 Use stage: operation and maintenance	10
	4.3 End-of-life	10
5	ADDITIONAL INFORMATION ON EMISSIONS TO INDOOR AIR, SOIL AND WATER DURING USE STAGE	11
6	OTHER ADDITIONAL INFORMATION	11
7	REFERENCES	15

1. DECLARATION OF GENERAL INFORMATION

Introduction

The European Plastics Pipes and Fittings Association (TEPPFA) deems it important to have an insight into the integral environmental impacts that are encountered during the lifespan of particular pipe system applications.

With this framework in mind, in 2010 TEPPFA has set up an LCA/EPD project with the Flemish Institute for Technological Research (VITO) which resulted in an EPD. The present EPD is the update of the EPD issued in 2012 – foreground data remained the same, with only the datasets being updated to the latest available version (Ecoinvent 3.3 replaced Ecoinvent 2 datasets).

It outlines the various environmental aspects, which accompany the polyvinylchloride (PVC-U) multilayer sewer pipe system with a core of foam and recyclates, from the primary extraction of raw materials up to and including the end of life (EoL) treatment after its reference service lifetime.

Name and address of manufacturers

**TEPPFA, Avenue de Cortenbergh, 71, B-1000
Brussels, Belgium**

Tel: +32 2 736 24 06

E-Mail: info@teppfa.eu

Website: www.teppfa.eu

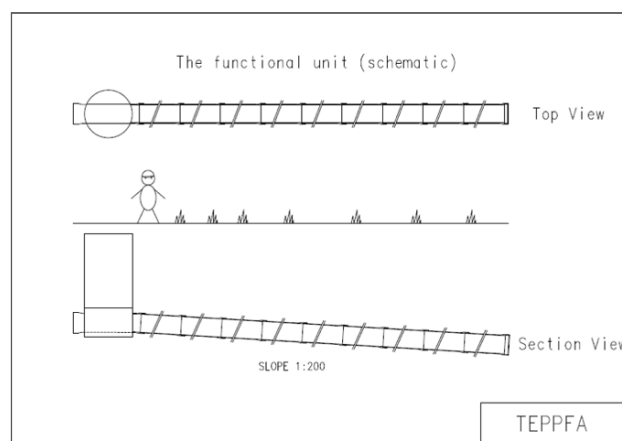
PVC-U pipe system's use and functional unit

The EPD refers to a typical European public sewer pipe system built of PVC-U multilayer sewer pipes with a core of foam and recyclates, from the cradle to the grave, including raw material extraction, transportation to converters, converting process, transport to trench, construction, use and end of life. Environmental indicators are expressed for the complete life cycle, from the cradle to the grave, so for an average European PVC-U multilayer sewer pipe system with a core of foam and recyclates.

The functional unit is defined as “The below ground gravity transportation of sewage over a distance of 100 m by a typical public European PVC-U multilayer pipe system with a core of foam and recyclates (Ø 250mm) from the entrance of a public sewer system to the entrance of the waste water treatment plant, over its complete service life cycle of 100 years, calculated per year”.

Product name & graphic display of product

PVC-U multilayer sewer pipe system with a core of foam and recyclates (civil applications).



Description of the different components of the PVC-U multilayer sewer pipe system with a core of foam and recyclates

The environmental burdens are calculated in relation to the functional unit, which resulted for the typical European PVC-U multilayer sewer pipe system with a core of foam and recyclates in the following basic pipe system components: PVC-U multilayer pipes (with a foamed core of unplasticized PVC and recyclates), PVC-U fittings, PP manholes and SBR sealing rings.

The system consists of PVC-U multilayer pipes (with a core of foamed PVC-U and recyclates) red brown, SN 4, diameter 250 mm, 5 m length, socketed, and PVC-U fittings (representative for the typical pipe diameter from the entrance of a public sewer system to the entrance of the waste water treatment plant).

Manhole roughly every 45 metres (630 mm shaft – SMP report, 2005). The manhole covers are not included in the LCA study. Volume of fittings including seals (approximately 5% of the PVC solid wall sewer pipes) calculated based on actual sales data. The pipe system has a reference length of 100 metres; slope 1/200 and filling rate 100%. Service lifetime of 100 years.

The EPD is declared as the average environmental performance for a typical European PVC-U multilayer sewer pipe system with a core of foam and recyclates, over its reference service life cycle of 100 years, calculated per year, in accordance to EN 13476-1, EN 13476-2, EN 1295-1, EN 1046 and EN 1610.

EPD programme and programme operator

The present EPD is in line with the ongoing standardization work by CEN TC 350 (EN15804 and EN15942). A programme operator related to the CEN TC 350 has not been established yet.

Date of declaration and validity

August, 2018

The EPD has a 5 year validity period (August, 2023)

Comparability

Please note that EPDs of construction products may not be comparable if they do not comply with the CEN TC 350 (EN15804 and EN15942) standards.

Typical European PVC-U multilayer sewer pipe system with a core of foam and recyclates EPD

The present EPD outlines various environmental aspects, which accompany a representative average European PVC-U multilayer sewer pipe system with a core of foamed, unplasticized virgin PVC-U and recyclates, from the primary extraction of raw materials up to and including the end of life (EoL) treatment after its reference service lifetime of 100 years.

Group of manufacturers

The EPD for the PVC-U multilayer sewer pipe system with a core of foam and recyclates is representative for an anticipated European typical PVC-U multilayer sewer pipe system. The TEPPFA member companies represent more than 50% of the European market for extruded plastic pipes. For an overview of all members and national associations within TEPPFA we refer to pages 12-14 of this EPD.

Content of the product system

The product system does not contain materials or substances that can adversely affect human health and the environment in all stages of the life cycle.

Retrieve information

Explanatory material may be obtained by contacting TEPPFA (<http://www.teppfa.eu>)

2. DECLARATION OF THE MATERIAL CONTENT

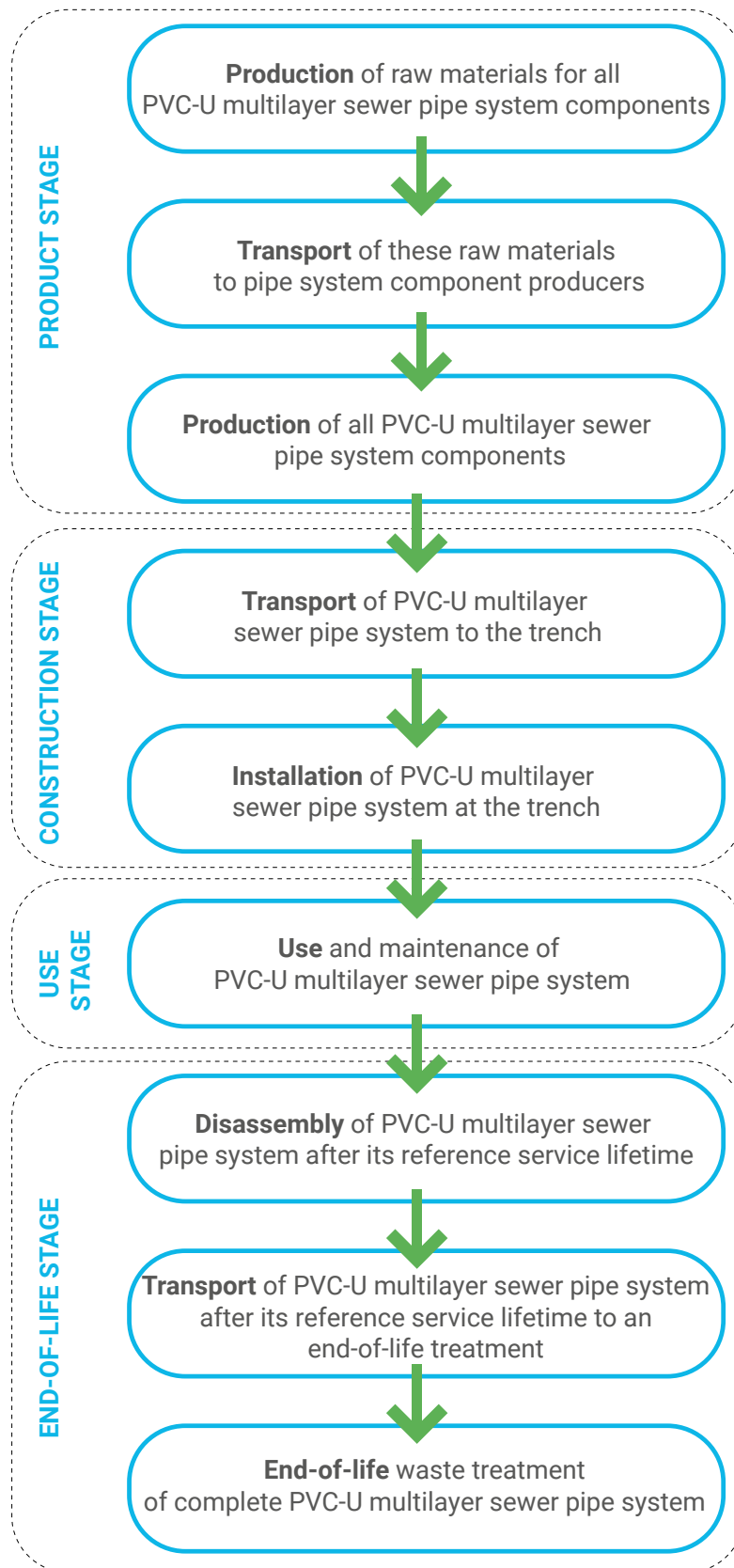
The European Polyvinylchloride (PVC-U) multilayer sewer pipe system with a core of foam and recyclates does not contain any substances as such or in concentration exceeding legal limits, which can adversely affect human health and the environment in any stages of its entire life cycle.

3. DECLARATION OF THE ENVIRONMENTAL PARAMETERS DERIVED FROM LCA

3.1 Life cycle flow diagram

The EPD refers to a typical European PVC-U multilayer sewer pipe system with a core of foam and recyclates, from the cradle to the grave, including product stage, transport to construction site and construction process stage, use stage and end of life stage.

- **Product stage:** raw material extraction and processing, recycling processes for recycled material input, transport to the manufacturer, manufacturing (including all energy provisions, waste management processes during the product stage up to waste for final disposal):
 - Production of raw materials for PVC-U multilayer pipes with a core of foam and recyclates
 - Transport of PVC-U multilayer pipe raw materials to converter
 - Converting process for PVC-U multilayer pipes with a core of foam and recyclates (extrusion), including packing of the pipes
 - Production of raw materials for PVC-U fittings
 - Transport of PVC-U fittings raw materials to converter
 - Converting process for PVC-U fittings (injection moulding), including packing of the fittings
 - Production of PP manholes (raw materials + converting process)
 - Production of SBR sealings (raw materials + converting process)
- **Construction process stage:** including all energy provisions, waste management processes during the construction stage up to waste for final disposal
 - Transport of PVC-U multilayer sewer pipe system with a core of foam and recyclates to the trench
 - Installation of PVC-U multilayer pipe system with a core of foam and recyclates in the trench
- **Use stage (maintenance and operational use):** including transport and all energy provisions, waste management processes up to waste for final disposal during this use stage
 - Operational use is not relevant for the PVC-U multilayer sewer pipe system with a core of foam and recyclates
 - Maintenance of the PVC-U multilayer sewer pipe system with a core of foam and recyclates during 100 years of service lifetime in the trench
- **End of life stage:** including all energy provisions during the end of life stage
 - Disassembly of PVC-U multilayer sewer pipe system with a core of foam and recyclates after 100 years of reference service lifetime at the trench
 - Transport of PVC-U multilayer sewer pipe system with a core of foam and recyclates after 100 years of reference service lifetime at the trench to an end-of-life treatment
 - End-of-life treatment of PVC-U multilayer pipe system with a core of foam and recyclates after 100 years of reference service lifetime



3.2 Parameters describing environmental impacts

The following environmental parameters are expressed with the impact category parameters of the life cycle impact assessment (LCIA).

Impact category	Abiotic depletion (non-fossil)	Abiotic depletion (fossil fuels)	Acidification	Eutrophication	Global warming	Ozone layer depletion	Photochemical oxidation
	kg Sb eq	MJ	kg SO ₂ eq	kg PO ₄ ⁻⁻⁻ eq	kg CO ₂ eq	kg CFC-11 eq	kg C ₂ H ₄ eq
Product stage	5,97E-05	3,38E+02	4,11E-02	6,54E-03	1,39E+01	4,19E-06	2,87E-03
Construction process stage	9,87E-06	1,00E+02	4,32E-02	9,06E-03	6,53E+00	1,25E-06	1,32E-03
Use stage	3,13E-07	8,49E+00	4,17E-03	8,69E-04	5,62E-01	9,90E-08	1,20E-04
End of life stage	2,82E-07	8,83E-01	2,77E-04	7,80E-05	2,78E-01	1,28E-08	1,02E-05
TOTAL	7,02E-05	4,47E+02	8,87E-02	1,65E-02	2,12E+01	5,55E-06	4,32E-03

3.3 Parameters describing resource input

The following environmental parameters apply data based on the life cycle inventory (LCI).

Environmental parameter	Use of renewable primary energy excluding renewable primary energy resources used as raw materials	Use of renewable primary energy resources used as raw materials	Total use of renewable primary energy resources (primary energy and primary energy resources used as raw materials)	Use of non renewable primary energy excluding non renewable primary energy resources used as raw materials	Use of non renewable primary energy resources used as raw materials	Total use of non renewable primary energy resources (primary energy and primary energy resources used as raw materials)	Use of secondary material	Use of renewable secondary fuels	Use of non renewable secondary fuels	Net use of fresh water
	MJ, net calorific value	MJ, net calorific value	MJ, net calorific value	MJ, net calorific value	MJ, net calorific value	MJ, net calorific value	kg	MJ, net calorific value	MJ, net calorific value	m ³
Product stage	na	na	3,32E+01	na	na	3,84E+02	na	na	na	8,77E-01
Construction process stage	na	na	3,59E+00	na	na	1,06E+02	na	na	na	7,64E-01
Use stage	na	na	1,34E-01	na	na	8,42E+00	na	na	na	1,22E-01
End of life stage	na	na	-1,54E-01	na	na	1,18E-01	na	na	na	-5,77E-04
TOTAL	na	na	3,67E+01	na	na	4,99E+02	na	na	na	1,76E+00

3.4 Parameters describing different waste categories and further output material flows

The parameters describing waste categories and other material flows are output flows derived from the life cycle inventory (LCI):

Parameters describing different waste categories

Environmental parameter	Hazardous waste	Non-hazardous waste	Nuclear waste
	kg	kg	kg
Product stage	1,84E+00	8,46E-01	3,85E-04
Construction stage	5,40E-05	1,92E+00	8,09E-04
Use stage	5,02E-06	1,43E-02	5,73E-05
End of life stage	-4,81E-07	6,80E+00	3,22E-06
TOTAL	1,84E+00	9,58E+00	1,25E-03

Parameters describing further output material flows

Parameter	Parameter unit expressed per functional unit
Components for re-use	6,508 kg
Materials for recycling	0,177 kg
Materials for energy recovery	0,187 kg

4. SCENARIOS AND TECHNICAL INFORMATION

4.1 Construction process stage

Transport from the production gate to the construction site (trench)

Parameter	Parameter unit expressed per functional unit
Fuel type consumption of vehicle or vehicle type used for transport e.g. long distance truck, boat etc.	The PVC-U multilayer sewer pipe system is transported over an average distance of 460 km by means of a truck from the producers of the different pipe system components to the trench. The average loading capacity is 18% with an average actual load of 5,36 tons. The loading factor for PVC-U multilayer pipes is limited by volume. Environmental burdens associated with this kind of transport are calculated by means of the Ecoinvent V3.3 datarecord "Transport, freight, lorry 16-32 metric ton, EURO4 {RER} transport, freight, lorry 16-32 metric ton, EURO4 Alloc Rec, U".
Capacity utilisation (including empty returns)	
Bulk density	
Volume capacity utilisation factor (factor: =1 or <1 or ≥ 1 for compressed or nested packaged products)	

Construction (installation at trench)

Parameter	Parameter unit expressed per functional unit																								
Ancillary materials for installation	0,3 m³ of backfilling sand trucked to trench over an average distance of 10 km. Environmental burdens associated with this kind of energy are calculated by means of the Ecoinvent V3.3 datarecord "Sand {CH} gravel and quarry operation Alloc Rec, U + Transport, freight, lorry >32 metric ton, EURO4 {RER} transport, freight, lorry >32 metric ton, EURO4 Alloc Rec, U" Building hall is excluded from the background dataset for sand due to irregularities related to the impact on abiotic depletion (non-fossil).																								
Other resource consumption	Not relevant																								
Quantitative description of energy type (regional mix) and consumption during the installation process	46 MJ of mechanical energy is needed for excavating the soil (dig up), for excavating the backfilling soil and sand, for the stamping process (compaction next pipe) and for the vibration plate (compaction top). Environmental burdens associated with this kind of energy are calculated by means of the Ecoinvent V3.3 datarecord "Diesel, burned in building machine {GLO} processing Alloc Rec, U"																								
Waste on the building site, generated by the product's installation	0,1 kg of PVC-U pipe left over during installation: 80% to landfill, 15% to incineration and 5% to mechanical recycling. Transportation of PVC-U pipe left over to waste management treatment facilities is included: 600 km to recycling plant, 150 km to incineration with energy recovery and 50 km to landfill. Environmental burdens are calculated by means of the Ecoinvent V3.3 datarecord "Transport, freight, lorry 3.5-7.5 metric ton, EURO4 {RER} transport, freight, lorry 3.5-7.5 metric ton, EURO4 Alloc Rec, U".																								
Output materials as result of waste management processes at the building site e.g. of collection for recycling, for energy recovery, final disposal	0,2 kg of packaging waste: treated according to European average packaging waste scenarios (EU27, 2006): <table border="1" data-bbox="480 1084 1410 1408"> <thead> <tr> <th></th> <th>Recycling</th> <th>Energy Recovery</th> <th>Landfill</th> </tr> </thead> <tbody> <tr> <td>Plastic</td> <td>27%</td> <td>26%</td> <td>47%</td> </tr> <tr> <td>Paper and board</td> <td>75%</td> <td>10%</td> <td>15%</td> </tr> <tr> <td>Wood</td> <td>38%</td> <td>23%</td> <td>39%</td> </tr> <tr> <td>Metals</td> <td>66%</td> <td></td> <td>34%</td> </tr> <tr> <td>Total</td> <td>57%</td> <td>12%</td> <td>31%</td> </tr> </tbody> </table>		Recycling	Energy Recovery	Landfill	Plastic	27%	26%	47%	Paper and board	75%	10%	15%	Wood	38%	23%	39%	Metals	66%		34%	Total	57%	12%	31%
	Recycling	Energy Recovery	Landfill																						
Plastic	27%	26%	47%																						
Paper and board	75%	10%	15%																						
Wood	38%	23%	39%																						
Metals	66%		34%																						
Total	57%	12%	31%																						
Emissions to ambient air, soil and water	No direct emissions at the trench. Emissions are related to the upstream processes (mining of sand, transportation processes and mechanical energy) and downstream processes (waste management and treatment) and are included in the Ecoinvent datarecords that are used for modelling the environmental impacts.																								

4.2 Use stage: operation and maintenance

Operation:

Operational use is not relevant for the EPD, since it falls outside the system boundaries of the LCA project. Moreover, the PVC-U multilayer sewer pipe system with a core of foam and recyclates is a gravity pipe system.

Maintenance:

Energy consumption for jetting: 5,4 kWh per FU

Water consumption for jetting: 0,12 m³ per FU

Maintenance in case of the PVC-U multilayer sewer pipe systems is specifically related to jetting. Jetting happens 4 times in a 100 year service lifetime. One jetting operation needs an energy consumption of 4 litres of gasoline and 3 m³ of water per 100 metres of pipe system.

4.3 End of life

The following end of life scenarios have been taken into account:

- Estimated reference service lifetime of 100 years
- EoL approach for landfill, incineration with energy recovery (impacts and credits are assigned to the life cycle that generates the waste flows)
- Recycled content approach for recycling and use of recyclates (= impact of recycling and credits for recyclates, because less virgin materials are needed is assigned to the life cycle that uses the recyclates)

Processes	Parameter unit expressed per functional unit								
Collection process	<p>After a reference service lifetime of 100 years the PVC-U multilayer sewer pipe system with a core of foam and recyclates might be replaced. In most cases (95%) the pipe system will be left in the ground. In some cases (5%) the pipe system is taken out and treated (landfilled or incinerated).</p> <table border="1" style="width: 100%; border-collapse: collapse;"> <thead> <tr> <th colspan="2" style="background-color: #A9A9A9;">EOL scenario PVC-U pipes</th> </tr> </thead> <tbody> <tr> <td>Mechanical recycling</td> <td style="text-align: center;">2,5%</td> </tr> <tr> <td>Incineration</td> <td style="text-align: center;">2,5%</td> </tr> <tr> <td>Left in ground</td> <td style="text-align: center;">95%</td> </tr> </tbody> </table> <p>The transportation distance of the PVC-U pipe system from the trench to a waste treatment facility depends on the treatment option. For mechanical recycling we assumed an average transportation distance of 600 km and for incineration an average distance of 150 km. Environmental burdens associated with transportation are calculated by means of the following Ecoinvent V3.3 data record "Transport, freight, lorry 3.5-7.5 metric ton, EURO4 {RER} transport, freight, lorry 3.5-7.5 metric ton, EURO4 Alloc Rec, U"</p>	EOL scenario PVC-U pipes		Mechanical recycling	2,5%	Incineration	2,5%	Left in ground	95%
EOL scenario PVC-U pipes									
Mechanical recycling		2,5%							
Incineration		2,5%							
Left in ground	95%								
Recycling system									
Final deposition									

5. ADDITIONAL INFORMATION ON EMISSIONS TO INDOOR AIR, SOIL AND WATER DURING USE STAGE

Emissions to indoor air:

Since the PVC-U multilayer sewer pipe system with a core of foam and recyclates is a buried system (in trench) we can confirm that emissions to indoor air are not relevant.

Emissions to soil and water:

Despite there is no approved European measurement method available, we can confirm that the PVC-U multilayer sewer pipe system with a core of foam and recyclates does not contain any substances mentioned on the REACH-list.

6. OTHER ADDITIONAL INFORMATION

Product certification, conformity, marking

EN 13476-1:2007, Plastics piping systems for non-pressure underground drainage and sewerage - Structured-wall piping systems of unplasticized poly(vinyl chloride) (PVC-U), polypropylene (PP) and polyethylene (PE) - Part 1: General requirements and performance characteristics

EN 13476-2:2007, Plastics piping systems for non-pressure underground drainage and sewerage - Structured-wall piping systems of unplasticized poly(vinyl chloride) (PVC-U), polypropylene (PP) and polyethylene (PE) - Part 2: Specifications for pipes and fittings with smooth internal and external surface and the system, Type A

EN 1295-1, Structural design of buried pipelines under various conditions of loading. Part 1: General requirements

EN 1610, Construction and testing of drains and sewers

ENV 1046, Plastics piping and ducting systems - Systems outside building structures for the conveyance of water or sewage - Practices for installation above and below ground

In compliance with European Construction Products Directive (89/106/EEC)

Other technical product performances

For the full overview of the environmental benefits of plastic pipe systems please refer to the TEPPFA website: <http://www.teppfa.eu>

List of names and logos of TEPPFA member companies



Aliaxis



DYKA



Geberit International



Georg Fischer Piping Systems



LK



Nupi



Pipelife International



Polypipe



Rehau



Radius Systems



Uponor



Wavin

List of National Associations of TEPPFA

ADPP	Czech Republic plastic pipes association
ASETUB	Asociación Española de Fabricantes de Tubos y Accesorios Plásticos
BPF	Plastic Pipes Group
BureauLeiding	Dutch Plastic Pipes Association
DPF	Danish Plastics Federation
FCIO	Fachverband der Chemischen Industrie Österreich
Essencia PolyMatters	Belgian Federation for Chemistry and Life Sciences industries
FIPIF	Finnish Plastics Industries Federation
IPPMA	Irish Plastic Pipe Manufacturers Association
KRV	Kunststoffrohrverband e.V.- Fachverband der Kunststoffrohr-Industrie
MCsSz	Műanyag Csőgyártók Szövetsége
NPG Sweden	Swedish Plastic Pipe Association
PRIK	Polish Association of Pipes and Fittings
STR	Syndicat des Tubes et Raccords
VKR	Verband Kunststoffrohre und Rohrleitungstelle

List of names and logos of TEPPFA
Associated Members



Borealis



ECVM



LyondellBasell



Lubrizol



Molecor

List of names and logos of TEPPFA
Supporting Members



Rollepaal

7. REFERENCES

- Ecoinvent, 2016.** Ecoinvent database v3.3, Swiss Centre for Life Cycle Inventories, Switzerland. From: www.ecoinvent.org
- EN 13476-1:2007,** Plastics piping systems for non-pressure underground drainage and sewerage - Structured-wall piping systems of unplasticized poly(vinyl chloride) (PVC-U), polypropylene (PP) and polyethylene (PE) - Part 1: General requirements and performance characteristics
- EN 13476-2:2007,** Plastics piping systems for non-pressure underground drainage and sewerage - Structured-wall piping systems of unplasticized poly(vinyl chloride) (PVC-U), polypropylene (PP) and polyethylene (PE) - Part 2: Specifications for pipes and fittings with smooth internal and external surface and the system, Type A
- EN 1295-1,** Structural design of buried pipelines under various conditions of loading. Part 1: General requirements
- EN 1610,** Construction and testing of drains and sewers
- ENV 1046,** Plastics piping and ducting systems - Systems outside building structures for the conveyance of water or sewage - Practices for installation above and below ground
- Eurostat, 2006,** Packaging waste scenarios (EU27, 2006)
- ISO 14025:** Environmental Labels and Declarations Type III
- ISO 14040:** Environmental management – Life cycle assessment – Principles and framework
- ISO 14044:** Environmental management – Life cycle assessment – Requirements and guidelines
- EN 15804:2012+A1:2013:** Sustainability of construction works – Environmental product declarations – core rules for the product category of construction products (2013)
- EN 15942:** Sustainability of construction works – Environmental product declarations – Communication format – Business to Business
- Simapro 7.3.0 – LCA Software,** 2011, PRé consultants bv, Amersfoort, The Netherlands

Background LCA report (ISO 14040 and ISO 14044) prepared by

VITO

Flemish Institute for Technological Research
Boeretang 200,
B-2400 Mol, Belgium
Tel.: +32 1 433 55 11
Email: vito@vito.be



External critical review of underlying LCA by

Denkstatt GmbH,
Hietzinger Hauptstraße 28
A-1130 Wien, Austria
Tel.: +43 1 786 89 00
Email: office@denkstatt.at



Visit our website

www.teppfa.eu

TEPPFA Aisbl

71 Kortenberglaan,
Brussels 1000, Belgium

T: +32 2 736 24 06 71

E: info@teppfa.eu

