

## MP-MRI / MP-MR pipe rings

For pipe fastenings in corrosive surroundings  
in the medium-duty diameter range from 2 1/2" to 219 mm



### Fields of application:

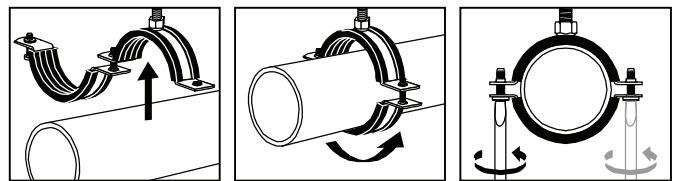
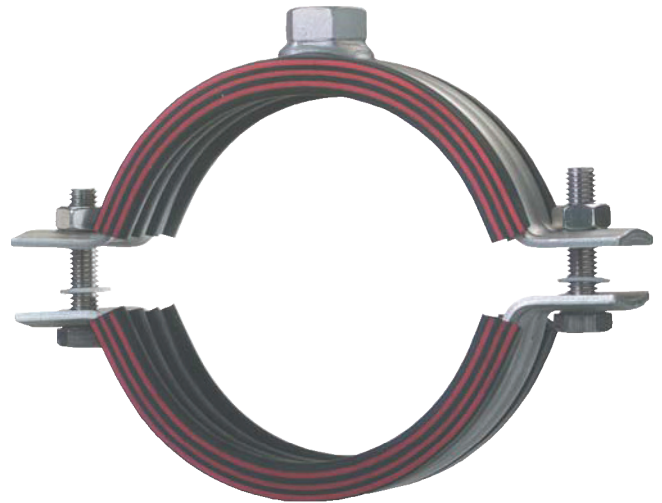
- Heating and industry
- Food industry (except production)
- Water treatment

### Benefits:

- Pipe ring with passive fire prevention verification as per DIN 4102, part 2
- Solid connection boss, welded all round
- Greater stiffness from profiled pipe ring steel band
- Material suitable for pipe diameter. Loads up to 5,000 N
- High resistance to corrosion (A5 stainless steel)
- Clamping bolt secured against loss
- Non-slip (bonded), pre-fitted rubber inlay

### Technical data:

|                                      |   |
|--------------------------------------|---|
| Max permissible load for suspensions |   |
| 68 mm to 3" diameter,                | F <sub>rec.</sub> = 3000 N                    |
| 101.6 mm to 6" diameter,             | F <sub>rec.</sub> = 4000 N                    |
| 177.8 to 219.1 mm                    | F <sub>rec.</sub> = 5000 N                    |
| Pipe ring material:                  | A5 1.4571 / DIN 17441                         |
| Clamping bolts:                      | slotted hexagon head                          |
| Rubber inlay material:               | EPDM  |
| Temperature resistance:              | -50 to +120°C                                 |
| Shore A hardness (DIN53 505):        | 50± 5   |
| Noise reduction:                     | Δ L <sub>A</sub> = 18 dB (A)                  |
| Stability:                           | aging, ozone, weather and hot water resistant |

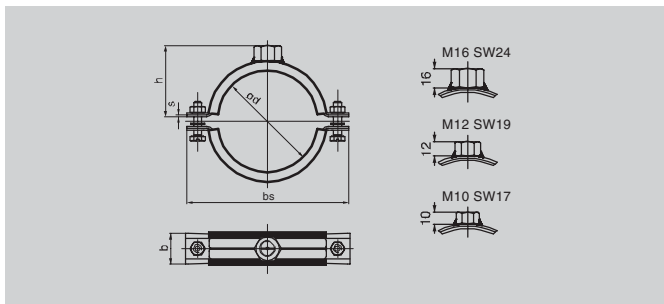


firestop

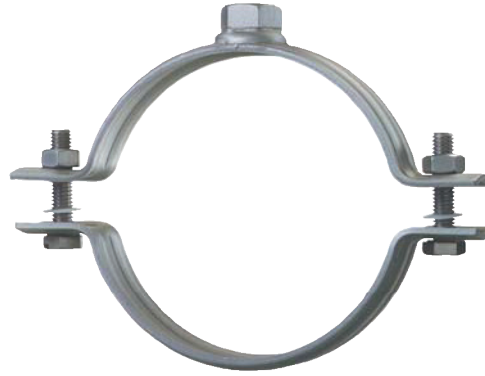
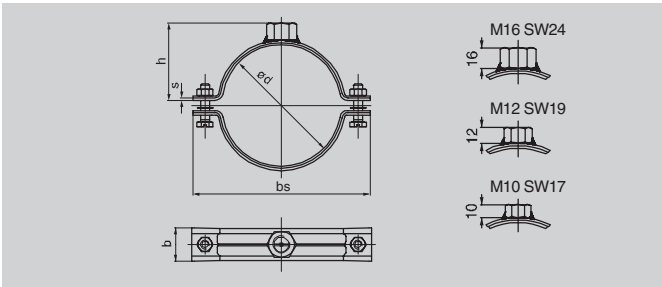


## MP-MRI pipe ring

With metric connection boss  
and insulating inlay as per DIN 4109



| Size (mm/ inch) | Clamping range, d (mm) | Connection thread / width across flats | Clamping bolts | Dimensions bs (mm) b x s (mm) |          | h (mm) | Packaging contents (pcs) | Ordering designation | Item no. |
|-----------------|------------------------|--|----------------|-------------------------------|----------|--------|--------------------------|----------------------|----------|
| 68/72           | 68– 72                 | M10 / SW17                             | M8             | 129                           | 24 x 2.0 | 50     | 10                       | MP-MRI 68/72         | 372044   |
| 2 1/2"          | 70– 77                 | M10 / SW19                             | M8             | 136                           | 24 x 2.0 | 48     | 10                       | MP-MRI 2 1/2"        | 372045   |
| 78/84           | 78– 84                 | M10 / SW19                             | M8             | 145                           | 24 x 2.0 | 54     | 10                       | MP-MRI 78/84         | 372046   |
| 3"              | 82– 90                 | M10 / SW19                             | M8             | 150                           | 24 x 2.0 | 53     | 10                       | MP-MRI 3"            | 372047   |
| 101.6           | 97–103                 | M12 / SW19                             | M8             | 172.5                         | 30 x 2.5 | 64.5   | 5                        | MP-MRI 101.6         | 372048   |
| 4"              | 108–114                | M12 / SW19                             | M8             | 183.5                         | 30 x 2.5 | 70     | 5                        | MP-MRI 4"            | 372049   |
| 117             | 114–119                | M12 / SW19                             | M8             | 189                           | 30 x 2.5 | 73.5   | 5                        | MP-MRI 117           | 372050   |
| 125             | 122–127                | M12 / SW19                             | M8             | 197                           | 30 x 2.5 | 77.5   | 5                        | MP-MRI 125           | 372051   |
| 133             | 132–137                | M12 / SW19                             | M8             | 207                           | 30 x 2.5 | 82.5   | 10                       | MP-MRI 133           | 372052   |
| 5"              | 137–142                | M16 / SW21                             | M8             | 212                           | 30 x 2.5 | 89     | 10                       | MP-MRI 5"            | 372053   |
| 159             | 156–162                | M16 / SW21                             | M8             | 232                           | 30 x 2.5 | 97     | 10                       | MP-MRI 159           | 372054   |
| 6"              | 162–168                | M16 / SW21                             | M8             | 238.5                         | 30 x 2.5 | 101    | 10                       | MP-MRI 6"            | 372055   |
| 177.8           | 175–180                | M16 / SW21                             | M8             | 252.5                         | 30 x 3.0 | 109.5  | 10                       | MP-MRI 177.8         | 372056   |
| 193.7           | 190–200                | M16 / SW21                             | M8             | 271                           | 30 x 3.0 | 115    | 10                       | MP-MRI 193.7         | 372057   |
| 212             | 210–219                | M16 / SW21                             | M8             | 291                           | 30 x 3.0 | 125.5  | 10                       | MP-MRI 212           | 372058   |
| 219.1           | 217–224                | M16 / SW21                             | M8             | 296                           | 30 x 3.0 | 129.5  | 10                       | MP-MRI 219.1         | 372059   |

**MP-MR pipe ring**With metric connection boss  
without insulating inlay

| Size<br>(mm/ inch) | Clamping range,<br>d (mm) | Connection thread /<br>width across flats | Clamping<br>bolts | Dimensions<br>bs (mm) | b × s (mm) | h (mm) | Packaging<br>contents (pcs) | Ordering<br>designation | Item<br>no.   |
|--------------------|---------------------------|---|-------------------|-----------------------|------------|--------|-----------------------------|-------------------------|---------------|
| <b>68/72</b>       | <b>68– 72</b>             | M10 / SW17                                | M8                | 117,5                 | 24 × 2,0   | 43,5   | 10                          | <b>MP-MR 68/72</b>      | <b>374197</b> |
| <b>2½"</b>         | <b>75– 80</b>             | M10 / SW17                                | M8                | 129                   | 24 × 2,0   | 50     | 10                          | <b>MP-MR 2½"</b>        | <b>374198</b> |
| <b>3"</b>          | <b>87– 93</b>             | M10 / SW17                                | M8                | 145                   | 24 × 2,0   | 54     | 10                          | <b>MP-MR 3"</b>         | <b>374200</b> |
| <b>101,6</b>       | <b>97–104</b>             | M12 / SW19                                | M8                | 160                   | 30 × 2,5   | 60     | 5                           | <b>MP-MR 101,6</b>      | <b>374201</b> |
| <b>4"</b>          | <b>109–114</b>            | M12 / SW19                                | M8                | 172,5                 | 30 × 2,5   | 64,5   | 5                           | <b>MP-MR 4"</b>         | <b>374202</b> |
| <b>117</b>         | <b>116–123</b>            | M12 / SW19                                | M8                | 180                   | 30 × 2,5   | 70     | 5                           | <b>MP-MR 117</b>        | <b>374203</b> |
| <b>125</b>         | <b>125–131</b>            | M12 / SW19                                | M8                | 189                   | 30 × 2,5   | 73,5   | 5                           | <b>MP-MR 125</b>        | <b>374204</b> |
| <b>133</b>         | <b>133–138</b>            | M12 / SW19                                | M8                | 197                   | 30 × 2,5   | 77,5   | 10                          | <b>MP-MR 133</b>        | <b>374205</b> |
| <b>5"</b>          | <b>139–145</b>            | M16 / SW21                                | M8                | 202,5                 | 30 × 2,5   | 81,5   | 10                          | <b>MP-MR 5"</b>         | <b>374206</b> |
| <b>159</b>         | <b>156–162</b>            | M16 / SW21                                | M8                | 226                   | 30 × 2,5   | 94     | 10                          | <b>MP-MR 159</b>        | <b>374207</b> |
| <b>6"</b>          | <b>162–168</b>            | M16 / SW21                                | M8                | 232                   | 30 × 2,5   | 97     | 10                          | <b>MP-MR 6"</b>         | <b>374208</b> |
| <b>177,8</b>       | <b>175–180</b>            | M16 / SW21                                | M8                | 242,5                 | 30 × 3,0   | 106,5  | 10                          | <b>MP-MR 177,8</b>      | <b>374209</b> |
| <b>193,7</b>       | <b>190–200</b>            | M16 / SW21                                | M8                | 262                   | 30 × 3,0   | 112    | 10                          | <b>MP-MR 193,7</b>      | <b>374210</b> |
| <b>212</b>         | <b>210–219</b>            | M16 / SW21                                | M8                | 281,5                 | 30 × 3,0   | 122,5  | 10                          | <b>MP-MR 212</b>        | <b>374211</b> |
| <b>219,1</b>       | <b>217–224</b>            | M16 / SW21                                | M8                | 286,5                 | 30 × 3,0   | 126,5  | 10                          | <b>MP-MR 219,1</b>      | <b>374212</b> |