

MPN-S non-insulated pipe ring

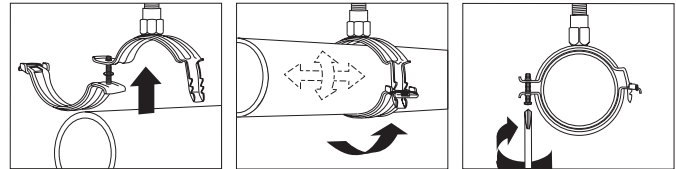
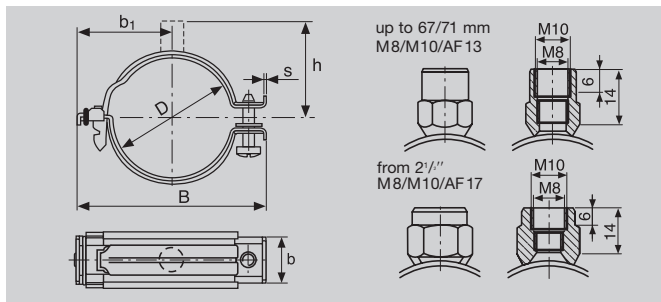
With double connection boss thread M8 / M10

Key features

- A click ensures quick, simple clamping by a quick-locking, three-stage safety closure
- Easier installation, especially over head
- Preclamping, permits simple adjustment of pipes
- Small clamping tabs permit use of insulating materials with minimal thicknesses
- Clamping screw secured against loss, with combination cross recess in head and hexagon head additionally from 101.6 mm size

Loading / technical data

Maximum recommended static load for suspended pipes:
 up to 101.6 mm size max. $F_{rec} = 2000\text{ N}$
 from 110 mm size max. $F_{rec} = 2500\text{ N}$



MPN-S pipe ring

Size	Clamping range D (mm)	Connection boss thread Width across flats (mm)	Dimensions (mm)			b1	Package contents	Outer package contents	Ordering designation	Item no.
			B	H x s	h					
3/8	15 - 19	M8-M10/AF13	56	24 x 1.5	29	29	25	100	MPN-S 3/8	00229811
1/2	20 - 24	M8-M10/AF13	61	24 x 1.5	32	32	25	100	MPN-S 1/2	00229813
3/4	25 - 29	M8-M10/AF13	66	24 x 1.5	34	34	25	100	MPN-S 3/4	00229815
1	30 - 34	M8-M10/AF13	71	24 x 1.5	36	36	25	100	MPN-S 1	00229817
35/39	35 - 39	M8-M10/AF13	74	24 x 1.5	38	38	25	100	MPN-S 35/39	00229819
1 1/4	40 - 46	M8-M10/AF13	80	24 x 1.5	41	41	25	100	MPN-S 1 1/4	00229821
1 1/2	47 - 53	M8-M10/AF13	87	24 x 1.5	44	44	25	100	MPN-S 1 1/2	00229823
54/60	54 - 60	M8-M10/AF13	94	24 x 1.5	48	48	10	50	MPN-S 54/60	00229825
2	60 - 66	M8-M10/AF13	101	24 x 1.5	51	51	10	50	MPN-S 2	00229827
67/71	67 - 71	M8-M10/AF13	107	24 x 1.5	54	54	10	50	MPN-S 67/71	00229830
2 1/2	72 - 77	M8-M10/AF17	113	24 x 1.5	57	57	10	50	MPN-S 2 1/2	00229833
78/84	78 - 84	M8-M10/AF17	119	24 x 1.5	60	60	10	20	MPN-S 78/84	00229836
3	87 - 93	M8-M10/AF17	126	24 x 1.5	64	64	10	20	MPN-S 3	00229839
101.6	99 - 104	M8-M10/AF17	153	24 x 2.0	71	76	10	20	MPN-S 101.6	00229842
110	108 - 112	M8-M10/AF17	160	24 x 2.0	75	79	10	20	MPN-S 110	00229845
4	114 - 118	M8-M10/AF17	167	24 x 2.0	78	83	10	20	MPN-S 4	00229848
125	123 - 128	M8-M10/AF17	174	24 x 2.0	82	86	10	20	MPN-S 125	00229851
133	131 - 137	M8-M10/AF17	184	24 x 2.0	87	91	—	10	MPN-S 133	00229854
5	138 - 144	M8-M10/AF17	193	24 x 2.0	91	96	—	10	MPN-S 5	00229857
160	157 - 163	M8-M10/AF17	212	24 x 2.0	101	105	—	10	MPN-S 160	00229860
6	164 - 170	M8-M10/AF17	219	24 x 2.0	104	109	—	10	MPN-S 6	00229863

All sizes of A4 stainless steel MP-SRN pipe rings available.
Call Customer Services for details.