

MP-SRNI / MP-SRN pipe rings

For fastening pipes up to 64 mm in corrosive surroundings



Fields of application:

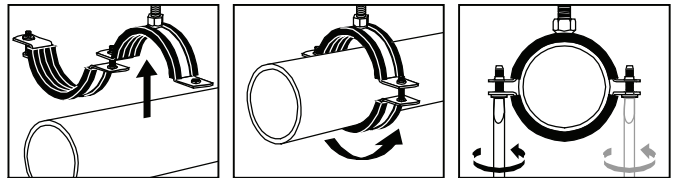
- Heating and industry
- Food industry (except production)
- Water treatment

Benefits:

- Pipe ring with passive fire prevention verification as per DIN 4102, part 2
- Resistance-welded connection boss
- High resistance to corrosion (A5 stainless steel)
- Clamping bolt secured against loss
- Non-slip (bonded), pre-fitted rubber inlay

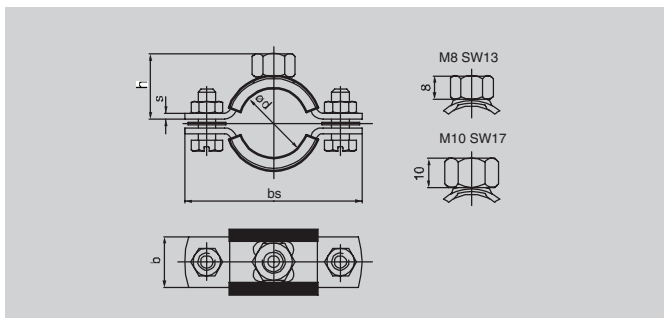
Technical data:

Max permissible tensile load:		$F_{rec} = 1500\text{ N}$
MP-SRNI / MP-SRN up to 64 mm diameter		
Pipe ring material:	A5 1.4571 / DIN 17441	
Clamping bolts:	slotted hexagon head	
Rubber inlay material:	EPDM	
Temperature resistance:	-50°C to +120°C	
Shore A hardness (DIN 53 505):	50 ± 5	
Noise reduction:	$\Delta L_A = 15\text{ dB (A)}$	
Stability:	aging, ozone, weather and hot water resistant	



MP-SRNI pipe ring

With metric connection boss and insulating inlay as per DIN 4109



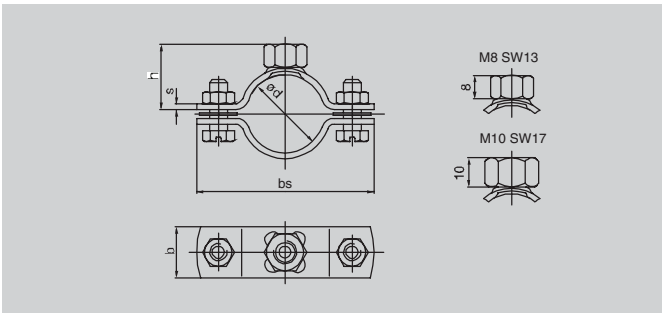
firestop



Size (mm/ inch)	Clamping range, d (mm)	Connection thread / width across flats	Clamping bolts	Dimensions bs (mm) b x s (mm)	h (mm)	Packaging contents (pcs)	Ordering designation	Item no.
3/8"	15.5–18.5	M8 / SW13	M6	55 17.5 x 2	19	25	MP-SRNI 17	374186
1/2"	19.5–22.5	M8 / SW13	M6	61 17.5 x 2	22	25	MP-SRNI 21	374187
3/4"	25.5–28.5	M8 / SW13	M6	68 17.5 x 2	25.5	25	MP-SRNI 27	374188
1"	33.0–37.0	M8 / SW13	M6	76 17.5 x 2	29.5	25	MP-SRNI 34/36	374189
1 1/4"	38.0–44.0	M10 / SW17	M8	82 17.5 x 2	34.5	25	MP-SRNI 38/42	374192
1 1/2"	48.0–52.0	M10 / SW17	M8	91 17.5 x 2	39	25	MP-SRNI 48/50	374193
57	54.0–58.0	M10 / SW17	M8	97 17.5 x 2	42	25	MP-SRNI 57	374194
2"	59.0–64.0	M10 / SW17	M8	102 17.5 x 2	44.5	10	MP-SRNI 60/63	374195

MP-SRN pipe ring

With metric connection boss
without insulating inlay



Size (mm/ inch)	Clamping range, d (mm)	Connection thread / width across flats	Clamping bolts	Dimensions bs (mm)	b × s (mm)	h (mm)	Packaging contents (pcs)	Ordering designation	Item no.
3/8"	15.5–18.5	M8 / SW13	M6	51	17.5 × 2	17	25	MP-SRN 17	254697
1/2"	19.5–22.5	M8 / SW13	M6	55	17.5 × 2	19	25	MP-SRN 21	254698
3/4"	25.5–28.5	M8 / SW13	M6	61	17.5 × 2	22	25	MP-SRN 27	254669
1"	32.5–35.5	M8 / SW13	M6	68	17.5 × 2	25.5	25	MP-SRN 34	254700
36	34.5–37.5	M10 / SW17	M6	70	17.5 × 2	28.8	25	MP-SRN 36	254701
38	36.5–39.5	M10 / SW17	M6	72	17.5 × 2	29.5	25	MP-SRN 38	254702
1 1/4"	40.5–43.5	M10 / SW17	M6	76	17.5 × 2	31.5	25	MP-SRN 42	254703
1 1/2"	46.5–51.5	M10 / SW17	M8	82	17.5 × 2	34.5	25	MP-SRN 48/50	254704
57	55.5–58.5	M10 / SW17	M8	91	17.5 × 2	39	25	MP-SRN 57	254705
2"	58.5–61.5	M10 / SW17	M8	94	17.5 × 2	40.5	10	MP-SRN 60	254706
63	61.5–64.5	M10 / SW17	M8	97	17.5 × 2	42	10	MP-SRN 63	254707