

## MP-HI M8/M10 Twin screw insulated pipe ring

### Applications

- Fresh water distribution pipes
- Heating pipes
- Gas distribution pipes
- Waste water distribution pipes

### Features:

- Securely fixed rubber inlay - no loss of rubber
- Two-screw pipe ring with side swivelling mechanism
- Safe click closure for easy and fast pre-fixing
- Short connection boss for closer installation to wall or ceiling
- Double connection boss
- Clamping range without gaps

### Securely fixed rubber inlay

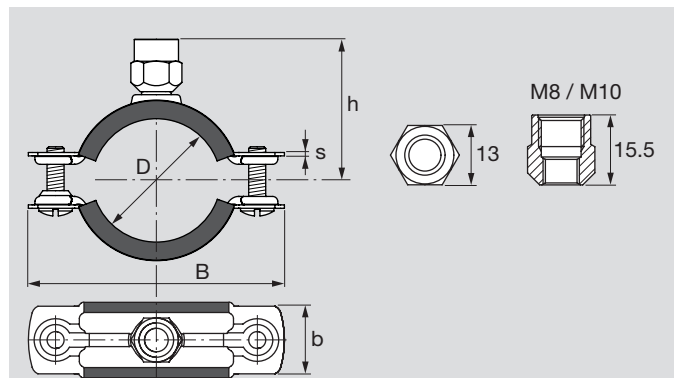
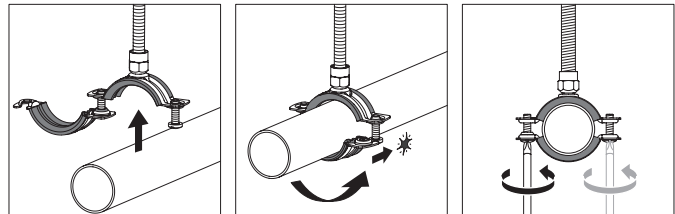
The rubber inlay is glued into the bow increasing work productivity. The pipe can be easily moved and adjusted without any risks of losing the rubber, saving time and worry.

### Safe closure with click

The bow swivels into the screw with a clear indication of safe pre-fixing ("click" sound). Installation can be safely completed up to the final closing.

### Technical data

Recommended static load for suspended installation – F <sub>rec</sub>	
Up to 38 mm	600 N
From 38 mm	800 N
From 66 mm	1200 N
From 110 mm	1500 N
Temperature resistance:	
max. temperature	110° C
min. temperature	-40° C
Pipe ring material	Steel DC01 (accord. DIN EN 10130)
Surface finish	Galvanized
Inlay material	EPDM rubber
Hardness inlay material	40 ± 5 Shore A
Average noise reduction	Δ L = 17 dB (A)
Connection boss thread (mm)	M8/M10
Wrench size (mm)	13
Technical remark	Only for dry indoor applications
Additional information	
Threaded rods must be screwed in fully into the connection boss in order to ensure the achievement of given loads.	
Maximum screw torque of the clamping screw: M5 – 1.0 Nm; M6 – 2.0 Nm	



Clamping range D [mm]	Pipe size [inch]	Distance center pipe to top h [mm]	Pipe ring width B [mm]	Pipe ring material thickness s [mm]	Pipe ring material width b [mm]	Sales package [pcs]	Export package [pcs]	Ordering designation	Item no.
8-12		30	52	1.0	20	25	250	MP-HI 8-12 M8/M10	386402
12-16	1/4	30	52	1.0	20	25	250	MP-HI 12-16 M8/M10	386403
16-20	3/8	32	57	1.0	20	25	250	MP-HI 16-20 M8/M10	386404
20-25	1/2	35	62	1.0	20	25	250	MP-HI 20-25 M8/M10	386405
25-31	3/4	38	69	1.0	20	25	250	MP-HI 25-31 M8/M10	386406
31-38	1	41	76	1.0	20	25	250	MP-HI 31-38 M8/M10	386407
38-45	1 1/4	46	86	1.2	20	25	150	MP-HI 38-45 M8/M10	386408
45-52	1 1/2	49	93	1.2	20	25	150	MP-HI 45-52 M8/M10	386409
52-59		53	100	1.2	20	25	150	MP-HI 52-59 M8/M10	386410
59-66	2	57	108	1.2	20	10	100	MP-HI 59-66 M8/M10	386411
66-75		63	128	1.8	25	10	100	MP-HI 66-75 M8/M10	386412
75-84	2 1/2	67	137	1.8	25	10	100	MP-HI 75-84 M8/M10	386413
84-93	3	72	146	1.8	25	10	100	MP-HI 84-93 M8/M10	386414
93-101		76	155	1.8	25	10	50	MP-HI 93-101 M8/M10	386415
101-110		81	164	1.8	25	10	50	MP-HI 101-110 M8/M10	386416
110-119	4	86	175	2.2	25	10	50	MP-HI 110-119 M8/M10	386417
119-129		91	185	2.2	25	10	40	MP-HI 119-129 M8/M10	386418
129-137		95	193	2.2	25	10	40	MP-HI 129-137 M8/M10	386419
137-145	5	100	203	2.2	25	10	40	MP-HI 137-145 M8/M10	386420
145-155		104	211	2.2	25	10	40	MP-HI 145-155 M8/M10	386421
155-163		109	220	2.2	25	10	40	MP-HI 155-163 M8/M10	386422
163-172	6	113	228	2.2	25	10	40	MP-HI 163-172 M8/M10	386423