

MV System - innovative solutions for the air-conditioning and ventilation trade

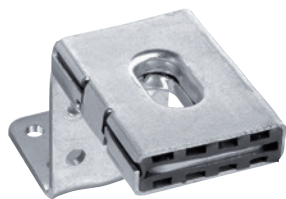
MV-30 Ventilation Channel

This unique channel system has been specifically designed for supporting rectangular ducts, the high rigidity of the system allows for the vast majority of ductwork to be cost effectively supported using MV. The MV system is also easy to handle due to its low weight and being easy to cut on site. The convenience of the system is further improved through the use of DIN standard parts, see opposite page for further details.

Air Duct Angles

These convenient parts may be used to quickly and easily suspend rectangular air ducting either directly or with the use of threaded rod. The range includes parts which have the ability to provide position adjustment and have adaptable hole patterns for attaching using self drilling screws. Testing has demonstrated that the use of self drilling screws with these parts produces virtually no leakage of pressure from the ductwork.

The range also includes built-in noise adsorption materials and parts which accommodate for the addition of insulation.



MV-PI Spiral Duct Clips

These clips are designed to coincide with the diameters of round spiral ducting. They are quick and easy to fit due to the vertical closure system and the securely fixed rubber inlays. All diameters provide noise insulation.



MV-30 ventilation channel

Advantages

- "I" box section for high loads
- One type of channel for most applications
- Easy installation using standard DIN parts *
- Optimized duct installation channel for duct widths of up to 1m
- Low profile and low weight

* For suspension with threaded rods use of the following U-washers is recommended:

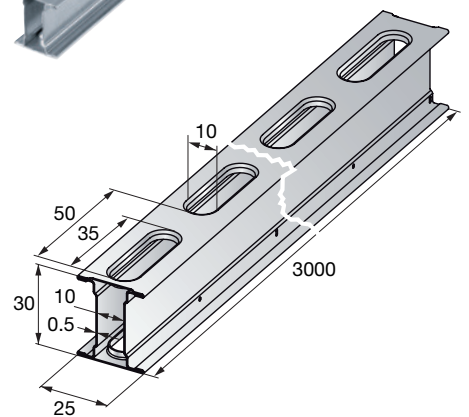
M8: Item no. : 282860 A 8.4–28 or at least DI Ø 8.4 × DA 22
 M10: Item no. : 282862 A10.5–28 or at least DI Ø 10.5 × DA 22



Technical data

Material: DX51D as per DIN EN 10327
 Galvanizing: Sendzimir galvanized, approx. 10 µm

| Channel height [mm] | length [m] | Weight / m [g] | Package contents [m] | Ordering designation | Item no. |
|---------------------|------------|----------------|----------------------|----------------------|---------------|
| 30 | 3 | 490 | 18 | MV-30 3m | 386478 |



MV-RI rubber inlay for MV-30 channel

For the acoustic insulation of air duct supports.

Advantages

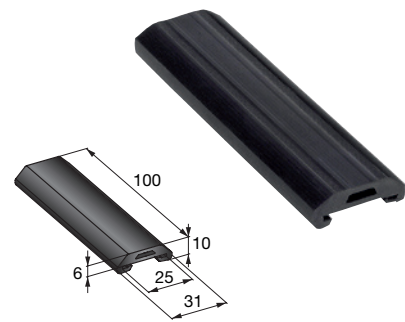
- Easy to fit on the channel
- With wide edge-gripping insulating profile, thus no contact between the duct and the channel
- Large area of contact between channel insulation profile and duct for good dissipation or avoidance of vibration and structure-borne sound

Technical data

| | |
|-------------------------|---|
| Material quality: | EPDM |
| Hardness: | 55° ± 5 shore A |
| Temperature resistance: | -40°C to +110°C |
| Compressive strength: | 6 N/mm ² |
| Resistance to aging: | Tested as per DIN 53509 and 53508 |
| Chemical resistance: | UV light, diluted acids and alkalis, alcohol solutions, water and water-based solutions |
| Limited resistance to: | Hot oil and grease, aliphatic and aromatic hydrocarbons, fuels |
| Noise reduction: | Up to 13 dB |

| For channel (mm) | Weight each (g) | Package contents | Ordering designation | Item no. |
|------------------|-----------------|------------------|----------------------|----------|
| MV-30 | 4300 | 1 * | MV-RI 20m | 386548 |
| MV-30 | 22 | 100 | MV-RI 10cm | 386549 |

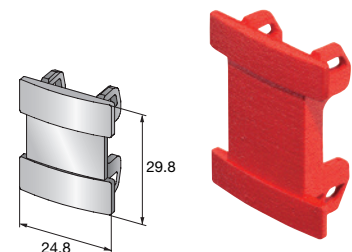
* 1 roll of 20 m



MVZ-E30 channel end cap

Made from polypropylene (PP), suitable for MV-30 channel

| For channel | Weight each (g) | Package contents | Ordering designation | Item no. |
|-------------|-----------------|------------------|----------------------|----------|
| MV-30 | 2 | 50 | MVZ-E30 | 386479 |



Accessories

MVZ-DC ventilation duct clamp

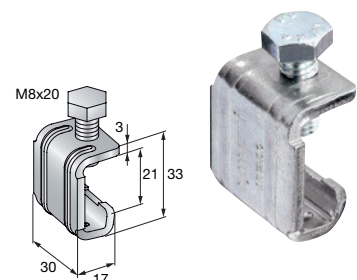
Advantages

- One clamp for 20 mm and 30 mm flanges
- Two strengthening beads running all round for high rigidity
- Easy to install with screws
No preliminary installation and drilling required
- Can also be used as additional fastening with large ducts

Technical data

| | |
|----------------------|--------------------------------|
| Material: | DD11 steel as per DIN EN 10111 |
| Electrogalvanized: | 13 µm |
| Max. clamping width: | 21 mm |
| Tightening torque: | Md = 5 Nm |

| Clamping range (mm) | Recom. tightening torque Md (Nm) | Weight each (g) | Package contents | Ordering designation | Item no. |
|---------------------|----------------------------------|-----------------|------------------|----------------------|----------|
| 20/30 | 5 | 53 | 100 | MVZ-DC | 386557 |



MV-PI spiral duct clips

The solution for folded spiral-seam tubes as per DIN 24 145 / DIN EN 1506.

Advantages

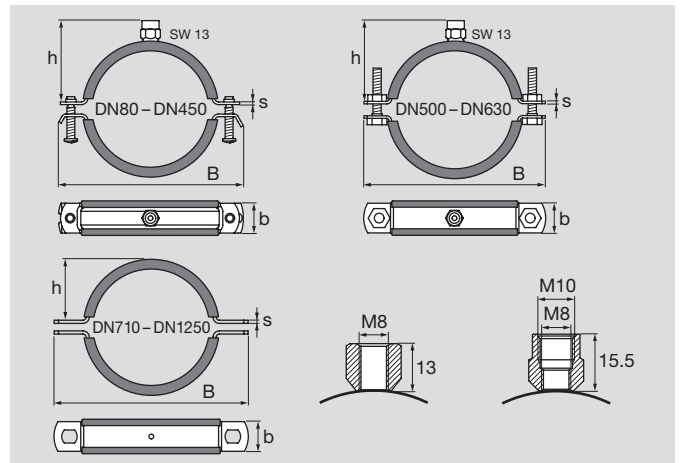
- Click closure: ducts in diameters up to 450 mm can be inserted and fastened quickly and conveniently by way of the vertical quick-lock closure
- Captive acoustic insulation insert; EPDM insert with wide edge-gripping profile (up to 450 mm dia.); adhesive bonded on 500 mm dia. and larger – prevents slippage of rubber insert during installation
- Clamping ranges suitable for all standard sized folded spiral-seam ducts
- Threaded bosses in sizes to suit the application (M8, M/M10)

Technical data

Max. recommended static load for suspension:

| | |
|---------------------|-------------------------|
| Up to size 200 | max. $F_{rec} = 0,7$ kN |
| Up to size 224– 450 | max. $F_{rec} = 1,2$ kN |
| Up to size 500– 800 | max. $F_{rec} = 1,5$ kN |
| Up to size 900–1250 | max. $F_{rec} = 1,5$ kN |

| | |
|--------------------------|--|
| Material: | DD11 steel as per DIN EN 10111 |
| Electrogalvanized: | 13 μ m |
| Rubber profile material: | EPDM |
| Temperature resistance: | -40°C to +110°C |
| Hardness: | 55° \pm 5 shore A |
| Noise reduction: | DN80–DN200 Up to 17 dB DN224–DN1250 Up to 24 dB |



| Nominal diameter | Threaded boss | B [mm] | b [mm] | s [mm] | h [mm] | Closure screw | Weight each [g] | Package contents | Ordering designation | Item no. |
|------------------|---------------|--------|--------|--------|--------|---------------|-----------------|------------------|----------------------|----------|
| 80 | M8 | 131 | 20 | 1.5 | 55 | M6 × 32 | 132 | 25 | MV-PI 80 M8 | 386480 |
| 100 | M8 | 152 | 20 | 1.5 | 65 | M6 × 32 | 154 | 25 | MV-PI 100 M8 | 386481 |
| 125 | M8 | 177 | 20 | 1.5 | 78 | M6 × 32 | 181 | 25 | MV-PI 125 M8 | 386482 |
| 140 | M8 | 192 | 20 | 1.5 | 85 | M6 × 32 | 197 | 25 | MV-PI 140 M8 | 386483 |
| 150 | M8 | 202 | 20 | 1.5 | 90 | M6 × 32 | 208 | 20 | MV-PI 150 M8 | 386484 |
| 160 | M8 | 212 | 20 | 1.5 | 95 | M6 × 32 | 218 | 20 | MV-PI 160 M8 | 386485 |
| 180 | M8 | 232 | 20 | 1.5 | 105 | M6 × 32 | 240 | 15 | MV-PI 180 M8 | 386486 |
| 200 | M8 | 252 | 20 | 1.5 | 122 | M6 × 32 | 261 | 15 | MV-PI 200 M8 | 386487 |
| 224 | M8/M10 | 281 | 25 | 2.0 | 133 | M6 × 42 | 431 | 10 | MV-PI 224 M8/M10 | 386488 |
| 250 | M8/M10 | 307 | 25 | 2.0 | 146 | M6 × 42 | 473 | 10 | MV-PI 250 M8/M10 | 386489 |
| 280 | M8/M10 | 337 | 25 | 2.0 | 161 | M6 × 42 | 522 | 10 | MV-PI 280 M8/M10 | 386490 |
| 300 | M8/M10 | 359 | 25 | 2.0 | 171 | M6 × 42 | 554 | 10 | MV-PI 300 M8/M10 | 386491 |
| 315 | M8/M10 | 374 | 25 | 2.0 | 176 | M6 × 42 | 579 | 10 | MV-PI 315 M8/M10 | 386492 |
| 355 | M8/M10 | 414 | 25 | 2.0 | 198 | M6 × 42 | 645 | 10 | MV-PI 355 M8/M10 | 386493 |
| 400 | M8/M10 | 459 | 25 | 2.0 | 221 | M6 × 42 | 718 | 10 | MV-PI 400 M8/M10 | 386494 |
| 450 | M8/M10 | 509 | 25 | 2.0 | 247 | M6 × 42 | 800 | 10 | MV-PI 450 M8/M10 | 386495 |
| 500 | M8/M10 | 566 | 25 | 2.5 | 267 | M10 × 50 | 1109 | 10 | MV-PI 500 M8/M10 | 386496 |
| 560 | M8/M10 | 626 | 25 | 2.5 | 298 | M10 × 50 | 1224 | 10 | MV-PI 560 M8/M10 | 386497 |
| 600 | M8/M10 | 666 | 25 | 2.5 | 318 | M10 × 50 | 1300 | 10 | MV-PI 600 M8/M10 | 386498 |
| 630 | M8/M10 | 698 | 25 | 2.5 | 333 | M10 × 50 | 1359 | 10 | MV-PI 630 M8/M10 | 386499 |
| 710 | – | 778 | 25 | 2.5 | 357 | Hole 11 × 13 | 1313 | 10 | MV-PI 710 | 386500 |
| 800 | – | 868 | 25 | 2.5 | 402 | Hole 11 × 13 | 1584 | 10 | MV-PI 800 | 386501 |
| 900 | – | 971 | 30 | 3.0 | 451 | Hole 11 × 13 | 2458 | 10 | MV-PI 900 | 386502 |
| 1000 | – | 1071 | 30 | 3.0 | 502 | Hole 11 × 13 | 2723 | 10 | MV-PI 1000 | 386503 |
| 1120 | – | 1192 | 30 | 3.0 | 562 | Hole 11 × 13 | 3040 | 8 | MV-PI 1120 | 386504 |
| 1250 | – | 1322 | 30 | 3.0 | 627 | Hole 11 × 13 | 3383 | 6 | MV-PI 1250 | 386505 |

MV-SI perforated band hanger

The flexible perforated band suspension system.

Advantages

- Easy to use
- Fits all folded spiral-seam tube sizes
- Built-in acoustic insulation piece with through-hole and preassembled U-washer for M8/M10 threaded rods
- Height adjustment possible even after installation
- Insulation piece does not drop out during installation

Technical data

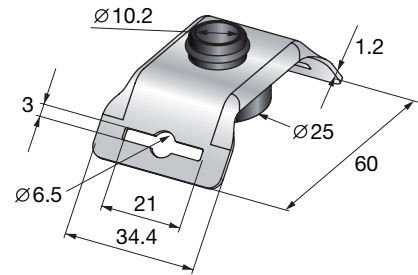
Max. recommended static load for suspension: max. $F_{rec} = 0,6$ kN *

Perforated band fastened by M6 metric screw and M6 hex. nut

| | |
|-------------------------|-------------------------------------|
| Material: | DD11 steel as per DIN EN 10111 |
| Galvanizing: | Sendzimir galvanized, approx. 10 µm |
| Insulation piece: | EPDM |
| Temperature resistance: | -40 °C to +110 °C |
| Hardness: | 60° ± 5 shore A |
| Noise reduction: | Up to 18 dB |

* Load values for MV-SI only. The load values for the selected perforated band must be taken into account.

| For max. band-width [mm] | For max. band-thickness [mm] | Max. load F_{max} [kN] | Weight each [g] | Package contents | Ordering designation | Item no. |
|--------------------------|------------------------------|--------------------------|-----------------|------------------|----------------------|---------------|
| 20 | 2.5 | 0.6 | 29 | 50 | MV-SI | 386530 |



Perforated band

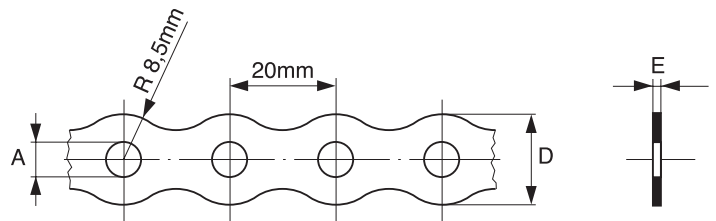
In 10-meter rolls

Advantages

- Matched accessory for use with MV-SI perforated band hanger
- Suitable for universal use
- Good appearance
- Good corrosion resistance
- Punched edges are plastic coated (LBK18)

Technical data

Material: Galvanized steel (LB17) with additional plastic coating (only LBK 18)



| Hole spacing [mm] | Band width D [mm] | Hole dia. A [mm] | Band thickness E [mm] | Max. load F_{max} [kN] | Weight each [g] | Package contents | Ordering designation | Item no. |
|-------------------|-------------------|------------------|-----------------------|--------------------------|-----------------|------------------|----------------------|--------------|
| 21 | 17 | 6.6 | 1.5 | 1.2 | 950 | 1 | LB 17 | 57712 |
| 20 | 17 | 7 | 1.5 | 1.2 | 992 | 1 | LBK18 | 57724 |

MVA-S ventilation duct hanger

For fastening folded spiral-seam tubes in visual range.

Advantages

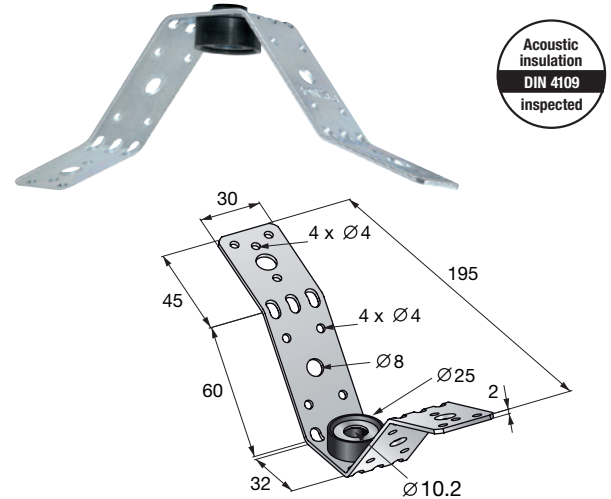
- With predetermined bending points: adapts easily to any duct diameter
- Large distance between fastening points: less deformation of the duct
- Ideal in visual range
- Built-in acoustic insulation piece with through-hole and preassembled U-washer for M8/M10 threaded rods

Fastening

- Self-drilling screws, 4.2 mm dia.
- Blind rivets: other rivets, 4.0 mm dia.

Technical data

| | |
|-------------------------|--------------------------------|
| Material: | DD11 steel as per DIN EN 10111 |
| Electrogalvanized: | 13 µm |
| Insulation piece: | EPDM |
| Temperature resistance: | -40 °C to +110 °C |
| Hardness: | 60° ± 5 shore A |
| Noise reduction: | Up to 18 dB |



| For threaded rod | Max. load F _{max} [kN] | Weight each [g] | Package contents | Ordering designation | Item no. |
|------------------|---------------------------------|-----------------|------------------|----------------------|---------------|
| M8/M10 | 0.6 | 115 | 20 | MVA-S | 386544 |

Hilti S-MS01Z 4.0x13 screws - the high speed screw for mechanical ventilation installation.



MVI-B acoustic insulation buffer

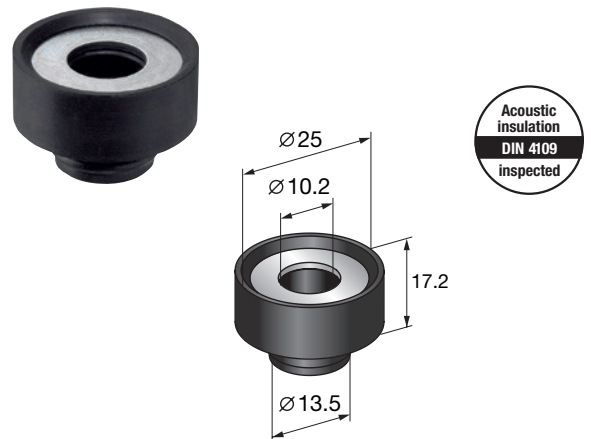
Advantages

- Built-in acoustic insulation piece with through-hole and preassembled U-washer for M8/M10 threaded rods
- The universal acoustic insulation element

Technical data

| | |
|-------------------------|-------------------|
| Insulating element: | EPDM |
| Temperature resistance: | -40 °C to +110 °C |
| Hardness: | 60° ± 5 shore A |
| Noise reduction: | Up to 18 dB |

| For threaded rod | Max. load F _{max} [kN] | Weight each [g] | Package contents | Ordering designation | Item no. |
|------------------|---------------------------------|-----------------|------------------|----------------------|---------------|
| M8/M10 | 0.6 | 11 | 100 | MVI-B | 386556 |



MVA-LC ventilation comfort angle

The exceptional fastening system for rectangular air ducts, suspended and in vertical shafts.

Advantages

- Convenient solution for fastening ventilation ducts directly to ceilings, suspended on threaded rods or in conjunction with MQ system for rising ducts
- Scale for precise alignment and stand-off installation
- Elongated hole allows compensation of dimensional tolerances in the structure and avoidance of rebars during installation
- Rapid installation possible with in-place parts (holes can be drilled through the elongated hole)
- Can be fitted on MQ installation channel or fastened directly to the base material
- Easy subsequent installation of insulation thanks to 30 mm space between the threaded rod and the duct
- Hole size/shape suitable for fastening to ducts using self-drilling screws (4.2, 4.8, 6.3), blind rivets and metric screws / threaded rods (M8)

Technical data

| | |
|-------------------------|--------------------------------|
| Material: | DD11 steel as per DIN EN 10111 |
| Electrogalvanized: | 13 µm |
| Insulation piece: | EPDM |
| Temperature resistance: | -40°C to +110°C |
| Hardness: | 40° ± 5 shore A |
| Noise reduction: | Up to 12 dB |



| Length (L) [mm] | For threaded rod | Max. load F _{max} [kN] | Weight each [g] | Package contents | Ordering designation | Item no. |
|-----------------|------------------|---------------------------------|-----------------|------------------|----------------------|---------------|
| 60 | M8*/M10 | 0.6 | 143 | 25 | MVA-LC 60 | 386533 |
| 100 | M8*/M10 | 0.6 | 154 | 25 | MVA-LC 100 | 386534 |

* U-washer recommended, diameter DI 8.4 x DA at least 18



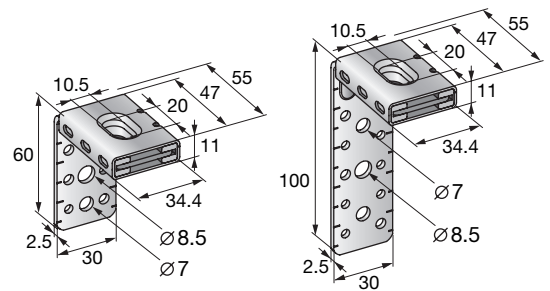
Hilti S-MS01Z 4.0x13 screws - the high speed screw for mechanical ventilation installation.



Item no.
406473



Item no.
406471



MVA-ZC ventilation comfort angle

The easy-to-install suspension system with acoustic insulation for rectangular air ducts.

Advantages

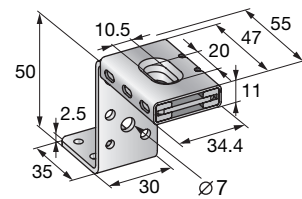
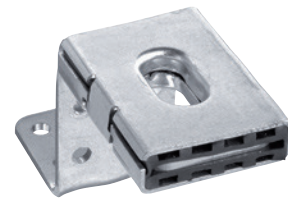
- Elongated hole allows compensation of dimensional tolerances in the structure and avoidance of rebars during installation
- Rapid through-fastening for M8/M10 threaded rods
- Captive acoustic insulation piece
- Height adjustment possible even after installation
- Hole size/shape suitable for self-drilling screws (4.2, 4.8, 6.3) and rivets
- Easy subsequent installation of insulation thanks to 30 mm space between the threaded rod and the duct

Technical data

| | |
|-------------------------|--------------------------------|
| Material: | DD11 steel as per DIN EN 10111 |
| Electrogalvanized: | 13 µm |
| Insulation piece: | EPDM |
| Temperature resistance: | -40°C to +110°C |
| Hardness: | 40° ± 5 shore A |
| Noise reduction: | Up to 12 dB |

| Max. load F _{max} [kN] | For threaded rod | Weight each [g] | Package contents | Ordering designation | Item no. |
|------------------------------------|---------------------|--------------------|---------------------|----------------------|---------------|
| 0.6 | M8*/M10 | 136 | 25 | MVA-ZC | 386531 |

* U-washer recommended, diameter DI 8.4 x DA at least 18



MVA-Z/-L ventilation angle

The compact solution for suspended air ducts.

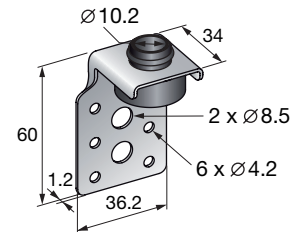
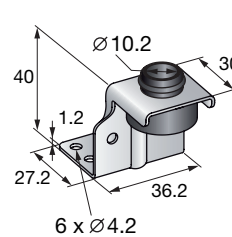
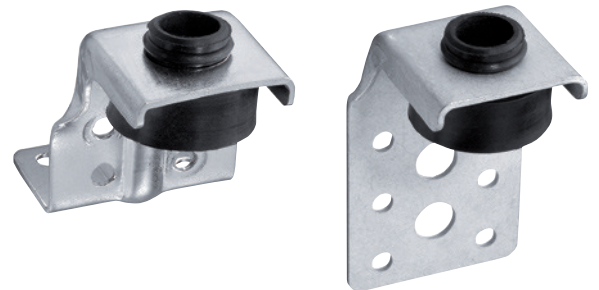
Advantages

- Easy-to-install threaded rod suspension system for ventilation ducts
- Built-in acoustic insulation piece with through-hole and preassembled U-washer for M8/M10 threaded rods
- Height adjustment possible even after installation
- Angle can be covered with insulation (small gap between angle and duct)
- Hole size/shape suitable for self-drilling screws (4.2) and blind rivets

Technical data

| | |
|-------------------------|--------------------------------|
| Material: | DD11 steel as per DIN EN 10111 |
| Galvanized: | Senzimir galvanized, 10 µm |
| Insulation piece: | EPDM |
| Temperature resistance: | -40°C to +110°C |
| Hardness: | 60° ± 5 shore A |
| Noise reduction: | Up to 18 dB |

| Length [mm] | Max. load F _{max} [kN] | For threaded rod | Weight each [g] | Package contents | Ordering designation | Item no. |
|-------------|------------------------------------|---------------------|--------------------|---------------------|----------------------|---------------|
| 40 | 0.5 | M8/M10 | 38 | 50 | MVA-Z | 386532 |
| 60 | 0.5 | M8/M10 | 37 | 50 | MVA-L | 386535 |

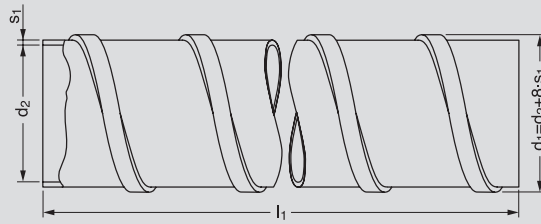


Hilti S-MS01Z 4.0x13 screws - the high speed screw for mechanical ventilation installation.



Table of duct sizes

Folded spiral-seam tube, sizes and dimensions as per DIN 24 145 / DIN EN 1506.



| rings | DN | d_1 [mm] | d_2 [mm] | S_1 [mm] | Weight empty ~ kg/m for S_1^* | | | | | |
|-------------------|-------------|---------------|---------------|---------------|---------------------------------|-------------|-------------|-------------|-------------|-------------|
| | | | | | 0,4 [mm] | 0,5 [mm] | 0,6 [mm] | 0,8 [mm] | 1,0 [mm] | 1,2 [mm] |
| MV-PI / -PIF 80 | 80 | 83.2 | 80 | 0.4 | 0.85 | 1.13 | 1.35 | | | |
| MV-PI / -PIF 100 | 100 | 104.8 | 100 | 0.6 | 1.08 | 1.41 | 1.61 | 2.25 | | |
| MV-PI / -PIF 125 | 125 | 129.8 | 125 | 0.6 | 1.36 | 1.76 | 2.05 | 2.81 | | |
| MV-PI / -PIF 140 | | | * | * | 1.52 | 1.97 | 2.36 | 3.15 | | |
| MV-PI / -PIF 150 | 150 | 154.8 | 150 | 0.6 | | 2.11 | 2.47 | 3.38 | | |
| MV-PI / -PIF 160 | 160 | 164.8 | 160 | 0.6 | | 2.25 | 2.65 | 3.60 | | |
| MV-PI / -PIF 180 | | | * | * | | 2.53 | 3.07 | 4.05 | | |
| MV-PI / -PIF 200 | 200 | 204.8 | 200 | 0.6 | | 2.81 | 3.36 | 4.50 | 5.63 | |
| MV-PI / -PIF 224 | | | * | * | | 3.15 | 3.78 | 5.04 | 6.30 | |
| MV-PI / -PIF 250 | 250 | 254.8 | 250 | 0.6 | | 3.52 | 4.20 | 5.63 | 7.03 | |
| MV-PI / -PIF 280 | | | * | * | | 3.94 | 4.73 | 6.30 | 7.88 | |
| MV-PI / -PIF 300 | 300 | 306.4 | 300 | 0.8 | | 4.22 | 5.06 | 6.73 | 8.44 | |
| MV-PI / -PIF 315 | 315 | 321.4 | 315 | 0.8 | | 4.43 | 5.32 | 7.07 | 8.86 | |
| MV-PI / -PIF 355 | 355 | 361.4 | 355 | 0.8 | | 4.99 | 5.99 | 7.35 | 10.00 | |
| MV-PI / -PIF 400 | 400 | 406.4 | 400 | 0.8 | | 5.63 | 6.75 | 8.25 | 11.25 | 13.77 |
| MV-PI / -PIF 450 | 450 | 456.4 | 450 | 0.8 | | | 7.60 | 9.35 | 12.66 | 15.49 |
| MV-PI / -PIF 500 | 500 | 506.4 | 500 | 0.8 | | | 8.44 | 10.40 | 14.06 | 17.21 |
| MV-PI / -PIF 560 | 560 | 566.4 | 560 | 0.8 | | | 9.46 | 11.70 | 15.75 | 19.28 |
| MV-PI / -PIF 600 | | | * | * | | | 10.13 | 13.50 | 16.82 | 20.65 |
| MV-PI / -PIF 630 | 630 | 638.0 | 630 | 1.0 | | | 10.64 | 14.18 | 16.50 | 21.69 |
| MV-PI / -PIF 710 | 710 | 718.0 | 710 | 1.0 | | | | 15.98 | 18.60 | 24.44 |
| MV-PI / -PIF 800 | 800 | 808.0 | 800 | 1.0 | | | | 18.01 | 21.00 | 27.54 |
| MV-PI / -PIF 900 | 900 | 908.0 | 900 | 1.0 | | | | 20.26 | 24.60 | 30.98 |
| MV-PI / -PIF 1000 | 1000 | 1009.6 | 1000 | 1.2 | | | | 22.51 | 28.13 | 31.50 |
| MV-PI 1120 | 1120 | 1129.6 | 1120 | 1.2 | | | | | 31.51 | 35.20 |
| MV-PI 1250 | 1250 | 1259.6 | 1250 | 1.2 | | | | | 35.17 | 39.40 |

* Intermediate sizes and sheet metal thicknesses not covered by the standard are possible (e.g. transportation of solids or aggressive vapors)

Weights and selection of channel without insulation

Rectangular-section ventilation duct as per DIN 24190 (galvanized, folded seam)

The weights given are guide values. Information provided by suppliers must be observed.

Weight in [kg per meter length] depending on width / height and sheet metal thickness [mm].
Duct connecting parts (frames) are to be taken into account by an average correction factor.

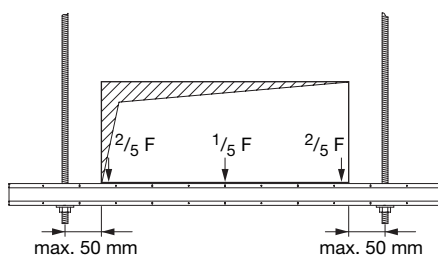
| Sheet 0.75 | | | Sheet 0.88 | | | | | | Sheet 1.0 | | | | | | Sheet 1.13 | | | | | | Sheet 1.25 | | | | B / H |
|------------|-----|-----|------------|------|------|------|------|------|-----------|------|------|------|------|------|------------|------|-------|-------|-------|-------|------------|-------|-------|-------|-------|
| 200 | 224 | 250 | 280 | 315 | 355 | 400 | 450 | 500 | 560 | 630 | 710 | 800 | 900 | 1000 | 1120 | 1250 | 1400 | 1600 | 1800 | 2000 | 2240 | 2500 | 2800 | 3150 | |
| 6.1 | 6.4 | 6.8 | 8.3 | 8.9 | 9.6 | 10.4 | 11.2 | 12.1 | 14.9 | 16.3 | 17.9 | 19.6 | 21.6 | 23.6 | 29.3 | 32.2 | 35.5 | 39.9 | 44.4 | 48.8 | 69.4 | 76.8 | 85.4 | 95.3 | 200 |
| | 6.8 | 7.1 | 8.7 | 9.3 | 10.0 | 10.8 | 11.6 | 12.5 | 15.4 | 16.8 | 18.3 | 20.1 | 22.1 | 24.0 | 29.8 | 32.7 | 36.0 | 40.4 | 44.9 | 49.3 | 70.1 | 77.5 | 86.1 | 96.0 | 224 |
| | | 7.4 | 9.2 | 9.8 | 10.4 | 11.2 | 12.1 | 13.0 | 15.9 | 17.3 | 18.8 | 20.6 | 22.6 | 24.5 | 30.4 | 33.3 | 36.6 | 41.0 | 45.5 | 49.9 | 70.9 | 78.3 | 86.8 | 96.8 | 250 |
| | | | 9.7 | 10.3 | 11.0 | 11.7 | 12.6 | 13.5 | 16.5 | 17.9 | 19.4 | 21.2 | 23.2 | 25.1 | 31.0 | 33.9 | 37.3 | 41.7 | 46.1 | 50.6 | 71.7 | 79.1 | 87.6 | 97.6 | 280 |
| | | | | 10.9 | 11.6 | 12.3 | 13.2 | 14.1 | 17.2 | 18.5 | 20.1 | 21.9 | 23.8 | 25.8 | 31.8 | 34.7 | 38.0 | 42.5 | 46.9 | 51.3 | 72.7 | 80.1 | 88.6 | 98.6 | 315 |
| | | | | | 12.3 | 13.0 | 13.9 | 14.8 | 18.0 | 19.3 | 20.9 | 22.7 | 24.6 | 26.6 | 32.7 | 35.6 | 38.9 | 43.4 | 47.8 | 52.2 | 73.8 | 81.2 | 89.8 | 99.7 | 355 |
| | | | | | | 13.8 | 14.7 | 15.5 | 18.8 | 20.2 | 21.8 | 23.6 | 25.5 | 27.5 | 33.7 | 36.6 | 39.9 | 44.4 | 48.8 | 53.2 | 75.1 | 82.5 | 91.1 | 101.0 | 400 |
| | | | | | | | 15.5 | 16.4 | 19.8 | 21.2 | 22.8 | 24.5 | 26.5 | 28.5 | 34.8 | 37.7 | 41.0 | 45.5 | 49.9 | 54.3 | 76.5 | 83.9 | 92.5 | 102.4 | 450 |
| | | | | | | | | 17.3 | 20.8 | 22.2 | 23.7 | 25.5 | 27.5 | 29.4 | 35.9 | 38.8 | 42.1 | 46.6 | 51.0 | 55.4 | 78.0 | 85.4 | 93.9 | 103.9 | 500 |
| | | | | | | | | | 22.0 | 23.4 | 24.9 | 26.7 | 28.7 | 30.6 | 37.3 | 40.1 | 43.5 | 47.9 | 52.3 | 56.8 | 79.7 | 87.1 | 95.6 | 105.6 | 560 |
| | | | | | | | | | | 24.7 | 26.3 | 28.1 | 30.0 | 32.0 | 38.8 | 41.7 | 45.0 | 49.5 | 53.9 | 58.3 | 81.7 | 89.1 | 97.6 | 107.6 | 630 |
| | | | | | | | | | | | 27.9 | 29.6 | 31.6 | 33.6 | 40.6 | 43.5 | 46.8 | 51.2 | 55.7 | 60.1 | 83.9 | 91.3 | 99.9 | 109.8 | 710 |
| | | | | | | | | | | | | 31.4 | 33.4 | 35.3 | 42.6 | 45.5 | 48.8 | 53.2 | 57.7 | 62.1 | 86.5 | 93.9 | 102.4 | 112.4 | 800 |
| | | | | | | | | | | | | | 35.3 | 37.3 | 44.8 | 47.7 | 51.0 | 55.4 | 59.9 | 64.3 | 89.4 | 96.8 | 105.3 | 115.2 | 900 |
| | | | | | | | | | | | | | | 39.3 | 47.0 | 49.9 | 53.2 | 57.7 | 62.1 | 66.5 | 92.2 | 99.6 | 108.1 | 118.1 | 1000 |
| | | | | | | | | | | | | | | | 49.7 | 52.6 | 55.9 | 60.3 | 64.8 | 69.2 | 95.6 | 103.0 | 111.5 | 121.5 | 1120 |
| | | | | | | | | | | | | | | | 52.6 | 55.4 | 58.8 | 63.2 | 67.6 | 72.1 | 99.3 | 106.7 | 115.2 | 125.2 | 1250 |
| | | | | | | | | | | | | | | | 55.9 | 58.8 | 62.1 | 66.5 | 71.0 | 75.4 | 103.6 | 111.0 | 119.5 | 129.5 | 1400 |
| | | | | | | | | | | | | | | | 60.3 | 63.2 | 66.5 | 71.0 | 75.4 | 79.8 | 109.3 | 116.7 | 125.2 | 135.2 | 1600 |
| | | | | | | | | | | | | | | | 64.8 | 67.6 | 71.0 | 75.4 | 79.8 | 84.3 | 115.0 | 122.4 | 130.9 | 140.9 | 1800 |
| | | | | | | | | | | | | | | | 69.2 | 72.1 | 75.4 | 79.8 | 84.3 | 88.7 | 120.7 | 128.1 | 136.6 | 146.5 | 2000 |
| | | | | | | | | | | | | | | | 74.5 | 77.4 | 80.7 | 85.2 | 89.6 | 94.0 | 127.5 | 134.9 | 143.4 | 153.4 | 2240 |
| | | | | | | | | | | | | | | | 80.3 | 83.2 | 86.5 | 90.9 | 95.4 | 99.8 | 134.9 | 142.3 | 150.8 | 160.8 | 2500 |
| | | | | | | | | | | | | | | | 86.9 | 89.8 | 93.1 | 97.6 | 102.0 | 106.4 | 143.4 | 150.8 | 159.4 | 169.3 | 2800 |
| | | | | | | | | | | | | | | | 94.7 | 97.6 | 100.9 | 105.3 | 109.8 | 114.2 | 153.4 | 160.8 | 169.3 | 179.3 | 3150 |

Channel selection table: Weights given apply to a span of 3.0 meters between fastening points.

Weight in [kg per meter length] depending on width / height and sheet metal thickness [mm].
Duct connecting parts (frames) are to be taken into account by an average correction factor.

| Sheet 0.75 | | | Sheet 0.88 | | | | | | Sheet 1.0 | | | | | | Sheet 1.13 | | | | | | Sheet 1.25 | | | | B / H |
|------------|------|------|------------|------|------|------|------|------|-----------|------|------|------|-------|-------|------------|-------|-------|-------|-------|-------|------------|-------|-------|-------|-------|
| 200 | 224 | 250 | 280 | 315 | 355 | 400 | 450 | 500 | 560 | 630 | 710 | 800 | 900 | 1000 | 1120 | 1250 | 1400 | 1600 | 1800 | 2000 | 2240 | 2500 | 2800 | 3150 | |
| 18,4 | 19,3 | 20,4 | 24,9 | 26,7 | 28,8 | 31,1 | 33,7 | 36,3 | 44,8 | 48,9 | 53,6 | 58,9 | 64,8 | 70,7 | 87,8 | 96,5 | 106,4 | 119,8 | 133,1 | 146,4 | 208,3 | 230,5 | 256,1 | 286,0 | 200 |
| | 20,3 | 21,3 | 26,1 | 27,9 | 30,0 | 32,3 | 34,9 | 37,5 | 46,2 | 50,3 | 55,0 | 60,3 | 66,2 | 72,1 | 89,4 | 98,1 | 108,0 | 121,3 | 134,7 | 148,0 | 210,3 | 232,5 | 258,2 | 288,0 | 224 |
| | | 22,3 | 27,5 | 29,3 | 31,4 | 33,7 | 36,3 | 38,9 | 47,7 | 51,8 | 56,5 | 61,8 | 67,7 | 73,6 | 91,1 | 99,8 | 109,8 | 123,1 | 136,4 | 149,7 | 212,6 | 234,8 | 260,4 | 290,3 | 250 |
| | | | 29,0 | 30,8 | 32,9 | 35,2 | 37,8 | 40,4 | 49,5 | 53,6 | 58,3 | 63,6 | 69,5 | 75,4 | 93,1 | 101,8 | 111,8 | 125,1 | 138,4 | 151,7 | 215,1 | 237,3 | 262,9 | 292,8 | 280 |
| | | | | 32,6 | 34,7 | 37,0 | 39,6 | 42,2 | 51,5 | 55,6 | 60,4 | 65,7 | 71,5 | 77,4 | 95,5 | 104,1 | 114,1 | 127,4 | 140,7 | 154,0 | 218,1 | 240,3 | 265,9 | 295,8 | 315 |
| | | | | | 36,8 | 39,1 | 41,7 | 44,3 | 53,9 | 58,0 | 62,7 | 68,0 | 73,9 | 79,8 | 98,1 | 106,8 | 116,8 | 130,1 | 143,4 | 156,7 | 221,5 | 243,7 | 269,3 | 299,2 | 355 |
| | | | | | | 41,5 | 44,0 | 46,6 | 56,5 | 60,6 | 65,4 | 70,7 | 76,5 | 82,4 | 101,1 | 109,8 | 119,8 | 133,1 | 146,4 | 159,7 | 225,4 | 247,6 | 273,2 | 303,1 | 400 |
| | | | | | | | 46,6 | 49,2 | 59,5 | 63,6 | 68,3 | 73,6 | 79,5 | 85,4 | 104,5 | 113,1 | 123,1 | 136,4 | 149,7 | 163,0 | 229,6 | 251,8 | 277,4 | 307,3 | 450 |
| | | | | | | | | 51,8 | 62,4 | 66,5 | 71,2 | 76,5 | 82,4 | 88,3 | 107,8 | 116,4 | 126,4 | 139,7 | 153,0 | 166,3 | 233,9 | 256,1 | 281,7 | 311,6 | 500 |
| | | | | | | | | | 65,9 | 70,1 | 74,8 | 80,1 | 86,0 | 91,9 | 111,7 | 120,4 | 130,4 | 143,7 | 157,0 | 170,3 | 239,0 | 261,2 | 286,8 | 316,7 | 560 |
| | | | | | | | | | | 74,2 | 78,9 | 84,2 | 90,1 | 96,0 | 116,4 | 125,1 | 135,1 | 148,4 | 161,7 | 175,0 | 245,0 | 267,2 | 292,8 | 322,7 | 630 |
| | | | | | | | | | | | 83,6 | 88,9 | 94,8 | 100,7 | 121,8 | 130,4 | 140,4 | 153,7 | 167,0 | 180,3 | 251,8 | 274,0 | 299,6 | 329,5 | 710 |
| | | | | | | | | | | | | 94,2 | 100,1 | 106,0 | 127,7 | 136,4 | 146,4 | 159,7 | 173,0 | 186,3 | 259,5 | 281,7 | 307,3 | 337,2 | 800 |
| | | | | | | | | | | | | | 106,0 | 111,9 | 134,4 | 143,0 | 153,0 | 166,3 | 179,6 | 192,9 | 268,1 | 290,3 | 315,9 | 345,7 | 900 |
| | | | | | | | | | | | | | | 117,8 | 141,1 | 149,7 | 159,7 | 173,0 | 186,3 | 199,6 | 276,6 | 298,8 | 324,4 | 354,3 | 1000 |
| | | | | | | | | | | | | | | | 149,0 | 157,7 | 167,7 | 181,0 | 194,3 | 207,6 | 286,8 | 309,0 | 334,6 | 364,5 | 1120 |
| | | | | | | | | | | | | | | | 157,7 | 166,3 | 176,3 | 189,6 | 202,9 | 216,2 | 297,9 | 320,1 | 345,7 | 375,6 | 1250 |
| | | | | | | | | | | | | | | | 167,7 | 176,3 | 186,3 | 199,6 | 212,9 | 226,2 | 310,7 | 332,9 | 358,5 | 388,4 | 1400 |
| | | | | | | | | | | | | | | | 181,0 | 189,6 | 199,6 | 212,9 | 226,2 | 239,5 | 327,8 | 350,0 | 375,6 | 405,5 | 1600 |
| | | | | | | | | | | | | | | | 194,3 | 202,9 | 212,9 | 226,2 | 239,5 | 252,8 | 344,9 | 367,1 | 392,7 | 422,6 | 1800 |
| | | | | | | | | | | | | | | | 207,6 | 216,2 | 226,2 | 239,5 | 252,8 | 266,1 | 362,0 | 384,2 | 409,8 | 439,6 | 2000 |
| | | | | | | | | | | | | | | | 223,5 | 232,2 | 242,2 | 255,5 | 268,8 | 282,1 | 382,5 | 404,6 | 430,3 | 460,1 | 2240 |
| | | | | | | | | | | | | | | | 240,8 | 249,5 | 259,5 | 272,8 | 286,1 | 299,4 | 404,6 | 426,8 | 452,5 | 482,3 | 2500 |
| | | | | | | | | | | | | | | | 260,8 | 269,4 | 279,4 | 292,7 | 306,0 | 319,3 | 430,3 | 452,5 | 478,1 | 507,9 | 2800 |
| | | | | | | | | | | | | | | | 284,1 | 292,7 | 302,7 | 316,0 | 329,3 | 342,6 | 460,1 | 482,3 | 507,9 | 537,8 | 3150 |

- MV 30
- MQ-31
- MQ-41
- MQ-41/3
- MQ-52
- MQ-72



Weights and selection of channel with insulation

Rectangular-section ventilation duct as per DIN 24190 (galvanized, folded seam) with insulation (30 mm alu foil-backed mineral wool) The weights given are guide values. Information provided by suppliers must be observed.

Weight in [kg per meter length] depending on width / height and sheet metal thickness [mm].
Duct connecting parts (frames) are to be taken into account by an average correction factor.

| Sheet 0.75 | | | Sheet 0.88 | | | | | | Sheet 1.0 | | | | | | Sheet 1.13 | | | | | | Sheet 1.25 | | | | | B / H | | | | | |
|------------|-----|-----|------------|------|------|------|------|------|-----------|------|------|------|------|------|------------|------|------|------|------|------|------------|-------|-------|-------|-------------|-------------|-------------|-------------|-------------|-------------|-------------|
| 200 | 224 | 250 | 280 | 315 | 355 | 400 | 450 | 500 | 560 | 630 | 710 | 800 | 900 | 1000 | 1120 | 1250 | 1400 | 1600 | 1800 | 2000 | 2240 | 2500 | 2800 | 3150 | | | | | | | |
| 7.6 | 8.0 | 8.4 | 10.0 | 10.7 | 11.6 | 12.5 | 13.6 | 14.6 | 17.7 | 19.3 | 21.1 | 23.2 | 25.5 | 27.9 | 34.0 | 37.4 | 41.2 | 46.4 | 51.6 | 56.7 | 78.2 | 86.6 | 96.2 | 107.4 | 200 | | | | | | |
| | 8.4 | 8.8 | 10.5 | 11.2 | 12.1 | 13.0 | 14.1 | 15.1 | 18.2 | 19.8 | 21.7 | 23.8 | 26.1 | 28.4 | 34.6 | 38.0 | 41.9 | 47.0 | 52.2 | 57.3 | 79.0 | 87.3 | 96.9 | 108.2 | 224 | | | | | | |
| | | 9.2 | 11.1 | 11.8 | 12.6 | 13.6 | 14.6 | 15.7 | 18.8 | 20.4 | 22.3 | 24.4 | 26.7 | 29.0 | 35.3 | 38.7 | 42.5 | 47.7 | 52.8 | 58.0 | 79.8 | 88.2 | 97.8 | 109.0 | 250 | | | | | | |
| | | | 11.7 | 12.4 | 13.3 | 14.2 | 15.2 | 16.3 | 19.5 | 21.1 | 23.0 | 25.1 | 27.4 | 29.7 | 36.1 | 39.4 | 43.3 | 48.5 | 53.6 | 58.8 | 80.8 | 89.1 | 98.7 | 110.0 | 280 | | | | | | |
| | | | | 13.1 | 14.0 | 14.9 | 16.0 | 17.0 | 20.3 | 21.9 | 23.8 | 25.9 | 28.2 | 30.5 | 37.0 | 40.3 | 44.2 | 49.4 | 54.5 | 59.7 | 81.9 | 90.2 | 99.9 | 111.1 | 315 | | | | | | |
| | | | | | 14.8 | 15.8 | 16.8 | 17.8 | 21.3 | 22.9 | 24.7 | 26.8 | 29.1 | 31.5 | 38.0 | 41.4 | 45.2 | 50.4 | 55.5 | 60.7 | 83.2 | 91.5 | 101.1 | 112.4 | 355 | | | | | | |
| | | | | | | 16.7 | 17.7 | 18.8 | 22.3 | 23.9 | 25.8 | 27.9 | 30.2 | 32.5 | 39.2 | 42.5 | 46.4 | 51.6 | 56.7 | 61.9 | 84.6 | 93.0 | 102.6 | 113.8 | 400 | | | | | | |
| | | | | | | | 18.8 | 19.8 | 23.5 | 25.1 | 26.9 | 29.0 | 31.4 | 33.7 | 40.5 | 43.8 | 47.7 | 52.8 | 58.0 | 63.2 | 86.2 | 94.6 | 104.2 | 115.4 | 450 | | | | | | |
| | | | | | | | | 20.9 | 24.6 | 26.2 | 28.1 | 30.2 | 32.5 | 34.8 | 41.8 | 45.1 | 49.0 | 54.1 | 59.3 | 64.4 | 87.8 | 96.2 | 105.8 | 117.0 | 500 | | | | | | |
| | | | | | | | | | 26.0 | 27.6 | 29.5 | 31.6 | 33.9 | 36.2 | 43.3 | 46.7 | 50.5 | 55.7 | 60.8 | 66.0 | 89.8 | 98.1 | 107.7 | 118.9 | 560 | | | | | | |
| | | | | | | | | | | 29.3 | 31.1 | 33.2 | 35.5 | 37.9 | 45.1 | 48.5 | 52.3 | 57.5 | 62.6 | 67.8 | 92.0 | 100.3 | 110.0 | 121.2 | 630 | | | | | | |
| | | | | | | | | | | | 33.0 | 35.1 | 37.4 | 39.7 | 47.2 | 50.5 | 54.4 | 59.5 | 64.7 | 69.9 | 94.6 | 102.9 | 112.5 | 123.7 | 710 | | | | | | |
| | | | | | | | | | | | | 37.2 | 39.5 | 41.8 | 49.5 | 52.8 | 56.7 | 61.9 | 67.0 | 72.2 | 97.5 | 105.8 | 115.4 | 126.6 | 800 | | | | | | |
| | | | | | | | | | | | | | 41.8 | 44.1 | 52.1 | 55.4 | 59.3 | 64.4 | 69.6 | 74.8 | 100.7 | 109.0 | 118.6 | 129.8 | 900 | | | | | | |
| | | | | | | | | | | | | | | 46.5 | 54.6 | 58.0 | 61.9 | 67.0 | 72.2 | 77.3 | 103.9 | 112.2 | 121.8 | 133.0 | 1000 | | | | | | |
| | | | | | | | | | | | | | | | 57.7 | 61.1 | 65.0 | 70.1 | 75.3 | 80.4 | 107.7 | 116.0 | 125.7 | 136.9 | 1120 | | | | | | |
| | | | | | | | | | | | | | | | | 61.1 | 64.4 | 68.3 | 73.5 | 78.6 | 83.8 | 111.9 | 120.2 | 129.8 | 141.0 | 1250 | | | | | |
| | | | | | | | | | | | | | | | | | 65.0 | 68.3 | 72.2 | 77.3 | 82.5 | 87.6 | 116.7 | 125.0 | 134.6 | 145.9 | 1400 | | | | |
| | | | | | | | | | | | | | | | | | | 70.1 | 73.5 | 77.3 | 82.5 | 87.6 | 92.8 | 123.1 | 131.4 | 141.0 | 152.3 | 1600 | | | |
| | | | | | | | | | | | | | | | | | | | 75.3 | 78.6 | 82.5 | 87.6 | 92.8 | 97.9 | 129.5 | 137.8 | 147.5 | 158.7 | 1800 | | |
| | | | | | | | | | | | | | | | | | | | | 80.4 | 83.8 | 87.6 | 92.8 | 97.9 | 103.1 | 135.9 | 144.3 | 153.9 | 165.1 | 2000 | |
| | | | | | | | | | | | | | | | | | | | | | 86.6 | 90.0 | 93.8 | 99.0 | 104.1 | 109.3 | 143.6 | 151.9 | 161.6 | 172.8 | 2240 |
| | | | | | | | | | | | | | | | | | | | | | 93.3 | 96.7 | 100.5 | 105.7 | 110.8 | 116.0 | 151.9 | 160.3 | 169.9 | 181.1 | 2500 |
| | | | | | | | | | | | | | | | | | | | | | 101.0 | 104.4 | 108.3 | 113.4 | 118.6 | 123.7 | 161.6 | 169.9 | 179.5 | 190.7 | 2800 |
| | | | | | | | | | | | | | | | | | | | | | 110.1 | 113.4 | 117.3 | 122.4 | 127.6 | 132.7 | 172.8 | 181.1 | 190.7 | 202.0 | 3150 |

Channel selection table: Weights given apply to a span of 3.0 meters between fastening points.
Weight in [kg per meter length] depending on width / height and sheet metal thickness [mm].
Duct connecting parts (frames) are to be taken into account by an average correction factor.

| Sheet 0.75 | | | Sheet 0.88 | | | | | | Sheet 1.0 | | | | | | Sheet 1.13 | | | | | | Sheet 1.25 | | | | | B / H |
|------------|------|------|------------|------|------|------|------|------|-----------|------|------|-------|-------|-------|------------|-------|-------|-------|-------|-------|------------|-------|-------|-------|-------------|-------|
| 200 | 224 | 250 | 280 | 315 | 355 | 400 | 450 | 500 | 560 | 630 | 710 | 800 | 900 | 1000 | 1120 | 1250 | 1400 | 1600 | 1800 | 2000 | 2240 | 2500 | 2800 | 3150 | | |
| 22.7 | 23.9 | 25.2 | 30.1 | 32.2 | 34.7 | 37.6 | 40.7 | 43.8 | 53.0 | 57.8 | 63.4 | 69.7 | 76.6 | 83.6 | 102.1 | 112.1 | 123.7 | 139.2 | 154.7 | 170.1 | 234.7 | 259.7 | 288.5 | 322.2 | 200 | |
| | 25.1 | 26.4 | 31.6 | 33.7 | 36.3 | 39.1 | 42.2 | 45.3 | 54.6 | 59.5 | 65.1 | 71.3 | 78.3 | 85.3 | 103.9 | 114.0 | 125.6 | 141.0 | 156.5 | 172.0 | 237.0 | 262.0 | 290.8 | 324.5 | 224 | |
| | | 27.7 | 33.2 | 35.4 | 37.9 | 40.7 | 43.8 | 47.0 | 56.4 | 61.3 | 66.9 | 73.2 | 80.1 | 87.1 | 105.9 | 116.0 | 127.6 | 143.1 | 158.5 | 174.0 | 239.5 | 264.5 | 293.3 | 327.0 | 250 | |
| | | | 35.1 | 37.3 | 39.8 | 42.6 | 45.7 | 48.8 | 58.5 | 63.4 | 69.0 | 75.2 | 82.2 | 89.2 | 108.3 | 118.3 | 129.9 | 145.4 | 160.8 | 176.3 | 242.3 | 267.3 | 296.2 | 329.9 | 280 | |
| | | | | 39.4 | 41.9 | 44.8 | 47.9 | 51.0 | 61.0 | 65.8 | 71.4 | 77.7 | 84.7 | 91.6 | 111.0 | 121.0 | 132.6 | 148.1 | 163.6 | 179.0 | 245.7 | 270.7 | 299.6 | 333.2 | 315 | |
| | | | | | 44.5 | 47.3 | 50.4 | 53.5 | 63.8 | 68.6 | 74.2 | 80.5 | 87.4 | 94.4 | 114.1 | 124.1 | 135.7 | 151.2 | 166.6 | 182.1 | 249.6 | 274.6 | 303.4 | 337.1 | 355 | |
| | | | | | | 50.1 | 53.2 | 56.3 | 66.9 | 71.8 | 77.3 | 83.6 | 90.6 | 97.5 | 117.5 | 127.6 | 139.2 | 154.7 | 170.1 | 185.6 | 253.9 | 278.9 | 307.7 | 341.4 | 400 | |
| | | | | | | | 56.3 | 59.5 | 70.4 | 75.2 | 80.8 | 87.1 | 94.1 | 101.0 | 121.4 | 131.5 | 143.1 | 158.5 | 174.0 | 189.5 | 258.7 | 283.7 | 312.5 | 346.2 | 450 | |
| | | | | | | | | 62.6 | 73.9 | 78.7 | 84.3 | 90.6 | 97.5 | 104.5 | 125.3 | 135.3 | 146.9 | 162.4 | 177.9 | 193.3 | 263.5 | 288.5 | 317.4 | 351.0 | 500 | |
| | | | | | | | | | 78.0 | 82.9 | 88.5 | 94.8 | 101.7 | 108.7 | 129.9 | 140.0 | 151.6 | 167.0 | 182.5 | 198.0 | 269.3 | 294.3 | 323.1 | 356.8 | 560 | |
| | | | | | | | | | | 87.8 | 93.4 | 99.6 | 106.6 | 113.6 | 135.3 | 145.4 | 157.0 | 172.4 | 187.9 | 203.4 | 276.0 | 301.0 | 329.9 | 363.5 | 630 | |
| | | | | | | | | | | | 98.9 | 105.2 | 112.2 | 119.1 | 141.5 | 151.6 | 163.2 | 178.6 | 194.1 | 209.6 | 276.0 | 301.0 | 329.9 | 363.5 | 710 | |
| | | | | | | | | | | | | 111.5 | 118.4 | 125.4 | 148.5 | 158.5 | 170.1 | 185.6 | 201.1 | 216.5 | 292.4 | 317.4 | 346.2 | 379.9 | 800 | |
| | | | | | | | | | | | | | 125.4 | 132.4 | 156.2 | 166.3 | 177.9 | 193.3 | 208.8 | 224.3 | 302.0 | 327.0 | 355.8 | 389.5 | 900 | |
| | | | | | | | | | | | | | | 139.4 | 163.9 | 174.0 | 185.6 | 201.1 | 216.5 | 232.0 | 311.6 | 336.6 | 365.4 | 399.1 | 1000 | |
| | | | | | | | | | | | | | | | 173.2 | 183.3 | 194.9 | 210.3 | 225.8 | 241.3 | 323.1 | 348.1 | 377.0 | 410.6 | 1120 | |
| | | | | | | | | | | | | | | | 183.3 | 193.3 | 204.9 | 220.4 | 235.9 | 251.3 | 335.6 | 360.6 | 389.5 | 423.1 | 1250 | |
| | | | | | | | | | | | | | | | 194.9 | 204.9 | 216.5 | 232.0 | 247.5 | 262.9 | 350.1 | 375.1 | 403.9 | 437.6 | 1400 | |
| | | | | | | | | | | | | | | | 210.3 | 220.4 | 232.0 | 247.5 | 262.9 | 278.4 | 369.3 | 394.3 | 423.1 | 456.8 | 1600 | |
| | | | | | | | | | | | | | | | 225.8 | 235.9 | 247.5 | 262.9 | 278.4 | 293.8 | 388.5 | 413.5 | 442.4 | 476.0 | 1800 | |
| | | | | | | | | | | | | | | | 241.3 | 251.3 | 262.9 | 278.4 | 293.8 | 309.3 | 407.8 | 432.8 | 461.6 | 495.3 | 2000 | |
| | | | | | | | | | | | | | | | 259.8 | 269.9 | 281.5 | 296.9 | 312.4 | 327.9 | 430.8 | 455.8 | 484.7 | 518.3 | 2240 | |
| | | | | | | | | | | | | | | | 279.9 | 290.0 | 301.6 | 317.0 | 332.5 | 348.0 | 455.8 | 480.8 | 509.7 | 543.4 | 2500 | |
| | | | | | | | | | | | | | | | 303.1 | 313.2 | 324.8 | 340.2 | 355.7 | 371.2 | 484.7 | 509.7 | 538.5 | 572.2 | 2800 | |
| | | | | | | | | | | | | | | | 330.2 | 340.2 | 351.8 | 367.3 | 382.8 | 398.2 | 518.3 | 543.4 | 572.2 | 605.9 | 3150 | |

- MV 30
- MQ-31
- MQ-41
- MQ-41/3
- MQ-52
- MQ-72

