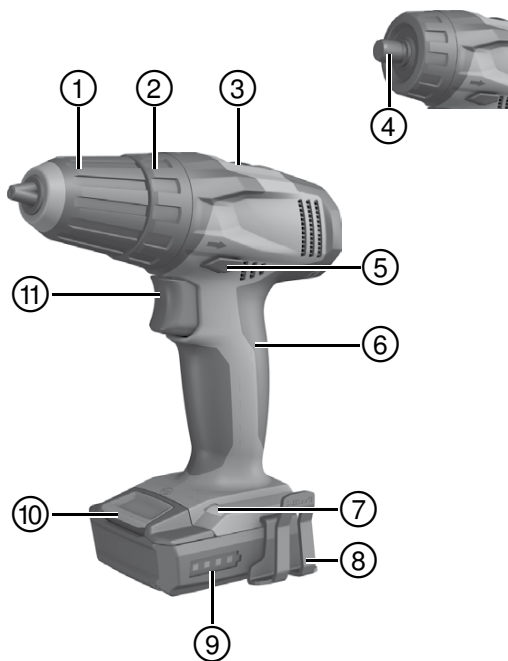


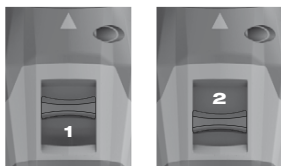
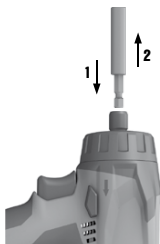
HILTI

SF 2-A / SFD 2-A

Operating instructions	en
Mode d'emploi	fr
Brugsanvisning	da
Bruksanvisning	sv
Bruksanvisning	no
Käyttöohje	fi
Инструкция по эксплуатации	ru
Kullanma Talimat	tr
دليل الاستعمال	ar
Lietošanas pamācība	lv
Instrukcija	lt
Kasutusjuhend	et
ІНСТРУКЦІЯ З ЕКСПЛУАТАЦІЇ	uk
Пайдалану бойынша басшылық	kk
取扱説明書	ja
사용설명서	ko
操作說明書	zh
操作说明书	cn





2**3****4****5****6****7**

ORIGINAL OPERATING INSTRUCTIONS

SF 2-A/SFD 2-A cordless drill / driver

en

It is essential that the operating instructions are read before the power tool is operated for the first time.

Always keep these operating instructions together with the power tool.

Ensure that the operating instructions are with the power tool when it is given to other persons.

Contents

1	General information	2
2	Description	4
3	Insert tools, accessories	5
4	Technical data	6
5	Safety instructions	7
6	Before use	13
7	Operation	15
8	Care and maintenance	18
9	Troubleshooting	20
10	Disposal	20
11	Manufacturer's warranty - tools	21
12	EC declaration of conformity (original)	22

1 These numbers refer to the corresponding illustrations. The illustrations can be found on the fold-out cover pages. Keep these pages open while studying the operating instructions.

In these operating instructions, the designation "power tool" always refers to the SF 2-A or SFD 2-A cordless drill / driver, with battery fitted.

Parts, operating controls and indicators **1**

- ① Keyless chuck (SF 2-A)
- ② Torque and drilling mode setting ring
- ③ Gear selector switch
- ④ Hex. socket with locking sleeve (SFD 2-A)

- ⑤ Forward / reverse switch

- ⑥ Grip

- ⑦ Lamp

- ⑧ Belt hook (optional)

- ⑨ Charging status indicator

- ⑩ Release button

- ⑪ Control switch (with electronic speed control)

en

1 General information

1.1 Safety notices and their meaning

DANGER

Draws attention to imminent danger that will lead to serious bodily injury or fatality.

WARNING

Draws attention to a potentially dangerous situation that could lead to serious personal injury or fatality.

CAUTION

Draws attention to a potentially dangerous situation that could lead to slight personal injury or damage to the equipment or other property.

NOTE

Draws attention to an instruction or other useful information.

1.2 Explanation of the pictograms and other information

Warning signs



General warning



Warning: electricity



Warning: caustic substances

Obligation signs



Wear eye protection



Wear a hard hat



Wear ear protection



Wear protective gloves

en



Wear breathing protection

Symbols



Read the operating instructions before use



Volts



Direct current



Rated speed under no load



Revolutions per minute



Drilling without hammering



Return waste material for recycling.

Location of identification data on the power tool

The type designation can be found on the type identification plate at the base of the power tool and the serial number on the side of the casing. Make a note of this data in your operating instructions and always refer to it when making an enquiry to your Hilti representative or service department.

Type:

Generation: 01

Serial no.:

2 Description

2.1 Use of the product as directed

The SF 2-A and SFD 2-A are hand-held cordless drill / drivers for driving and removing screws and drilling in steel, wood and plastic.

en Working on materials hazardous to the health (e.g. asbestos) is not permissible.

Do not use the battery as a power source for other unspecified appliances. Modification of the power tool or tampering with its parts is not permissible. To avoid the risk of injury, use only genuine Hilti accessories and insert tools. Observe the information printed in the operating instructions concerning operation, care and maintenance.

The power tool is designed for professional use and may be operated, serviced and maintained only by trained, authorized personnel. This personnel must be informed of any special hazards that may be encountered. The power tool and its ancillary equipment may present hazards when used incorrectly by untrained personnel or when used not as directed.

The working environment may be as follows: construction site, workshop, renovation, conversion or new construction.

2.2 Chuck

The SF 2-A has a keyless chuck and the SFD 2-A features a hex. socket drive.

2.3 Switches

Control switch with electronic speed control

Gear selector switch

Forward / reverse selector switch with transport lock

Torque and drilling mode setting ring

2.4 Grips

Vibration-absorbing grip

2.5 The items supplied include (toolbox versions):

1 Power tool

1 Operating instructions

1 Hilti toolbox

2.6 The items supplied include (cardboard box versions):

- 1 Power tool
- 1 Operating instructions

2.7 Additional items required for operating the tool:

B 12/2.6 Li-Ion battery and C4/12-50 charger.

2.8 Li-ion battery charge status display

LEDs light constantly	LEDs blink	Charge status C
LED 1, 2, 3, 4	-	$C \geq 75 \%$
LED 1, 2, 3	-	$50 \% \leq C < 75 \%$
LED 1, 2	-	$25 \% \leq C < 50 \%$
LED 1	-	$10 \% \leq C < 25 \%$
-	LED 1	$C < 10 \%$

2.9 Overload and overheating protection

The power tool is equipped with an electronic protection system to prevent overloading and overheating. The power tool switches itself off automatically in the event of overloading and overheating. After releasing the control switch, the power tool may not restart immediately when the switch is pressed again (while the power tool is cooling down).

NOTE

Overloading or overheating are not indicated by the LEDs on the battery.

3 Insert tools, accessories

Designation	Short designation
Charger for Li-ion batteries	C 4/12-50
Battery	B 12/2.6 Li-Ion
Belt hook (optional)	

Designation	Description
Keyless chuck clamping range	$\varnothing 0.8 \dots 10 \text{ mm}$
Drilling diameter range in wood (soft)	$\varnothing 0.8 \dots 14 \text{ mm}$

Designation	Description
Drilling diameter range in wood (hard)	∅ 0.8...10 mm
Drilling diameter range in metal	∅ 0.8...6 mm
Wood screws (max. length 80 mm)	∅ 3...6 mm

4 Technical data

Right of technical changes reserved.

Power tool	SF 2-A	SFD 2-A
Rated voltage (DC voltage)	10.8 V	10.8 V
Weight in accordance with EPTA procedure 01/2003	1.1 kg	1.0 kg
Speed in 1st gear (with B 12/2.6)	0...400/min	0...400/min
Speed in 2nd gear (with B 12/2.6)	0...1,500/min	0...1,500/min
Torque with tool set to drilling symbol (soft/flexible joint)	Max. 12 Nm	Max. 12 Nm
Torque range (15 settings)	0.5...3.5 Nm	0.5...3.5 Nm

NOTE

The vibration emission level given in this information sheet has been measured in accordance with a standardized test given in EN 60745 and may be used to compare one tool with another. It may be used for a preliminary assessment of exposure. The declared vibration emission level represents the main applications of the tool. However if the tool is used for different applications, with different accessories or poorly maintained, the vibration emission may differ. This may significantly increase the exposure level over the total working period. An estimation of the level of exposure to vibration should also take into account the times when the tool is switched off or when it is running but not actually doing the job. This may significantly reduce the exposure level over the total working period. Identify additional safety measures to protect the operator from the effects of vibration such as: maintain the tool and the accessories, keep the hands warm, organization of work patterns.

Noise and vibration information (measured in accordance with EN 60745):

Typical A-weighted sound power level for the SF 2-A/SFD 2-A	75 dB (A)
Typical A-weighted emission sound pressure level for the SF 2-A/SFD 2-A	64 dB (A)
Uncertainty for the given sound level	3 dB (A)

en

Triaxial vibration values (vibration vector sum)	Measured in accordance with EN 60745-2-2
For the SF 2-A/SFD 2-A: Screwdriving without impact action, a_h	0.5 m/s ²
Uncertainty (K)	1.5 m/s ²

Triaxial vibration values (vibration vector sum)	Measured in accordance with EN 60745-2-1
For the SF 2-A/SFD 2-A: Drilling in metal, $a_{h,D}$	1.9 m/s ²
Uncertainty (K) for triaxial vibration measurements	1.5 m/s ²

Battery	B 12/2.6 Li-Ion
Rated voltage	10.8 V
Capacity	2.6 Ah
Energy capacity	28.08 Wh
Weight	0.24 kg
Temperature monitoring	Yes
Type of cell	Li-Ion
No. of cells	3

5 Safety instructions

NOTE

The safety rules in section 5.1 contain all general safety rules for electric tools which, in accordance with the applicable standards, must be listed in the operating instructions. Accordingly, some of the rules listed may not be relevant to this tool.

5.1 General power tool safety warnings

a)  **WARNING**

Read all safety warnings and all instructions. Failure to follow the warnings and instructions may result in electric shock, fire and/or serious injury. **Save all warnings and instructions for future reference.** The term “power tool” in the warnings refers to your mains-operated (corded) power tool or battery-operated (cordless) power tool.

5.1.1 Work area safety

- a) **Keep work area clean and well lit.** Cluttered or dark areas invite accidents.
- b) **Do not operate power tools in explosive atmospheres, such as in the presence of flammable liquids, gases or dust.** Power tools create sparks which may ignite the dust or fumes.
- c) **Keep children and bystanders away while operating a power tool.** Distractions can cause you to lose control.

5.1.2 Electrical safety

- a) **Power tool plugs must match the outlet. Never modify the plug in any way. Do not use any adapter plugs with earthed (grounded) power tools.** Unmodified plugs and matching outlets will reduce risk of electric shock.
- b) **Avoid body contact with earthed or grounded surfaces, such as pipes, radiators, ranges and refrigerators.** There is an increased risk of electric shock if your body is earthed or grounded.
- c) **Do not expose power tools to rain or wet conditions.** Water entering a power tool will increase the risk of electric shock.
- d) **Do not abuse the cord. Never use the cord for carrying, pulling or unplugging the power tool. Keep cord away from heat, oil, sharp edges or moving parts.** Damaged or entangled cords increase the risk of electric shock.
- e) **When operating a power tool outdoors, use an extension cord suitable for outdoor use.** Use of a cord suitable for outdoor use reduces the risk of electric shock.
- f) **If operating a power tool in a damp location is unavoidable, use a residual current device (RCD) protected supply.** Use of an RCD reduces the risk of electric shock.

5.1.3 Personal safety

- a) **Stay alert, watch what you are doing and use common sense when operating a power tool. Do not use a power tool while you are tired**

or under the influence of drugs, alcohol or medication. A moment of inattention while operating power tools may result in serious personal injury.

- b) **Use personal protective equipment. Always wear eye protection.** Protective equipment such as dust mask, non-skid safety shoes, hard hat, or hearing protection used for appropriate conditions will reduce personal injuries.
- c) **Prevent unintentional starting. Ensure the switch is in the off-position before connecting to power source and/or battery pack, picking up or carrying the tool.** Carrying power tools with your finger on the switch or energising power tools that have the switch on invites accidents.
- d) **Remove any adjusting key or wrench before turning the power tool on.** A wrench or a key left attached to a rotating part of the power tool may result in personal injury.
- e) **Do not overreach. Keep proper footing and balance at all times.** This enables better control of the power tool in unexpected situations.
- f) **Dress properly. Do not wear loose clothing or jewellery. Keep your hair, clothing and gloves away from moving parts.** Loose clothes, jewellery or long hair can be caught in moving parts.
- g) **If devices are provided for the connection of dust extraction and collection facilities, ensure these are connected and properly used.** Use of dust collection can reduce dust-related hazards.

en

5.1.4 Power tool use and care

- a) **Do not force the power tool. Use the correct power tool for your application.** The correct power tool will do the job better and safer at the rate for which it was designed.
- b) **Do not use the power tool if the switch does not turn it on and off.** Any power tool that cannot be controlled with the switch is dangerous and must be repaired.
- c) **Disconnect the plug from the power source and/or the battery pack from the power tool before making any adjustments, changing accessories, or storing power tools.** Such preventive safety measures reduce the risk of starting the power tool accidentally.
- d) **Store idle power tools out of the reach of children and do not allow persons unfamiliar with the power tool or these instructions to operate the power tool.** Power tools are dangerous in the hands of untrained users.
- e) **Maintain power tools. Check for misalignment or binding of moving parts, breakage of parts and any other condition that may affect the power tool's operation. If damaged, have the power tool repaired**

before use. Many accidents are caused by poorly maintained power tools.

- f) **Keep cutting tools sharp and clean.** Properly maintained cutting tools with sharp cutting edges are less likely to bind and are easier to control.
- g) **Use the power tool, accessories and tool bits etc. in accordance with these instructions, taking into account the working conditions and the work to be performed.** Use of the power tool for operations different from those intended could result in a hazardous situation.

5.1.5 Battery tool use and care

- a) **Recharge only with the charger specified by the manufacturer.** A charger that is suitable for one type of battery pack may create a risk of fire when used with another battery pack.
- b) **Use power tools only with specifically designated battery packs.** Use of any other battery packs may create a risk of injury and fire.
- c) **When battery pack is not in use, keep it away from other metal objects, like paper clips, coins, keys, nails, screws or other small metal objects, that can make a connection from one terminal to another.** Shorting the battery terminals together may cause burns or a fire.
- d) **Under abusive conditions, liquid may be ejected from the battery; avoid contact. If contact accidentally occurs, flush with water. If liquid contacts eyes, additionally seek medical help.** Liquid ejected from the battery may cause irritation or burns.

5.1.6 Service

- a) **Have your power tool serviced by a qualified repair person using only identical replacement parts.** This will ensure that the safety of the power tool is maintained.

5.2 Drill safety warnings

- a) **Wear ear protectors when impact drilling.** Exposure to noise can cause hearing loss.
- b) **Use auxiliary handle(s), if supplied with the tool.** Loss of control can cause personal injury.
- c) **Hold power tool by insulated gripping surfaces, when performing an operation where the cutting accessory may contact hidden wiring.** Cutting accessory contacting a "live" wire may make exposed metal parts of the power tool "live" and could give the operator an electric shock.

5.3 Additional safety instructions

5.3.1 Personal safety

- a) **Hold power tool by insulated gripping surfaces, when performing an operation where the fastener may contact hidden wiring.** Fasteners contacting a "live" wire may make exposed metal parts of the power tool "live" and could give the operator an electric shock.
- b) **Always hold the power tool securely with both hands on the grips provided. Keep the grips dry, clean and free from oil and grease.**
- c) **Improve the blood circulation in your fingers by relaxing your hands and exercising your fingers during breaks between working.**
- d) **Avoid touching rotating parts. Switch the power tool on only after bringing it into position at the workpiece.** Touching rotating parts, especially rotating insert tools, may lead to injury.
- e) **Activate the safety lock (forward / reverse switch in the middle position) before storing or transporting the power tool.**
- f) **The power tool is not intended for use by children, by debilitated persons or those who have received no instruction or training.**
- g) **Children must be instructed not to play with the power tool.**
- h) Dust from material such as paint containing lead, some wood species, minerals and metal may be harmful. Contact with or inhalation of the dust may cause allergic reactions and/or respiratory diseases to the operator or bystanders. Certain kinds of dust are classified as carcinogenic such as oak and beech dust especially in conjunction with additives for wood conditioning (chromate, wood preservative). Material containing asbestos must only be treated by specialists. **Where the use of a dust extraction device is possible it shall be used. To achieve a high level of dust collection, use a suitable vacuum cleaner of the type recommended by Hilti for wood dust and/or mineral dust together with this tool. Ensure that the workplace is well ventilated. The use of a dust mask of filter class P2 is recommended. Follow national requirements for the materials you want to work with.**

5.3.2 Power tool use and care

- a) **Secure the workpiece. Use clamps or a vice to secure the workpiece.** The workpiece is thus held more securely than by hand and both hands remain free to operate the power tool.
- b) **Check that the insert tools used are compatible with the chuck system and that they are secured in the chuck correctly.**
- c) **Large and heavy insert tools must only be operated in first gear.** There is otherwise a risk that the tool will be damaged when it is switched off or, under unfavorable conditions, the chuck might be detached.

5.3.3 Battery tool use and care

en

- a) **Ensure the switch is in the off position before inserting battery pack.** Inserting the battery pack into power tools that have the switch on invites accidents.
- b) **Do not expose batteries to high temperatures or fire.** This presents a risk of explosion.
- c) **Do not disassemble, squash or incinerate batteries and do not subject them to temperatures over 80°C.** This presents a risk of fire, explosion or injury through contact with caustic substances.
- d) **Avoid ingress of dampness.** Dampness may cause a short circuit resulting in a risk of burning injury or fire.
- e) **Use only batteries that are approved for use with the applicable tool or appliance.** Use of unapproved batteries or use of the batteries for areas of application for which they are not approved presents a risk of fire and explosion.
- f) **Observe the special instructions applicable to the transport, storage and use of Li-ion batteries.**
- g) **Remove the battery before storing or transporting the power tool.**
- h) **Avoid short-circuiting the battery. Check that the terminals on the battery and in the power tool are free from foreign objects before inserting the battery in the power tool.** Short circuiting the battery terminals presents a risk of fire, explosion and chemical burns.
- i) **Do not charge or continue to use damaged batteries (e.g. batteries with cracks, broken parts, bent or pushed-in and/or pulled-out contacts).**
- j) If the battery gets too hot to touch, this may indicate that it is faulty. **Place the tool in a location where it can be kept under observation, well away from flammable materials, and allow it to cool down. Contact Hilti Service after the battery has been allowed to cool.**

5.3.4 Electrical safety



Before beginning work, check the working area (e.g. using a metal detector) to ensure that no concealed electric cables or gas and water pipes are present. External metal parts of the power tool may become live, for example, when an electric cable is damaged accidentally. This presents a serious risk of electric shock.

5.3.5 Work area

- a) **Ensure that the workplace is well lit.**
- b) **Ensure that the workplace is well ventilated.** Exposure to dust at a poorly ventilated workplace may result in damage to the health.

5.3.6 Personal protective equipment

en



The user and any other persons in the vicinity must wear suitable eye protection, a hard hat, ear protection, protective gloves and breathing protection while the tool is in use.

6 Before use



6.1 Battery use and care

NOTE

Battery performance drops at low temperatures. Use the tool only after fully charging the battery. This ensures that maximum battery capacity is available. Change to the second battery in good time. Recharge the battery immediately so that it is ready for reuse.

Store the battery in a cool, dry place. Never store the battery where it is exposed to the heat of the sun, on a radiator or behind glass, e.g. at a window. Batteries that have reached the end of their life must be disposed of safely and correctly to avoid environmental pollution.

6.2 Charging the battery



en

DANGER

Use only the Hilti batteries and Hilti chargers listed under “Accessories”.

6.2.1 Charging a new battery for the first time

Charge the battery fully before using it for the first time.

6.2.2 Charging a previously used battery

Ensure that the outer surfaces of the battery are clean and dry before inserting it in the corresponding charger.

Information about charging can be found in the operating instructions for the charger.

Lithium-ion batteries are ready for use even when only partially charged.

6.3 Fitting the battery

CAUTION

Before fitting the battery, check that the power tool is switched off and that the safety lock is engaged (forward/reverse switch in the middle position). Use only the Hilti batteries approved for use with this power tool.

CAUTION

Before inserting the battery in the tool, check to ensure that the battery terminals and the contacts in the tool are free from foreign objects.

1. Push the battery into the power tool from the front, as far as it will go, and until it is heard to engage with a click.
2. **CAUTION** A falling battery may present a risk of injury to yourself and others.
Check that the battery is seated securely in the power tool.

6.4 Removing the battery 2

1. Press the release button.
2. Pull the battery out of the tool towards the front.

6.5 Transport and storage of battery packs

Remove the battery from the tool before transport or storage. Make sure that the battery contacts are not short-circuited. Remove loose metal items such as screws, nails, clamps, loose screwdriving bits, wires or metal cuttings and chips from the toolbox or transport container, or prevent these items from coming into contact with the battery.

Observe national and international transport regulations when shipping battery packs (transportation by road, rail, sea or air).

en

6.6 Belt hook

CAUTION

Check that the belt hook is fitted securely before beginning work.

The belt hook allows the power tool to be attached to a belt worn by the operator. The belt hook can also be fitted to the other side of the power tool for use by left-handed persons.

1. Remove the battery from the tool.
2. Fit the mounting plate into the guides provided.
3. Secure the belt hook with the two screws.

7 Operation



CAUTION

The tool may get hot during use. **Wear protective gloves.**

CAUTION

When drilling and screwdriving, the grip of the tool may be deflected laterally (the tool tends to pivot about its own axis).

CAUTION

To avoid injuries caused by the insert tool, wear protective gloves when changing insert tools.

7.1 Setting forward or reverse rotation

NOTE

The forward / reverse switch is used to select the direction of rotation of the drive spindle. An interlock prevents switching while the motor is running. The control switch is locked when the forward / reverse switch is in the

middle position. Push the forward / reverse switch to the left (when the power tool is held in the working direction) to select forward rotation. Push the forward / reverse switch to the right (when the power tool is held in the working direction) to select reverse rotation.

7.2 Selecting the speed range 5

WARNING

Large and heavy insert tools must only be operated in first gear. There is otherwise a risk that the tool will be damaged when it is switched off or, under unfavorable conditions, the chuck might be detached.

NOTE

The gear selector switch can be used to select the speed range. Speed range for the SF 2-A/SFD 2-A with a fully charged battery: 1st gear: 0-400/min, 2nd gear: 0-1500/min.

NOTE

The gear selector switch can be operated only when the motor is at a standstill.

7.3 Switching on / off

Speed of rotation can be increased smoothly up to maximum speed by pressing the control switch slowly.

7.4 Changing sockets

CAUTION

Wear protective gloves when changing insert tools as the insert tools get hot during use.

Check that the connection end of the insert tool is clean. Clean the connection end if necessary.

7.4.1 Changing bits with the SF 2-A

NOTE

The power tool is equipped with a keyless chuck that accepts various accessories such as drill bits, screwdriving bits and bit holders.

7.4.1.1 Fitting the insert tool

1. Set the forward / reverse switch to the middle position or remove the battery from the power tool.
2. Open the keyless chuck.
3. Insert the drill bit in the chuck and then turn the keyless chuck sleeve until tight.

4. Check that the drill bit is held securely.

7.4.1.2 Removing the tool

1. Set the forward / reverse switch to the middle position or remove the battery from the power tool.
2. Open the keyless chuck.
3. Pull the insert tool out of the chuck.

en

7.4.2 Changing bits with the SFD 2-A 6

NOTE

The power tool is equipped with a 1/4" hex. socket with locking sleeve that accepts various accessories such as drill bits, screwdriving bits and bit holders.

7.4.2.1 Fitting the insert tool

1. Set the forward / reverse switch to the middle position or remove the battery from the power tool.
2. Push the locking sleeve on the hex. socket forward and hold it securely in this position.
3. Push the bit into the hex. socket as far as it will go and then release the locking sleeve.
4. Check that the drill bit is held securely.

7.4.2.2 Removing the tool

1. Set the forward / reverse switch to the middle position or remove the battery from the power tool.
2. Push the locking sleeve on the hex. socket forward and hold it securely in this position.
3. Pull the bit out of the hex. socket and then release the locking sleeve.

7.5 Drilling

CAUTION

Use clamps or a vice to secure the workpiece. The workpiece is thus held more securely than by hand and both hands remain free to operate the power tool.

1. Turn the torque and drilling mode setting ring to the drilling symbol.
2. Move the forward / reverse switch to the "Forward" position.

7.6 Screwdriving

1. Turn the torque and drilling mode setting ring to the desired torque value.

2. Set the forward / reverse switch to the desired direction of rotation.

7.7 Reading the charge status LED display on Li-ion batteries

NOTE

The charge status cannot be indicated while the tool is in operation.

en NOTE

The charge status display LEDs may light briefly while the battery is being fitted to the tool.

The Li-ion battery features a charge status LED display. When the tool is not in operation, the charge status is displayed by four LEDs when the lockbutton on the battery is pressed.

8 Care and maintenance

CAUTION

Before beginning cleaning, remove the battery from the power tool in order to prevent unintentional starting.

8.1 Care of insert tools

Clean off dirt and dust deposits adhering to the insert tools and protect them from corrosion by wiping the insert tools from time to time with an oil-soaked rag.

8.2 Care of the power tool

CAUTION

Keep the power tool, especially its grip surfaces, clean and free from oil and grease. Do not use cleaning agents which contain silicone.

The outer casing of the power tool is made from impact-resistant plastic. Sections of the grip are made from a synthetic rubber material.

Never operate the power tool when the ventilation slots are blocked. Clean the ventilation slots carefully using a dry brush. Do not permit foreign objects to enter the interior of the power tool. Clean the outside of the power tool at regular intervals with a slightly damp cloth. Do not use a spray, steam pressure cleaning equipment or running water for cleaning. This may negatively affect the electrical safety of the power tool.

8.3 Care of the Li-ion battery

Avoid ingress of moisture.

Charge the battery fully before using it for the first time.

In order to achieve maximum battery life, stop discharging the battery as soon as a significant drop in battery performance is noticed.

NOTE

If use continues, further battery discharge will be stopped automatically before the battery cells suffer damage.

Charge the battery using an approved charger from Hilti designed for use with Li-ion batteries.

en

NOTE

- A conditioning charge (as is required with NiCd or NiMH batteries) is not necessary.
- Interruption of the charging procedure has no negative effect on battery life.
- Charging can be started at any time with no negative effect on battery life. There is no memory effect (as with NiCd or NiMH batteries).
- For best results, batteries should be stored fully charged in a cool dry place. Storing the battery in places subject to high ambient temperatures (e.g. at a window) has an adverse effect on battery life and increases the rate of self-discharge.
- If the battery no longer reaches full charge, it may have lost capacity due to aging or overstressing. It is still possible to work with this battery. You should, however, soon replace the battery with a new one.

8.4 Maintenance

WARNING

Repairs to the electrical section of the power tool may be carried out only by trained electrical specialists.

Check all external parts of the power tool for damage at regular intervals and check that all controls operate faultlessly. Do not operate the power tool if parts are damaged or when the controls do not function faultlessly. If necessary, the power tool should be repaired by Hilti Service.

8.5 Checking the power tool after care and maintenance

After carrying out care and maintenance work on the power tool, check that all protective and safety devices are fitted and that they function faultlessly.

9 Troubleshooting

Fault	Possible cause	Remedy
The power tool doesn't run.	The battery is discharged or fitted incorrectly.	The battery must be heard to engage with a click or, respectively, needs to be charged.
	Electrical fault.	Remove the battery from the power tool and contact Hilti Service.
The on / off switch can't be pressed, i.e. the switch is locked.	The forward / reverse switch is in the middle position (transport lock engaged).	Push the forward / reverse switch to the left or right.
The battery runs down more quickly than usual.	Battery condition is not optimal.	Have battery condition diagnosed by Hilti Service or replace with a new battery.
The battery does not engage with an audible click.	The retaining lugs on the battery are dirty.	Clean the retaining lugs and check that the battery engages securely. Contact Hilti Service if the problem persists.
The power tool or the battery becomes very warm.	Electrical fault.	Switch the power tool off immediately, remove the battery and contact Hilti Service.
	The power tool has been overloaded (application limits exceeded).	Use the right power tool for the job (don't use a low-powered tool for heavy work).

10 Disposal

CAUTION

Improper disposal of the equipment may have serious consequences: the burning of plastic components generates toxic fumes which may present a health hazard. Batteries may explode if damaged or exposed to very high temperatures, causing poisoning, burns, acid burns or environmental pollution. Careless disposal may permit unauthorized and improper use of

the equipment. This may result in serious personal injury, injury to third parties and pollution of the environment.

CAUTION

Dispose of defective batteries without delay. Keep them out of reach of children. Do not attempt to open or dismantle batteries and do not dispose of them by incineration.

en

CAUTION

Dispose of the batteries in accordance with national regulations or return them to Hilti.



Most of the materials from which Hilti power tools or appliances are manufactured can be recycled. The materials must be correctly separated before they can be recycled. In many countries, Hilti has already made arrangements for taking back your old power tools or appliances for recycling. Please ask your Hilti customer service department or Hilti representative for further information.



For EC countries only

Disposal of electric tools together with household waste is not permissible.

In observance of the European Directive on waste electrical and electronic equipment and its implementation in accordance with national law, electrical appliances that have reached the end of their life must be collected separately and returned to an environmentally compatible recycling facility.

11 Manufacturer's warranty - tools

Please contact your local Hilti representative if you have questions about the warranty conditions.

12 EC declaration of conformity (original)

Designation:	Cordless drill / driver
Type:	SF 2-A/SFD 2-A
Generation:	01
Year of design:	2013

en

We declare, on our sole responsibility, that this product complies with the following directives and standards: 2006/42/EC, 2004/108/EC, 2006/66/EC, 2011/65/EU, EN 60745-1, EN 60745-2-1, EN 60745-2-2, EN ISO 12100.

Hilti Corporation, Feldkircherstrasse 100, FL-9494 Schaan



Paolo Luccini
Head of BA Quality and Process Management
Business Area Electric Tools & Accessories
03/2014



Tassilo Deinzer
Executive Vice President
Business Unit Power Tools & Accessories
03/2014

Technical documentation filed at:

Hilti Entwicklungsgesellschaft mbH
Zulassung Elektrowerkzeuge
Hiltistrasse 6
86916 Kaufering
Deutschland

NOTICE ORIGINALE

SF 2-A/SFD 2-A Visseuse- perceuse sans fil

Avant de mettre l'appareil en marche, lire impérativement son mode d'emploi et bien respecter les consignes.

Le présent mode d'emploi doit toujours accompagner l'appareil.

Ne pas prêter ou céder l'appareil à un autre utilisateur sans lui fournir le mode d'emploi.

fr

Sommaire

1	Consignes générales	24
2	Description	26
3	Outils, accessoires	28
4	Caractéristiques techniques	28
5	Consignes de sécurité	30
6	Mise en service	37
7	Utilisation	39
8	Nettoyage et entretien	42
9	Guide de dépannage	44
10	Recyclage	45
11	Garantie constructeur des appareils	46
12	Déclaration de conformité CE (original)	46

1 Les chiffres renvoient aux illustrations respectives. Les illustrations qui se rapportent au texte se trouvent sur les pages rabattables. Pour lire le mode d'emploi, rabattre ces pages de manière à voir les illustrations.

Dans le présent mode d'emploi, « l'appareil » désigne toujours la visseuse-perceuse sans fil SF 2-A ou SFD 2-A avec bloc-accu encliqueté.

Pièces constitutives de l'appareil, éléments de commande et d'affichage 1

- ① Mandrin de perçage à serrage rapide (SF 2-A)
- ② Bague de réglage du couple et de la fonction perçage
- ③ Sélecteur de vitesse
- ④ Hexagonal int. avec douille de verrouillage (SFD 2-A)
- ⑤ Inverseur du sens de rotation droite / gauche
- ⑥ Poignée
- ⑦ Lampe
- ⑧ Patte d'accrochage (en option)
- ⑨ Indicateur de l'état de charge
- ⑩ Touche de déverrouillage
- ⑪ Interrupteur de commande (avec variateur de vitesse électronique)

fr

1 Consignes générales

1.1 Termes signalant un danger et leur signification

DANGER

Pour un danger imminent qui peut entraîner de graves blessures corporelles ou la mort.

AVERTISSEMENT

Pour attirer l'attention sur une situation pouvant présenter des dangers susceptibles d'entraîner des blessures corporelles graves ou la mort.

ATTENTION

Pour attirer l'attention sur une situation pouvant présenter des dangers susceptibles d'entraîner des blessures corporelles légères ou des dégâts matériels.

REMARQUE

Pour des conseils d'utilisation et autres informations utiles.

1.2 Explication des pictogrammes et autres symboles d'avertissement

Symboles d'avertissement



Avertissement
danger général



Avertissement
tension électrique
dangereuse



Avertissement
matières corrosives

fr

Symboles d'obligation



Porter des lunettes
de protection



Porter un casque de
protection



Porter un casque
antibruit



Porter des gants de
protection



Porter un masque
respiratoire léger

Symboles



Lire le mode
d'emploi avant
d'utiliser l'appareil

V

Volt



Courant continu

n_0

Vitesse nominale à
vide

/min

Tours par minute



Perçage sans
percussion



Recycler les déchets

Emplacement des détails d'identification sur l'appareil

La désignation du modèle figure sur la plaque signalétique sous le pied de l'appareil et le numéro de série sur le côté du carter. Inscrire ces renseignements dans le mode d'emploi et toujours s'y référer pour communiquer avec notre représentant ou agence Hilti.

Type :

fr

Génération : 01

N° de série :

2 Description

2.1 Utilisation conforme à l'usage prévu

La SF 2-A et la SFD 2-A sont des visseuses-perceuses sur accu à guidage manuel servant à serrer et desserrer de la visserie, percer dans de l'acier, du bois ou du plastique.

Ne pas travailler sur des matériaux susceptibles de nuire à la santé (par ex. amiante).

Ne pas utiliser les blocs-accus comme source d'énergie pour d'autres appareils non spécifiés.

Toute manipulation ou modification de l'appareil est interdite.

Pour éviter tout risque de blessure, utiliser uniquement les accessoires et outils Hilti d'origine.

Bien respecter les consignes concernant l'utilisation, le nettoyage et l'entretien de l'appareil qui figurent dans le présent mode d'emploi.

L'appareil est destiné aux utilisateurs professionnels et ne doit être utilisé, entretenu et réparé que par un personnel agréé, formé à cet effet. Ce personnel doit être au courant des dangers inhérents à l'utilisation de l'appareil. L'appareil et ses accessoires peuvent s'avérer dangereux s'ils sont utilisés de manière incorrecte par un personnel non qualifié ou de manière non conforme à l'usage prévu.

L'environnement de travail peut être : chantiers, ateliers, sites de rénovation, sites de constructions nouvelles ou de constructions en cours de réaménagement.

2.2 Porte-outil

Mandrin de perçage à serrage rapide pour le modèle SF 2-A et hexagonal intérieur pour le modèle SFD 2-A.

2.3 Interrupteur

Interrupteur de commande avec variateur de vitesse électronique

Sélecteur de vitesse

Inverseur du sens de rotation droite / gauche avec dispositif de blocage

Bague de réglage du couple et de la fonction perçage

2.4 Poignée

Poignée antivibration

fr

2.5 L'équipement livré dans le coffret comprend :

1 Appareil

1 Mode d'emploi

1 Coffret Hilti

2.6 L'équipement livré dans l'emballage en carton comprend :

1 Appareil

1 Mode d'emploi

2.7 Équipement supplémentaire nécessaire au fonctionnement de l'appareil :

Un bloc-accu B 12/2.6 Li-Ion avec chargeur C4/12-50.

2.8 Indicateur de l'état de charge sur le bloc-accu Li-Ion

DEL allumée en continu	DEL clignotante	État de charge C
DEL 1, 2, 3, 4	-	$C \geq 75 \%$
DEL 1, 2, 3	-	$50 \% \leq C < 75 \%$
DEL 1, 2	-	$25 \% \leq C < 50 \%$
DEL 1	-	$10 \% \leq C < 25 \%$
-	DEL 1	$C < 10 \%$

2.9 Système de protection électronique contre les surcharges et les surchauffes

L'appareil est équipé d'un système de protection électronique contre les surcharges et les surchauffes. En cas de surcharge et de surchauffe, l'appareil est automatiquement arrêté. Si l'interrupteur de commande est

relâché puis à nouveau enfoncé, il peut y avoir des retards de mise en marche (phases de refroidissement de l'appareil).

REMARQUE

Les surcharges ou surchauffes ne sont pas signalées par les LEDs sur le bloc-accu.

fr

3 Outils, accessoires

Désignation	Symbole
Chargeur pour blocs-accus Li-Ion	C 4/12-50
Bloc-accu	B 12/2.6 Li-Ion
Patte d'accrochage (en option)	

Désignation	Description
Plage de serrage du mandrin à serrage rapide	∅ 0,8... 10 mm
Plage de perçage dans le bois (tendre)	∅ 0,8... 14 mm
Plage de perçage dans le bois (dur)	∅ 0,8... 10 mm
Plage de perçage dans le métal	∅ 0,8... 6 mm
Vis à bois (longueur max. 80 mm)	∅ 3... 6 mm

4 Caractéristiques techniques

Sous réserve de modifications techniques !

Appareil	SF 2-A	SFD 2-A
Tension de référence (tension continue)	10,8 V	10,8 V
Poids selon la procédure EPTA 01/2003	1,1 kg	1,0 kg
Vitesse de rotation 1ère vitesse : (avec B 12/2.6)	0... 400/min	0... 400/min
Vitesse de rotation 2e vitesse : (avec B 12/2.6)	0... 1.500/min	0... 1.500/min

Appareil	SF 2-A	SFD 2-A
Couple de rotation (cas de vissage facile) réglage Symbole de perçage	Max. 12 Nm	Max. 12 Nm
Réglage du couple (15 niveaux)	0,5...3,5 Nm	0,5...3,5 Nm

fr

REMARQUE

Le niveau de vibrations mentionné dans ces instructions a été mesuré conformément à un procédé de mesure normalisé selon EN 60745 et peut être utilisé comme base de comparaison entre outils électroportatifs. Il permet également de procéder à une évaluation préalable des sollicitations vibratoires. Le niveau de vibrations mentionné correspond aux principales applications de l'outil électroportatif. Ce niveau peut néanmoins différer si l'outil électroportatif est utilisé pour d'autres applications, avec des outils à monter différents ou que l'entretien s'avère insuffisant. Ceci peut augmenter considérablement les sollicitations vibratoires dans tout l'espace de travail. Pour une évaluation précise des sollicitations vibratoires, il convient également de prendre en compte les temps durant lesquels l'appareil est arrêté ou marche à vide. Ceci peut sensiblement réduire les sollicitations vibratoires dans tout l'espace de travail. Par ailleurs, il convient de prendre des mesures de sécurité supplémentaires en vue de protéger l'utilisateur des effets des vibrations, telles que : bien entretenir l'outil électroportatif ainsi que les outils à monter, maintenir les mains chaudes, optimiser l'organisation des opérations.

Valeurs de bruit et de vibrations (mesurées selon EN 60745) :

Niveau de puissance acoustique pondéré (A) type pour SF 2-A/SFD 2-A	75 dB (A)
Niveau de pression acoustique d'émission pondéré (A) type pour SF 2-A/SFD 2-A	64 dB (A)
Incertitude du niveau acoustique indiqué	3 dB (A)
Valeurs de vibrations triaxiales (somme vectorielle des vibrations)	mesurées selon EN 60745-2-2
Pour SF 2-A/SFD 2-A: Vissage sans percussion, a_h	0,5 m/s ²
Incertitude (K)	1,5 m/s ²

Valeurs de vibrations triaxiales (somme vectorielle des vibrations)	mesurées selon EN 60745-2-1
Pour SF 2-A/SFD 2-A: Perçage dans le métal, $a_{h,D}$	1,9 m/s ²
Incertitude (K) des mesures de vibrations triaxiales	1,5 m/s ²

Bloc-accu	B 12/2.6 Li-Ion
Tension de référence	10,8 V
Capacité	2,6 Ah
Consommation d'énergie électrique	28,08 Wh
Poids	0,24 kg
Surveillance de la température	oui
Type de cellules	Li-Ion
Bloc de cellules	3 éléments

5 Consignes de sécurité

REMARQUE

Les indications de sécurité du chapitre 5.1 contiennent toutes les indications générales de sécurité pour les appareils électriques qui, selon les normes applicables, doivent être spécifiées dans le présent mode d'emploi. Par conséquent, il est possible que certaines indications ne se rapportent pas à cet appareil.

5.1 Indications générales de sécurité pour les appareils électriques

a)  **AVERTISSEMENT**

Lire et comprendre toutes les consignes de sécurité et instructions.

Le non-respect des consignes de sécurité et instructions indiquées ci-après peut entraîner un choc électrique, un incendie et / ou de graves blessures sur les personnes. **Les consignes de sécurité et instructions doivent être intégralement conservées pour les utilisations futures.** La notion d'« outil électroportatif » mentionnée dans les consignes de sécurité se rapporte à des outils électriques raccordés au secteur (avec câble de raccordement) et à des outils électriques à batterie (sans câble de raccordement).

5.1.1 Sécurité sur le lieu de travail

- a) **Maintenez l'endroit de travail propre et bien éclairé.** Un lieu de travail en désordre ou mal éclairé augmente le risque d'accidents.
- b) **N'utilisez pas l'outil électroportatif dans un environnement présentant des risques d'explosion et où se trouvent des liquides, des gaz ou poussières inflammables.** Les outils électroportatifs génèrent des étincelles risquant d'enflammer les poussières ou les vapeurs.
- c) **Tenez les enfants et autres personnes éloignés durant l'utilisation de l'outil électroportatif.** En cas d'inattention vous risquez de perdre le contrôle de l'appareil.

fr

5.1.2 Sécurité relative au système électrique

- a) **La fiche de secteur de l'outil électroportatif doit être appropriée à la prise de courant. Ne modifiez en aucun cas la fiche. N'utilisez pas de fiches d'adaptateur avec des outils électroportatifs avec mise à la terre.** Les fiches non modifiées et les prises de courant appropriées réduisent le risque de choc électrique.
- b) **Éviter le contact physique avec des surfaces mises à la terre tels que tuyaux, radiateurs, cuisinières et réfrigérateurs.** Il y a un risque élevé de choc électrique au cas où votre corps serait relié à la terre.
- c) **N'exposez pas les outils électroportatifs à la pluie ou à l'humidité.** La pénétration d'eau dans un outil électroportatif augmente le risque d'un choc électrique.
- d) **N'utilisez pas le câble à d'autres fins que celles prévues, n'utilisez pas le câble pour porter l'outil électroportatif ou pour l'accrocher ou encore pour le débrancher de la prise de courant. Maintenez le câble éloigné des sources de chaleur, des parties grasses, des bords tranchants ou des parties de l'appareil en rotation.** Un câble endommagé ou torsadé augmente le risque d'un choc électrique.
- e) **Au cas où vous utiliseriez l'outil électroportatif à l'extérieur, utilisez uniquement une rallonge homologuée pour les applications extérieures.** L'utilisation d'une rallonge électrique homologuée pour les applications extérieures réduit le risque d'un choc électrique.
- f) **Si l'utilisation de l'outil électroportatif dans un environnement humide ne peut pas être évitée, un interrupteur de protection contre les courants de court-circuit doit être utilisé.** L'utilisation d'un tel interrupteur de protection réduit le risque d'une décharge électrique.

5.1.3 Sécurité des personnes

- a) **Restez vigilant, surveillez ce que vous faites. Faites preuve de bon sens en utilisant l'outil électroportatif. N'utilisez pas l'outil électroportatif lorsque vous êtes fatigué ou après avoir consommé**

de l'alcool, des drogues ou avoir pris des médicaments. Un moment d'inattention lors de l'utilisation de l'outil électroportatif peut entraîner de graves blessures sur les personnes.

fr

- b) **Portez des équipements de protection. Portez toujours des lunettes de protection.** Le fait de porter des équipements de protection personnels tels que masque antipoussière, chaussures de sécurité antidérapantes, casque de protection ou protection acoustique suivant le travail à effectuer, réduit le risque de blessures.
- c) **Éviter une mise en service par mégarde. S'assurer que l'outil électroportatif est arrêté avant de le brancher à la source de courant et/ou au bloc-accu, de le prendre ou de le porter.** Le fait de porter l'outil électroportatif avec le doigt sur l'interrupteur ou de brancher l'appareil sur la source de courant lorsque l'interrupteur est en position de fonctionnement, peut entraîner des accidents.
- d) **Enlevez tout outil de réglage ou toute clé avant de mettre l'outil électroportatif en fonctionnement.** Une clé ou un outil se trouvant sur une partie en rotation peut causer des blessures.
- e) **Adoptez une bonne posture. Veillez à garder toujours une position stable et équilibrée.** Ceci vous permet de mieux contrôler l'outil électroportatif dans des situations inattendues.
- f) **Portez des vêtements appropriés. Ne portez pas de vêtements amples ni de bijoux. Maintenez cheveux, vêtements et gants éloignés des parties de l'appareil en rotation.** Des vêtements amples, des bijoux ou des cheveux longs peuvent être happés par des pièces en mouvement.
- g) **Si des dispositifs servant à aspirer ou à recueillir les poussières doivent être utilisés, vérifiez que ceux-ci sont effectivement raccordés et qu'ils sont correctement utilisés.** L'utilisation d'un dispositif d'aspiration peut réduire les risques dus aux poussières.

5.1.4 Utilisation et maniement de l'outil électroportatif

- a) **Ne surchargez pas l'appareil. Utilisez l'outil électroportatif approprié au travail à effectuer.** Avec l'outil électroportatif approprié, vous travaillerez mieux et avec plus de sécurité à la vitesse pour laquelle il est prévu.
- b) **N'utilisez pas un outil électroportatif dont l'interrupteur est défectueux.** Un outil électroportatif qui ne peut plus être mis en ou hors fonctionnement est dangereux et doit être réparé.
- c) **Retirez la fiche de la prise de courant et/ou le bloc-accu avant d'effectuer des réglages sur l'appareil, de changer les accessoires, ou de ranger l'appareil.** Cette mesure de précaution empêche une mise en fonctionnement par mégarde de l'outil électroportatif.

- d) **Gardez les outils électroportatifs non utilisés hors de portée des enfants. Ne permettez pas l'utilisation de l'appareil à des personnes qui ne se sont pas familiarisées avec celui-ci ou qui n'ont pas lu ces instructions.** Les outils électroportatifs sont dangereux lorsqu'ils sont utilisés par des personnes non initiées.
- e) **Prendre soin des outils électroportatifs. Vérifier que les parties en mouvement fonctionnent correctement et qu'elles ne sont pas coincées, et contrôler si des parties sont cassées ou endommagées de sorte que le bon fonctionnement de l'outil électroportatif s'en trouve entravé. Faire réparer les parties endommagées avant d'utiliser l'appareil.** De nombreux accidents sont dus à des outils électroportatifs mal entretenus.
- f) **Maintenez les outils de coupe aiguisés et propres.** Des outils soigneusement entretenus avec des bords tranchants bien aiguisés se coincent moins souvent et peuvent être guidés plus facilement.
- g) **L'outil électroportatif, les accessoires, les outils à monter, etc. doivent être utilisés conformément à ces instructions. Tenez compte également des conditions de travail et du travail à effectuer.** L'utilisation des outils électroportatifs à d'autres fins que celles prévues peut entraîner des situations dangereuses.

5.1.5 Utilisation et maniemment de l'outil sur accu

- a) **Ne chargez les accumulateurs que dans des chargeurs recommandés par le fabricant.** Si un chargeur approprié à un type spécifique d'accumulateurs est utilisé avec des blocs-accus non recommandés pour celui-ci, il y a risque d'incendie.
- b) **Dans les outils électroportatifs, n'utilisez que les accumulateurs spécialement prévus pour ceux-ci.** L'utilisation de tout autre accumulateur peut entraîner des blessures et des risques d'incendie.
- c) **Tenez l'accumulateur non utilisé à l'écart de tous objets métalliques tels qu'agrafes, pièces de monnaie, clés, clous, vis ou autres, étant donné qu'un pontage peut provoquer un court-circuit.** Un court-circuit entre les contacts d'accu peut provoquer des brûlures ou un incendie.
- d) **En cas d'utilisation abusive, du liquide peut sortir de l'accumulateur. Éviter tout contact avec ce liquide. En cas de contact par mégarde, rincez soigneusement avec de l'eau. Au cas où le liquide rentrerait dans les yeux, consultez en plus un médecin.** Le liquide qui sort de l'accumulateur peut entraîner des irritations de la peau ou causer des brûlures.

5.1.6 Service

- a) **Ne faire réparer l'outil électroportatif que par un personnel qualifié et seulement avec des pièces de rechange d'origine.** Ceci permet d'assurer la sécurité de l'outil électroportatif.

5.2 Indications de sécurité pour les perceuses

- fr a) **Porter un casque antibruit lors du perçage à percussion.** Le bruit peut entraîner des pertes auditives.
- b) **Utiliser la poignée supplémentaire livrée avec l'appareil.** La perte de contrôle peut entraîner des blessures.
- c) **Tenir l'appareil par les surfaces isolées des poignées lors des travaux pendant lesquels l'outil utilisé risque de toucher des câbles électriques cachés.** Le contact avec un câble sous tension risque de mettre les parties métalliques de l'appareil sous tension et de provoquer une décharge électrique.

5.3 Consignes de sécurité supplémentaires

5.3.1 Sécurité des personnes

- a) **Lors des travaux pendant lesquels la vis risque de toucher des câbles électriques cachés, tenir l'appareil uniquement par les surfaces isolées des poignées.** Le contact de la vis avec un câble conducteur risque aussi de mettre les parties métalliques de l'appareil sous tension et de provoquer une décharge électrique.
- b) **Toujours tenir l'appareil des deux mains par les poignées prévues à cet effet. Veiller à ce que les poignées soient toujours sèches, propres et exemptes de traces de graisse et d'huile.**
- c) **Faire régulièrement des pauses et des exercices de relaxation et de massage des doigts pour favoriser l'irrigation sanguine dans les doigts.**
- d) **Éviter de toucher des pièces en rotation. Brancher l'appareil uniquement dans l'espace de travail.** Le fait de toucher des pièces en rotation, en particulier des outils en rotation, risque d'entraîner des blessures.
- e) **Activer le blocage (inverseur D/G sur la position médiane) pour le stockage et le transport de l'appareil.**
- f) **L'appareil n'est pas destiné à être utilisé par des enfants ou des personnes affaiblies sans encadrement.**
- g) **Avertir les enfants et veiller à ce qu'ils ne jouent pas avec l'appareil.**
- h) Les poussières de matériaux telles que des poussières de peinture au plomb, de certains types de bois, minéraux et métaux, peuvent être nocives pour la santé. Le contact ou l'aspiration des poussières peut

provoquer des réactions allergiques et/ou des maladies respiratoires de l'utilisateur ou de toute personne se trouvant à proximité. Certaines poussières, telles que des poussières de chêne ou de hêtre, sont considérées comme cancérigènes, en particulier lorsqu'elles sont combinées à des additifs destinés au traitement du bois (chromate, produit de protection du bois). Les matériaux contenant de l'amiante doivent seulement être manipulés par un personnel spécialisé. **Un dispositif d'aspiration doit être utilisé dans la mesure du possible. Pour une aspiration optimale de la poussière, utiliser de préférence l'aspirateur mobile approprié pour bois et/ou poussières minérales recommandé par Hilti, qui est spécialement étudié pour cet outil électroportatif. Veiller à ce que la place de travail soit bien ventilée. Il est recommandé de porter un masque antipoussière de la classe de filtre P2. Respecter les prescriptions locales en vigueur qui s'appliquent aux matériaux travaillés.**

5.3.2 Utilisation et emploi soigneux de l'outil électroportatif

- a) **Bien fixer la pièce. Pour ce faire, utiliser un dispositif de serrage ou un étau, pour maintenir la pièce travaillée en place.** Elle sera ainsi mieux tenue qu'à la main, et les deux mains restent alors libres pour commander l'appareil.
- b) **Vérifier que les outils sont bien munis du système d'emmanchement adapté à l'appareil et qu'ils sont toujours correctement verrouillés dans le porte-outil.**
- c) **Les outils à monter gros et lourds doivent uniquement être utilisés à la première vitesse.** Il y a sinon un risque d'endommager l'appareil à la mise à l'arrêt ou, dans des situations défavorables, que le mandrin de perçage se détache.

5.3.3 Utilisation et emploi soigneux des appareils sans fil

- a) **Vérifiez que l'appareil est effectivement en position d'arrêt avant de monter l'accumulateur.** Le fait de monter un accumulateur dans un outil électroportatif en position de fonctionnement peut causer des accidents.
- b) **Ne pas exposer les blocs-accus à des températures élevées ni au feu.** Il y a risque d'explosion.
- c) **Les blocs-accus ne doivent pas être démontés, écrasés, chauffés à une température supérieure à 80 °C ou jetés au feu.** Sinon, il y a risque d'incendie, d'explosion et de brûlure par l'acide.
- d) **Éviter toute pénétration d'humidité.** Toute infiltration d'humidité risque de provoquer un court-circuit et des brûlures ou un incendie.
- e) **Utiliser exclusivement des blocs-accus homologués pour l'appareil concerné.** En cas d'utilisation de blocs-accus non homologués ou d'uti-

lisation des blocs-accus pour des domaines d'utilisation non autorisés, il y a risque d'incendie et d'explosion.

- fr
- f) **Respecter les directives spécifiques relatives au transport, au stockage et à l'utilisation des blocs-accus Li-Ion.**
 - g) **Sortir le bloc-accu de l'appareil pour le stockage et le transport.**
 - h) **Éviter tout court-circuit du bloc-accu. Avant de réinsérer le bloc-accu dans l'appareil, s'assurer que les contacts du bloc-accu et dans l'appareil sont exempts de corps étrangers.** Si les contacts d'un bloc-accu sont court-circuités, il y a risque d'incendie, d'explosion et de brûlure par l'acide.
 - i) **Les blocs-accus endommagés (par exemple des blocs-accus fissurés, dont certaines pièces sont cassées, dont les contacts sont déformés, rentrés et / ou sortis) ne doivent plus être chargés ni utilisés.**
 - j) Si le bloc-accu est trop chaud pour être saisi, il se peut qu'il soit défectueux. **Déposer l'appareil à un endroit non inflammable d'où il peut être surveillé, suffisamment loin de matériaux potentiellement inflammables et le laisser refroidir. Contacter le S.A.V. Hilti une fois que le bloc-accu est refroidi.**

5.3.4 Sécurité relative au système électrique



Avant d'entamer le travail, vérifier, par exemple à l'aide d'un détecteur de métaux, qu'il n'y a pas de câbles ou gaines électriques, tuyaux de gaz ou d'eau cachés dans la zone d'intervention. Toutes pièces métalliques extérieures de l'appareil peuvent devenir conductrices, par exemple, lorsqu'un câble électrique est endommagé par inadvertance. Cela peut entraîner un grave danger d'électrocution.

5.3.5 Place de travail

- a) **Veiller à ce que la place de travail soit bien éclairée.**
- b) **Veiller à ce que la place de travail soit bien ventilée.** Des places de travail mal ventilées peuvent nuire à la santé du fait de la présence excessive de poussière.

5.3.6 Équipement de protection individuel



fr

L'utilisateur et les personnes se trouvant à proximité pendant l'utilisation de l'appareil doivent porter des lunettes de protection adaptées, un casque de protection, un casque antibruit, des gants de protection et un masque respiratoire léger.

6 Mise en service



6.1 Utilisation soigneuse des blocs-accus

REMARQUE

À basses températures, la puissance du bloc-accu diminue. Travailler uniquement avec un bloc-accu complètement chargé. Ceci permet d'augmenter le rendement du bloc-accu. Remplacer le bloc-accu à temps par le bloc-accu de rechange. Recharger le bloc-accu immédiatement pour qu'il soit de nouveau disponible pour le prochain remplacement.

Stocker si possible le bloc-accu dans un endroit sec et frais. Ne jamais conserver le bloc-accu dans un endroit exposé au soleil, sur un appareil de chauffage ou derrière des vitres. Une fois arrivés au terme de leur durée de service, les blocs-accus doivent être éliminés conformément à la réglementation en vigueur et en toute sécurité.

6.2 Charge du bloc-accu.



fr DANGER

Utiliser uniquement les blocs-accus et chargeurs Hilti prévus, spécifiés sous « Accessoires ».

6.2.1 Recharge initiale d'un nouveau bloc-accu

Avant la première mise en service, charger complètement les blocs-accus.

6.2.2 Recharge d'un bloc-accu utilisé

Vérifier que les surfaces extérieures du bloc-accu sont propres et sèches avant de l'insérer dans le chargeur approprié.

Pour savoir comment recharger le bloc-accu, se reporter au mode d'emploi du chargeur correspondant.

Les blocs-accus Li-Ion sont prêts à l'emploi même lorsqu'ils sont partiellement chargés.

6.3 Mise en place du bloc-accu

ATTENTION

Avant de réinsérer le bloc-accu, s'assurer que l'appareil est bien sur arrêt et que le blocage pendant la marche est activé (inverseur du sens de rotation droite / gauche en position médiane). Utiliser uniquement les blocs-accus Hilti homologués pour l'appareil.

ATTENTION

Avant d'insérer le bloc-accu dans l'appareil, s'assurer que les contacts du bloc-accu et les contacts de l'appareil sont exempts de tout corps étranger.

1. Insérer le bloc-accu dans l'appareil par l'avant, jusqu'à ce qu'il s'encliquette jusqu'à la butée avec un « clic » audible.
2. **ATTENTION** Une chute de bloc-accu pourrait vous mettre en danger ou mettre en danger d'autres personnes.
Vérifier que le bloc-accu est solidement fixé dans l'appareil.

6.4 Retrait du bloc-accu 2

1. Appuyer sur la touche de déverrouillage.
2. Extraire le bloc-accu de l'appareil par l'avant.

6.5 Transport et stockage des blocs-accus

Pour le transport ou le stockage, retirer le bloc-accu de l'appareil. Vérifier que les contacts du bloc-accu ne sont pas court-circuités. Sortir du coffret, de la caisse à outils ou du contenant de transport, toutes les pièces métalliques détachées, telles que des vis, clous, brides de fixation, embouts filetés libres, fils ou copeaux métalliques, ou éviter que de telles pièces ne viennent en contact avec le bloc-accu.

Pour l'expédition du bloc-accu (que ce soit par transport routier, ferroviaire, maritime ou aérien), il convient d'observer les directives nationales et internationales en vigueur.

fr

6.6 Patte d'accrochage à la ceinture 3

ATTENTION

Avant de commencer à travailler, vérifier que la patte d'accrochage à la ceinture est bien fixée.

La patte d'accrochage permet de fixer l'appareil à la ceinture proche du corps. De plus, la patte d'accrochage à la ceinture peut être fixée de l'autre côté de l'appareil pour les gauchers.

1. Retirer le bloc-accu de l'appareil.
2. Insérer la plaque à visser dans le guidage prévu à cet effet.
3. Fixer la patte d'accrochage à la ceinture à l'aide des deux vis.

7 Utilisation



ATTENTION

L'appareil peut devenir chaud au cours de l'utilisation. **Porter des gants de protection.**

ATTENTION

L'appareil peut dévier latéralement lors du perçage et du vissage.

ATTENTION

Se munir de gants de protection pour changer d'outil, afin d'éviter de se blesser avec l'outil.

7.1 Sélection du sens de rotation droite / gauche 4

REMARQUE

L'inverseur de sens de rotation droite / gauche permet de choisir le sens de rotation du mandrin. Un dispositif de blocage empêche toute inversion du sens de rotation lorsque le moteur tourne. Dans la position médiane, l'interrupteur de commande est bloqué. Pousser l'inverseur du sens de rotation droite / gauche vers la gauche (par rapport au sens effectif de travail de l'appareil) pour régler le sens de rotation droit. Pousser l'inverseur du sens de rotation droite / gauche vers la droite (par rapport au sens effectif de travail de l'appareil) pour régler le sens de rotation gauche.

fr

7.2 Sélection de la plage de vitesse 5

AVERTISSEMENT

Les outils à monter gros et lourds doivent uniquement être utilisés à la première vitesse. Il y a sinon un risque d'endommager l'appareil à la mise à l'arrêt ou, dans des situations défavorables, que le mandrin de perçage se détache.

REMARQUE

Le sélecteur de vitesse permet de sélectionner la plage de vitesse de rotation. Plages de vitesse de rotation pour SF 2-A/SFD 2-A lorsque le bloc-accu est complètement chargé : 1ère vitesse : 0-400/min, 2e vitesse : 0-1500/min.

REMARQUE

Le sélecteur de vitesse peut seulement être actionné si le moteur est arrêté.

7.3 Mise en marche / Arrêt

En appuyant lentement sur l'interrupteur de commande, la vitesse de rotation peut être réglée progressivement jusqu'à la vitesse maximale.

7.4 Changement d'outil

ATTENTION

Se munir de gants de protection pour changer d'outil, car l'appareil peut être très chaud après utilisation.

Vérifier que l'emmanchement de l'outil est bien propre. Nettoyer l'emmanchement si nécessaire.

7.4.1 Changement d'outil sur SF 2-A

REMARQUE

L'appareil est équipé d'un mandrin de perçage à serrage rapide pour recevoir divers outils (p. ex. foret, embout et porte-embout).

7.4.1.1 Mise en place de l'outil

1. Mettre l'inverseur du sens de rotation droite / gauche sur la position médiane ou sortir le bloc-accu de l'appareil.
2. Ouvrir le mandrin à serrage rapide.
3. Insérer l'outil dans le porte-outil et bien serrer le mandrin de perçage à serrage rapide.
4. Vérifier que l'outil tient bien.

fr

7.4.1.2 Retrait de l'outil

1. Mettre l'inverseur du sens de rotation droite / gauche sur la position médiane ou sortir le bloc-accu de l'appareil.
2. Ouvrir le mandrin à serrage rapide.
3. Tirer la mèche hors du mandrin.

7.4.2 Changement d'outil sur SFD 2-A

REMARQUE

L'appareil est équipé d'un hexagonal intérieur 1/4" avec douille de verrouillage pour recevoir divers outils (p. ex. foret, embout et porte-embout).

7.4.2.1 Mise en place de l'outil

1. Mettre l'inverseur du sens de rotation droite / gauche sur la position médiane ou sortir le bloc-accu de l'appareil.
2. Pousser la douille de verrouillage sur l'hexagonal intérieur vers l'avant et la maintenir fermement dans cette position.
3. Emmancher l'outil jusqu'en butée à fond dans l'hexagonal intérieur et relâcher la douille de verrouillage.
4. Vérifier que l'outil tient bien.

7.4.2.2 Retrait de l'outil

1. Mettre l'inverseur du sens de rotation droite / gauche sur la position médiane ou sortir le bloc-accu de l'appareil.
2. Pousser la douille de verrouillage sur l'hexagonal intérieur vers l'avant et la maintenir fermement dans cette position.
3. Retirer l'outil hors de l'hexagonal intérieur et relâcher la douille de verrouillage.

7.5 Perçage

ATTENTION

Pour ce faire, utiliser un dispositif de serrage ou un étau, pour maintenir la pièce travaillée en place. Elle sera ainsi mieux tenue qu'à la main, et les deux mains restent alors libres pour commander l'appareil.

1. Tourner la bague de réglage du couple et de la fonction perçage sur le symbole « Perçage ».
2. Mettre l'inverseur du sens de rotation droite / gauche sur rotation droite.

fr

7.6 Vissages

1. Sélectionner le couple de rotation souhaité à l'aide de la bague de réglage du couple et de la fonction perçage.
2. Sélectionner le sens de rotation souhaité à l'aide de l'inverseur du sens de rotation droite / gauche.

7.7 Lecture de l'indicateur de l'état de charge sur le bloc-accu Li-Ion

REMARQUE

Il n'est pas possible de contrôler l'état de charge en cours de fonctionnement.

REMARQUE

Lors de la mise en place du bloc-accu dans l'appareil, il est possible que les LEDs de l'indicateur de l'état de charge s'allument brièvement.

Le bloc-accu Li-Ion dispose d'un indicateur de l'état de charge. Si l'appareil n'est pas en marche, appuyer sur la touche de verrouillage du bloc-accu pour que l'état de charge soit indiqué par quatre LEDs.

8 Nettoyage et entretien

ATTENTION

Avant tout travail de nettoyage, retirer le bloc-accu pour éviter toute mise en marche intempestive de l'appareil !

8.1 Nettoyage des outils

Enlever toute trace de saleté et protéger la surface des outils contre la corrosion, en les frottant à l'occasion avec un chiffon imbibé d'huile.

8.2 Nettoyage de l'appareil

ATTENTION

Tenir l'appareil, en particulier les surfaces de préhension, sec, propre et exempt d'huile et de graisse. Ne pas utiliser de nettoyeurs à base de silicone.

La coque extérieure du boîtier de l'appareil est fabriquée en plastique résilient. La partie préhensible est en élastomère.

Ne jamais faire fonctionner l'appareil si ses ouïes d'aération sont bouchées !
Nettoyer avec précaution au moyen d'une brosse sèche. Éviter toute pénétration de corps étrangers à l'intérieur de l'appareil. Nettoyer régulièrement l'extérieur de l'appareil avec un chiffon légèrement humide. N'utiliser ni pulvérisateur, ni appareil à jet de vapeur, ni eau courante pour nettoyer l'appareil, afin de garantir sa sûreté électrique.

fr

8.3 Entretien du bloc-accu Li-Ion

Éviter toute pénétration d'humidité.

Avant la première mise en service, charger complètement les blocs-accus. Pour que les blocs-accus atteignent leur longévité maximale, terminer la décharge dès que la puissance du bloc-accu diminue nettement.

REMARQUE

En cas de prolongation de l'utilisation, la décharge s'arrête automatiquement avant que les cellules ne risquent d'être endommagées.

Charger les blocs-accus à l'aide des chargeurs Hilti homologués pour les blocs-accus Li-Ion.

REMARQUE

- Contrairement aux blocs-accus NiCd ou NiMH, une recharge de régénération des blocs-accus n'est pas nécessaire.
- Une interruption du processus de charge ne réduit pas la longévité des blocs-accus.
- Le processus de charge peut à tout moment être démarré sans réduire la longévité. Il n'y a pas d'effet mémoire comme pour les blocs-accus NiCd ou NiMH.
- Les blocs-accus seront de préférence stockés complètement chargés et, si possible, dans un endroit sec et frais. Le stockage des blocs-accus à des températures élevées (derrière des vitres) est défavorable, réduit la longévité des blocs-accus et augmente le taux d'autodécharge des éléments.
- Si le bloc-accu n'est plus complètement chargé, c'est qu'il a perdu de sa capacité par vieillissement ou sollicitation excessive. Il est encore possible de travailler avec ce bloc-accu. Il faudrait néanmoins penser à le remplacer à temps par un neuf.

8.4 Entretien

AVERTISSEMENT

Toute réparation des pièces électriques ne doit être effectuée que par un électricien qualifié.

Vérifier régulièrement toutes les pièces extérieures de l'appareil pour voir si elles ne sont pas abîmées et s'assurer que tous les organes de commande fonctionnent correctement. Ne pas utiliser l'appareil si des pièces sont abîmées ou si des organes de commande ne fonctionnent pas parfaitement. Faire réparer l'appareil par le S.A.V. Hilti.

8.5 Contrôle après des travaux de nettoyage et d'entretien

Après des travaux de nettoyage et d'entretien, vérifier si tous les équipements de protection sont bien en place et fonctionnent parfaitement.

9 Guide de dépannage

Défauts	Causes possibles	Solutions
L'appareil ne fonctionne pas.	Le bloc-accu n'est pas complètement encliqueté ou est vide.	Vérifier que le bloc-accu s'encliquette avec un « clic » audible. Le charger si nécessaire.
	Erreur d'origine électrique.	Sortir le bloc-accu de l'appareil et contacter le S.A.V. Hilti.
Impossible d'enfoncer l'interrupteur Marche / Arrêt ou l'interrupteur est bloqué.	Inverseur du sens de rotation droite / gauche en position médiane (position de transport).	Pousser l'inverseur du sens de rotation droite / gauche vers la droite ou vers la gauche.
Le bloc-accu se vide plus rapidement que d'habitude.	L'état du bloc-accu n'est pas optimal.	Diagnostic par le S.A.V. Hilti ou remplacement de bloc-accu.
Le bloc-accu ne s'encliquette pas avec un « clic » audible.	Ergots d'encliquetage encrassés sur le bloc-accu.	Nettoyer les ergots d'encliquetage et insérer le bloc-accu jusqu'au « clic ». S'adresser au S.A.V. Hilti si le problème subsiste.

Défauts	Causes possibles	Solutions
Important dégagement de chaleur dans l'appareil ou dans le bloc-accu.	Défaut électrique.	Arrêter immédiatement l'appareil, sortir le bloc-accu de l'appareil et s'adresser au S.A.V. Hilti.
	Charge excessive de l'appareil (limite d'emploi dépassée).	Utiliser un appareil approprié pour ce type de travail.

fr

10 Recyclage

ATTENTION

En cas de recyclage incorrect du matériel, les risques suivants peuvent se présenter : la combustion de pièces en plastique risque de dégager des fumées et gaz toxiques nocifs pour la santé. Les piles abîmées ou fortement échauffées peuvent exploser, causer des empoisonnements ou intoxications, des brûlures (notamment par acides), voire risquent de polluer l'environnement. En cas de recyclage sans précautions, des personnes non autorisées risquent d'utiliser le matériel de manière incorrecte, voire de se blesser sérieusement, d'infliger de graves blessures à des tierces personnes et de polluer l'environnement.

ATTENTION

Éliminer immédiatement les blocs-accus défectueux. Les tenir hors de portée des enfants. Ne pas démonter les blocs-accus ni les jeter au feu.

ATTENTION

Éliminer les blocs-accus conformément aux prescriptions nationales en vigueur ou les renvoyer à Hilti.



Les appareils Hilti sont fabriqués en grande partie avec des matériaux recyclables dont la réutilisation exige un tri correct. Dans de nombreux pays, Hilti est déjà équipé pour reprendre votre ancien appareil afin d'en recycler les composants. Consultez le service clients Hilti ou votre conseiller commercial.



Pour les pays de l'UE uniquement.

Ne pas jeter les appareils électriques dans les ordures ménagères !

Conformément à la directive européenne concernant les appareils électriques et électroniques anciens et sa transposition au niveau national, les appareils électriques usagés doivent être collectés séparément et recyclés de manière non polluante.

fr

11 Garantie constructeur des appareils

En cas de questions relatives aux conditions de garantie, veuillez vous adresser à votre partenaire HILTI local.

12 Déclaration de conformité CE (original)

Désignation :	Visseuse-perceuse sans fil
Désignation du modèle :	SF 2-A/SFD 2-A
Génération :	01
Année de fabrication :	2013

Nous déclarons sous notre seule et unique responsabilité que ce produit est conforme aux directives et normes suivantes : 2006/42/CE, 2004/108/CE, 2006/66/CE, 2011/65/UE, EN 60745-1, EN 60745-2-1, EN 60745-2-2, EN ISO 12100.

Hilti Corporation, Feldkircherstrasse 100, FL-9494 Schaan

Paolo Luccini
Head of BA Quality and Process Management
Business Area Electric Tools & Accessories
03/2014

Tassilo Deinzer
Executive Vice President
Business Unit Power Tools & Accessories
03/2014

Documentation technique par :
Hilti Entwicklungsgesellschaft mbH
Zulassung Elektrowerkzeuge
Hiltistrasse 6
86916 Kaufering
Deutschland

fr

ORIGINAL BRUGSANVISNING

SF 2-A/SFD 2-A Batteridrevet bore-/skruemaskine

Læs brugsanvisningen grundigt igennem før ibrugtagning.

Opbevar altid brugsanvisningen sammen med maskinen.

da Sørg for, at brugsanvisningen altid følger med ved overdragelse af maskinen til andre.

Indholdsfortegnelse

1	Generelle anvisninger	49
2	Beskrivelse	51
3	Værktøj, tilbehør	52
4	Tekniske specifikationer	53
5	Sikkerhedsanvisninger	54
6	Ibrugtagning	61
7	Anvendelse	63
8	Rengøring og vedligeholdelse	65
9	Fejlsøgning	67
10	Bortskaffelse	68
11	Producentgaranti - Produkter	69
12	EF-overensstemmelseserklæring (original)	69

I Disse tal henviser til illustrationer. Illustrationerne kan du finde på udfoldssiderne på omslaget. Kig på disse sider, når du læser brugsanvisningen.

I denne brugsanvisning henviser »maskinen« altid til den batteridrevne bore-/skruemaskine SF 2-A eller SFD 2-A med isat batteri.

Maskindele, betjenings- og displayelementer **I**

- ① Selvspændende borepatron (SF 2-A)
- ② Indstillingsring til drejningsmoment og boring
- ③ Gearvælger
- ④ Indvendig sekskant med låsetylle (SFD 2-A)
- ⑤ Omskifter til valg af højre-/venstretræk

- ⑥ Håndtag

- ⑦ Lampe

- ⑧ Bæltekrog (ekstratilbehør)

- ⑨ Ladestatusindikator

- ⑩ Frigøringsknap

- ⑪ Afbryder (med elektronisk hastighedsstyring)

da

1 Generelle anvisninger

1.1 Signalord og deres betydning

FARE

Står ved en umiddelbart truende fare, der kan medføre alvorlige kvæstelser eller døden.

ADVARSEL

Advarer om en potentielt farlig situation, der kan forårsage alvorlige personskader eller døden.

FORSIGTIG

Advarer om en potentielt farlig situation, der kan forårsage lettere personskader eller materielle skader.

BEMÆRK

Står ved anvisninger om brug og andre nyttige oplysninger.

1.2 Forklaring af piktogrammer og yderligere anvisninger

Advarselssymboler



Generel fare



Advarsel om farlig elektrisk spænding



Advarsel om ætsende stoffer

Påbudssymboler



Brug beskyttelsesbriller



Brug sikkerhedshjelm



Brug høreværn



Brug beskyttelses-
handsker

da



Brug støvmaske

Symboler



Læs
brugsanvisningen før
brug

V

volt



Jævnstrøm

n_0

Nominelt
omdrejningstal
ubelastet

/min

Omdrejninger pr.
minut



Boring uden
slagfunktion



Affald skal indleveres
til genvinding på en
genbrugsstation.

Placering af identifikationsoplysninger på maskinen

Typebetegnelsen fremgår af typeskiltet nederst på maskinens fod, og serienummeret er anbragt på siden af huset. Skriv disse oplysninger i brugsanvisningen, og henvis til disse, når du henvender dig til vores kundeservice eller værksted.

Type:

Generation: 01

Serienummer:

2 Beskrivelse

2.1 Anvendelsesformål

SF 2-A og SFD 2-A er håndførte batteridrevne bore-/skruemaskiner til iskruning og løsning af skruer og til boring i stål, træ og kunststof.

Det er ikke tilladt at bearbejde sundhedsfarlige materialer, f.eks. asbest.

Anvend ikke batterierne som energikilde for andre ikke specificerede forbrugere.

Det er ikke tilladt at modificere eller tilføje ekstra dele til maskinen.

Brug kun originalt Hilti-tilbehør og ekstraudstyr for at undgå ulykker.

Overhold forskrifterne i denne brugsanvisning med hensyn til drift, pleje og vedligeholdelse.

Maskinen er beregnet til professionel brug og må kun betjenes, efterses og vedligeholdes af autoriseret og instrueret personale. Dette personale skal i særdeleshed informeres om de potentielle farer, der er forbundet med brugen af denne maskine. Der kan opstå farlige situationer ved anvendelse af maskinen og det tilhørende udstyr, hvis det anvendes af personer, der ikke er blevet undervist i brugen af dem, eller hvis de ikke anvendes korrekt i henhold til forskrifterne i denne brugsanvisning.

Maskinen kan med fordel anvendes følgende steder og til følgende formål: på byggepladser, på værksteder, til renovering, til ombygning, til nybygning.

2.2 Værktøjsholder

Selvspændende borepatron til model SF 2-A og indvendig sekskant til model SFD 2-A.

2.3 Kontakt

Afbryder med elektronisk hastighedsstyring

Gearvælger

Omskifter til valg af højre-/venstreløb med startspærre

Indstillingsring til drejningsmoment og boring

2.4 Håndtag

Vibrationsdæmpet greb

2.5 Leveringsomfang i kuffert:

1 Maskine

1 Brugsanvisning

1 Hilti-kuffert

da

2.6 Leveringsomfang i papemballage:

- 1 Maskine
- 1 Brugsanvisning

2.7 Til brug af maskinen kræves desuden følgende:

Et batteri B 12/2.6 Li-Ion med lader C4/12-50.

da

2.8 Lithium-ion-batteriets ladetilstandsindikator

Lysdiode lyser	Lysdiode blinker	Ladetilstand C
Lysdiode 1, 2, 3, 4	-	$C \geq 75 \%$
Lysdiode 1, 2, 3	-	$50 \% \leq C < 75 \%$
Lysdiode 1, 2	-	$25 \% \leq C < 50 \%$
Lysdiode 1	-	$10 \% \leq C < 25 \%$
-	Lysdiode 1	$C < 10 \%$

2.9 Overbelastnings- og overophedningsbeskyttelse

Maskinen er udstyret med elektronisk overbelastningsbeskyttelse og overophedningsbeskyttelse. Ved overbelastning og overophedning slukkes maskinen automatisk. Hvis afbryderen slippes og trykkes ind igen, kan det medføre forsinket start (maskinens afkølingsfaser).

BEMÆRK

Overbelastning og overophedning vises ikke af lysdioderne på batteriet.

3 Værktøj, tilbehør

Betegnelse	Kort betegnelse
Lader til lithium-ion-batterier	C 4/12-50
Batteri	B 12/2.6 Li-Ion
Bæltékrog (ekstratilbehør)	

Betegnelse	Beskrivelse
Spændeområde Selvspændende borepatron	$\varnothing 0,8 \dots 10 \text{ mm}$
Boredybde i blødt træ	$\varnothing 0,8 \dots 14 \text{ mm}$

Betegnelse	Beskrivelse
Boreddybde i hårdt træ	∅ 0,8...10 mm
Boreddybde i metal	∅ 0,8...6 mm
Træskruer (maks. længde 80 mm)	∅ 3...6 mm

4 Tekniske specifikationer

da

Ret til tekniske ændringer forbeholdes!

Maskine	SF 2-A	SFD 2-A
Nominel spænding (jævnspænding)	10,8 V	10,8 V
Vægt i henhold til EPTA-procedure 01/2003	1,1 kg	1,0 kg
Omdrejningstal 1. gear (med B 12/2.6)	0...400/min	0...400/min
Omdrejningstal 2. gear (med B 12/2.6)	0...1.500/min	0...1.500/min
Drejningsmoment (boring i blødt materiale), indstillet på boriesymbol	Maks. 12 Nm	Maks. 12 Nm
Indstilling af drejningsmoment (15 trin)	0,5...3,5 Nm	0,5...3,5 Nm

BEMÆRK

Det vibrationsniveau, der angives i disse anvisninger, er målt med en målemetode, der opfylder bestemmelserne i EN 60745, og kan anvendes i forbindelse med en sammenligning af forskellige elværktøjer. Det kan også anvendes til en foreløbig vurdering af vibrationsbelastningen. Det angivne vibrationsniveau dækker de væsentlige anvendelsesformål for elværktøj. Hvis elværktøjet imidlertid anvendes til andre formål, med andre indsatsværktøjer eller utilstrækkelig vedligeholdelse, kan vibrationsniveauet afvige. Dette kan forøge vibrationsbelastningen i hele arbejdstiden markant. For at opnå en præcis vurdering af vibrationsbelastningen bør også den tid, hvor maskinen er slukket eller blot kører uden at blive anvendt, inddrages. Dette kan reducere vibrationsbelastningen i hele arbejdstiden markant. Fastlæg yderligere sikkerhedsforanstaltninger til beskyttelse af brugeren mod vibrationspåvirkninger, f.eks. er det vigtigt at vedligeholde elværktøj og indsatsværktøj, at holde hænderne varme og at organisere arbejdsprocesserne.

Støj- og vibrationsinformation (målt iht. EN 60745):

A-vægtet lydeffektniveau for SF 2-A/SFD 2-A	75 dB (A)
A-vægtet lydeffektniveau for SF 2-A/SFD 2-A	64 dB (A)
Usikkerhed for de nævnte lyd-niveauer	3 dB (A)

da Triaksiale vibrationsværdier (vibrationsvektorsum)	Målt i henhold til EN 60745-2-2
Til SF 2-A/SFD 2-A: Skruning uden slagfunktion, a_n	0,5 m/s ²
Usikkerhed (K)	1,5 m/s ²

Triaksiale vibrationsværdier (vibrationsvektorsum)	Målt i henhold til EN 60745-2-1
Til SF 2-A/SFD 2-A: Boring i metal, $a_{h,D}$	1,9 m/s ²
Usikkerhed (K) for triaksiale vibrationsmålingerne	1,5 m/s ²

Batteri	B 12/2.6 Li-Ion
Nominal spænding	10,8 V
Kapacitet	2,6 Ah
Energiindhold	28,08 Wh
Vægt	0,24 kg
Temperaturovervågning	Ja
Batteritype	Lithium-ion
Antal battericeller	3 stk.

5 Sikkerhedsanvisninger

BEMÆRK

Sikkerhedsafsnittet i kapitlet 5.1 indeholder alle generelle sikkerhedsanvisninger vedrørende elværktøj, og i henhold til gældende bestemmelser skal disse anføres i brugsanvisningen. Der kan således forekomme anvisninger, der ikke er relevante for denne maskine.

5.1 Generelle sikkerhedsanvisninger for elværktøj

a) ADVARSEL

Læs alle sikkerhedsanvisninger og instruktioner. Hvis sikkerhedsanvisningerne og instruktionerne ikke overholdes, er der risiko for elektrisk stød, brand og/eller alvorlige personskader. **Opbevar alle sikkerhedsanvisninger og instruktioner til senere brug.** Det benyttede begreb "elværktøj" i sikkerhedsanvisningerne refererer til elektriske maskiner (med netledning) og batteridrevne maskiner (uden netledning).

da

5.1.1 Arbejdspladssikkerhed

- Sørg for at holde arbejdsområdet ryddeligt og godt oplyst.** Uorden eller uoplyste arbejdsområder øger faren for uheld.
- Brug ikke elværktøj i eksplosionstruede omgivelser, hvor der er brændbare væsker, gasser eller støv.** Maskiner kan slå gnister, der kan antænde støv eller dampe.
- Sørg for, at andre personer og ikke mindst børn holdes væk fra arbejdsområdet, når maskinen er i brug.** Hvis man distraheres, kan man miste kontrollen over maskinen.

5.1.2 Elektrisk sikkerhed

- Elværktøjets stik skal passe til kontakten. Stikket må under ingen omstændigheder ændres. Brug ikke adapterstik sammen med jordforbundne elværktøj.** Uændrede stik, der passer til kontakterne, nedsætter risikoen for elektrisk stød.
- Undgå kropskontakt med jordforbundne overflader som f.eks. rør, radiatorer, komfurer og køleskabe.** Hvis din krop er jordforbundet, øges risikoen for elektrisk stød.
- Elværktøj må ikke udsættes for regn eller fugt.** Indtrængning af vand i elværktøj øger risikoen for elektrisk stød.
- Brug ikke ledningen til formål, den ikke er beregnet til (f.eks. må man aldrig bære elværktøjet i ledningen, hænge det op i ledningen eller rykke i ledningen for at trække stikket ud af kontakten). Beskyt ledningen mod varme, olie, skarpe kanter eller maskindele, der er i bevægelse.** Beskadigede eller sammenviklede ledninger øger risikoen for elektrisk stød.
- Hvis maskinen benyttes i det fri, må der kun benyttes en forlængerledning, der er egnet til udendørs brug.** Brug af forlængerledning til udendørs brug nedsætter risikoen for elektrisk stød.
- Hvis det ikke kan undgås at anvende elværktøjet i fugtige omgivelser, skal du anvende et fejlstrømsrelæ.** Anvendelsen af et fejlstrømsrelæ nedsætter risikoen for et elektrisk stød.

5.1.3 Personlig sikkerhed

da

- a) **Det er vigtigt at være opmærksom, se, hvad man laver, og bruge maskinen fornuftigt. Man bør ikke bruge elværktøjet, hvis man er træt, har nydt alkohol eller er påvirket af medicin eller euforiserende stoffer.** Få sekunders uopmærksomhed ved brug af elværktøjet kan medføre alvorlige personskader.
- b) **Brug beskyttelsesudstyr, og hav altid beskyttelsesbriller på.** Brug af sikkerhedsudstyr som f.eks. støvmaske, skridsikkert fodtøj, beskyttelses-hjelm eller høreværn afhængigt af maskintype og anvendelse nedsætter risikoen for personskader.
- c) **Undgå utilsigtet igangsætning. Kontrollér, at elværktøjet er frakoblet, før du slutter det til strømforsyningen og/eller batteriet, tager det op eller transporterer det.** Undgå at bære elværktøjet med fingeren på afbryderen, og sørg for, at det ikke er tændt, når det slutes til nettet, da dette øger risikoen for personskader.
- d) **Fjern indstillingsværktøj eller skruenøgler, inden elværktøjet tændes.** Hvis et stykke værktøj eller en nøgle sidder i en roterende maskindelen, er der risiko for personskader.
- e) **Undgå at arbejde i unormale kropstillinger. Sørg for at stå sikkert, mens der arbejdes, og kom ikke ud af balance.** Det er derved nemmere at kontrollere elværktøjet, hvis der skulle opstå uventede situationer.
- f) **Brug egnet arbejdstøj. Undgå løse beklædningsgenstande eller smykker. Hold hår, tøj og handsker væk fra dele, der bevæger sig.** Dele, der er i bevægelse, kan gribe fat i løstsiddende tøj, smykker eller langt hår.
- g) **Hvis støvudsugnings- og opsamlingsudstyr kan monteres, er det vigtigt, at dette tilsluttes og benyttes korrekt.** Ved at anvende en støvudsugning er det muligt at nedsætte risiciene som følge af støv.

5.1.4 Anvendelse og pleje af elværktøj

- a) **Undgå at overbelaste maskinen. Brug altid en maskine, der er beregnet til det stykke arbejde, der skal udføres.** Med det rigtige værktøj arbejder man bedst og mest sikkert inden for det angivne effektområde.
- b) **Brug ikke maskinen, hvis afbryderen er defekt.** En maskine, der ikke kan startes og stoppes, er farlig og skal repareres.
- c) **Træk stikket ud af stikkontakten, og/eller fjern batteriet fra maskinen, inden du foretager indstillinger på den, skifter tilbehørsdele eller lægger den til side.** Disse sikkerhedsforanstaltninger forhindrer utilsigtet start af elværktøjet.

- d) **Opbevar ubenyttede maskiner uden for børns rækkevidde. Lad aldrig personer, der ikke er fortrolige med maskinen eller ikke har gennemlæst sikkerhedsanvisningerne benytte maskinen.** Maskiner er farlige, hvis de benyttes af ukyndige personer.
- e) **Sørg for at pleje elværktøj omhyggeligt. Kontrollér, om bevægelige dele fungerer korrekt og ikke sidder fast, og om delene er brækket eller beskadiget, således at elværktøjets funktion påvirkes. Få beskadigede dele repareret, inden elværktøjet tages i brug.** Mange uheld skyldes dårligt vedligeholdte elværktøjer.
- f) **Sørg for, at skæreværktøjer er skarpe og rene.** Omhyggeligt vedligeholdte skæreværktøjer med skarpe skærekanter sætter sig ikke så hurtigt fast og er nemmere at føre.
- g) **Anvend elværktøj, tilbehør, indsatsværktøj osv. i overensstemmelse med disse anvisninger. Tag hensyn til arbejdsforholdene og det arbejde, der skal udføres.** I tilfælde af anvendelse af maskinen til formål, som ligger uden for det fastsatte anvendelsesområde, kan der opstå farlige situationer.

da

5.1.5 Anvendelse og pleje af batteridrevet elværktøj

- a) **Oplad kun batterier i ladere, der er anbefalet af fabrikanten.** Der er risiko for brand, hvis en lader, der er beregnet til et bestemt batteri, anvendes til opladning af en anden batteritype.
- b) **Brug kun de batterier, der er beregnet til elværktøjet.** Brug af andre batterier øger risikoen for personskader og er forbundet med brandfare.
- c) **Ikke benyttede batterier må ikke komme i berøring med kontorclips, mønter, nøgler, søm, skruer eller andre små metalgenstande, da disse kan kortslutte kontakterne.** En kortslutning mellem batterikon-takterne øger risikoen for personskader i form af forbrændinger.
- d) **Hvis batteriet anvendes forkert, kan der løbe væske ud af batteriet. Undgå at komme i kontakt med denne væske. Hvis det alligevel skulle ske, skylles med vand. Søg læge, hvis væsken kommer i øjnene.** Batterivæske kan give hudirritation eller forbrændinger.

5.1.6 Service

- a) **Sørg for, at elværktøjet kun reparerer af kvalificerede fagfolk, og at der altid benyttes originale reservedele.** Dermed sikres størst mulig elværktøjssikkerhed.

5.2 Sikkerhedsanvisninger for boremaskiner

- a) **Brug høreværn ved slagboring.** Støjpåvirkningen kan medføre høretab.
- b) **Brug de ekstrahåndgreb, som følger med maskinen.** Hvis du mister kontrollen, kan det medføre personskader.

- c) **Hold maskinen på de isolerede grebsflader, når du udfører opgaver, hvor indsatsværktøjet kan ramme skjulte strømledninger.** Ved kontakt med en spændingsførende ledning kan også metalliske værktøjsdele sættes under spænding, hvilket kan medføre elektrisk stød.

5.3 Yderligere sikkerhedsanvisninger

5.3.1 Personlig sikkerhed

- da** a) **Hold maskinen på de isolerede grebsflader, når du udfører opgaver, hvor skruen kan ramme skjulte strømledninger.** Ved kontakt mellem skruen og en spændingsførende ledning kan også metalliske værktøjsdele sættes under spænding, hvilket kan medføre elektrisk stød.
- b) **Hold altid fat i maskinen med begge hænder på de dertil beregnede håndtag. Sørg for at holde håndtagene tørre og rene samt fri for olie og fedt.**
- c) **Hold pauser under arbejdet, og lav afspændings- og fingerøvelser, så dine fingre får en bedre blodgennemstrømning.**
- d) **Undgå at berøre roterende dele. Tænd først maskinen, når du befinder dig i arbejdsområdet.** Berøring af roterende dele, især roterende værktøjer, kan medføre personskader.
- e) **Sæt omskifteren til valg af højre-/venstreløb i midterposition (start-spærre) under opbevaring og transport af maskinen.**
- f) **Maskinen må ikke anvendes af børn eller svagelige personer, der ikke er instrueret i brugen.**
- g) **Børn bør gøres opmærksomme på, at de ikke må lege med maskinen.**
- h) Støv fra materialer såsom blyholdig maling, visse træsorter, mineraler og metal kan være sundhedsfarlige. Berøring eller indånding af støv kan medføre allergiske reaktioner og/eller luftvejssygdomme hos brugeren eller personer, der opholder sig i nærheden. Bestemte støvtyper, f.eks. støv fra ege- og bøgetræ, er kræftfremkaldende, især i forbindelse med tilsætningsstoffer til træbehandling (kromat, træbeskyttelsesmidler). Asbestholdige materialer må kun bearbejdes af fagfolk. **Anvend så vidt muligt støvudsugning. For at sikre en effektiv støvudsugning anbefales det at anvende en egnet mobil støvudsugning anbefalet af Hilti til træ- og/eller mineralstøv, som er tilpasset til det pågældende elværktøj. Sørg for god udluftning af arbejdspladsen. Det anbefales at bruge åndedrætsværn med filterklasse P2. Overhold de gældende nationale forskrifter vedrørende de materialer, der skal bearbejdes.**

5.3.2 Omhyggelig omgang med og brug af elværktøj

- a) **Sørg for at sikre emnet. Brug fastspændingsværktøj eller en skruestik til at fastspænde emnet.** På den måde holdes det mere

sikkert fast end med hånden, og du har desuden begge hænder fri til at betjene maskinen.

- b) **Kontrollér, at værktøjet passer til maskinens værktøjsholder, og at det er låst korrekt fast i holderen.**
- c) **Store, tunge indsatsværktøjer må kun anvendes i første gear.** I modsat fald er der fare for, at maskinen bliver beskadiget ved frakobling, eller at borepatronen kan løsne sig under ugunstige omstændigheder.

5.3.3 Omhyggelig omgang med og brug af batteridrevet elværktøj

da

- a) **Kontroller, at instrumentet er slukket, inden batteriet sættes i.** Det kan være farligt at sætte et batteri i en maskine, der er tændt.
- b) **Udsæt ikke batterier for høje temperaturer, og hold dem væk fra ild.** Der er eksplosionsfare.
- c) **Batterierne må ikke adskilles, klemmes, opvarmes til over 80 °C eller brændes.** I modsat fald er der fare for brand, eksplosion og ætsning.
- d) **Undgå indtrængning af fugt.** Indtrængende fugt kan medføre en kortslutning og forårsage forbrændinger eller brand.
- e) **Anvend altid kun de godkendte batterier til det pågældende elværktøj.** Hvis der anvendes ikke-godkendte batterier, eller hvis batterierne anvendes til ikke-godkendte formål, er der fare for brand og eksplosion.
- f) **Læs de særlige retningslinjer for transport, opbevaring og brug af lithium-ion-batterier.**
- g) **Fjern batteriet ved opbevaring og transport af maskinen.**
- h) **Undgå, at der sker en kortslutning i batteriet. Kontrollér, at batterikontakterne og maskinen er ren og fri for fremmedlegemer, før du sætter batteriet i maskinen.** Hvis kontakterne til batteriet kortsluttes, er der risiko for brand, eksplosion og ætsning.
- i) **Defekte batterier (for eksempel batterier med revner, ødelagte dele, bøjede, tilbageslåede og/eller udtrukne kontakter) må ikke genoplades og genbruges.**
- j) Hvis batteriet er for varmt til at holde ved, kan det være defekt. **Placer apparatet på et ikke-brændbart sted i tilstrækkelig afstand til brændbare materialer, hvor det er muligt at holde øje med det, og lad det køle af. Kontakt Hiltis serviceafdeling, når batteriet er kølet af.**

5.3.4 Elektrisk sikkerhed



da

Kontrollér før påbegyndelse af arbejdet arbejdsområdet for skjulte elektriske ledninger, gas- og vandrør, f.eks. med en metaldetektor. Udvendige metaldele på maskinen kan blive spændingsførende, hvis du f.eks. utilsigtet har beskadiget en elledning. Dette medfører en alvorlig fare for at få elektrisk stød.

5.3.5 Arbejdsplads

- Sørg for god belysning på arbejdspladsen.**
- Sørg for god udluftning af arbejdspladsen.** Dårligt udluftede arbejdspladser kan være sundhedsskadelige som følge af støvpåvirkningen.

5.3.6 Personligt beskyttelsesudstyr



Brugeren og personer, der opholder sig i nærheden, skal under brugen af maskinen bære beskyttelsesbriller, sikkerhedshjelm, høreværn, beskyttelsehandsker og et let åndedrætsværn.

6 Ibrugtagning



6.1 Korrekt håndtering af batteriet

BEMÆRK

Ved lave temperaturer forringes batteriets ydeevne. Arbejd kun med et fuldt opladet batteri. Derved får du det maksimale udbytte af batteriet. Skift i god tid til det andet batteri. Sæt samtidig det afladede batteri til opladning, så det er klar til næste gang, der skal skiftes batteri.

Opbevar batteriet køligt og tørt. Opbevar ikke batteriet i direkte sollys, på radiatorer eller i et vindue. Når batterierne ikke længere kan anvendes, skal de bortskaffes miljømæssigt forsvarligt og sikkert.

6.2 Opladning af batteri



FARE

Brug kun de Hilti-batterier og -ladere, der er angivet i afsnittet "Tilbehør".

6.2.1 Førstegangsopladning af et nyt batteri

Lad batterierne helt op før første ibrugtagning.

6.2.2 Opladning af et afladet batteri

Kontrollér, at batteriet er rent og tørt, før det sættes i laderen. Oplysninger vedrørende opladning finder du i laderens brugsanvisning. Lithium-ion-batterier kan også anvendes i delvis opladet tilstand.

6.3 Isætning af batteri

FORSIGTIG

Kontrollér, at maskinen er slukket, og at omskifteren til valg af højre-/venstreløb står i midterposition (startspærre), før batteriet sættes i

da

maskinen. Brug kun de Hilti-batterier, der er godkendt til brug sammen med din maskine.

FORSIGTIG

Kontrollér, at batteriets kontakter og kontakterne i instrumentet er fri for fremmedlegemer, inden du sætter batteriet i instrumentet.

1. Skub batteriet i maskinen forfra, indtil det går i indgreb med et tydeligt klik på anslaget.
2. **FORSIGTIG** Et batteri, som falder på gulvet, kan være til fare for dig selv og andre.
Kontrollér, at batteriet er sat korrekt i maskinen.

da

6.4 Udtagning af batteri 2

1. Tryk på frigøringsknappen.
2. Træk batteriet ud af maskinen fra forsiden.

6.5 Transport og opbevaring af batterier

Tag batteriet ud af maskinen i forbindelse med transport og opbevaring. Sørg for, at kontakterne på batteriet ikke kortslyttes. Fjern løse metaldele, f.eks. skruer, søm, klammer, løse skruebits, tråd eller metalspånere fra kufferten, værktøjskassen eller transportbeholderen, eller sørg for, at batteriet ikke kan komme i kontakt med sådanne dele.

Ved forsendelse af batterier (vej-, skinne-, sø- eller lufttransport) skal nationalt og internationalt gældende transportforskrifter overholdes.

6.6 Bæltekrog 3

FORSIGTIG

Kontrollér før arbejdets begyndelse, at bæltekrogen er sikkert fastgjort.

Med bæltekrogen kan du fastgøre maskinen i bæltet tæt på kroppen. Endvidere er det muligt for venstrehådede at placere bæltekrogen på den anden side af maskinen.

1. Tag batteriet ud af maskinen.
2. Sæt skruepladen i den dertil beregnede føring.
3. Fastgør bæltekrogen med de to skruer.



FORSIGTIG

Maskinen kan blive varm under brugen. **Brug beskyttelsehandsker.**

FORSIGTIG

Ved boring og skrining kan maskinen skride til siden.

FORSIGTIG

Brug handsker ved værktøjsskift, så du undgår at komme til skade på værktøjet.

da

7.1 Indstilling af højre-/venstreløb 4

BEMÆRK

Værktøjsspindlen indstilles til højre-/venstreløb ved hjælp af omskifteren til valg af højre-/venstreløb. En spærre forhindrer skift mellem højre- og venstreløb, når maskinen er i gang. Når omskifteren til valg af højre-/venstreløb står i midterpositionen, er afbryderen blokeret. Hvis omskifteren til valg af højre-/venstreløb trykkes mod venstre (i maskinens arbejdsretning), er højreløb valgt. Hvis omskifteren til valg af højre-/venstreløb trykkes mod højre (i maskinens arbejdsretning), er venstreløb valgt.

7.2 Valg af omdrejningstalområde 5

ADVARSEL

Store, tunge indsatsværktøjer må kun anvendes i første gear. I modsat fald er der fare for, at maskinen bliver beskadiget ved frakobling, eller at borepatronen kan løsne sig under ugunstige omstændigheder.

BEMÆRK

Med gearvælgeren er det muligt at vælge omdrejningstalområde. Omdrejningstalområder for SF 2-A/SFD 2-A ved helt opladet batteri: 1. gear 0-400 o/min, 2. gear: 0-1500 o/min.

BEMÆRK

Gearvælgeren kan kun betjenes, når motoren er standset.

7.3 Tænd/sluk

Hastigheden reguleres trinløst til det maksimale omdrejningstal ved at trykke afbryderen langsomt ind.

7.4 Værktøjsskift

FORSIGTIG

Anvend beskyttelseshandsker, når der skal skiftes værktøj, da værktøjet bliver meget varmt ved brug.

Kontrollér, at værktøjets indstiksende er ren. Rengør om nødvendigt indstiksenden.

da

7.4.1 Værktøjsskift ved SF 2-A

BEMÆRK

Maskinen er udstyret med en selvspændende borepatron til fastgørelse af diverse værktøjer, f.eks. bor, bit og bitholder.

7.4.1.1 Indsætning af værktøj

1. Sæt omskifteren til valg af højre-/venstreløb i midterposition, eller tag batteriet ud af maskinen.
2. Åbn den selvspændende borepatron.
3. Sæt værktøjet i værktøjsholderen, og spænd den selvspændende borepatron til.
4. Kontrollér, at den holder værktøjet sikkert.

7.4.1.2 Udtagning af værktøj

1. Sæt omskifteren til valg af højre-/venstreløb i midterposition, eller tag batteriet ud af maskinen.
2. Åbn den selvspændende borepatron.
3. Træk værktøjet ud af værktøjsholderen.

7.4.2 Værktøjsskift ved SFD 2-A

BEMÆRK

Maskinen er udstyret med en 1/4" indvendig sekskant med låsetylle til fastgørelse af diverse værktøj (f.eks. bor, bit og bitholder).

7.4.2.1 Indsætning af værktøj

1. Sæt omskifteren til valg af højre-/venstreløb i midterposition, eller tag batteriet ud af maskinen.
2. Skub låsetyllen fremad på den indvendige sekskant, og hold den fast i denne position.
3. Sæt værktøjet i den indvendige sekskant indtil anslag, og slip låsetyllen.
4. Kontrollér, at den holder værktøjet sikkert.

7.4.2.2 Udtagning af værktøj

1. Sæt omskifteren til valg af højre-/venstreløb i midterposition, eller tag batteriet ud af maskinen.
2. Skub låsetylen fremad på den indvendige sekskant, og hold den fast i denne position.
3. Træk værktøjet ud af den indvendige sekskant, og slip låsetylen.

7.5 Boring

FORSIGTIG

Brug fastspændingsværktøj eller en D-skruestik til at fastspænde emnet. Dermed holdes det mere sikkert fast end med hånden, og du har desuden begge hænder fri til at betjene maskinen.

1. Drej ringen til indstilling af drejningsmoment og boring hen på boresymbolet.
2. Indstil omskifteren til valg af højre-/venstreløb til højreløb.

7.6 Skruning

1. Indstil det ønskede drejningsmoment på indstillingsringen for drejningsmoment og boring.
2. Indstil maskinen til højre-/venstreløb på omskifteren til valg af højre-/venstreløb.

7.7 Aflæsning af ladetilstandsindikatoren på lithium-ion-batterier 7

BEMÆRK

Under driften er det ikke muligt at få vist ladetilstanden.

BEMÆRK

Ved isætning af batteriet i maskinen lyser ladetilstandsindikatorens lysdioder kortvarigt op.

Lithium-ion-batteriet er forsynet med en ladetilstandsindikator. Hvis maskinen ikke er i drift, vises ladetilstanden med fire lysdioder på batteriet, når man trykker på frigøringsknappen.

8 Rengøring og vedligeholdelse

FORSIGTIG

Tag batteriet ud af maskinen før rengøring for at forhindre utilsigtet start af maskinen!

da

8.1 Rengøring af bor etc.

Fjern støv og skidt, som har sat sig fast, og beskyt overfladen mod korrosion ved med jævne mellemrum at aftørre med en klud fugtet i olie.

8.2 Rengøring af maskinen

FORSIGTIG

Hold maskinen, især gribepladerne, tørre, rene og fri for olie og fedt.

da **Anvend ikke silikoneholdige plejemidler.**

Maskinhuset er fremstillet af et slagfast plastmateriale. Grebene er fremstillet af et elastomer-materiale.

Anvend aldrig maskinen, hvis ventilationsåbningerne er tilstoppede! Rengør forsigtigt ventilationsåbningerne med en tør børste. Sørg for, at der ikke trænger fremmedlegemer ind i maskinen. Rengør jævnligt huset udvendigt med en let fugtig klud. Anvend ikke spray, dampstråler eller rindende vand til rengøring! Det kan forringe maskinens elektriske sikkerhed.

8.3 Vedligeholdelse af lithium-ion-batterier

Undgå indtrængning af fugt.

Lad batterierne helt op før første ibrugtagning.

For at sikre en maksimal levetid for batterierne skal du holde op med at bruge batteriet, når batteriydelsen falder markant.

BEMÆRK

Hvis du fortsætter med at bruge batteriet, standses afladningen automatisk, før battericellerne tager skade.

Oplad batterierne med de godkendte ladere fra Hilti til lithium-ion-batterier.

BEMÆRK

- Vedligeholdelsesopladning af batterierne som ved NiCd- og NiMH-batterier er ikke nødvendig.
- Afbrydelse af opladningen nedsætter ikke batteriernes levetid.
- Opladningen kan påbegyndes til enhver tid uden at nedsætte levetiden. Der er ikke nogen hukommelseffekt som ved NiCd- og NiMH-batterier.
- Batterier skal i fuldt opladet tilstand så vidt muligt opbevares køligt og tørt. Opbevaring af batterier ved høje omgivende temperaturer (i et vindue) er uhensigtsmæssig, nedsætter batteriernes levetid og forøger battericellernes selvafladningshastighed.
- Hvis et batteri ikke længere kan lades helt op, har det mistet kapacitet som følge af alder eller overbelastning. Du kan fortsat arbejde med batteriet. Du bør dog snarest udskifte det med et nyt.

8.4 Vedligeholdelse

ADVARSEL

Reparationer på de elektriske dele må kun udføres af en elektriker.

Kontrollér regelmæssigt alle udvendige dele på maskinen for beskadigelse og fejlfri funktion. Brug ikke maskinen, hvis der er beskadigede dele, eller hvis der er betjeningslementer, som ikke fungerer fejlfrit. Send maskinen til reparation hos Hilti-service.

8.5 Kontrol efter rengøring og vedligeholdelse

Efter rengørings- og vedligeholdelsesarbejde skal du kontrollere, at alt sikkerhedsudstyr sidder, som det skal, og fungerer fejlfrit.

da

9 Fejlsøgning

Fejl	Mulig årsag	Afhjælpning
Maskinen virker ikke.	Batteriet er ikke korrekt isat, eller batteriet er fladt.	Batteriet skal gå i indgreb med en tydelig kliklyd / batteriet skal lades op.
	Elektrisk fejl.	Tag batteriet ud af apparatet, og kontakt Hiltis kundeservice.
Tænd-/slukknappen kan ikke trykkes ned eller er blokeret.	Sæt omskifteren til valg af højre-/venstreløb i midterposition (trans-portstilling).	Tryk omskifteren til valg af højre-/venstreløb til venstre eller højre.
Batteriet aflades hurtigere end normalt.	Batterieffekten er ikke optimal.	Diagnose hos Hiltis kundeservice eller udskiftning af batteri.
Batteriet går ikke i indgreb med et hørbart klik.	Der er snavs på batteriets indgrebstapper.	Rengør indgrebstapperne, og sæt batteriet i maskinen. Kontakt Hiltis kundeservice, hvis det ikke løser problemet.
Kraftig varmeudvikling i maskinen eller batteriet.	Elektrisk defekt.	Sluk omgående maskinen, tag batteriet ud, og kontakt Hiltis kundeservice.

Fejl	Mulig årsag	Afhjælpning
Kraftig varmeudvikling i maskinen eller batteriet.	Maskinen er blevet overbelastet (anvendelsesgrænse overskredet).	Vælg det rigtige værktøj til formålet.

10 Bortskaffelse

da FORSIGTIG

Hvis udstyret ikke bortskaffes korrekt, kan der ske følgende: Ved afbrænding af plastikdele kan der opstå giftig røggas, som man kan blive syg af at indånde. Ved beskadigelse eller kraftig opvarmning kan batteriet eksplodere og dermed forårsage forgiftning, forbrænding, ætsning eller forurening af miljøet. Ved en skødesløs bortskaffelse kan udstyret havne i hænderne på ukyndige personer, som ikke ved, hvordan udstyret anvendes korrekt. Dette kan medføre, at du eller andre kommer slemt til skade, eller at miljøet forurenes.

FORSIGTIG

Bortskaf omgående defekte batterier. Opbevar disse utilgængeligt for børn. Batterier må ikke adskilles eller brændes.

FORSIGTIG

Bortskaf batterierne efter gældende nationale regler, eller indlevér de brugte batterier til Hilti.



Størstedelen af de materialer, som anvendes ved fremstillingen af Hilti-produkter, kan genbruges. Materialerne skal sorteres, før de kan genbruges. I mange lande findes der allerede ordninger, hvor Hilti indsamler sine brugte maskiner til genbrug. Yderligere oplysninger får du hos Hilti-kundeservice eller din lokale Hilti-konsulent.



Kun for EU-lande

Elværktøj må ikke bortskaffes som almindeligt affald!

I henhold til Rådets direktiv om bortskaffelse af elektriske og elektroniske produkter og gældende national lovgivning skal brugte maskiner indsamles separat og bortskaffes på en måde, der skåner miljøet mest muligt.

11 Producentgaranti - Produkter

Hvis du har spørgsmål vedrørende garantibetingelserne, bedes du henvende dig til din lokale HILTI-partner.

12 EF-overensstemmelseserklæring (original)

da

Betegnelse:	Batteridrevet bore-/skruemaskine
Typebetegnelse:	SF 2-A/SFD 2-A
Generation:	01
Produktionsår:	2013

Vi erklærer som eneansvarlige, at dette produkt er i overensstemmelse med følgende direktiver og standarder: 2006/42/EU, 2004/108/EU, 2006/66/EF, 2011/65/EU, EN 60745-1, EN 60745-2-1, EN 60745-2-2, EN ISO 12100.

Hilti Corporation, Feldkircherstrasse 100, FL-9494 Schaan



Paolo Luccini
Head of BA Quality and Process Management
Business Area Electric Tools & Accessories
03/2014



Tassilo Deinzer
Executive Vice President
Business Unit Power Tools & Accessories
03/2014

Tekniske dokumentation ved:
Hilti Entwicklungsgesellschaft mbH
Zulassung Elektrowerkzeuge
Hiltistrasse 6
86916 Kaufering
Deutschland

BRUKSANVISNING I ORIGINAL

SF 2-A/SFD 2-A Batteridrivna borrar- skruvdragare

Läs noga igenom bruksanvisningen innan du använder verktyget.

Förvara alltid bruksanvisningen tillsammans med verktyget.

Lämna aldrig ifrån dig verktyget till andra personer utan att även ge dem bruksanvisningen.

SV

Innehållsförteckning

1	Allmän information	71
2	Beskrivning	73
3	Verktyg, Tillbehör	74
4	Teknisk information	75
5	Säkerhetsföreskrifter	76
6	Före start	82
7	Drift	84
8	Skötsel och underhåll	87
9	Felsökning	88
10	Avfallshantering	89
11	Tillverkarens garanti	90
12	Försäkran om EU-konformitet (original)	90

1 Siffrorna hänvisar till olika bilder. Bilderna som hör till texten hittar du på det utvikbara omslaget. Ha alltid detta uppslaget vid genomgång av bruksanvisningen.

I denna bruksanvisning avser "verktyget" den batteridrivna borrar-skruvdragaren SF 2-A eller SFD 2-A med isatt batteri.

Verktygets delar, reglage och indikeringar **1**

- ① Snabbchuck (SF 2-A)
- ② Inställningsring för vridmoment och borring
- ③ Växelbrytare
- ④ Insexfäste med låshylsa (SFD 2-A)
- ⑤ Omkopplare för höger- och vänstervarv

- ⑥ Handtag
- ⑦ Lampa
- ⑧ Bälteshake (tillval)
- ⑨ Laddningsindikering
- ⑩ Spärr
- ⑪ Strömbrytare (med elektronisk varvtalsreglering)

1 Allmän information

SV

1.1 Riskindikationer och deras betydelse

FARA

Anger överhängande risker som kan leda till svåra personskador eller dödsolycka.

VARNING

Anger en potentiell risksituation som skulle kunna leda till allvarlig personskada eller dödsolycka.

FÖRSIKTIGHET

Anger situationer som kan vara farliga och leda till skador på person eller utrustning.

OBSERVERA

Används för viktiga anmärkningar och annan praktisk information.

1.2 Förklaring av illustrationer och fler anvisningar

Varningssymboler



Varning: Allmän fara



Varning: El



Varning: frätande substans

Påbudssymboler



Använd skyddsglasögon



Använd skyddshjälm



Använd hörselskydd



Använd skyddshandskar

SV



Använd andningsskydd

Övriga symboler



Läs bruksanvisningen före användning



Volt



Likström



Nominellt varvtal, obelastat



Varv per minut



Borring utan slag



Återvinn avfallet

Här hittar du identifikationsdetaljerna på utrustningen

Typbeteckningen finns på typslykten på verktygets fot och serienumret finns på sidan av höljet. Skriv in dessa uppgifter i bruksanvisningen så att du alltid kan ange dem om du vänder dig till vår representant eller serviceverkstad.

Typ:

Generation: 01

Serienr:

2 Beskrivning

2.1 Korrekt användning

SF 2-A och SFD 2-A är handhållna, batteridrivna borrar och skruvdragare för skruvdragning och borrar i stål, trä och plast.

Hälsosovådliga material (som asbest) får inte bearbetas.

Använd inte batteriet som energikälla för andra ospecificerade belastningsobjekt.

Verktyget får inte ändras eller byggas om på något sätt.

För att undvika skador bör du endast använda originaltillbehör och verktyg från Hilti.

Observera de råd beträffande användning, skötsel och underhåll som ges i bruksanvisningen.

Verktyget är avsett för yrkesmässig användning och får endast användas, underhållas och startas av auktoriserad, utbildad personal. Personalen måste vara särskilt informerad om de eventuella risker som kan uppstå. Verktyget och dess tillbehör kan utgöra en risk om de används på ett felaktigt sätt av utbildad personal eller inte används enligt föreskrifterna.

Arbetsområden kan vara: byggnadsplats, verkstad, renovering, ombyggnad och nybyggnation.

SV

2.2 Chuck

Snabbchuck för modell SF 2-A och insexfäste för modell SFD 2-A.

2.3 Strömbrytare

Strömbrytare med elektronisk varvtalsreglering

Växelbrytare

Omkopplare för höger- och vänstervarv med påkopplingsspår

Inställningsring för vridmoment och borrar

2.4 Grepp

Vibrationsdämpat handtag

2.5 Vid leveransen ingår i lådan:

1 Verktyg

1 Bruksanvisning

1 Hilti-verktygslåda

2.6 Vid leveransen ingår i kartongen:

- 1 Verktyg
- 1 Bruksanvisning

2.7 Följande behövs också för att använda verktyget:

Ett batteripaket B 12/2.6 Li-Ion med batteriladdare C4/12-50.

SV

2.8 Laddningsindikering för litiumjonbatteriet

Lysdiod fast sken	Lysdiod blinkande	Laddningsstatus C
Lysdiod 1, 2, 3, 4	-	$C \geq 75 \%$
Lysdiod 1, 2, 3	-	$50 \% \leq C < 75 \%$
Lysdiod 1, 2	-	$25 \% \leq C < 50 \%$
Lysdiod 1	-	$10 \% \leq C < 25 \%$
-	Lysdiod 1	$C < 10 \%$

2.9 Överlast- och överhettningsskydd

Verktyget är utrustat med elektroniskt överlastskydd och överhettningsskydd. Vid överlastning och överhettning stängs verktyget av automatiskt. Om strömbrytaren släpps och trycks ner igen kan det leda till aktiveringsfördröjning (avkylningsfaser för verktyget).

OBSERVERA

Överbelastning eller överhettning visas inte med lysdiодerna på batteriet.

3 Verktyg, Tillbehör

Beteckning	Symbol
Batteriladdare för litiumjonbatterier	C 4/12-50
Batteri	B 12/2.6 Li-Ion
Bälteshake (tillval)	

Beteckning	Beskrivning
Spännområde snabbchuck	$\varnothing 0,8 \dots 10 \text{ mm}$
Borrhålsdiameter i trä (mjukt)	$\varnothing 0,8 \dots 14 \text{ mm}$
Borrhålsdiameter i trä (hårt)	$\varnothing 0,8 \dots 10 \text{ mm}$

Beteckning	Beskrivning
Borrhålsdiameter i metall	∅ 0,8...6 mm
Träskruvar (max. längd 80 mm)	∅ 3...6 mm

4 Teknisk information

Med reservation för tekniska ändringar!

Verktyg	SF 2-A	SFD 2-A
Märkspänning (likström)	10,8 V	10,8 V
Vikt enligt EPTA-direktivet 01/2003	1,1 kg	1,0 kg
Varvtal 1:a växeln (med B 12/2.6)	0...400/min	0...400/min
Varvtal 2:a växeln (med B 12/2.6)	0...1 500/min	0...1 500/min
Vridmoment (vid skruvning i mjukt underlag), inställning borsymbol	Max. 12 Nm	Max. 12 Nm
Inställning av vridmoment (15 steg)	0,5...3,5 Nm	0,5...3,5 Nm

SV

OBSERVERA

Vibrationsnivån som anges i dessa instruktioner har uppmätts med en normerad mätmetod enligt EN 60745 som kan användas för att jämföra olika elverktyg med varandra. Den kan också användas för att göra en preliminär uppskattning av vibrationsbelastningen. Den angivna vibrationsnivån gäller för elverktygets huvudsakliga användningsområden. När elverktyget begagnas inom andra användningsområden, med andra insatsverktyg eller med otillräckligt underhåll kan en mätning av vibrationsnivån ge avvikande värden. Detta kan ge en tydlig ökning av vibrationsbelastningen för hela arbetsperioden. För att uppskattningen av vibrationsbelastningen ska bli exakt bör man också räkna in de tider då verktyget är frånkopplat, eller då det är tillkopplat men inte används. Detta kan ge en tydlig minskning av vibrationsbelastningen för hela arbetsperioden. Vidta även ytterligare säkerhetsåtgärder för att skydda användaren från påverkan av vibrationer, t.ex.: Underhåll av elverktyg och insatsverktyg, möjlighet att hålla händerna varma, organisation av arbetsförloppen.

Ljud- och vibrationsinformation (mätt enligt EN 60745):

Karaktäristisk A-vägd ljudeffektnivå för SF 2-A/SFD 2-A 75 dB (A)

Karaktäristisk A-vägd ljudtrycksnivå för SF 2-A/SFD 2-A 64 dB (A)

Osäkerhet för nominell ljudnivå 3 dB (A)

Triaxiala vibrationsvärden (vibrationsvektorsumma) uppmätta efter EN 60745-2-2

För SF 2-A/SFD 2-A: Skruvning utan slag, a_h 0,5 m/s²

Osäkerhet (K) 1,5 m/s²

Triaxiala vibrationsvärden (vibrationsvektorsumma) uppmätta efter EN 60745-2-1

För SF 2-A/SFD 2-A: Borring i metall, $a_{h,D}$ 1,9 m/s²

Osäkerhet (K) för triaxiala vibrationsmätningar 1,5 m/s²

Batteri	B 12/2.6 Li-Ion
Märkspänning	10,8 V
Kapacitet	2,6 Ah
Laddningskapacitet	28,08 Wh
Vikt	0,24 kg
Temperaturövervakning	Ja
Batterityp	Litiumjon
Antal celler	3 st.

5 Säkerhetsföreskrifter

OBSERVERA

Säkerhetsföreskrifterna i kapitlet 5.1 innehåller alla allmänna säkerhetsföreskrifter för elverktyg, enligt gällande normer. Därför kan det finnas anvisningar som inte är tillämpliga för alla verktyg.

5.1 Allmänna säkerhetsföreskrifter för elverktyg

a)  **VARNING**

Läs alla säkerhetsföreskrifter och anvisningar. Att inte iaktta säkerhetsföreskrifter och anvisningar kan orsaka elstötar, brand och/eller allvarliga personskador. **Förvara alla säkerhetsföreskrifter och anvisningarna på ett säkert ställe för framtida användning.** Begreppet "elverktyg" som används i säkerhetsföreskrifterna avser nätdrivna elverktyg (med nätsladd) och batteridrivna elverktyg (sladdlösa).

5.1.1 Säker arbetsmiljö

SV

- Håll arbetsområdet rent och väl belyst.** Oordning eller bristfällig belysning på arbetsplatsen kan leda till olyckor.
- Arbeta inte med elverktyget i omgivningar med explosionsrisk där det finns brännbara vätskor, gaser eller damm.** Elverktygen alstrar gnistor som kan antända dammet eller gaserna.
- Håll barn och obehöriga personer på betryggande avstånd under arbetet med elverktyget.** Om du störs av obehöriga personer kan du förlora kontrollen över elverktyget.

5.1.2 Elektrisk säkerhet

- Elverktygets elkontakt måste passa till vägguttaget. Elkontakten får absolut inte ändras. Använd inte adapterkontakter tillsammans med skyddsjordade elverktyg.** Originalkontakter och lämpliga vägguttag minskar risken för elstötar.
- Undvik kroppskontakt med jordade ytor som rör, värmeelement, spisar och kylskåp.** Det finns en större risk för elstötar om din kropp är jordad.
- Skydda elverktyget från regn och väta.** Tränger vatten in i ett elverktyg ökar risken för elstötar.
- Använd inte kabeln på ett felaktigt sätt, t.ex. genom att bära eller hänga upp elverktyget i den eller dra i den för att lossa elkontakten ur vägguttaget. Håll nätsladden på avstånd från värmekällor, olja, skarpa kanter och rörliga delar.** Skadade eller tilltrasslade kablar ökar risken för elstötar.
- När du arbetar med ett elverktyg utomhus, använd endast en förlängningskabel som är avsedd för utomhusbruk.** Om en lämplig förlängningskabel för utomhusbruk används minskar risken för elstötar.
- Om det är alldeles nödvändigt att använda elverktyget i fuktig miljö ska du använda en jordfelsbrytare.** Användning av jordfelsbrytare minskar risken för elstötar.

5.1.3 Personssäkerhet

- SV
- Var uppmärksam, ha uppsikt över vad du gör och använd elverktyget med förnuft. Använd inte elverktyget när du är trött eller om du är påverkad av droger, alkohol eller mediciner.** Under användning av elverktyg kan även en kort stunds bristande uppmärksamhet leda till allvarliga personskador.
 - Bär alltid personlig skyddsutrustning och skyddsglasögon.** Den personliga skyddsutrustningen, som t.ex. dammskyddsmask, halkfria säkerhetsskor, hjälm eller hörselskydd – med beaktande av elverktygets modell och driftsätt – reducerar risken för kroppsskada.
 - Undvik oavsiktlig igångsättning. Se till att elverktyget är fränkopplat innan du ansluter det till nätströmmen och/eller batteriet, tar upp det eller bär det.** Om du bär elverktyget med fingret på strömbrytaren eller ansluter ett tillkopplat verktyg till nätströmmen kan en olycka inträffa.
 - Ta bort alla inställningsverktyg och skruvnycklar innan du kopplar in elverktyget.** Ett verktyg eller en nyckel i en roterande komponent kan medföra kroppsskada.
 - Undvik en onormal kroppshållning. Se till att du står stadigt och håller balansen.** Då kan du lättare kontrollera elverktyget i oväntade situationer.
 - Bär lämpliga kläder. Bär inte löst hängande kläder eller smycken. Håll håret, kläderna och handskarna på avstånd från rörliga delar.** Löst hängande kläder, smycken och långt hår kan dras in av roterande delar.
 - När du använder elverktyg med anordningar för uppsugning och uppsamling av damm, bör du kontrollera att dessa anordningar är rätt monterade och används korrekt.** Används en dammsugare kan faror som orsakas av damm minskas.

5.1.4 Användning och hantering av elverktyget

- Överbelasta inte verktyget. Använd elverktyg som är avsedda för det aktuella arbetet.** Med ett lämpligt elverktyg kan du arbeta bättre och säkrare inom angivet effektområde.
- Ett elverktyg med defekt strömbrytare får inte längre användas.** Ett elverktyg som inte kan kopplas in eller ur är farligt och måste repareras.
- Dra ut elkontakten ur uttaget och/eller ta ut batteriet innan du gör inställningar, byter tillbehör eller lägger ifrån dig verktyget.** Denna skyddsåtgärd förhindrar oavsiktlig inkoppling av elverktyget.
- Förvara elverktygen oåtkomliga för barn. Verktyget får inte användas av personer som inte är förtrogna med dess användning eller inte har läst denna anvisning.** Elverktyg är farliga om de används av oerfarna personer.

- e) **Underhåll elverkytgen noggrant. Kontrollera att rörliga komponenter fungerar felfritt och inte kärvar och att komponenter inte har brustit eller skadats så att elverktygets funktion påverkas negativt. Se till att skadade delar repareras innan verktyget används igen.** Många olyckor orsakas av dåligt skötta elverktyg.
- f) **Håll insatsverktygen skarpa och rena.** Omsorgsfullt skötta insatsverktyg med skarpa egg kommer inte så lätt i kläm och går lättare att styra.
- g) **Använd elverktyg, tillbehör, insatsverktyg osv. enligt dessa anvisningar. Ta hänsyn till arbetsvillkoren och arbetsmomenten.** Används elverktyget på icke ändamålsenligt sätt kan farliga situationer uppstå.

5.1.5 Användning och hantering av batteriverktyg

- a) **Ladda batterierna endast i de laddare som tillverkaren har rekommenderat.** Brandrisk kan uppstå om en laddare som är avsedd för en viss typ av batterier används för andra batterityper.
- b) **Använd endast batterier som är avsedda för aktuellt elverktyg.** Används andra batterier finns det risk för personskada och brand.
- c) **Håll gem, mynt, nycklar, spikar, skruvar och andra små metallföremål på avstånd från reservbatterier för att undvika kortslutning av kontakterna.** En kortslutning av batteriets kontakter kan leda till brännskador eller brand.
- d) **Om batteriet används på fel sätt kan vätska rinna ur batteriet. Undvik kontakt med vätskan. Vid oavsiktlig kontakt, spola med vatten. Om vätska kommer i kontakt med ögonen, uppsök dessutom läkare.** Batterivätskan kan orsaka hudirritation eller brännskada.

5.1.6 Service

- a) **Låt endast kvalificerad fackpersonal reparera elverktyget och använd då endast originalreservdelar.** Detta garanterar att elverktygets säkerhet upprätthålls.

5.2 Säkerhetsföreskrifter för bormaskiner

- a) **Använd alltid hörselskydd vid slagborring.** Buller kan leda till hörselskador.
- b) **Använd de extrahandtag som levereras tillsammans med verktyget.** Tappas du kontrollen över verktyget kan det leda till skador.
- c) **Håll verktyget i de isolerade greppytorna medan du arbetar, eftersom det kan finnas risk att insatsverktyget stöter på en dold elledning.** Vid kontakt med en spänningssatt ledning kan metalldelar på verktyget spänningssättas och ge dig en stöt.

5.3 Extra säkerhetsföreskrifter

5.3.1 Personssäkerhet

- SV**
- a) **Håll verktyget i det isolerade handtaget när du utför arbeten där skruven kan stöta på dolda elledningar.** Vid kontakt med en spänningssatt ledning kan metalldelar på verktyget spänningssättas och ge dig en stöt.
 - b) **Håll alltid verktyget med båda händerna i de avsedda handtagen. Håll handtagen torra, rena och fria från olja och fett.**
 - c) **Gör pauser i arbetet och utför avslappnings- och fingerövningar som ökar blodgenomströmningen i fingrarna.**
 - d) **Rör inte vid roterande delar. Koppla inte in verktyget förrän det är i arbetsområdet.** Beröring av roterande delar, särskilt roterande bits, kan leda till skador.
 - e) **Aktivera inkopplingsspärren (R/L-omkopplaren i mittläge) vid förvaring och transport av verktyget i dess väska.**
 - f) **Apparaten får bara användas av personer som kan använda den på ett säkert sätt.**
 - g) **Barn ska inte leka med apparaten.**
 - h) **Damm från material som blyhaltig färg, vissa träslag, mineraler och metall kan vara hälsofarliga. Beröring eller inandning av dammet kan orsaka allergiska reaktioner och/eller sjukdomar i andningsvägarna hos användaren eller hos personer som befinner sig i närheten. Vissa slags damm, från till exempel ek eller bok, anses vara cancerframkallande, särskilt i kombination med tillsatssämnen för behandling av trä (kromat, träskyddsmedel). Asbesthaltigt material får bara bearbetas av särskilt utbildad personal. Använd om möjligt en dammsugare. För att dammsugningen ska bli effektiv är det bäst att använda en mobil dammsugare för trä och/eller mineraldamm, som rekommenderas av Hilti och som är anpassad för detta elverktyg. Se till att det finns bra ventilation på arbetsplatsen. Vi rekommenderar användning av andningskyddsmask med filterklass P2. Följ de gällande landsspecifika föreskrifterna för de material som ska bearbetas.**

5.3.2 Omsorgsfull hantering och användning av elverktyg

- a) **Spänn fast materialet ordentligt. Sätt fast materialet med en spännanordning eller ett skruvstäd.** På så vis hålls arbetsstycket fast bättre än för hand och du har dessutom båda händerna fria för att hantera verktyget.
- b) **Se till att insatsverktygen passar i verktyget och sitter fast ordentligt i chucken.**

- c) **Stora, tunga insatsverktyg får endast drivas med första växeln.** Annars finns det risk att verktyget skadas vid frånkoppling och chucken kan i värsta fall lossna.

5.3.3 Omsorgsfull hantering och användning av sladdlösa elverktyg

- a) **Kontrollera att elverktyget är frånkopplat innan batteriet sätts in.** Insättning av batteriet i ett inkopplat elverktyg kan leda till olyckor.
- b) **Utsätt inte batterierna för höga temperaturer eller öppen eld.** Explosionsrisk föreligger
- c) **Batterierna får inte demonteras, klämmas, hettas upp över 80 °C eller brännas.** Brand-, explosions- och skaderisk föreligger.
- d) **Undvik inträngande fukt.** Inträngande fukt kan orsaka kortslutning och leda till utbrända delar eller att en komponent börjar brinna.
- e) **Använd endast batterier som är avsedda för det aktuella verktyget.** Vid användning av batterier som inte är godkända, eller om batterier används för andra ändamål än de är avsedda för, finns risk för brand och explosion.
- f) **Se de särskilda anvisningarna för transport, lagring och användning av litiumjonbatterier.**
- g) **Ta bort batteriet när verktyget ska förvaras och transporteras.**
- h) **Kortslut inte batteriet.** Innan du sätter in batteriet i verktyget bör du kontrollera att både batteriets och verktygets kontakter är fria från smuts och andra hinder. Om batteriets kontakter kortsluts föreligger risk för brand, explosion eller frätskador.
- i) **Skadade batterier (t.ex. med repor, skadade eller böjda delar, intryckta och/eller utdragna kontakter) får varken laddas eller användas.**
- j) Om batteriet är så hett att du inte kan ta i det kan det vara defekt. **Ställ batteriet på en icke eldfängd plats på betryggande avstånd från eldfångda material, där du kan hålla det under uppsikt medan det svalnar. Kontakta Hilti-service när batteriet har svalnat.**

SV

5.3.4 Elektrisk säkerhet



Kontrollera arbetsområdet i förväg, om där finns dolda elkablar, gas- och vattenledningar, med t.ex. en metalldetektor. Verktygets yttre metalldelar kan bli spänningsförande om du t.ex. råkar skada en nätkabel. Detta utgör en allvarlig risk för elstötar.

5.3.5 Arbetsplats

- a) **Se till att arbetsplatsen är ordentligt upplyst.**
- b) **Se till att det finns bra ventilation på arbetsplatsen.** Dåligt ventilerade arbetsplatser kan framkalla sjukdomar på grund av för mycket damm.

5.3.6 Personlig skyddsutrustning

SV



Användaren och personer som befinner sig i närheten måste under användningen bära skyddsglasögon, skyddshjälm, hörselskydd, skyddshandskar och lätt andningsskydd.

6 Före start



6.1 Noggrann hantering av batteri

OBSERVERA

Vid låga temperaturer sänks batterieffekten. Arbeta endast med fulladdat batteri. Därmed uppnår du högsta batterieffekt. Byt till det andra batteriet i tid. Ladda batteriet direkt inför nästa byte.

Förvara batteriet på ett svalt och torrt ställe. Förvara aldrig laddningsbara batterier i solen, ovanpå ett element eller bakom en glasruta. När batteriet har tagit slut måste det avfallshanteras miljövänligt och säkert.

6.2 Ladda batteriet



FARA

Använd endast de godkända batterier och batteriladdare från Hilti som anges under "Tillbehör".

SV

6.2.1 Första laddning av ett nytt batteri

Ladda batterierna helt före första start.

6.2.2 Laddning av ett använt batteri

Se till att yttersidorna på batteriet är rena och torra innan du sätter in batteriet i batteriladdaren.

Information om hur laddningen går till finns i laddarens bruksanvisning.

Litiumjonbatterier kan användas när som helst, även om de endast laddats delvis.

6.3 Sätta in batteriet

FÖRSIKTIGHET

Kontrollera innan du sätter in batteriet att verktyget är frånkopplat och att inkopplingslåset är aktiverat (omkopplaren för höger- och vänsterverv i mittenläge). Använd endast de Hilti-batterier som är godkända för verktyget.

FÖRSIKTIGHET

Försäkra dig om att såväl batterikontakterna som kontakterna i laddaren är rena och fria från främmande partiklar innan du sätter in batteriet.

1. Skjut in batteriet framifrån i verktyget tills du hör att det hakar fast med ett klick.
2. **FÖRSIKTIGHET** Ett batteri som faller ner kan skada dig och andra. Kontrollera att batteriet sitter fast ordentligt i verktyget.

6.4 Ta ut batteripaketet

1. Tryck på spärren.
2. Ta ut batteriet framåt ur verktyget.

6.5 Transport och förvaring av batterier

Ta ut batteriet ur verktyget vid transport eller lagring. Se till att batteriets kontakter inte kortsluts. Ta bort lösa metalldelar som t.ex. skruv, spik, klämmor, lösa skruvbits, ledningar eller metallspånor från väskan, verktygslådan eller transportväskan och se till att sådana föremål inte kommer i kontakt med batterierna.

Vid transport av batterier (med bil, järnväg, båt eller flyg) ska gällande inhemska och internationella transportföreskrifter följas.

SV 6.6 Bälteshake 3

FÖRSIKTIGHET

Innan du startar ett arbete ska du kontrollera att bälteshaken är korrekt fastsatt.

Du kan fästa verktyget intill kroppen på bältet med bälteshaken. Dessutom går det att sätta bälteshaken på andra verktygssidan, med tanke på vänsterhänta.

1. Ta ut batteriet ur verktyget.
2. Sätt in anslutningsplattan i det därför avsedda uttaget.
3. Fäst bälteshaken med de två skruvarna.

7 Drift



FÖRSIKTIGHET

Verktyget kan bli hett under arbetet. **Använd skyddshandskar.**

FÖRSIKTIGHET

Vid borring och skruvning kan verktyget förskjutas åt sidan.

FÖRSIKTIGHET

Använd skyddshandskar vid byte av insatsverktyg, så att du undviker eventuella skador.

7.1 Ställa in rotationsriktning 4

OBSERVERA

Med omkopplaren för rotationsriktning kan du ändra verktygsspindelns rotation. En spärr förhindrar att vridriktningen ändras medan motorn går. Strömbrytaren är spärrad i mittläget. När omkopplaren för höger- och

vänsterverv trycks åt vänster (sett i verktygets arbetsriktning) ställs högervarv in. När omkopplaren för höger- och vänsterverv trycks åt höger (sett i verktygets arbetsriktning) ställs vänsterverv in.

7.2 Välja varvtalsområde 5

VARNING

Stora, tunga insatsverktyg får endast drivas med första växeln. Annars finns det risk att verktyget skadas vid frånkoppling och chucken kan i värsta fall lossna.

OBSERVERA

Med växelbrytaren kan man välja varvtalsområde. Varvtalsområden för SF 2-A/SFD 2-A vid fulladdat batteri: 1:a växeln: 0-400 varv/min, 2:a växeln: 0-1500 varv/min.

OBSERVERA

Växelbrytaren kan bara användas om motorn står stilla.

SV

7.3 Koppla till/från

Genom att långsamt trycka på strömbrytaren kan du välja varvtal steglöst upp till maximalt varvtal.

7.4 Byte av bitshållare

FÖRSIKTIGHET

Använd skyddshandskar vid byte av insatsverktyg eftersom dessa kanske fortfarande är heta.

Kontrollera att bitshållarens insticksände är ren. Rengör insticksändan vid behov.

7.4.1 Byte av insatsverktyg i SF 2-A

OBSERVERA

Verktyget är försett med en snabbchuck för att fästa olika insatsverktyg (t.ex. borrar, bits och bithållare).

7.4.1.1 Sätta i insatsverktyg

1. Ställ omkopplaren för höger- och vänsterverv i mittenläge eller ta ut batteriet ur verktyget.
2. Öppna snabbchucken.
3. Sätt in borrar i chucken och dra fast snabbchucken.
4. Kontrollera att insatsverktyget sitter fast ordentligt.

7.4.1.2 Ta ut insatsverktyg

1. Ställ omkopplaren för höger- och vänstervarv i mittenläge eller ta ut batteriet ur verktyget.
2. Öppna snabbchucken.
3. Dra ut borren ur chucken.

7.4.2 Byte av insatsverktyg i SFD 2-A

OBSERVERA

sv Verktyget är försett med en 1/4"-insexfäste med låshylsa för att fästa olika insatsverktyg (t.ex. borr, bits och bithållare).

7.4.2.1 Sätta i insatsverktyg

1. Ställ omkopplaren för höger- och vänstervarv i mittenläge eller ta ut batteriet ur verktyget.
2. Skjut låshylsan på insexfästet framåt och håll fast den i detta läge.
3. Stick in insatsverktyget så långt det går i insexfästet och släpp låshylsan.
4. Kontrollera att insatsverktyget sitter fast ordentligt.

7.4.2.2 Ta ut insatsverktyg

1. Ställ omkopplaren för höger- och vänstervarv i mittenläge eller ta ut batteriet ur verktyget.
2. Skjut låshylsan på insexfästet framåt och håll fast den i detta läge.
3. Dra ut insatsverktyget ur insexfästet och släpp låshylsan.

7.5 Borring

FÖRSIKTIGHET

Använd en spännanordning eller ett skruvstöd för att hålla fast arbetsstycket. På så vis hålls det fast bättre än för hand och du har dessutom båda händerna fria för att hantera verktyget.

1. Vrid inställningsringen för vridmoment och borring till symbolen för borring.
2. Ställ omkopplaren för höger- och vänstervarv på högervarv.

7.6 Skruvdragning

1. Välj önskat vridmoment på inställningsringen för vridmoment och borring.
2. Välj önskad rotationsriktning med omkopplaren för höger- och vänstervarv.

7.7 Avläsning av laddningsindikeringen på litiumjonbatteriet 7

OBSERVERA

Det går inte att läsa av laddningsstatus medan arbete pågår.

OBSERVERA

När batteripaketet sätts in i verktyget kan lysdioderna i laddningsindikeringen tändas ett kort tag.

Litiumjonbatteriet är försett med laddningsindikering. Om verktyget inte används kan laddningsstatus visas med de fyra lysdioderna genom att man trycker på låsknappen på batteriet.

SV

8 Skötsel och underhåll

FÖRSIKTIGHET

Innan du påbörjar rengöringen bör du ta bort batteriet för att undvika att verktyget startas av misstag!

8.1 Skötsel av insatsverktyg

Ta bort smuts som sitter fast och skydda insatsverktygens ytor mot rost genom att gnida in dem då och då med en oljefuktad putsduk.

8.2 Underhåll av verktyget

FÖRSIKTIGHET

Håll verktyget, särskilt greppytorna, rent och fritt från olja och fett. Använd inga silikonhaltiga skyddsmedel.

Verktygets ytterhölje är tillverkat av slagtålig plast. Handtaget är av elastomer.

Använd aldrig verktyget med tilltäppta ventilationsspringor! Rengör ventilationsspringorna försiktigt med en torr borste. Se till att främmande föremål inte kommer in i verktyget. Rengör verktygets utsida regelbundet med en lätt fuktad putstrasa. Använd ej högtrycksspruta, ångstråle eller rinnande vatten till rengöringen! Verktygets elsäkerhet kan riskeras.

8.3 Skötsel av litiumjonbatteri

Se till att batterierna inte utsätts för fukt.

Ladda batterierna helt före första start.

Avbryt urladdningen så fort du märker att instrumentets effekt har sjunkit, så varar batterierna längre.

OBSERVERA

Fortsätter du använda laddaren avbryts urladdningen automatiskt för att inte skada cellerna.

Ladda batterierna med godkända Hilti-laddare för litiumjonbatterier.

OBSERVERA

- Det krävs ingen rekonditionering för laddningsbara batterier, som för NiCd- eller NiMH-batterier.
- Ett avbrott i laddningen påverkar inte batteriets livslängd.
- Du kan starta laddningen när som helst utan att livslängden påverkas. Det finns ingen minneseffekt, som med NiCd- eller NiMH-batterier.
- Bästa förvaring av helt laddade batterier är på ett svalt och torrt ställe. Batterier bör inte förvaras vid höga temperaturer (t.ex. i ett solbelyst fönster). Det påverkar batteriets livslängd och gör att cellerna laddas ur.
- Om det inte längre går att ladda batteriet helt har det förlorat kapacitet genom att åldras eller överutnyttjas. Ett arbete med detta batteripaket kan dock utföras. Du bör ändå byta ut batteriet snart mot ett nytt.

SV

8.4 Underhåll

VARNING

Reparationer på de elektriska delarna får endast utföras av behörig fackman.

Kontrollera regelbundet verktygets alla yttre delar med avseende på skador och alla manöverfunktioner med avseende på god funktion. Använd inte verktyget om delar är skadade eller manöverfunktioner inte fungerar väl. Låt Hilti-service reparera verktyget.

8.5 Kontroll efter service- och underhållsarbeten

Efter service- och underhållsarbeten ska du kontrollera att alla skyddsanordningar har satts på och fungerar väl.

9 Felsökning

Fel	Möjlig orsak	Lösning
Verktyget fungerar inte.	Batteriet är inte ordentligt isatt eller också har batteriet laddats ur.	Batteriet måste haka i med ett "klick" resp. batteriet måste laddas.
	Elektriskt fel.	Ta ut batteriet ur verktyget och kontakta Hilti-service.
Strömbrytaren kan inte tryckas ner resp. är spärrad.	Omkopplare för höger- och vänstervarv i mitt-läge (transportläge).	Tryck omkopplaren för höger- och vänstervarv åt vänster eller åt höger.

Fel	Möjlig orsak	Lösning
Batteriet laddas ur fortare än vanligt.	Batteristatus är inte normal.	Diagnos hos Hilti-service eller byt ut batteriet.
Batteriet hakar inte i med ett hörbart klick.	Batteriets låsmekanism är smutsig.	Rengör låsmekanismen och haka fast batteriet. Kontakta Hilti-service om problemet kvarstår.
Verktyget eller batteriet har överhettats.	Elektriskt fel.	Koppla genast från verktyget, ta ut batteriet och kontakta Hilti-service.
	Verktyget är överbelastat (användningsgränsen har överskridits).	Välj rätt verktyg för respektive tillämpning.

SV

10 Avfallshantering

FÖRSIKTIGHET

Om utrustningen inte avfallshandteras på rätt sätt kan det få följande konsekvenser: Vid förbränning av plast uppstår giftiga och hälsovådliga gaser. Om batterierna skadas eller utsätts för stark hetta kan de explodera och därigenom orsaka förgiftning, bränder, frätskador eller ha annan negativ inverkan på miljön. Om du underlåter att avfallshandtera utrustningen korrekt kan obehöriga personer få tillgång till den och använda den på ett felaktigt sätt. Därigenom kan både du och andra skadas och miljön utsättas för onödiga påfrestningar.

FÖRSIKTIGHET

Defekta batterier måste kasseras omedelbart. Håll dem utom räckhåll för barn. Batterierna får inte demonteras eller brännas.

FÖRSIKTIGHET

Källsortera batterierna enligt nationella föreskrifter eller lämna tillbaka uttjänta batterier till Hilti.



Hiltis verktyg är till stor del tillverkade av återvinningsbart material. En förutsättning för återvinning är att materialet separeras på rätt sätt. I många länder tar Hilti emot sina uttjänta produkter för återvinning. Fråga Hiltis kundservice eller din Hilti-säljare.



Gäller endast EU-länder

Elektriska verktyg får inte kastas i hushållssoporna!

Enligt EG-direktivet som avser äldre elektrisk och elektronisk utrustning, och dess tillämpning enligt nationell lag, ska uttjänta elektriska verktyg sorteras separat och lämnas till återvinning som är skonsam mot miljön.

11 Tillverkarens garanti

sv Vänd dig till din lokala HILTI-representant om du har frågor om garantivillkoren.

12 Försäkran om EU-konformitet (original)

Beteckning:	Batteridrivna borrar/kravdragare
Typbeteckning:	SF 2-A/SFD 2-A
Generation:	01
Konstruktionsår:	2013

Vi försäkrar under eget ansvar att produkten stämmer överens med följande riktlinjer och normer: 2006/42/EG, 2004/108/EG, 2006/66/EG, 2011/65/EU, EN 60745-1, EN 60745-2-1, EN 60745-2-2, EN ISO 12100.

Hilti Corporation, Feldkircherstrasse 100, FL-9494 Schaan

Paolo Luccini
Head of BA Quality and Process Management
Business Area Electric Tools & Accessories
03/2014

Tassilo Deinzer
Executive Vice President
Business Unit Power Tools & Accessories
03/2014

Teknisk dokumentation vid:

Hilti Entwicklungsgesellschaft mbH
Zulassung Elektrowerkzeuge
Hiltistrasse 6
86916 Kaufering
Deutschland

ORIGINAL BRUKSANVISNING

SF 2-A/SFD 2-A Batteridrevet bor- /skrumaskin

Det er viktig at bruksanvisningen leses før maskinen brukes for første gang. Oppbevar alltid bruksanvisningen sammen med maskinen.

Pass på at bruksanvisningen ligger sammen med maskinen når den overlates til andre personer.

no

Innholdsfortegnelse

1	Generell informasjon	92
2	Beskrivelse	94
3	Verktøy, tilbehør	95
4	Tekniske data	96
5	Sikkerhetsregler	97
6	Ta maskinen i bruk	103
7	Betjening	105
8	Service og vedlikehold	107
9	Feilsøking	109
10	Avhending	110
11	Produsentgaranti for maskiner	110
12	EF-samsvarserklæring (original)	111

I Disse numrene refererer til tilhørende bilde. Bildene finnes på omslaget. La disse sidene være framme ved gjennomgåelse av bruksanvisningen. I teksten i denne bruksanvisningen betyr "maskin" alltid den batteridrevne bor-/skrumaskinen SF 2-A eller SFD 2-A med påsatt batteri.

Apparatkomponenter, betjeningslementer og grafiske elementer **I**

- ① Hurtigchuck (SF 2-A)
- ② Innstillingsring for dreiemoment og boring
- ③ Girvalgbyter
- ④ Innvendig sekskant med låsehylse (SFD 2-A)
- ⑤ Omkoblingsbryter for høyre-/venstregang

- ⑥ Håndtak

- ⑦ Lykt

- ⑧ Beltekrok (valgfri)

- ⑨ Ladenivåindikator

- ⑩ Opplåsingsknapp

- ⑪ Kontrollbryter (med elektronisk turtallstyring)

no

1 Generell informasjon

1.1 Indikasjoner og deres betydning

FARE

Dette ordet brukes om en umiddelbart truende fare som kan føre til alvorlige personskader eller død.

ADVARSEL

Dette ordet brukes for å rette fokus på potensielt farlige situasjoner, som kan føre til alvorlige personskader eller død.

FORSIKTIG

Dette ordet brukes for å rette fokus på potensielt farlige situasjoner som kan føre til mindre personskader eller skader på utstyret eller annen eiendom.

INFORMASJON

For bruksanvisninger og andre nyttige informasjoner.

1.2 Forklaring på piktogrammer og ytterligere opplysninger.

Varselskilt



Generell advarsel



Advarsel for elektrisitet



Advarsel for syre

Verneutstyr



Bruk vernebriller



Bruk hjelm



Bruk hørselsvern



Bruk arbeidshansker



Bruk støvmaske

no

Symboler



Les
bruksanvisningen før
bruk



Volt



Likestrøm



Nominelt
tomgangsturtall



Omdreining per
minutt



Boring uten slag



Avfall bør
resirkuleres

Lokalisering av identifikasjonsdata på maskinen

Typebetegnelsen står på typeskiltet i apparatets føtter, og serienummeret på siden av apparathuset. Skriv ned disse dataene i bruksanvisningen og referer alltid til dem ved henvendelse til din salgsrepresentant eller til Motek senter.

Type:

Generasjon: 01

Serienummer:

2 Beskrivelse

2.1 Forskriftsmessig bruk

SF 2-A og SFD 2-A er håndbetjente batteridrevne bor-/skrumaskiner for innskruing og løsning av skruer og for boring i stål, tre og plast.

Det må ikke arbeides med helsefarlige materialer (for eksempel asbest).

Batteriene skal ikke brukes som energikilder for andre, ikke spesifiserte, forbrukere.

Modifisering eller endringer på maskinen er ikke tillatt.

For å unngå risiko for skade, bruk kun originalt Hilti-tilbehør og -verktøy.

no Følg informasjonen i bruksanvisningen ang. bruk, stell og vedlikehold.

Maskinen er laget for profesjonell bruk og får kun brukes, vedlikeholdes og repareres av kyndig personell. Personalet må informeres om spesielle farer som kan oppstå. Maskinen og tilleggsutstyret kan utgjøre en fare hvis det betjenes av ukvalifisert personell eller det benyttes feil.

Maskinen er beregnet for bruk på: Byggeplasser, verksteder, til renovering, ombygging og konstruksjonsarbeid.

2.2 Verktøyholder

Hurtigchuck til modellen SF 2-A og innvendig sekskant til modellen SFD 2-A.

2.3 Brytere

Kontrollbryter med elektronisk turtallsstyring

Girvalgryter

Høyre-/venstreomkoblingsbryter med innkoblingsperre

Innstilling for dreiemoment og boring

2.4 Håndtak

Vibrasjonsdempende håndtak

2.5 Deler som følger med i kofferten:

1 Maskin

1 Bruksanvisning

1 Hilti-koffert

2.6 Deler som følger med i kartongemballasjen:

1 Maskin

1 Bruksanvisning

2.7 Følgende er også nødvendig for drift av maskinen:

Et batteri B 12/2.6 Li-Ion med lader C4/12-50.

2.8 Ladenivåindikator for Li-ion-batterier

LED fast lys	LED blinkende	Ladenivå C
LED 1, 2, 3, 4	-	$C \geq 75 \%$
LED 1, 2, 3	-	$50 \% \leq C < 75 \%$
LED 1, 2	-	$25 \% \leq C < 50 \%$
LED 1	-	$10 \% \leq C < 25 \%$
-	LED 1	$C < 10 \%$

no

2.9 Overlast- og overopphetingsbeskyttelse

Apparatet er utstyrt med en elektronisk overlast- og overopphetingsbeskyttelse. Ved overlast og overoppheting slås apparatet av automatisk. Hvis kontrollbryteren slippes og trykkes igjen, kan dette føre til innkoblingsforsinkelser (apparatets avkjølingsfaser).

INFORMASJON

Overbelastning eller overoppheting vises ikke på LED-ene på batteriet.

3 Verktøy, tilbehør

Betegnelsen	Forkortet kode
Lader til Li-Ion-batterier	C 4/12-50
Batteri	B 12/2.6 Li-Ion
Beltekrok (valgfri)	

Betegnelsen	Beskrivelse
Spennbredde hurtigchuck	Ø 0,8... 10 mm
Borområde i tre (mykt)	Ø 0,8... 14 mm
Borområde i tre (hardt)	Ø 0,8... 10 mm
Borområde i metall	Ø 0,8... 6 mm
Treskruer (maks. lengde 80 mm)	Ø 3... 6 mm

4 Tekniske data

Med forbehold om løpende tekniske forandringer!

Maskin	SF 2-A	SFD 2-A
Merkespenning (like-spennning)	10,8 V	10,8 V
Vekt i henhold til EPTA-prosedyre 01/2003	1,1 kg	1,0 kg
Turtall 1. gir (med B 12/2.6)	0...400/min	0...400/min
Turtall 2. gir (med B 12/2.6)	0...1 500/min	0...1 500/min
Dreiemoment (mykt skruemne), innstilling borsymbol	Maks. 12 Nm	Maks. 12 Nm
Dreiemomentinnstilling (15 trinn)	0,5...3,5 Nm	0,5...3,5 Nm

no

INFORMASJON

Vibrasjonsnivået som er angitt i denne bruksanvisningen, er målt i samsvar med den normerte målemetoden i EN 60745 og kan brukes til sammenligning av elektroverktøy. Det egner seg også til en foreløpig vurdering av vibrasjonsbelastningen. Det angitte vibrasjonsnivået representerer den primære bruken av elektroverktøyet. Dersom elektroverktøyet brukes til andre bruksområder, med avvikende verktøy eller med utilstrekkelig vedlikehold, kan vibrasjonsnivået imidlertid avvike. Dette kan øke vibrasjonsbelastningen betraktelig gjennom hele arbeidsperioden. For en nøyaktig vurdering av vibrasjonsbelastningen må man også ta hensyn til tidsrommene da maskinen er slått av eller er i gang, men ikke i drift. Dette kan redusere vibrasjonsbelastningen betraktelig gjennom hele arbeidsperioden. Fastsett ekstra sikkerhetstiltak for å beskytte operatøren mot effekten av vibrasjonene, for eksempel: Vedlikehold av elektroverktøy og innsatsverktøy, holde hendene varme, organisering av arbeidsprosesser.

Lyd- og vibrasjonsinformasjon (målt ifølge EN 60745):

Typisk A-veid lydeffektnivå for SF 2-A/SFD 2-A 75 dB (A)

Typisk A-veid emisjonslydtryknivå for SF 2-A/SFD 2-A 64 dB (A)

Usikkerhet for de nevnte støynivåene 3 dB (A)

Vibrasjonsverdier, tre akser (vibrasjonsvektorsum)	Målt iht. EN 60745-2-2
Til SF 2-A/SFD 2-A: Skruing uten slag, a_h	0,5 m/s ²
Usikkerhet (K)	1,5 m/s ²

Vibrasjonsverdier, tre akser (vibrasjonsvektorsum)	Målt iht. EN 60745-2-1
Til SF 2-A/SFD 2-A: Boring i metall, $a_{h,D}$	1,9 m/s ²
Usikkerhet (K) for vibrasjonsmålinger, tre akser	1,5 m/s ²

no

Batteri	B 12/2.6 Li-Ion
Merkespenning	10,8 V
Kapasitet	2,6 Ah
Energiinnhold	28,08 Wh
Vekt	0,24 kg
Temperaturovervåkning	Ja
Celletype	Li-Ion
Celleblokk	3 stk.

5 Sikkerhetsregler

INFORMASJON

Sikkerhetsanvisningene i kapittel 5.1 inneholder generelle sikkerhetsreferanser for elektroverktøy som skal føres opp i henhold til gjeldende normer i bruksanvisningen. Det kan også omfatte anvisninger som ikke er relevante for denne maskinen.

5.1 Generelle sikkerhetsregler for elektroverktøy

a) ADVARSEL

Les alle sikkerhetsanvisninger og andre anvisninger. Manglende overholdelse av sikkerhetsanvisninger og andre anvisninger kan medføre elektrisk støt, brann og/eller alvorlige skader. **Overhold alle sikkerhetsanvisninger og instruksjoner i hele bruksperioden.** Begrepet "elektroverktøy" som er brukt i sikkerhetsanvisningene, viser til nettdrevne

elektroverktøy (med nettkabel) og batteridrevne elektroverktøy (uten nettkabel).

5.1.1 Sikkerhet på arbeidsplassen

- a) **Hold arbeidsområdet rent og godt opplyst.** Rotete eller dårlig belyste arbeidsområder kan føre til ulykker.
- b) **Bruk ikke elektroverktøyet i eksplosjonsfarlige omgivelser hvor det befinner seg brennbare flytende stoffer, gasser eller støv.** Elektroverktøy lager gnister som kan antenne støv eller damper.
- c) **Hold barn og andre personer på sikker avstand mens elektroverktøyet brukes.** Hvis du blir forstyrret under arbeidet, kan du miste kontrollen over maskinen.

no

5.1.2 Elektrisk sikkerhet

- a) **Elektroverktøyets støpsel må passe i stikkkontakten. Støpselet må ikke forandres på noen som helst måte. Bruk ikke adapterkontakt på elektroverktøyet som er jordet.** Originale plugg og egnede stikkontakter minsker risikoen for elektrisk støt.
- b) **Unngå kroppskontakt med jordete overflater som rør, radiatorer, komfyrer eller kjøleskap.** Det er større fare ved elektriske støt hvis kroppen din er jordet.
- c) **Hold elektroverktøyet unna regn og fuktighet.** Risikoen for et elektrisk støt øker ved inntrenging av vann i et elektroverktøy.
- d) **Bruk ikke ledningen til å bære elektroverktøyet, henge det opp eller til å dra støpselet ut av stikkkontakten. Hold ledningen unna varme, olje, skarpe kanter eller maskindeler som beveger seg.** Skadede eller sammenviklede ledninger øker risikoen for elektriske støt.
- e) **Bruk kun skjøteledning som også er godkjent for utendørs bruk når du arbeider med et elektroverktøy utendørs.** Bruk av skjøteledning som er egnet til utendørs bruk minsker risikoen for elektrisk støt.
- f) **Må elektroverktøyet brukes i fuktige omgivelser, er det nødvendig å bruke en jordfeilbryter.** Bruk av en jordfeilbryter reduserer risikoen for elektrisk støt.

5.1.3 Personssikkerhet

- a) **Vær oppmerksom, pass på hva du gjør, og gå fornuftig fram under arbeidet med et elektroverktøy. Ikke bruk noe elektroverktøy når du er trett eller er påvirket av narkotika, alkohol eller medikamenter.** Et øyeblikks uoppmerksomhet ved bruk av elektroverktøyet kan føre til alvorlige skader.
- b) **Bruk alltid personlig verneutstyr og vernebriller.** Bruk av personlig verneutstyr som støvmaske, skliskre vernesko, hjelm eller hørselsvern

- avhengig av type og bruk av elektroverktøyet – reduserer risikoen for skader.
- c) **Unngå utilsiktet start. Forsikre deg om at elektroverktøyet er slått av før du setter i stikkontakten eller batteriet, løfter den eller flytter på den.** Hvis du holder fingeren på bryteren når du bærer elektroverktøyet, eller kobler elektroverktøyet til strøm i innkoblet tilstand, kan dette føre til uhell.
 - d) **Fjern justeringsverktøy og skrunøkkel før du slår på elektroverktøyet.** Et verktøy eller en nøkkel som befinner seg i en roterende maskindel, kan føre til skader.
 - e) **Unngå uohensiktsmessige arbeidsposisjoner. Sørg for å stå stødig og i balanse.** Dermed kan du kontrollere elektroverktøyet bedre i uventede situasjoner.
 - f) **Bruk egnede klær. Ikke bruk vide klær eller smykker. Hold hår, tøy og hansker unna deler som beveger seg.** Løstsittende tøy, smykker eller langt hår kan komme inn i deler som beveger seg.
 - g) **Hvis det er montert støvavsugs- og oppsamlingsinnretninger, må det kontrolleres at disse er koblet til og blir brukt på riktig måte.** Bruk av et støvavsug kan redusere faremomentene i forbindelse med støv.

no

5.1.4 Bruk og behandling av elektroverktøyet

- a) **Ikke overbelast maskinen. Bruk et elektroverktøy som er beregnet til den type arbeid du vil utføre.** Med et passende elektroverktøy arbeider du bedre og sikrere i det angitte effektområdet.
- b) **Ikke bruk elektroverktøy med defekt bryter.** Et elektroverktøy som ikke lenger kan slås av eller på, er farlig og må repareres.
- c) **Dra ut støpselet fra stikkontakten og/eller ta ut batteriet før du foretar maskinnstillinger, bytter tilleggsutstyr eller legger bort maskinen.** Disse tiltakene forhindrer en utilsiktet start av elektroverktøyet.
- d) **Oppbevar elektroverktøy som ikke brukes utenfor barns rekkevidde. Ikke la maskinen brukes av personer som ikke er fortrolig med dette eller ikke har lest disse anvisningene.** Elektroverktøy er farlige når de brukes av uerfarne personer.
- e) **Sørg for grundig stell og vedlikehold av elektroverktøyet. Kontroller at bevegelige deler på elektroverktøyet fungerer feilfritt og ikke klemmes fast, og om deler er brukket eller skadet, slik at dette innvirker på elektroverktøyets funksjon. La skadede deler repareres før elektroverktøyet brukes.** Mange ulykker er et resultat av dårlig vedlikeholdte elektroverktøy.
- f) **Hold skjæreverktøy skarpe og rene.** Godt vedlikeholdte skjæreverktøy med skarpe skjærekanten blir sjeldnere fastklemt og er lettere å styre.

- g) **Bruk elektroverktøyet, tilbehør, arbeidsverktøy osv. i overensstemmelse med denne anvisningen. Ta hensyn til arbeidsforholdene og arbeidet som skal utføres.** Bruk av elektroverktøy til andre formål enn det som er angitt kan føre til farlige situasjoner.

5.1.5 Bruk og behandling av det batteridrevne elektroverktøyet

- a) **Bruk kun ladere som er anbefalt av produsenten når du skal lade batteriene.** Det oppstår brannfare når det brukes andre batterier i en lader enn dem laderen er egnet for.
- b) **Bruk bare batterier som er beregnet for de forskjellige elektroverktøyene.** Bruk av andre batterier kan medføre skader og brannfare.
- c) **Unngå å oppbevare ubrukte batterier i nærheten av binders, mynter, nøkler, nagler, skruer eller andre små metallgjenstander som kan forårsake kortslutning av kontakten.** En kortslutning mellom batterikontaktene kan føre til forbrenninger eller brann.
- d) **Ved feil bruk kan væske lekke fra batteriet. Unngå kontakt med denne væsken. Ved tilfeldig kontakt må det skylles med vann. Hvis det kommer væske i øynene, må du i tillegg oppsøke lege.** Batterivæske som renner ut, kan føre til irritasjoner på huden eller forbrenninger.

5.1.6 Service

- a) **Elektroverktøyet må kun repareres av kvalifisert fagpersonale og kun med originale reservedeler.** Slik opprettholdes elektroverktøyet sikkerhet.

5.2 Sikkerhetsanvisninger for bormaskiner

- a) **Bruk hørselsvern under slagboring.** Påvirkning av støy kan føre til hørselstap.
- b) **Bruk håndtakene som leveres med maskinen.** Tap av kontroll kan føre til skader.
- c) **Hold maskinen i de isolerte håndtakene når du utfører arbeid der verktøyet kan komme i kontakt med elektriske ledninger.** Kontakt med en spenningsførende ledning kan også sette maskinens metalldele under spenning og føre til elektrisk støt.

5.3 Ekstra sikkerhetsanvisninger

5.3.1 Personssikkerhet

- a) **Hold maskinen i de isolerte håndtakene når du utfører arbeid der verktøyet kan komme i kontakt med elektriske ledninger.** Hvis skruen

kommer i kontakt med en spenningsførende ledning kan det også sette maskinens metalldele under spenning og føre til elektrisk støt.

- b) **Hold alltid maskinen fast med begge hender i håndtakene som er beregnet på dette. Hold håndtakene tørre, rene og fri for olje og fett.**
- c) **Ta pauser fra arbeidet og foreta avspennings- og fingerøvelser for å øke blodgjennomstrømningen i fingrene.**
- d) **Unngå å berøre de roterende delene. Koble først til maskinen på arbeidsområdet.** Berøring av de roterende delene, spesielt roterende verktøy, kan føre til skader.
- e) **Aktiver innkoblingssperren (H/V-omkoblingsbryter i midtstilling) ved lagring og transport av maskinen.**
- f) **Maskinen skal ikke brukes av barn eller svake personer uten oppsyn.**
- g) **Barn må få beskjed om at de ikke får lov til å leke med maskinen.**
- h) Støv fra materialer som blyholdig maling, enkelte tresorter, mineraler og metaller kan være helseskadelig. Berøring eller innånding av slike typer støv kan fremkalle allergiske reaksjoner og/eller luftveissykdommer hos brukeren og andre personer som oppholder seg i nærheten. Bestemte typer støv som eikestøv eller bøkestøv regnes som kreftfremkallende, særlig i forbindelse med stoffer for trebehandling (kromat, trepleiemidler). Asbestholdige materialer skal kun bearbeides av kvalifisert personell. **Bruk støvavsug der det er mulig. For å oppnå høy effekt på støvavsug bør du bruke et egnet, mobilt støvavsug for tre og/eller mineralstøv som er anbefalt av Hilti og som er tilpasset dette elektroverktøyet. Sørg for at arbeidsplassen er godt luftet. Bruk av åndedrettsvern med filterklasse P2 anbefales. Ta hensyn til gjeldende lokale forskrifter for materialene som skal bearbeides.**

no

5.3.2 Aktsom håndtering og bruk av elektroverktøy

- a) **Sikre emnet. Bruk tvinger eller skrustikke til å holde fast emnet.** Emnet sitter dermed bedre festet enn om du holder det med hånden, og du har dessuten begge hendene fri til å betjene maskinen.
- b) **Sørg for at verktøyet i bruk er kompatibelt med maskinens chuck-system og at det er festet riktig i chucken.**
- c) **Store og tunge bearbeidingsverktøy skal kun brukes i 1. gir.** Ellers er det fare for at maskinen blir skadd ved utkobling eller at chucken kan løsne under ugunstige omstendigheter.

5.3.3 Riktig håndtering og bruk av batteridrevne maskiner

- a) **Forsikre deg om at maskinen er slått av før du setter i batteriene.** Hvis du setter batteriet inn i et elektroverktøy som er slått på, kan dette medføre uhell.

- b) **Beskytt batteriene mot høye temperaturer og åpen ild.** Ellers kan det være fare for eksplosjon.
- c) **Batteriene må ikke tas fra hverandre, klemmes, varmes opp over 80 °C eller brennes.** Gjør du dette, er det fare for brann, eksplosjoner og etseskader.
- d) **Unngå inntrengning av fuktighet.**Hvis det har trengt inn fuktighet, man det føre til kortslutning og forbrenninger eller brann.
- e) **Bruk bare batterier som er beregnet for den aktuelle maskinen.** Hvis du bruker batterier som ikke er godkjent, eller bruker batteriene til bruksområder som ikke er godkjent, er det brann- og eksplosjonsfare.
- f) **Ta hensyn til spesielle retningslinjer for transport, lagring og bruk av Li-Ion-batterier.**
- g) **Ta ut batteriet ved lagring og transport av maskinen.**
- h) **Unngå kortslutning av batteriene. Kontroller at det ikke er fremmedlegemer ved kontaktene på batteriet og i maskinen før du setter batteriet inn i maskinen.** Hvis kontaktene på et batteri kortsluttes, er det fare for brann, eksplosjoner og etseskader.
- i) **Skadde batterier (for eksempel batterier med sprekker, ødelagte deler eller kontakter som er bøyd, skjøvet tilbake eller trukket ut) skal ikke lades opp eller brukes videre.**
- j) Hvis batteriet er så varmt at du ikke kan ta i det, kan det være defekt. **Plasser apparatet på et ikke brennbart sted med tilstrekkelig avstand fra brennbare materialer, der det kan observeres. La det avkjøles. Kontakt Motek-service når batteriet er avkjølt.**

5.3.4 Elektrisk sikkerhet



Kontroller arbeidsområdet for skjulte elektriske ledninger, gass- og vannrør før du starter arbeidet, f.eks. ved hjelp av en metalldetektor. Eksterne metalldeleer på maskinen kan bli strømførende ved at f. eks. en strømførende kabel utilsiktet blir skadet. Dette innebærer en alvorlig fare for elektrisk støt.

5.3.5 Arbeidsplassen

- a) **Sørg for god belysning på arbeidsplassen.**
- b) **Sørg for at arbeidsplassen er godt luftet.** Arbeidsplasser med dårlig ventilasjon kan føre til helseskader på grunn av støvbelastning.

5.3.6 Personlig verneutstyr



no

Brukeren og personer som befinner seg i nærheten må bruke egnede vernebriller, hjelm, hørselvern, arbeidshansker og en lett støvmaske når maskinen er i drift.

6 Ta maskinen i bruk



6.1 Riktig håndtering av batterier

INFORMASJON

Batteriyttelsen synker ved lave temperaturer. Arbeid skal kun utføres med fulladet batteri. Dette gjør at du får fullt utbytte av batteriet. Bytt til det andre batteriet i god tid. Lad opp batteriet med en gang slik at det er klart til gjenbruk.

Batteriene bør lagres så kjølig og tørt som mulig. Batteriene må aldri lagres i solen, på en radiator eller bak glassruter. Batteriene må avhendes på miljømessig forsvarlig måte når de er utbrukte.

6.2 Lade batteriet



FARE

Bruk bare batterier og ladere fra Hilti som er beregnet for din maskin. Disse er oppført under "Tilbehør".

6.2.1 Første gangs lading av nytt batteri

Lad batteriene helt opp før første gangs bruk.

6.2.2 Lading av et brukt batteri

Sørg for at yttersiden av batteriet er ren og tørr før det settes til lading i laderen.

Du finner informasjon om ladeprosessen i bruksanvisningen for laderen.

Li-Ion-batterier kan brukes også i delvis ladet tilstand.

6.3 Sette i batteriet

no

FORSIKTIG

Før du setter inn batteriet, må du kontrollere at maskinen er slått av og at innkoblingssperren er aktivert (bryter for høyre-/venstregang i midtstilling). Bruk bare batterier som er beregnet for din maskin.

FORSIKTIG

Kontroller at det ikke er fremmedlegemer på kontaktene på batteriet eller kontaktene på apparatet før du setter batteriet inn i apparatet.

1. Skyv batteriet inn i maskinen forfra til det smekker hørbart på plass med et klikk ved anslag.
2. **FORSIKTIG** Hvis batteriet faller ned, kan dette være farlig for deg selv eller andre.

Sørg for at batteriet er riktig festet i maskinen.

6.4 Ta ut batteriet 2

1. Trykk på opplåsingsknappen.
2. Trekk batteriet framover ut av maskinen.

6.5 Transport og lagring av batterier

Ta batteriet ut av maskinen ved transport og lagring. Sørg for at kontaktene på batteriet ikke kan kortsluttes. Fjern løse metalldele som f.eks. skruer, nagler, klemmer, løse skrubs, tråder og metallspen fra kofferten, verktøykassen eller transportbeholderen, eller sørg for å hindre at disse delene kommer i kontakt med batteriet.

Ved forsendelse av batterier (vei-, tog-, båt- eller flytransport) må nasjonale og internasjonale transportforskrifter overholdes.

6.6 Beltekrok 3

FORSIKTIG

Kontroller før arbeidet starter at beltekroken er sikkert festet.

Ved hjelp av beltekroken kan maskinen festes i beltet inntil kroppen. For venstrehendte kan beltekroken også flyttes over til den andre siden av maskinen.

1. Ta batteriet ut av maskinen.
2. Fest skrueplaten i føringen.
3. Fest beltekroken med to skruer.

7 Betjening



no

FORSIKTIG

Apparatet kan bli varmt under bruk. **Bruk vernehansker.**

FORSIKTIG

Ved boring og skruing kan maskinen svinge ut til siden.

FORSIKTIG

Bruk vernehansker når du bytter verktøy, for å unngå at verktøyet forårsaker skader.

7.1 Still inn høyre- eller venstregang **4**

INFORMASJON

Med omkoblingsbryteren for høyre-/venstregang kan du velge rotasjonsretning for verktøyspindelen. En sperre hindrer at motoren kobles om når den er i drift. I midtstilling er kontrollbryteren blokkert. Trykk omkoblingsbryteren mot venstre (sett i maskinens arbeidsretning). Dermed aktiveres høyregang. Trykk omkoblingsbryteren mot høyre (sett i maskinens arbeidsretning). Dermed aktiveres venstregang.

7.2 Velg turtallsområde **5**

ADVARSEL

Store og tunge bearbeidingsverktøy skal kun brukes i 1. gir. Ellers er det fare for at maskinen blir skadd ved utkobling eller at chucken kan løsne under ugunstige omstendigheter.

INFORMASJON

Med girvalgryteren kan du velge turtallsområde. Turtallsområde for SF 2-A/SFD 2-A ved fulladet batteri: 1. gir: 0-400 o/min, 2. gir: 0-1500 o/min.

INFORMASJON

Girvalgryteren kan bare betjenes når motoren er avslått.

7.3 Slå av/på

Ved å trykke langsomt på kontrollbryteren kan man øke trinnløst til maksimalt turtall

7.4 Bytte av verktøy

FORSIKTIG

Bruk vernehansker når du bytter verktøy, da verktøyet blir varmt ved bruk.

Kontroller at enden på verktøyet er ren. Gjør den ren om nødvendig.

no

7.4.1 Verktøyskift for SF 2-A

INFORMASJON

Maskinen er utstyrt med en hurtigchuck til feste av ulike verktøy (f.eks. bor, bit og bitholder).

7.4.1.1 Sette inn verktøy

1. Sett høyre-/venstreomkoblingsbryteren i midtstilling eller ta av batteriet.
2. Åpne hurtigchucken.
3. Skyv verktøyet inn i verktøyholderen og skru fast hurtigchucken.
4. Kontroller at verktøyet sitter godt.

7.4.1.2 Ta ut verktøyet

1. Sett høyre-/venstreomkoblingsbryteren i midtstilling eller ta av batteriet.
2. Åpne hurtigchucken.
3. Trekk ut verktøyet.

7.4.2 Verktøyskift for SFD 2-A

INFORMASJON

Maskinen er utstyrt med en 1/4" innvendig sekskant med låsehylse for feste av ulike verktøy (f.eks. bor, bit og bitholder).

7.4.2.1 Sette inn verktøy

1. Sett høyre-/venstreomkoblingsbryteren i midtstilling eller ta av batteriet.
2. Skyv låsehylsen på den innvendige sekskanten forover, og hold den fast i denne stillingen.
3. Sett inn verktøyet til anslag i den innvendige sekskanten og slipp låsehylsen.
4. Kontroller at verktøyet sitter godt fast.

7.4.2.2 Ta ut verktøyet

1. Sett høyre-/venstreomkoblingsbryteren i midtstilling eller ta av batteriet.
2. Skyv låsehylsen på den innvendige sekskanten forover, og hold den fast i denne stillingen.
3. Trekk verktøyet ut av den innvendige sekskanten og slipp låsehylsen.

7.5 Boring

FORSIKTIG

Bruk tvinger eller skrustikke til å holde fast emnet. Emnet sitter dermed bedre festet enn om du holder det med hånden, og du har dessuten begge hendene fri til å betjene maskinen.

no

1. Drei innstillingsringen for dreiemoment og boring til symbolet for boring.
2. Still inn høyregang med bryteren for høyre-/venstregang.

7.6 Skruing

1. Velg dreiemoment med innstillingsringen for dreiemoment og boring.
2. Velg rotasjonsretning med høyre-/venstre bryteren.

7.7 Avlesning av ladenivå for li-ion-batterier 7

INFORMASJON

Under drift er det ikke mulig å vise ladenivået.

INFORMASJON

Når batteriet settes inn i maskinen, kan det hende at LED-ene på ladenivåindikatoren lyser en kort stund.

Li-Ion-batteriet har en ladenivåindikator. Hvis maskinen ikke er i drift, vises ladenivået ved hjelp av fire LED-er når du trykker på låsetasten på batteriet.

8 Service og vedlikehold

FORSIKTIG

Før rengjøring skal batteriet tas ut av maskinen for å forhindre utilsiktet start!

8.1 Stell av verktøyet

Fjern skitt som sitter på overflaten av verktøyet og beskytt det mot korrosjon ved å gni det med en oljet klut en gang i mellom.

8.2 Vedlikehold av maskinen

FORSIKTIG

Hold maskinen ren og fri for olje og fett, særlig maskinens gripeflater. Ikke bruk rengjøringsmidler som inneholder silikon.

Ytterhuset på maskinen er laget av støtsikker plast. Grepsdelen er laget av syntetisk gummi.

Ikke bruk maskinen når ventilasjonsåpningene er tette! Bruk en tørr børste for å rengjøre dem forsiktig. Forhindre at fremmedlegemer trenger inn i maskinen. Bruk en lett fuktig klut og rengjør utsiden av maskinen jevnlig. Ikke bruk spray, damprenser eller rennende vann til rengjøring! Dette kan gå utover den elektriske sikkerheten til maskinen.

no

8.3 Stell av Li-Ion-batterier

Unngå inntrengning av fuktighet.

Lad batteriene helt opp før første gangs bruk.

For å oppnå maksimal levetid for batteriene, bør du avslutte utladningen så snart batteriytelsen blir merkbart redusert.

INFORMASJON

Ved videre bruk avsluttes utladningen automatisk før det oppstår skader på battericellene.

Lad batteriene med en lader fra Hilti som er godkjent for Li-Ion-batterier.

INFORMASJON

- Det er ikke nødvendig med oppfriskningslading som for NiCd- eller NiMH-batterier.
- Levetiden til batteriene blir ikke påvirket av at ladingen avbrytes underveis.
- Ladingen kan påbegynnes når som helst, uten at det går ut over levetiden. Det finnes ingen minneeffekt som ved NiCd- eller NiMH-batterier.
- Batteriene bør helst oppbevares i fulladet tilstand, og så kjølig og tørt som mulig. Oppbevaring av batterier i høye omgivelsestemperaturer (bak vindusruter) er ugunstig, påvirker levetiden for batteriene og øker battericellenes selvutladning.
- Hvis batteriet ikke lades helt opp, har det mistet kapasitet på grunn av aldring eller overbelastning. Det er fremdeles mulig å arbeide med et slikt batteri. Men du bør likevel skifte batteriet ut med et nytt.

8.4 Vedlikehold

ADVARSEL

Elektriske deler på maskinen må kun repareres av fagfolk.

Sjekk etter skader på alle eksterne deler av maskinen jevnlig, og kontroller at betjeningselementene fungerer feilfritt. Ikke bruk maskinen hvis deler av den er ødelagt, eller hvis betjeningselementene ikke fungerer feilfritt. La et Motek service-senter foreta reparasjonen.

8.5 Kontroll etter stell og vedlikeholdsarbeid

Etter stell og vedlikehold av maskinen må man kontrollere at alle beskyttelses- og sikkerhetsmekanismene er tilpasset og fungerer som de skal.

9 Feilsøking

no

Feil	Mulig årsak	Løsning
Maskinen fungerer ikke.	Batteriet er ikke satt riktig inn, eller batteriet er tomt.	Batteriet må festes med et tydelig klikk, eller batteriet må lades.
	Elektrisk feil.	Ta batteriet ut av maskinen og kontakt Motek service.
PÅ/AV-bryteren kan ikke trykkes inn eller er blokkert.	Venstre-/høyrebryter i midtstilling (transportstilling).	Trykk venstre-/høyrebryteren mot venstre eller høyre.
Batteriet blir raskere tomt enn vanlig.	Batteriets status er ikke optimal.	La Motek service stille en diagnose eller bytt ut batteriet.
Batteriet festes ikke med et hørbart klikk.	Festetappene på batteriet er skitne.	Rengjør festetappene og sett batteriet på plass. Kontakt Motek service hvis problemet fortsetter.
Sterk varmeutvikling i maskinen eller batteriet.	Elektrisk defekt.	Slå av maskinen umiddelbart, ta batteriet ut av maskinen og kontakt Motek service.
	Maskinen er overbelastet (bruksgrensen er overskredet).	Velg riktig maskin til bruksområdet.

10 Avhending

FORSIKTIG

Ved ukyndig avhending av utstyret kan følgende skje: Ved forbrenning av plastdeler kan det oppstå giftige gasser som kan gjøre personer syke. Batterier kan eksplodere og dermed forårsake forgiftninger, forbrenninger, etseskader eller miljøskader dersom de skades eller varmes sterkt opp. Ved ukyndig avhending kan uvedkommende få tak i utstyret og bruke det på uønskede måter. Dette kan føre til at de skader seg selv og tredjepart og skader miljøet.

FORSIKTIG

no Defekte batterier skal kasseres umiddelbart. Hold disse utilgjengelige for barn. Batteriene skal ikke demonteres og ikke brennes.

FORSIKTIG

Avhend batterier i henhold til nasjonale bestemmelser eller lever brukte batterier tilbake til Motek.



De fleste av Hiltis maskiner er laget av resirkulerbart materiale. En forutsetning for gjenvinning er at delene tas fra hverandre. Norge har en ordning for å ta maskiner tilbake for resirkulering. Trenger du mer informasjon, kontakt Motek.



Kun for EU-land

Kast aldri elektroverktøy i husholdningsavfall!

I henhold til EU-direktiv om kasserte elektriske og elektroniske produkter og direktivets iverksetting i nasjonal rett, må elektroverktøy som ikke lenger skal brukes, samles separat og returneres til et miljøvennlig gjenvinningsanlegg.

11 Produsentgaranti for maskiner

Når det gjelder spørsmål om garantibetingelser, ber vi deg kontakte din lokale HILTI-partner.

12 EF-samsvarserklæring (original)

Betegnelsen:	Batteridrevet bor-/skrumaskin
Typebetegnelse:	SF 2-A/SFD 2-A
Generasjon:	01
Produksjonsår:	2013

Vi erklærer herved at dette produktet overholder følgende normer og retningslinjer: 2006/42/EF, 2004/108/EF, 2006/66/EF, 2011/65/EU, EN 60745-1, EN 60745-2-1, EN 60745-2-2, EN ISO 12100.

Hilti Corporation, Feldkircherstrasse 100, FL-9494 Schaan

no



Paolo Luccini
Head of BA Quality and Process Management
Business Area Electric Tools & Accessories
03/2014



Tassilo Deinzer
Executive Vice President
Business Unit Power Tools & Accessories
03/2014

Teknisk dokumentasjon hos:
Hilti Entwicklungsgesellschaft mbH
Zulassung Elektrowerkzeuge
Hiltistrasse 6
86916 Kaufering
Deutschland

ALKUPERÄISET OHJEET

Akkuporakone SF 2-A/SFD 2-A

Lue ehdottomasti tämä käyttöohje ennen koneen käyttämistä.

Säilytä käyttöohje aina koneen mukana.

Varmista, että käyttöohje on koneen mukana, kun luovutat koneen toiselle henkilölle.

Sisällysluettelo

fi	1	Yleisiä ohjeita	113
	2	Kuvaus	115
	3	Työkalut ja lisävarusteet	116
	4	Tekniset tiedot	117
	5	Turvallisuusohjeet	118
	6	Käyttöönotto	125
	7	Käyttö	127
	8	Huolto ja kunnossapito	129
	9	Vianmääritys	131
	10	Hävittäminen	132
	11	Valmistajan myöntämä takuu	132
	12	EU-vaatimustenmukaisuusvakuutus (originaali)	133

1 Numerot viittaavat kuviin. Tekstiin liittyvät kuvat löydät auki taitettavilta kansisivuilta. Pidä kansisivut auki käyttöohjetta lukiessasi.

Tässä käyttöohjeessa sana »kone« tarkoittaa aina akkuporakonetta SF 2-A tai SFD 2-A akkuineen.

Koneen osat, käyttö- ja näyttöelementit **1**

- ① Pikaistukka (SF 2-A)
- ② Vääntömomentin ja poraamisen säätörengas
- ③ Vaihdekytkin
- ④ Kuusiokolo jossa lukitsinholkki (SFD 2-A)
- ⑤ Suunnanvaihtokytkin vasemmalle/oikealle
- ⑥ Käsikahva
- ⑦ Lamppu

- ⑧ Vyökoukku (lisävaruste)
- ⑨ Lataustilan näyttö
- ⑩ Vapautuspainike
- ⑪ Käyttökytkin (kierrosluvun elektroninen säätö)

1 Yleisiä ohjeita

1.1 Varoitustekstit ja niiden merkitys

VAKAVA VAARA

Varoittaa vaaratilanteesta, josta voi seurauksena olla vakava loukkaantuminen tai jopa kuolema.

VAARA

Varoittaa vaaratilanteesta, josta voi seurauksena olla vakava loukkaantuminen tai kuolema.

VAROITUS

Varoittaa vaaratilanteesta, josta voi seurauksena olla loukkaantuminen, vaurioituminen tai aineellinen vahinko.

HUOMAUTUS

Antaa toimintaohjeita tai muuta hyödyllistä tietoa.

1.2 Symboleiden ja muiden huomautusten merkitys

Varoitussymbolit



Yleinen vaara



Vaara: vaarallisen korkea sähköjännite



Vaara: syövyttäviä aineita

Ohjesymbolit



Käytä suojalaseja



Käytä suojakypärää



Käytä
kuulosuojaimia



Käytä suojakäsineitä



Käytä
hengityssuojainta

fi

Symbolit



Lue käyttöohje
ennen koneen
käyttämistä



Volttia



Tasavirta



Nimellisjouto-
käyntikierrosluku



Kierrosta minuutissa



Poraus ilman iskua



Jätteet toimitettava
kierrätykseen

Koneen tunnistetietojen sijainti

Tyypimerkinnän löydät koneen varsiolosassa alhaalla olevasta tyypikilvestä ja sarjanumeron koneen kotelon sivusta. Merkitse nämä tiedot myös koneesi käyttöohjeeseen ja ilmoita nämä tiedot aina kun otat yhteyttä Hilti-myyntiedustajaan tai Hilti-asiakaspalveluun.

Tyyppi:

Sukupolvi: 01

Sarjanumero:

2 Kuvaus

2.1 Tarkoituksenmukainen käyttö

SF 2-A ja SFD 2-A ovat käsiohjattavia akkukäyttöisiä porakoneita, joilla voidaan kiertää ruuveja ja porata reikiä teräkseen, puuhun sekä muoviin.

Terveydelle vaarallisia materiaaleja (esimerkiksi asbesti) ei saa työstää.

Älä käytä koneen akkuja muiden määrittämättömien koneiden ja laitteiden virtalähteenä.

Koneeseen ei saa tehdä minkäänlaisia muutoksia.

Loukkaantumisvaaran välttämiseksi käytä koneessa vain alkuperäisiä Hilti-lisävarusteita ja -lisälaitteita.

Noudata käyttöohjeessa annettuja käyttöä, huoltoa ja kunnossapitoa koskevia ohjeita.

Kone on tarkoitettu ammattikäyttöön. Koneita saa käyttää, huoltaa tai korjata vain valtuutettu, koulutettu henkilö. Käyttäjän pitää olla hyvin perillä koneen käyttöön liittyvistä vaaroista. Kone ja sen varusteet saattavat aiheuttaa vaaratilanteita, jos kokemattomat henkilöt käyttävät konetta ohjeiden vastaisesti tai muutoin asiattomasti.

Käyttökohteita voivat olla: rakennustyömaa, verstaas, saneeraaminen, muutosrakentaminen ja uuden rakentaminen.

2.2 Istukka

Pikaistukka koneelle SF 2-A ja kuusiokolo koneelle SFD 2-A.

2.3 Kytkin

Käyttökytkin ja kierrosluvun elektroninen säätö

Vaihdekytkin

Suunnanvaihtokytkin jossa päälle kytkemisen salpa

Vääntömomentin ja poraamisen säätörengas

2.4 Kahva

Tärinävaimennettu käsikahva

2.5 Laukussa toimitettavan koneen vakiovarustus:

1 Kone

1 Käyttöohje

1 Hilti-kantolaukku

fi

2.6 Pahvipakkauksessa toimitettavan koneen vakiovarustus:

- 1 Kone
- 1 Käyttöohje

2.7 Koneen käyttämiseen tarvitaan lisäksi

Akku B 12/2.6 Li-Ion ja laturi C4/12-50.

2.8 Litiumioniakun lataustilan näyttö

LED palaa jatkuvasti	LED vilkkuu	Lataustila C
LED 1, 2, 3, 4	-	$C \geq 75 \%$
LED 1, 2, 3	-	$50 \% \leq C < 75 \%$
LED 1, 2	-	$25 \% \leq C < 50 \%$
LED 1	-	$10 \% \leq C < 25 \%$
-	LED 1	$C < 10 \%$

2.9 Ylikuormitus- ja ylikuumentumissuoja

Koneessa on elektroninen ylikuormitussuoja ja ylikuumentumissuoja. Jos kone ylikuormittuu tai ylikuumentuu, se kytkeytyy automaattisesti pois päältä. Kun vapautat käyttökytkimen ja painat sitä uudelleen, päälle kytkeytymisessä voi olla viive (koneen jäähtymisvaihe).

HUOMAUTUS

Akun LED-merkkivalot eivät ilmaise ylikuormitusta tai ylikuumentumista.

3 Työkalut ja lisävarusteet

Nimi	Lyhenn nimi
Laturi litiumioniakuille	C 4/12-50
Akku	B 12/2.6 Li-Ion
Vyökoukku (lisävaruste)	

Nimi	Kuvaus
Pikaistukan koko	$\varnothing 0,8 \dots 10 \text{ mm}$
Poraus koko puuhun (pehmeään)	$\varnothing 0,8 \dots 14 \text{ mm}$
Poraus koko puuhun (kovaan)	$\varnothing 0,8 \dots 10 \text{ mm}$

Nimi	Kuvaus
Porausko koko metalliin	∅ 0,8...6 mm
Puuruuvit (max. pituus 80 mm)	∅ 3...6 mm

4 Tekniset tiedot

Oikeudet teknisiin muutoksiin pidätetään!

Kone	SF 2-A	SFD 2-A
Nimellisjännite (tasa- virtajännite)	10,8 V	10,8 V
Paino EPTA-menettelyn 01/2003 mukaisesti	1,1 kg	1,0 kg
Kierrosluku 1. vaihteella (kun akku B 12/2.6)	0...400/min	0...400/min
Kierrosluku 2. vaihteella (kun akku B 12/2.6)	0...1500/min	0...1500/min
Vääntömomentin (ruuvien kiinnitys pehmeään materiaaliin) säätö po-raussymboli	Max. 12 Nm	Max. 12 Nm
Vääntömomentin säätö (15 asentoa)	0,5...3,5 Nm	0,5...3,5 Nm

HUOMAUTUS

Tässä Käyttöohjeessa ilmoitettu värinäarvo on mitattu normin EN 60745 mukaista mittausmenetelmää käyttäen, ja tätä arvoa voidaan käyttää sähkötyökalujen vertailussa. Se soveltuu myös värinärasituksen tilapäiseen arviointiin. Ilmoitettu värinäarvo koskee sähkötyökalun pääasiallisia käyttötarkoituksia. Jos sähkötyökalua kuitenkin käytetään muihin tarkoituksiin, poikkeavia työkaluja tai teriä käyttäen tai puutteellisesti huollettuna, värinäarvo voi poiketa tässä ilmoitetusta. Tämä saattaa merkittävästi lisätä värinärasitusta koko työskentelyajan aikana. Värinärasitusta tarkasti arvioitaessa on otettava huomioon myös ne ajat, jolloin kone on kytketty pois päältä tai jolloin kone on päällä, mutta sillä ei tehdä varsinaista työtä. Tämä saattaa merkittävästi vähentää värinärasitusta koko työskentelyajan aikana. Käyttäjän suojaamiseksi värinän vaikutukselta ryhdy tarpeellisiin turvatoimenpiteisiin

kuten: Sähkötyökalun ja siihen kiinnitettävien työkalujen huolto, käsien lämpimänä pitäminen, työtehtävien organisointi.

Melu- ja värinäarvot (normina EN 60745):

Tyypillinen A-painotettu meluteho-taso, kone SF 2-A/SFD 2-A	75 dB (A)
Tyypillinen A-painotettu melupäästön äänenpainetaso, kone SF 2-A/SFD 2-A	64 dB (A)
Ilmoitetun melutason epävarmuus	3 dB (A)

Kolmen akselin suuntaiset värinäarvot (värinävektoreiden summa)	Mittausnormina EN 60745-2-2
Kone SF 2-A/SFD 2-A: Ruuvaaminen ilman iskua, a_h	0,5 m/s ²
Epävarmuus (K)	1,5 m/s ²

Kolmen akselin suuntaiset värinäarvot (värinävektoreiden summa)	Mittausnormina EN 60745-2-1
Kone SF 2-A/SFD 2-A: Poraaminen metalliin, $a_{h,D}$	1,9 m/s ²
Kolmisuuntaisten värinämittausten epävarmuus (K)	1,5 m/s ²

Akku	B 12/2.6 Li-Ion
Nimellisjännite	10,8 V
Kapasiteetti	2,6 Ah
Energiasisältö	28,08 Wh
Paino	0,24 kg
Lämpötilavalvonta	Kyllä
Kennotyyppi	Li-Ion
Kennojen määrä	3 kpl

5 Turvallisuusohjeet

HUOMAUTUS

Turvallisuusohjeet kappaleessa 5.1 sisältävät kaikki sähkötyökaluja koskevat yleiset turvallisuusohjeet, jotka sovellettavien normien mukaan on esitettävä

käyttöohjeessa. Tämän vuoksi teksti saattaa sisältää ohjeita, jotka eivät koske tätä konetta.

5.1 Sähkötyökaluja koskevat yleiset turvallisuusohjeet

a) VAARA

Lue kaikki turvallisuus- ja käyttöohjeet. Turvallisuus- ja käyttöohjeiden noudattamatta jättäminen saattaa johtaa sähköiskuun, tulipaloon ja/tai vakavaan loukkaantumiseen. **Säilytä kaikki turvallisuus- ja käyttöohjeet huolellisesti vastaisen varalle.** Turvallisuusohjeissa käytetty käsite ”sähkötyökalu” tarkoittaa verkkokäyttöisiä sähkötyökaluja (joissa verkkojohto) ja akkukäyttöisiä sähkötyökaluja (joissa ei verkkojohtoa).

fi

5.1.1 Työpaikan turvallisuus

- Pidä työskentelyalue siistinä ja hyvin valaistuna.** Työpaikan epäjärjestys ja valaisemattomat työalueet voivat johtaa tapaturmiin.
- Älä käytä sähkötyökalua räjähdysalttiissa ympäristössä, jossa on palavaa nestettä, kaasua tai pölyä.** Sähkötyökalu synnyttää kipinöitä, jotka saattavat sytyttää pölyn tai höyryt.
- Pidä lapset ja sivulliset loitolla sähkötyökalua käyttäessäsi.** Voit menettää sähkötyökalun hallinnan huomiosi suuntautuessa muualle.

5.1.2 Sähköturvallisuus

- Sähkötyökalun liitäntäpistokkeen pitää sopia pistorasiaan. Pistoketta ei saa muuttaa millään tavalla. Älä käytä pistorasia-adaptoreita suojamaadotettujen sähkötyökalujen yhteydessä.** Alkuperäisessä kunnossa olevat pistokkeet ja sopivat pistorasiat vähentävät sähköiskun vaaraa.
- Vältä koskettamasta sähköä johtaviin pintoihin kuten putkiin, pattereihin, liesiin ja jääkaappeihin.** Sähköiskun vaara kasvaa, jos kehosi on maadotettu.
- Älä aseta sähkötyökalua alttiiksi sateelle tai kosteudelle.** Veden tunkeutuminen sähkötyökalun sisään lisää sähköiskun vaaraa.
- Älä kannata tai ripusta sähkötyökalua verkkojohdostaan äläkä vedä pistoketta irti pistorasiasta johdosta vetämällä. Pidä johto loitolla kuumuudesta, öljystä, terävistä reunoista ja liikkuvista osista.** Vahingoittuneet tai toisiinsa kietoutuneet johdot lisäävät sähköiskun vaaraa.
- Kun käytät sähkötyökalua ulkona, käytä ainoastaan ulkokäyttöön hyväksyttyä jatkojohtoa.** Ulkokäyttöön soveltuvan jatkojohdon käyttö pienentää sähköiskun vaaraa.

- f) **Jos sähkötyökäluä on välttämätöntä käyttää kosteassa ympäris- tössä, käytä vikavirtasuojakytkintä.** Vikavirtasuojakytkimen käyttämi- nen vähentää sähköiskun vaaraa.

5.1.3 Henkilöturvallisuus

- a) **Ole valpas, kiinnitä huomiota työskentelyysi ja noudata tervettä järkeä sähkötyökäluä käyttäessäsi. Älä käytä sähkötyökäluä, jos olet väsynyt tai huumeiden, alkoholin tai lääkkeiden vaikutuksen alaisena.** Sähkötyökäluä käytettäessä hetkellinenkin varomattomuus saattaa aiheuttaa vakavia vammoja.
- b) **Käytä suojavarusteita. Käytä aina suojalaseja.** Suojavarusteet, kuten hengityssuojain, luistamattomat turvajalkineet, kypärä ja kuulosuojaimet pienentävät sähkötyökäluen käyttötilanteesta riippuen oikein käytettyinä loukkaantumiseriskiä.
- c) **Vältä tahatonta käynnistämistä. Varmista, että sähkötyökälu on kyt- ketty pois päältä, ennen kuin liität sen verkkovirtaan ja/tai liität sii- hen akun, otat sen käteesi tai kannat sitä.** Jos kannat sähkötyökäluä sormi käynnistyskytkimellä tai liität pistokkeen pistorasiaan käynnistys- kytkimen ollessa käyntiasennossa, altistat itsesi onnettomuuksille.
- d) **Poista kaikki säätötyökäluet ja ruuvitalat, ennen kuin käynnistät sähkötyökäluen.** Työkälu tai avain, joka sijaitsee koneen pyörivässä osassa, saattaa aiheuttaa loukkaantumisen.
- e) **Vältä vaikeita työskentelyasentoja. Varmista aina tukeva seisoma- asento ja tasapaino.** Siten voit paremmin hallita sähkötyökäluä odotta- mattomissa tilanteissa.
- f) **Käytä työhösi soveltuvia vaatteita. Älä käytä löysiä työvaatteita tai koruja. Pidä hiukset, vaatteet ja käsineet loitolla liikkuvista osista.** Väljät vaatteet, korut ja pitkät hiukset voivat takertua liikkuviin osiin.
- g) **Jos pölynimu- ja keräilylaitteita voidaan asentaa, sinun on tarkas- tettava, että ne on liitetty ja että niitä käytetään oikealla tavalla.** Pö- lynpoistovarustuksen käyttö vähentää pölyn aiheuttamia vaaroja.

5.1.4 Sähkötyökäluen käyttö ja käsittely

- a) **Älä ylikuormita konetta. Käytä kyseiseen työhön tarkoitettua säh- kötyökäluä.** Sopivaa sähkötyökäluä käyttäen työskentelet paremmin ja varmemmin tehoalueella, jolle sähkötyökälu on tarkoitettu.
- b) **Älä käytä sähkötyökäluä, jota ei voi käynnistää ja pysäyttää käyn- nistyskytkimellä.** Sähkötyökälu, jota ei enää voi käynnistää ja pysäyttää käynnistyskytkimellä, on vaarallinen ja se täytyy korjata.
- c) **Irrota pistoke pistorasiasta ja/tai irrota akku ennen kuin muutat säätöjä, vaihdat terää tai lisävarusteita ja kun lopetat työkäluen käyt-**

tämisen. Tämä turvatoimenpide estää sähkötyökalun käynnistymisen vahingossa.

- d) **Säilytä sähkötyökalut poissa lasten ulottuvilta, kun niitä ei käytetä. Älä anna sellaisten henkilöiden käyttää sähkötyökalua, jotka eivät tunne sitä tai jotka eivät ole lukeneet tätä käyttöohjetta.** Sähkötyökalut ovat vaarallisia, jos niitä käyttävät kokemattomat henkilöt.
- e) **Hoida sähkötyökalujasi huolella. Tarkasta, että liikkuvat osat toimivat moitteettomasti eivätkä ole puristuksissa, ja tarkasta myös, ettei sähkötyökalussa ole murtuneita tai vaurioituneita osia, jotka saattaisivat haitata sen toimintaa. Korjauta vaurioituneet osat ennen työkalun käyttämistä.** Usein loukkaantumisten ja tapaturmien syynä on sähkötyökalujen laiminlyöty huolto.
- f) **Pidä terät terävinä ja puhtaina.** Huolella hoidetut terät, joiden leikkausreunat ovat teräviä, eivät jumitu herkästi, ja niillä työnteko on kevyempää.
- g) **Käytä sähkötyökalua, lisävarusteita ja tarvikkeita, teriä jne. niiden käyttöohjeiden mukaisesti. Ota tällöin työolosuhteet ja suoritettava työtehtävä huomioon.** Sähkötyökalun käyttö muuhun kuin sille tarkoitettuun käyttöön saattaa johtaa vaarallisiin tilanteisiin.

fi

5.1.5 Akkukäyttöisen työkalun käyttö ja käsittely

- a) **Lataa akku vain valmistajan suosittamalla laturilla.** Jos laturi on tarkoitettu vain tietyn akkumallin lataamiseen, palovaara on olemassa, jos laturia käytetään muiden akkujen lataamiseen.
- b) **Käytä ainoastaan juuri kyseiseen sähkötyökaluun tarkoitettua akkua.** Jonkin muun akun käyttö saattaa johtaa loukkaantumiseen ja tulipaloon.
- c) **Pidä irrallinen akku loitolla metalliesineistä, kuten paperinliittimistä, kolikoista, avaimista, nautoista, ruuveista tai muista pienistä metalliesineistä, jotka voivat oikosulkea akun liittimet.** Akun liittimien välinen oikosulku saattaa aiheuttaa palovammoja tai johtaa tulipaloon.
- d) **Väärästä käytöstä johtuen saattaa akusta vuotaa nestettä, jota ei saa koskettaa. Jos nestettä vahingossa joutuu iholle, huuhteles kosketuskohta vedellä. Jos nestettä pääsee silmiin, tarvitaan lisäksi lääkärin apua.** Akusta vuotava neste saattaa aiheuttaa ärsytystä ja palovammoja.

5.1.6 Huolto

- a) **Anna koulutettujen ammattihenkilöiden korjata sähkötyökalusi ja hyväksy korjauksiin vain alkuperäisiä varaosia.** Siten varmistat, että sähkötyökalu säilyy turvallisena.

5.2 Porakoneita koskevat turvallisuusohjeet

- a) **Käytä kuulosuojaimia, kun poraat iskulla.** Muutoin melu saattaa heikentää kuuloasi.
- b) **Käytä koneen mukana toimitettuja lisäkäsikahvoja.** Koneen hallinnan menettäminen saattaa aiheuttaa loukkaantumisia.
- c) **Pidä koneesta kiinni vain sen eristetyistä kahvapinnoista, jos teet työtä, jossa terä saattaa osua rakenteen sisällä olevaan virtajohtoon.** Jos terä osuu virtajohtoon, koneen metalliosiin saattaa johtua virta, jolloin saatat saada sähköiskun

5.3 Muut turvallisuusohjeet

fi

5.3.1 Henkilöturvallisuus

- a) **Pidä koneesta kiinni vain sen eristetyistä kahvapinnoista, jos teet työtä, jossa ruuvi saattaa osua rakenteen sisällä olevaan virtajohtoon.** Jos ruuvi osuu virtajohtoon, myös koneen metalliosiin saattaa johtua virta, ja saatat saada sähköiskun.
- b) **Pidä koneesta kiinni sen käsikahvoista aina molemmilla käsillä. Pidä käsikahvat kuivina ja puhtaina öljystä ja rasvasta.**
- c) **Pidä työssäsi rentouttavia taukoja, joiden aikana tee sormivoimisteluliikkeitä varmistaaksesi sormiesi hyvän verenkierron.**
- d) **Vältä pyörivien osien koskettamista. Kytke kone päälle vasta, kun olet juuri aloittamassa työn.** Pyörivien osien koskettaminen, etenkin pyörivien työkaluterien, saattaa aiheuttaa loukkaantumisia.
- e) **Kytke päälle kytkemisen salpa päälle (suunnanvaihtokytkin keski-asentoon) aina, kun varastoit koneen tai kuljetat sitä.**
- f) **Kone ei ole tarkoitettu lasten tai vajaakykyisten henkilöiden käyttöön ilman opastusta ja valvontaa.**
- g) **Lapsille on opetettava, että tällä koneella ei saa leikkiä.**
- h) Tiettyjen materiaalien kuten lyijypitoisen maalin, joidenkin puulajien, mineraalien ja metallien pölyt voivat olla terveydelle vaarallisia. Pölyjen ihokosketus tai hengittäminen saattaa aiheuttaa allergisia reaktioita ja/tai hengitystiesairauksia koneen käyttäjälle tai lähellä oleville henkilöille. Tietyt pölyt kuten tammen tai pyökin pöly on luokiteltu syöpää aiheuttaviksi, erityisesti jos niihin liittyy puunkäsittelyn lisäaineita (kromaatti, puunsuoja-aineet). Asbestia sisältäviä materiaaleja saavat työstää vain erikoiskoulutetut henkilöt. **Käytä mahdollisuuksien mukaan hengityssuojainta. Jotta pölynpoisto on mahdollisimman tehokas, käytä soveltuvaa, Hiltin suosittelemaa liikuteltavaa pölynpoistovarustusta, joka on tarkoitettu puu- ja/tai mineraaliainespölyille ja tälle sähkötyökalulle. Varmista työpisteesi hyvä ilmanvaihto. Suositamme suo-**

datusluokan P2 hengityssuojaimen käyttämistä. Noudata maakohtaisia eri materiaalien työstöstä annettuja ohjeita ja määräyksiä.

5.3.2 Sähkötyökalujen käyttö ja hoito

- a) **Kiinnitä irrallinen työkalupale. Käytä työkalupaleen kiinnittämiseen sopivia kiinnittimiä tai ruuvipenkkiä.** Näin varmistat, että työkalupale pysyy turvallisemmin paikallaan kuin käsin pidettäessä, ja lisäksi molemmat kätesi ovat vapaat koneen käyttämiseen.
- b) **Varmista, että terä sopii koneen istukkaan ja että terä on kunnolla kiinni istukassa.**
- c) **Suuria, painavia työkaluteriä saa käyttää vain ensimmäisellä vaihteella.** Muutoin on olemassa vaara, että kone pois päältä kytkettäessä vaurioituu tai että epäsuotuisassa tilanteessa poraistukka irtaoo.

fi

5.3.3 Akkukäyttöisten sähkötyökalujen käyttö ja hoito

- a) **Varmista, että laite on kytketty pois päältä ennen kuin kiinnität akun.** Akun asennus sähkötyökaluun, jonka käynnistyskytkin on käyntiasennossa, altistaa onnettomuuksille.
- b) **Pidä akut suojassa korkeilta lämpötiloilta ja avotulelta.** Räjähdyksivaara on olemassa.
- c) **Akkuja ei saa avata, puristaa, kuumentaa yli 80°C:n lämpötilaan tai polttaa.** Muutoin on olemassa tulipalo-, räjähdys- ja syöpymisvaara.
- d) **Varo, ettei kosteutta pääse tunkeutumaan kotelon sisään.** Kotelon sisään päässyt kosteus voi aiheuttaa oikosulun, ja sen seurauksena voi syttyä tulipalo.
- e) **Käytä vain juuri kyseiseen koneeseen tarkoitettuja akkuja.** Ei-hyväksytyjen akkujen tai käyttötarkoitukseen hyväksymättömien akkujen käyttäminen aiheuttaa tulipalo- ja räjähdysvaaran.
- f) **Ota litiumioniakkujen kuljettamisesta, varastoinnista ja käyttämisestä annetut erityisohjeet huomioon.**
- g) **Irrota akku koneen varastoimisen ja kuljettamisen ajaksi.**
- h) **Älä oikosulje akkua.** Tarkasta aina ennen akun paikalleen laittamista, ettei akun liittimissä akussa ja koneessa/laitteessa ole vieraita esineitä. Jos akun liittimet oikosuljetaan, tulipalo-, räjähdys- ja syöpymisvaara on olemassa.
- i) **Vaurioitunutta akkua (esimerkiksi akkua, jossa on murtumia tai josta on irronnut palasia tai jonka liittimet ovat painuneet sisään tai vääntyneet ulos) ei saa ladata eikä käyttää.**
- j) **Jos akku on liian kuuma koskea, se saattaa olla vaurioitunut. Aseta kone riittävän etäälle syttyistä materiaaleista palovaarattomaan paikkaan, jossa voit valvoa konetta ja anna sen jäähtyä. Akun jäähtyttyä ota yhteys Hilti-huoltoon.**

5.3.4 Sähköturvallisuus



Tarkasta ennen työn aloittamista esimerkiksi metallinilmäisimellä, onko työskentelyalueella rakenteiden sisälle asennettuja sähkö-, kaasu- tai vesijohtoja. Koneen ulkopinnan metalliosiin saattaa johtua jännite, jos vaurioitit vahingossa virtajohtoa. Tästä aiheutuu vakava sähköiskun vaara.

fi

5.3.5 Työpaikka

- Varmista työpaikan hyvä valaistus.**
- Varmista työpaikan hyvä tuuletus.** Huonosti tuuletetuissa työpaikoissa esiintyvä pölykuormitus saattaa vahingoittaa terveyttä.

5.3.6 Henkilökohtaiset suojavarusteet



Koneen käyttämisen aikana koneen käyttäjän ja välittömässä läheisyydessä olevien henkilöiden on käytettävä suojalaseja, suojakypärää, kuulosuojaimia, suojakäsineitä ja kevyitä hengityssuojaimia.

6 Käyttöönotto



6.1 Akun oikea käsittely

HUOMAUTUS

Kylmyys laskee akun tehoa. Käytä työssäsi aina täyteen ladattua akkua. Siten saat akusta irti parhaan tehon. Vaihda käyttöön ajoissa toinen akku. Lataa akku välittömästi, jotta se on käyttövalmis akun seuraavaa vaihtoa varten.

Varastoi akku viileässä ja kuivassa paikassa. Älä koskaan varastoi akkua auringonpaisteessa, lämmittimen päällä tai ikkunan vieressä. Käytetyt akut on hävitettävä ympäristönsuojelumääräysten mukaisesti.

fi

6.2 Akun lataaminen



VAKAVA VAARA

Käytä vain Hilti-akkuja ja Hilti-latureita, jotka on nimetty kohdassa "Lisävarusteet".

6.2.1 Uuden akun ensimmäinen lataaminen

Lataa akku täyteen ennen ensimmäistä käyttämistä.

6.2.2 Käytetyn akun lataaminen

Varmista, että akun ulkopinnat ovat puhtaat ja kuivat, ennen kuin lataamista varten laitat akun akulle tarkoitettuun laturiin.

Lataamiseen liittyviä lisätietoja löydät laturin käyttöohjeesta.

Litiumioniakku on aina käyttövalmis, myös osittain ladattuna.

6.3 Akun kiinnittäminen

VAROITUS

Varmista ennen akun kiinnittämistä, että kone on kytketty pois päältä ja että käynnistymisen esto on kytketty päälle (suunnanvaihtokytkin keskiasennossa). Käytä aina vain koneeseen hyväksyttyä Hilti-akkua.

VAROITUS

Ennen kuin laitat akun laitteeseen, varmista ettei akun liittimissä akussa ja laitteessa ole vieraita esineitä.

1. Työnnä akku edestäpäin koneeseen siten, että se kuultavasti naksahaen lukittuu kiinnitykseensä.
2. **VAROITUS** Laitteesta putoamaan pääsevä akku saattaa vahingoittaa sinua tai muita.
Tarkasta, että akku on kunnolla kiinni koneessa.

fi

6.4 Akun irrottaminen 2

1. Paina lukituksen vapautuspainiketta.
2. Vedä akku eteenpäin irti koneesta.

6.5 Akun kuljettaminen ja varastointi

Kuljettamista tai varastoimista varten irrota akku koneesta. Varmista, että akun liittimiin ei pääse syntymään oikosulkuja. Poista irralliset metalliosat kuten ruuvit, naulat, hakaset, ruuvauskärjet, langat ja metallilastut laukusta, työkalulaatikosta tai kuljetuspakkauksesta tai estä akun pääseminen kosketuksiin niiden kanssa.

Kun lähetät akun (maantie-, juna-, laiva- tai lentorahtikuljetuksessa), ota kuljetusten kansainväliset ja kansalliset turvallisuusmääräykset huomioon.

6.6 Vyökoukku 3

VAROITUS

Ennen työn aloittamista tarkasta, että vyökoukku on kunnolla kiinnitetty.

Voit kiinnittää koneen vyökoukulla vyöhösi kätevästi ulottuville. Voit myös vaihtaa vyökoukun koneen toiselle puolelle, jos olet vasenkätinen.

1. Irrota akku koneesta.
2. Laita ruuvikiinnityslevy sille tarkoitettuun ohjuriin.
3. Kiinnitä vyökoukku kahdella ruuvilla.



VAROITUS

Kone saattaa kuumentua käytön aikana. **Käytä suojakäsineitä.**

VAROITUS

Porattaessa ja ruuvattaessa kone saattaa pyrkiä liikkumaan sivusuunnassa.

VAROITUS

Käytä suojakäsineitä, kun vaihdat työkaluterää, jotta se ei aiheuta vammoja.

fi

7.1 Pyörimissuunnan valinta **4**

HUOMAUTUS

Suunnanvaihtokytkimellä voit valita istukan pyörimissuunnan. Salpa estää suunnan vaihtamisen moottorin käydessä. Keskiaseennossa käyttökytkin on lukittu. Paina suunnanvaihtokytkintä vasemmalle (koneen toimintasuuntaan nähden), jolloin pyörimissuunta oikealle kytkeytyy. Paina suunnanvaihtokytkintä oikealle (koneen toimintasuuntaan nähden), jolloin pyörimissuunta vasemmalle kytkeytyy.

7.2 Kierroslukualueen valinta **5**

VAARA

Suuria, painavia työkaluteriä saa käyttää vain ensimmäisellä vaihteella. Muutoin on olemassa vaara, että kone pois päältä kytkettäessä vaurioituu tai että epäsuotuisassa tilanteessa poraistukka irtoaa.

HUOMAUTUS

Voit valita koneen kierrosluvun vaihdekytkimellä. Koneen SF 2-A/SFD 2-A kierroslukualueet täyteen ladatulla akulla: 1. vaihde: 0-400/min, 2. vaihde: 0-1500/min.

HUOMAUTUS

Vaihdekytkintä voit käyttää vain, kun moottori ei pyöri.

7.3 Kytkeminen päälle ja pois päältä

Käyttökytkintä hitaasti painamalla voit säätää kierroslukua portaattomasti maksimikierroslukuun saakka.

7.4 Työkaluterän vaihto

VAROITUS

Terää vaihtaessasi käytä suojakäsineitä, koska käytön myötä terä kuumenee.

Tarkasta, että työkaluterän istukkapää on puhdas. Tarvittaessa puhdista kiinnityspää.

7.4.1 Koneen SF 2-A työkaluterän vaihto

HUOMAUTUS

Koneessa on pikaistukka, joka soveltuu erilaisten työkaluterien (esimerkiksi poranterä, ruuvauskärki ja ruuvauskärjenpidin) kiinnittämiseen.

fi

7.4.1.1 Työkaluterän kiinnitys

1. Kytke suunnanvaihtokytkin keskiasentoon tai irrota akku koneesta.
2. Avaa pikaistukka.
3. Ohjaa työkaluterä istukkaan ja kierrä pikaistukka kiinni.
4. Varmista, että työkaluterä on kunnolla kiinni.

7.4.1.2 Työkaluterän irrotus

1. Kytke suunnanvaihtokytkin keskiasentoon tai irrota akku koneesta.
2. Avaa pikaistukka.
3. Vedä työkaluterä irti istukasta.

7.4.2 Koneen SFD 2-A työkaluterän vaihto

HUOMAUTUS

Koneessa on 1/4"-kuusiokolo ja lukitsinholkki erilaisten työkaluterien (esimerkiksi poranterä, ruuvauskärki ja ruuvauskärjenpidin) kiinnittämiseen.

7.4.2.1 Työkaluterän kiinnitys

1. Kytke suunnanvaihtokytkin keskiasentoon tai irrota akku koneesta.
2. Vedä istukan lukitsinholkkia kuusiokolosta eteenpäin ja pidä se tässä asennossa.
3. Laita työkaluterä vasteeseen saakka kuusiokoloon ja vapauta lukitsinholkki.
4. Varmista, että työkaluterä on kunnolla kiinni.

7.4.2.2 Työkaluterän irrotus

1. Kytke suunnanvaihtokytkin keskiasentoon tai irrota akku koneesta.

2. Vedä istukan lukitsinholkkia kuusiokolosta eteenpäin ja pidä se tässä asennossa.
3. Vedä työkaluterä kuusiokolosta ja vapauta lukitsinholkki.

7.5 Poraaminen

VAROITUS

Käytä työkappaleen kiinnittämiseen sopivia kiinnittimiä tai ruuvipenkkiä. Näin varmistat, että työkappale pysyy turvallisemmin paikallaan kuin käsin pideltäessä, ja lisäksi molemmat kätesi ovat vapaat koneen käyttämiseen.

1. Kierrä vääntömomentin ja poraamisen säätörengas poraamisen symbolin kohdalle.
2. Kytke suunnanvaihtokytkimellä pyörimissuunta oikealle.

fi

7.6 Ruuvaaminen

1. Valitse vääntömomentti vääntömomentin ja porauksen säätörengalla.
2. Valitse haluamasi pyörimissuunta suunnanvaihtokytkimellä.

7.7 Litiumioniakun lataustilan tarkastaminen

HUOMAUTUS

Lataustilaa ei voi tarkastaa työskentelemisen aikana.

HUOMAUTUS

Kun akku laitetaan koneeseen, akun lataustila voidaan tarkastaa lataustilan näytön LED-merkkivalojen lyhyestä syttymisestä.

Litiumioniakussa on lataustilan näyttö. Kun kone ei ole käytössä, akun lataustila näytetään neljällä LED-merkkivalolla akun kiinnityksen lukituspainikkeen painamisen yhteydessä.

8 Huolto ja kunnossapito

VAROITUS

Irrota akku ennen kuin ryhdyt puhdistustöihin, jotta kone ei vahingossa käynnisty!

8.1 Työkalujen hoito

Poista työkaluihin tarttunut lika ja suojaa säännöllisesti öljytyllä liinalla pyyhkien työkalujen pinnat korroosiolta.

8.2 Koneen hoito

VAROITUS

Pidä kone ja etenkin sen kahvapinnat kuivina, puhtaina, öljyttöminä ja rasvattomina. Älä käytä siilikonia sisältäviä hoitoaineita.

Koneen ulkokuori on valmistettu iskunkestävästä muovista. Kahvat on valmistettu synteettisestä kumista.

Älä koskaan käytä konetta, jos sen tuuletusraot ovat tukkeutuneet! Puhdista tuuletusraot varovasti kuivalla harjalla. Varo, ettei koneen sisään pääse tunkeutumaan vieraita esineitä. Puhdista koneen ulkopinnat kostealla liinalla säännöllisin välein. Älä käytä puhdistamiseen vesisuihkua, paine- tai höyrypesuria äläkä juoksevaa vettä! Muutoin koneen sähköturvallisuus vaarantuu.

fi

8.3 Li-ioniakkujen hoito

Varo, ettei kosteutta pääse tunkeutumaan kotelon sisään.

Lataa akku täyteen ennen ensimmäistä käyttämistä.

Jotta akku kestäisi mahdollisimman pitkään, lopeta akun purkaminen, kun akun teho selvästi heikentyy.

HUOMAUTUS

Jos jatkat käyttämistä, akun purkaminen päättyy automaattisesti ennen kuin akun kennoihin syntyy vaurioita.

Lataa akku aina vain li-ioniakuille tarkoitetuilla Hilti-latureilla.

HUOMAUTUS

- Akun virkistyslataaminen NiCd- tai NiMH-akkujen tapaan ei ole tarpeen.
- Lataamisen keskeyttäminen ei vaikuta akun kestoikään.
- Voit myös aloittaa lataamisen milloin vain ilman että akun kestoikä siitä kärsii. NiCd- tai NiMH-akuista tuttua lataustason muistamisilmiötä ei esiinny.
- Akut on parasta varastoida täyteen ladattuina viileässä ja kuivassa paikassa. Akun varastoiminen korkeissa lämpötiloissa (esimerkiksi ikkunalasin takana) ei ole suositeltavaa, sillä muutoin akun kestoikä lyhenee ja kennojen itsepurkautumistaso nousee.
- Jos akkua ei enää saa ladattua täyteen, akun kapasiteetti on laskenut vanhentumisen tai ylikuormituksen seurauksena. Tällaista akkua voidaan vielä käyttää. Akku on kuitenkin syytä vaihtaa pian uuteen.

8.4 Kunnossapito

VAARA

Sähköosien korjaustyöt saa tehdä ainoastaan ammattitaitoinen erikoiskorjaamo.

Tarkasta säännöllisin välein koneen ulkoisten osien sekä kaikkien käyttö- ja hallintalaitteiden kunto ja toiminta. Älä käytä konetta, jos sen osissa on vaurioita tai jos käyttö- ja hallintalaitteet eivät toimi moitteettomasti. Korjauta kone Hilti-huollossa.

8.5 Tarkastus huolto- ja kunnossapitotöiden jälkeen

Koneen huolto- ja kunnossapitotöiden jälkeen on tarkastettava, että kaikki suojaruusteet on asennettu oikein ja että ne toimivat moitteettomasti.

9 Vianmääritys

Vika	Mahdollinen syy	Korjaus
Kone ei toimi.	Akku ei ole kunnolla paikallaan tai akku on tyhjä.	Akun pitää lukittua paikalleen kuultavasti naksahdusta, tai akku on ladattava.
	Sähköinen vika.	Irrota akku koneesta ja hakeudu Hilti-huoltoon.
Käyttökytkintä ei saa painettua tai se on lukittunut.	Suunnanvaihtokytkin keskiasennossa (kuljetusasento).	Paina suunnanvaihtokytkin vasemmalle tai oikealle.
Akku tyhjenee tavallista nopeammin.	Akun kunto ei optimaalinen.	Tarkastuta Hilti-huollossa tai vaihda akku.
Akku ei lukitu paikalleen selvästi naksahdusta.	Akun korvakkeet likaantuneet.	Puhdista korvakkeet ja lukitse akku paikalleen. Jos ongelma ei poistunut, hakeudu Hilti-huoltoon.
Kone tai akku kuumenee voimakkaasti.	Sähköinen vika.	Kytke kone heti pois päältä, irrota akku koneesta ja hakeudu Hilti-huoltoon.
	Kone on ylikuormittunut (käyttökuormitusraja ylittynyt).	Valitse työtehtävään sopiva kone.

fi

10 Hävittäminen

VAROITUS

Koneen virheellinen hävittäminen saattaa aiheuttaa seuraavaa: Muoviosien polttamisessa syntyy myrkyllisiä kaasuja, jotka voivat johtaa sairastumisiin. Paristot ja akut saattavat vaurioituessaan tai kuumentuessaan räjähtää, jolloin ne saattavat aiheuttaa myrkytyksen, palovammoja, syöpymisvammoja ja ympäristön saastumisen. Huolimattomasti hävitetty kone saattaa joutua asiattomien henkilöiden käyttöön, jotka voivat käyttää konetta väärin. He saattavat aiheuttaa vammoja itselleen tai toisille ja saastuttaa ympäristöä.

VAROITUS

Hävitä vialliset akut viipymättä. Pidä ne poissa lasten ulottuvilta. Älä pura akkua äläkä polta sitä.

fi

VAROITUS

Hävitä vanhat akut maakohtaisten ympäristönsuojelumääräysten mukaisesti tai toimita vanhat akut Hiltille hävitettäväksi.



Hilti-koneet ja -laitteet on pääosin valmistettu kierrätyskelpoisista materiaaleista. Kierrätyksen edellytys on materiaalien asianmukainen erottelu. Hilti (Suomi) Oy ottaa vanhat työkalut kierrätettäväksi. Lisätietoja saat Hilti-asiakaspalvelusta tai Hilti-myyntiedustajalta.



Koskee vain EU-maita

Älä hävitä sähkötyökaluja tavallisen kotitalousjätteen mukana! Sähkö- ja elektroniikkalaiteromua koskevan EU-direktiivin ja sen maakohtaisten sovellusten mukaisesti käytetyt sähkötyökalut on toimitettava erilliskeräyspisteeseen ja ohjattava ympäristöystävälliseen kierrätykseen.

11 Valmistajan myöntämä takuu

Jos sinulla on takuuehtoihin liittyviä kysymyksiä, ota yhteys paikalliseen Hilti-edustajaan.

12 EU-vaatimustenmukaisuusvakuutus (originaali)

Nimi:	Akkuporakone
Tyypimerkintä:	SF 2-A/SFD 2-A
Sukupolvi:	01
Suunnitteluvuosi:	2013

Vakuutamme, että tämä tuote täyttää seuraavien direktiivien ja normien vaatimukset: 2006/42/EY, 2004/108/EY, 2006/66/EY, 2011/65/EY, EN 60745-1, EN 60745-2-1, EN 60745-2-2, EN ISO 12100.

Hilti Corporation, Feldkircherstrasse 100, FL-9494 Schaan



Paolo Luccini
Head of BA Quality and Process Management
Business Area Electric Tools & Accessories
03/2014



Tassilo Deinzer
Executive Vice President
Business Unit Power Tools & Accessories
03/2014

Tekninen dokumentaatio:

Hilti Entwicklungsgesellschaft mbH
Zulassung Elektrowerkzeuge
Hiltistrasse 6
86916 Kaufering
Deutschland

fi

ОРИГИНАЛЬНОЕ РУКОВОДСТВО ПО ЭКСПЛУАТАЦИИ

Аккумуляторная дрель-шуруповёрт SF 2-A/SFD 2-A

Перед началом работы обязательно изучите руководство по эксплуатации.

Всегда храните данное руководство по эксплуатации рядом с инструментом.

При смене владельца обязательно передайте руководство по эксплуатации вместе с инструментом.

ru

Содержание

1	Общие указания	135
2	Описание	137
3	Инструменты, аксессуары	139
4	Технические характеристики	140
5	Указания по технике безопасности	142
6	Подготовка к работе	149
7	Эксплуатация	151
8	Уход и техническое обслуживание	154
9	Поиск и устранение неисправностей	156
10	Утилизация	157
11	Гарантия производителя	158
12	Декларация соответствия нормам ЕС (оригинал)	158

И Цифрами обозначены соответствующие иллюстрации. Иллюстрации к тексту расположены на разворотах. Используйте их при изучении руководства.

В тексте данного руководства по эксплуатации «инструмент» всегда обозначает аккумуляторную дрель-шуруповёрт SF 2-A или SFD 2-A с присоединяемым аккумулятором.

Компоненты инструмента, органы управления и элементы индикации 1

- ① Быстрозажимной патрон (SF 2-A)
- ② Кольцо регулировки крутящего момента и установки режима сверления
- ③ Переключатель частоты вращения
- ④ Внутренний шестигранник с фиксирующей втулкой (SFD 2-A)
- ⑤ Переключатель левого/правого вращения
- ⑥ Рукоятки
- ⑦ Лампа
- ⑧ Крепёжный крючок (опция)
- ⑨ Индикатор уровня заряда
- ⑩ Кнопка деблокировки (аккумуляторного блока)
- ⑪ Основной выключатель (с электронной регулировкой частоты вращения)

ru

1 Общие указания

1.1 Сигнальные сообщения и их значения

ОПАСНО

Общее обозначение непосредственной опасной ситуации, которая может повлечь за собой тяжёлые травмы или представлять угрозу для жизни.

ВНИМАНИЕ

Общее обозначение потенциально опасной ситуации, которая может повлечь за собой тяжёлые травмы или представлять угрозу для жизни.

ОСТОРОЖНО

Общее обозначение потенциально опасной ситуации, которая может повлечь за собой лёгкие травмы или повреждение оборудования.

УКАЗАНИЕ

Указания по эксплуатации и другая полезная информация.

1.2 Обозначение пиктограмм и другие обозначения

Предупреждающие знаки



Опасность



Опасность
поражения
электрическим
током



Едкие вещества

Предписывающие знаки

ru



Используйте
защитные очки



Используйте
защитную каску



Используйте
защитные наушники



Используйте
защитные перчатки



Используйте
респиратор

Символы



Перед началом работы прочтите руководство по эксплуатации



Вольт



Постоянный ток



Номинальная частота вращения на холостом ходу



Оборотов в минуту



Сверление без удара



Направьте отработанные материалы на переработку

ru

Расположение идентификационных данных на инструменте

Типовое обозначение указано на заводской табличке внизу инструмента, а серийный номер сбоку на корпусе. Занесите эти данные в настоящее руководство по эксплуатации. Они необходимы при сервисном обслуживании инструмента и консультациях по его эксплуатации.

Тип:

Поколение: 01

Серийный номер:

2 Описание

2.1 Использование инструмента по назначению

SF 2-A и SFD 2-A представляют собой ручные аккумуляторные дрели-шуруповёрты, предназначенные для сверления стали, древесины и пластмассы, а также для заворачивания и выворачивания шурупов.

Использовать опасные для здоровья материалы (например, асбест) запрещается.

Не подключайте аккумуляторы к другим устройствам.

Внесение изменений в конструкцию инструмента и его модификация запрещаются.

Во избежание травм персонала и повреждения инструмента используйте только оригинальные принадлежности и инструменты производства Hilti.

Соблюдайте указания по эксплуатации, уходу и техническому обслуживанию инструмента, приведенные в настоящем руководстве по эксплуатации.

Инструмент предназначен для профессионального использования, поэтому может обслуживаться и ремонтироваться только уполномоченным персоналом. Персонал должен пройти специальный инструктаж по технике безопасности. Использование инструмента не по назначению или его эксплуатация необученным персоналом представляют опасность.

Возможные области и варианты использования инструмента: строительная площадка, мастерская, выполнение ремонтных работ разных типов.

ru

2.2 Зажимное устройство

Быстрозажимной патрон для SF 2-A и внутренний шестигранник для SFD 2-A.

2.3 Переключатели/выключатели

Основной выключатель с электронной регулировкой частоты вращения
Переключатель частоты вращения

Переключатель левого/правого вращения с блокировкой включения

Кольцо регулировки крутящего момента и установки режима сверления

2.4 Рукоятка

Вибропоглощающая (основная) рукоятка

2.5 В комплект поставки в кейсе входят:

- 1 Инструмент
- 1 Руководство по эксплуатации
- 1 Чемодан Hilti

2.6 В комплект поставки в картонной упаковке входят:

- 1 Инструмент
- 1 Руководство по эксплуатации

2.7 Что еще необходимо для эксплуатации инструмента

1 аккумулятор В 12/2,6 Li-Ion с зарядным устройством С4/12-50.

2.8 Индикатор уровня заряда литий-ионного аккумулятора

Светодиод горит непрерывно	Светодиод мигает	Уровень заряда С
Светодиод 1, 2, 3, 4	-	$C \geq 75 \%$
Светодиод 1, 2, 3	-	$50 \% \leq C < 75 \%$
Светодиод 1, 2	-	$25 \% \leq C < 50 \%$
Светодиод 1	-	$10 \% \leq C < 25 \%$
-	Светодиод 1	$C < 10 \%$

ru

2.9 Защита от перегрузки и перегрева

Инструмент оснащен электронной системой защиты от перегрузки и перегрева (электродвигателя). При перегрузке/перегреве инструмент автоматически выключается. Кратковременное отпущение и последующее нажатие основного выключателя могут привести к задержкам включения (обусловленные фазами охлаждения инструмента).

УКАЗАНИЕ

Перегрузка или перегрев посредством светодиодов на аккумуляторном блоке не отображаются.

3 Инструменты, аксессуары

Наименование	Условные обозначения
Зарядное устройство для литий-ионного аккумуляторного блока	С 4/12-50
Аккумуляторный блок	В 12/2.6 Li-Ion
Крепёжный крючок (опция)	

Наименование	Назначение
Диапазон зажима быстрозажимного патрона	$\varnothing 0,8 \dots 10$ мм
Диапазон диаметров сверления древесины (мягкой)	$\varnothing 0,8 \dots 14$ мм
Диапазон диаметров сверления древесины (твердой)	$\varnothing 0,8 \dots 10$ мм

Наименование	Назначение
Диапазон диаметров сверления металла	∅ 0,8...6 мм
Шурупы по дереву (макс. длина 80 мм)	∅ 3...6 мм

4 Технические характеристики

Производитель оставляет за собой право на внесение технических изменений!

Инструмент	SF 2-A	SFD 2-A
Номинальное напряжение (постоянное напряжение)	10,8 В	10,8 В
Масса согласно методу ЕРТА 01/2003	1,1 кг	1,0 кг
Частота вращения, 1-я ступень (с В 12/2,6)	0...400/min	0...400/min
Частота вращения, 2-я ступень (с В 12/2,6)	0...1500/min	0...1500/min
Крутящий момент (заворачивание шурупов в мягкую древесину) Установка – Символ режима сверления	Макс. 12 Нм	Макс. 12 Нм
Регулировка крутящего момента (15 ступеней)	0,5...3,5 Нм	0,5...3,5 Нм

УКАЗАНИЕ

Указанный в настоящих инструкциях уровень вибрации установлен с помощью метода измерения по EN 60745 и может использоваться для сравнения с другими электроинструментами. Он также подходит для предварительной оценки вибрационной нагрузки. Указанный уровень вибрации фактически соответствует областям применения электроинструмента. Однако если электроинструмент используется для других целей, с другими рабочими инструментами или в случае его неудовлетворительного техобслуживания, уровень вибрации может быть иным. Вследствие этого в течение всего периода работы инструмента возможно значительное увеличение вибрационной нагрузки. Для точного

определения вибрационной нагрузки следует также учитывать промежутки времени, в течение которых инструмент находится в выключенном состоянии или работает вхолостую. Вследствие этого в течение всего периода работы инструмента возможно значительное уменьшение вибрационной нагрузки. Примите дополнительные меры безопасности для защиты оператора от воздействия возникающей вибрации, например: техническое обслуживание электроинструмента и рабочих инструментов, сохранение тепла рук, правильная организация рабочих процессов.

Данные о шуме и вибрации (измерения определены по EN 60745):

A-скорректированное значение уровня шума для SF 2-A/SFD 2-A	75 дБ (A)
A-скорректированное значение уровня звукового давления для SF 2-A/SFD 2-A	64 дБ (A)
Погрешность приведенных выше показателей уровня шума	3 дБ (A)

Значения вибрации по трем осям (векторная сумма)	Измерения согласно EN 60745-2-2
Для SF 2-A/SFD 2-A: заворачивание без удара, a_h	0,5 м/с ²
Погрешность (K)	1,5 м/с ²

Значения вибрации по трем осям (векторная сумма)	Измерения согласно EN 60745-2-1
Для SF 2-A/SFD 2-A: Сверление в металле, $a_{h, D}$	1,9 м/с ²
Погрешность (K) значений вибрации по трем осям	1,5 м/с ²

Аккумуляторный блок	B 12/2.6 Li-Ion
Номинальное напряжение	10,8 В
Емкость	2,6 Ач
Энергоемкость	28,08 Вт/ч
Масса	0,24 кг
Контроль температуры	Да
Тип	литий-ионный
Количество элементов в блоке	3 шт.

ru

УКАЗАНИЕ

Приведенные в главе 5.1 указания по технике безопасности включают в себя все общие меры безопасности при эксплуатации электроинструментов, приводимые в данном руководстве по эксплуатации согласно принятым нормам. В связи с этим возможно наличие указаний, не относящихся к данному инструменту.

5.1 Общие указания по технике безопасности для электроинструментов

a)  **ВНИМАНИЕ**

Прочтите все указания по мерам безопасности и инструкции. Невыполнение приведенных ниже указаний может привести к поражению электрическим током, пожару и/или вызвать тяжелые травмы. **Сохраните все указания по технике безопасности и инструкции для следующего пользователя.** Используемый далее термин «электроинструмент» относится к электроинструменту, работающему от электрической сети (с сетевым кабелем) и от аккумулятора (без сетевого кабеля).

5.1.1 Безопасность рабочего места

- Следите за чистотой и порядком на рабочем месте.** Беспорядок на рабочем месте и плохое освещение могут привести к несчастным случаям.
- Не используйте электроинструмент во взрывоопасной зоне, где имеются горючие жидкости, газы или пыль.** При работе электроинструмент искрит, и искры могут воспламенить пыль или пары.
- Не разрешайте детям и посторонним приближаться к работающему электроинструменту.** Отвлекаясь от работы, можно потерять контроль над электроинструментом.

5.1.2 Электрическая безопасность

- Соединительная вилка электроинструмента должна соответствовать розетке электросети. Не изменяйте конструкцию вилки. Не используйте переходные вилки с электроинструментами с защитным заземлением.** Оригинальные вилки и соответствующие им розетки снижают риск поражения электрическим током.
- Избегайте непосредственного контакта с заземлёнными поверхностями, например с трубами, отопительными приборами, печами (плитами) и холодильниками.** При соприкосновении с зазем-

лёнными предметами возникает повышенный риск поражения электрическим током.

- c) **Предохраняйте электроинструменты от дождя или воздействия влаги.** В результате попадания воды в электроинструмент возрастает риск поражения электрическим током.
- d) **Не используйте кабель не по назначению, например, для переноски электроинструмента, его подвешивания или для выдёргивания вилки из розетки электросети. Защищайте кабель от воздействий высоких температур, масла, острых кромок или вращающихся узлов электроинструмента.** В результате повреждения или схлёстывания кабеля повышается риск поражения электрическим током.
- e) **Если работы выполняются на открытом воздухе, применяйте только удлинительные кабели, которые разрешено использовать вне помещений.** Применение удлинительного кабеля, пригодного для использования вне помещений, снижает риск поражения электрическим током.
- f) **Если нельзя избежать работы с электроинструментом в условиях влажности, используйте автомат защиты от тока утечки.** Использование автомата защиты от тока утечки снижает риск поражения электрическим током.

ru

5.1.3 Безопасность персонала

- a) **Будьте внимательны, следите за своими действиями и серьезно относитесь к работе с электроинструментом. Не пользуйтесь электроинструментом, если вы устали или находитесь под действием наркотиков, алкоголя или медикаментов.** Незначительная ошибка при невнимательной работе с электроинструментом может стать причиной серьёзного травмирования.
- b) **Применяйте индивидуальные средства защиты и всегда обязательно надевайте защитные очки.** Использование индивидуальных средств защиты, например, респиратора, обуви на нескользящей подошве, защитной каски или защитных наушников, в зависимости от вида и условий эксплуатации электроинструмента, снижает риск травмирования.
- c) **Избегайте непреднамеренного включения электроинструмента. Убедитесь в том, что электроинструмент выключен, прежде чем подключить его к электропитанию и/или вставить аккумулятор, поднимать или переносить его.** Ситуации, когда при переноске электроинструмента пальцы находятся на выключателе или когда включенный электроинструмент подключается к сети, могут привести к несчастным случаям.

- d) **Перед включением электроинструмента удалите регулировочные устройства и гаечный ключ.** Инструмент или ключ, находящийся во вращающейся части электроинструмента, может привести к травмам.
- e) **Старайтесь избегать неестественных поз при работе. Постоянно сохраняйте устойчивое положение и равновесие.** Это позволит лучше контролировать электроинструмент в непредвиденных ситуациях.
- f) **Носите спецодежду. Не надевайте очень свободной одежды или украшений. Оберегайте волосы, одежду и перчатки от вращающихся узлов электроинструмента.** Свободная одежда, украшения и длинные волосы могут быть захвачены ими.
- g) **Если предусмотрено подсоединение устройств для сбора и удаления пыли, убедитесь, что они подсоединены и используются по назначению.** Использование модуля пылеудаления снижает вредное воздействие пыли.

5.1.4 Использование и обслуживание электроинструмента

- a) **Не допускайте перегрузки электроинструмента. Используйте электроинструмент, предназначенный именно для данной работы.** Соблюдение этого правила обеспечит более высокое качество и безопасность работы в указанном диапазоне мощности.
- b) **Не используйте электроинструмент с неисправным выключателем.** Электроинструмент, включение или выключение которого затруднено, представляет опасность и должен быть отремонтирован.
- c) **Прежде чем приступить к регулировке электроинструмента, замене принадлежностей или перед перерывом в работе, выньте вилку из розетки и/или аккумулятор из электроинструмента.** Эта мера предосторожности предотвращает случайное включение электроинструмента.
- d) **Храните неиспользуемые электроинструменты в местах, недоступных для детей. Не давайте электроинструмент лицам, которые не умеют им пользоваться или не прочитали настоящих указаний.** Электроинструменты представляют собой опасность в руках неопытных пользователей.
- e) **Бережно обращайтесь с электроинструментами. Проверяйте безупречное функционирование подвижных частей, легкость их хода, целостность и отсутствие повреждений, которые могли бы отрицательно повлиять на работу электроинструмента. Сдавайте поврежденные части инструмента в ремонт до его использования.** Причиной многих несчастных случаев является несоблюдение правил технического обслуживания электроинструментов.

- f) **Необходимо следить за тем, чтобы режущие инструменты были острыми и чистыми.** Заклинивание содержащихся в рабочем состоянии режущих инструментов происходит реже, ими легче управлять.
- g) **Применяйте электроинструмент, принадлежности, вспомогательные устройства и т. д. согласно указаниям. Учитывайте при этом рабочие условия и характер выполняемой работы.** Использование электроинструментов не по назначению может привести к опасным ситуациям.

5.1.5 Использование и обслуживание аккумуляторного инструмента

- a) **Заряжайте аккумуляторы только при помощи зарядных устройств, рекомендованных изготовителем.** При использовании зарядного устройства для зарядки несоответствующих ему типов аккумуляторов возможна опасность возгорания.
- b) **Используйте только оригинальные аккумуляторы, рекомендованные специально для этого инструмента.** Использование других аккумуляторов может привести к травмам и опасности возгорания.
- c) **Неиспользуемые аккумуляторы храните вдали от скрепок, монет, ключей, иголок, винтов и других мелких металлических предметов, которые могут стать причиной замыкания контактов.** Замыкание контактов аккумулятора может привести к ожогам или возгоранию.
- d) **При неверном обращении с аккумулятором из него может вытечь электролит. Избегайте контакта с ним. При случайном контакте смойте водой. При попадании электролита в глаза немедленно обратитесь за помощью к врачу.** Вытекший из аккумулятора электролит может привести к раздражению кожи или ожогам.

5.1.6 Сервис

- a) **Доверяйте ремонт своего электроинструмента только квалифицированному персоналу, использующему только оригинальные запчасти.** Этим обеспечивается поддержание электроинструмента в безопасном и исправном состоянии.

5.2 Указания по технике безопасности при работе с дрелями

- a) **При работе с ударными дрелями носите защитные наушники.** В результате воздействия шума возможна потеря слуха.
- b) **Используйте дополнительные рукоятки, которые входят в комплект инструмента.** Потеря контроля над инструментом может привести к травмам.

- c) При опасности повреждения рабочим инструментом скрытой электропроводки держите инструмент за изолированные поверхности. При контакте с токопроводящей линией металлические части инструмента также находятся под напряжением, что может привести к поражению электрическим током.

5.3 Дополнительные указания по технике безопасности

5.3.1 Безопасность персонала

- a) При опасности повреждения заворачиваемым шурупом скрытой электропроводки держите электроинструмент за изолированные поверхности. При контакте шурупа с токопроводящими предметами незащищенные металлические части инструмента находятся под напряжением, что может привести к поражению электрическим током.
- b) Всегда держите инструмент за рукоятки обеими руками. Следите за тем, чтобы рукоятки были сухими и без следов масла и смазки.
- c) Чтобы во время работы руки не затекали, делайте перерывы для расслабления и разминки пальцев.
- d) Не прикасайтесь к вращающимся деталям инструмента. Включайте инструмент только после того, как подведете его к рабочей зоне. Прикосновение к вращающимся узлам, в особенности к вращающимся насадкам, может привести к травмам.
- e) При хранении и транспортировке инструмента в чемодане активизируйте блокировку включения (переключатель левого/правого вращения должен находиться в среднем положении).
- f) Инструмент не предназначен для использования детьми или физически ослабленными лицами без соответствующего инструктажа.
- g) Дети должны знать о том, что им запрещено играть с инструментом.
- h) Пыль, возникающая при обработке материалов, содержащих свинец, некоторых видов древесины, минералов и металлов, может представлять собой опасность для здоровья. Вдыхание частиц такой пыли или контакт с ней может стать причиной появления аллергических реакций и/или заболеваний дыхательных путей. Некоторые виды пыли (например пыль, возникающая при обработке дуба или бука) считаются канцерогенными, особенно в комбинации с дополнительными материалами, используемыми для обработки древесины (соль хромовой кислоты, средства защиты древесины). Обработка материалов с содержанием асбеста должна выполняться

только специалистами. По возможности используйте подходящий пылеотсасывающий аппарат. Для оптимального удаления пыли используйте этот электроинструмент в комбинации с подходящим переносным пылесосом, рекомендованным Hilti для уборки древесных опилок и/или минеральной пыли. Обеспечьте хорошую вентиляцию рабочей зоны. Рекомендуется носить респиратор с фильтром класса P2. Соблюдайте действующие национальные предписания по обработке материалов.

5.3.2 Бережное обращение с электроинструментами и их правильная эксплуатация

- a) **Надежно фиксируйте заготовку.** Для фиксации заготовки используйте **струбцины или тиски**. Это надежнее, чем удерживать ее рукой, и при этом можно держать инструмент двумя руками.
- b) **Убедитесь, что инструменты имеют подходящие к патрону хвостовики и надежно фиксируются в патроне.**
- c) **Эксплуатация электроинструмента с большими и тяжелыми рабочими (сменными) инструментами допускается только на первой ступени.** В противном случае при выключении электроинструмента может получить повреждения или при тех или иных обстоятельствах может произойти разблокировка зажимного патрона.

ru

5.3.3 Бережное обращение с аккумуляторными инструментами и их правильное использование

- a) **Перед установкой аккумулятора убедитесь, что инструмент выключен.** Установка аккумулятора во включенный электроинструмент может привести к несчастным случаям.
- b) **Храните аккумуляторы вдали от источников огня и высокой температуры.** Существует опасность взрыва.
- c) **Запрещается разбирать, сдавливать, нагревать до температуры выше 80 °C или сжигать аккумуляторы.** В противном случае существует опасность возгорания, взрыва и ожога едкой жидкостью, находящейся внутри аккумулятора.
- d) **Не допускайте попадания влаги.** Это может привести к короткому замыканию и стать причиной ожогов или возникновения пожара.
- e) **Используйте только допущенные к эксплуатации с соответствующим инструментом аккумуляторы.** При использовании недопущенных к эксплуатации аккумуляторов или при использовании аккумуляторов не по назначению существует опасность возгорания и взрыва.
- f) **Соблюдайте специальные предписания по транспортировке, хранению и эксплуатации аккумуляторов Li-Ion.**

- g) При хранении и транспортировке инструмента вынимайте из него аккумулятор.
- h) Не допускайте короткого замыкания аккумулятора. Перед установкой аккумулятора убедитесь в том, что его контакты и контакты в инструменте чистые. В случае короткого замыкания контактов аккумулятора существует опасность возгорания, взрыва и ожога едкой жидкостью.
- i) Поврежденные аккумуляторы (например, аккумуляторы с царапинами, сломанными частями, погнутыми, вдавленными и/или вытянутыми контактами) заряжать и использовать повторно запрещается.
- j) Слишком сильный нагрев аккумулятора (такой, что до него невозможно дотронуться) указывает на его возможный дефект. Установите инструмент в пожаробезопасном месте на достаточном расстоянии от воспламеняющихся материалов, где вы сможете контролировать ситуацию. Дайте инструменту остыть. После того, как аккумулятор остынет, свяжитесь с сервисной службой Hilti.

5.3.4 Электрическая безопасность



Перед началом работы проверяйте рабочее место на наличие скрытой электропроводки, газовых и водопроводных труб, например, при помощи металлоискателя. Открытые металлические части инструмента могут стать проводниками электрического тока, если случайно задеть электропроводку. При этом возникает опасность поражения электрическим током.

5.3.5 Рабочее место

- a) Обеспечьте хорошее освещение рабочего места.
- b) Обеспечьте хорошую вентиляцию рабочей зоны. Плохо проветриваемая рабочая зона может стать причиной ухудшения самочувствия из-за высокой концентрации пыли.

5.3.6 Средства индивидуальной защиты



При работе с инструментом работающий и находящиеся в непосредственной близости лица должны надевать соответствующие защитные очки, защитный шлем, защитные наушники, защитные перчатки и легкий респиратор.

ru

6 Подготовка к работе



6.1 Бережное обращение с аккумуляторами

УКАЗАНИЕ

При низких температурах емкость аккумуляторов уменьшается. Работайте только с полностью заряженным аккумулятором. Это позволяет использовать его полную мощность. Своевременно заменяйте разрядившийся аккумулятор. Немедленно заряжайте аккумулятор для последующей замены.

По возможности храните аккумулятор в сухом и прохладном месте. Никогда не оставляйте аккумулятор на солнце, на отопительных приборах или за стеклом. По истечении срока службы аккумулятор следует утилизировать без ущерба для окружающей среды и здоровья человека.

6.2 Зарядка аккумулятора



ОПАСНО

Используйте только фирменные зарядные устройства Hilti, перечисленные в разделе "Принадлежности".

6.2.1 Первоначальная зарядка нового аккумулятора

Перед первым вводом в эксплуатацию полностью зарядите аккумуляторы.

6.2.2 Зарядка бывшего в использовании аккумуляторного блока

Перед тем как вставить аккумуляторный блок в подходящее зарядное устройство, убедитесь, что внешние поверхности блока чистые и сухие. Информацию о процессе зарядки см. в руководстве по эксплуатации зарядного устройства.

Литий-ионные аккумуляторные блоки даже в частично заряженном состоянии готовы к работе.

6.3 Установка аккумулятора

ОСТОРОЖНО

Перед установкой аккумулятора убедитесь, что инструмент выключен и заблокирован от включения (переключатель левого/правого вращения находится в среднем положении). Используйте только аккумуляторы Hilti, подходящие для Вашего инструмента.

ОСТОРОЖНО

Перед установкой аккумуляторного блока убедитесь в том, что его контакты и контакты в устройстве/инструменте чистые.

1. Вставьте аккумуляторный блок спереди в инструмент так, чтобы он зафиксировался с характерным щелчком.
2. **ОСТОРОЖНО** Выпадение аккумуляторного блока может представлять опасность для вас и/или других лиц.
Проверьте надежность крепления аккумулятора в инструменте.

6.4 Извлечение аккумулятора 2

1. Нажмите кнопку деблокировки.
2. Извлеките аккумуляторный блок из инструмента движением вперед.

6.5 Транспортировка и хранение аккумуляторов

Перед транспортировкой и хранением извлекайте аккумуляторный блок из инструмента. Убедитесь в отсутствии короткого замыкания у контактов аккумуляторного блока. Удалите из кейса, ящика для инструментов или переносного контейнера металлические детали, например болты, гвозди, скобы, биты, куски проволоки, металлическую стружку и т. п., или примите меры по защите аккумуляторных блоков от контакта с этими предметами.

При пересылке аккумуляторов (автомобильным, железнодорожным, воздушным или морским транспортом) соблюдайте действующие национальные и международные правила транспортировки.

6.6 Крепежный крючок

ОСТОРОЖНО

Перед началом работы убедитесь в том, что крепежный крючок надёжно закреплён.

С помощью крепежного крючка инструмент можно закрепить и носить на ремне. Дополнительное преимущество для левшей: крепежный крючок можно переставить на другую сторону инструмента.

1. Извлеките аккумулятор из инструмента.
2. Вставьте пластину с резьбой в предназначенную для нее направляющую.
3. Закрепите крепежный крючок с помощью двух винтов.

7 Эксплуатация



ОСТОРОЖНО

Во время работы инструмент может нагреваться. **Надевайте защитные перчатки.**

ОСТОРОЖНО

При сверлении и заворачивании инструмент может отклоняться вбок.

ОСТОРОЖНО

Для смены рабочих инструментов пользуйтесь защитными перчатками, так как инструмент при работе сильно нагревается.

7.1 Регулировка правого/левого вращения 4

УКАЗАНИЕ

С помощью переключателя левого/правого вращения вы можете реверсировать направление вращения патрона. Переключению при работающем электродвигателе препятствует блокировочный механизм. В среднем положении переключателя основной выключатель заблокирован. При установке переключателя левого/правого вращения в левое положение (по направлению хода рабочего инструмента) задается правое вращение. При установке переключателя левого/правого вращения в правое положение (по направлению хода рабочего инструмента) задается левое вращение.

7.2 Выбор диапазона частоты вращения 5

ru

ВНИМАНИЕ

Эксплуатация электроинструмента с большими и тяжелыми рабочими (сменными) инструментами допускается только на первой ступени. В противном случае при выключении электроинструмент может получить повреждения или при тех или иных обстоятельствах может произойти разблокировка зажимного патрона.

УКАЗАНИЕ

С помощью переключателя частоты вращения можно выбирать диапазон частоты вращения. Диапазоны частоты вращения для SF 2-A/SFD 2-A при полностью заряженном аккумуляторе: 1-я ступень: 0–400 об/мин, 2-я ступень: 0–1500 об/мин.

УКАЗАНИЕ

Переключатель частоты вращения можно приводить в действие только при выключенном двигателе.

7.3 Включение/выключение

Путем плавного нажатия на основной выключатель можно плавно увеличивать частоту вращения до максимума.

7.4 Смена рабочего инструмента

ОСТОРОЖНО

Для смены рабочих инструментов пользуйтесь защитными перчатками, т. к. инструменты при работе сильно нагреваются.

Проверьте хвостовик рабочего инструмента, он должен быть чистым. При необходимости очистите его.

7.4.1 Смена рабочих инструментов на SF 2-A

УКАЗАНИЕ

Инструмент оснащен быстрозажимным патроном для установки различных инструментов (например сверла, биты и держателя бит).

7.4.1.1 Установка рабочего инструмента

1. Установите переключатель левого/правого вращения в среднее положение или отсоедините аккумуляторный блок от инструмента.
2. Разблокируйте быстрозажимной патрон.
3. Вставьте рабочий инструмент в быстрозажимной патрон и плотно затяните его.
4. Проверьте надежность фиксации рабочего инструмента.

7.4.1.2 Извлечение рабочего инструмента

1. Установите переключатель левого/правого вращения в среднее положение или отсоедините аккумуляторный блок от инструмента.
2. Разблокируйте быстрозажимной патрон.
3. Выньте сверло из патрона.

7.4.2 Смена рабочих инструментов на SFD 2-A 6

УКАЗАНИЕ

Инструмент оснащен внутренним шестигранником $\frac{1}{4}$ " с фиксирующей втулкой для установки различных инструментов (например сверла, биты и держателя бит).

7.4.2.1 Установка рабочего инструмента

1. Установите переключатель левого/правого вращения в среднее положение или отсоедините аккумуляторный блок от инструмента.
2. Сдвиньте фиксирующую втулку на внутреннем шестиграннике вперед и удерживайте ее в этом положении.
3. Вставьте инструмент до упора во внутренний шестигранник и отпустите фиксирующую втулку.
4. Проверьте надежность фиксации рабочего инструмента.

7.4.2.2 Извлечение рабочего инструмента

1. Установите переключатель левого/правого вращения в среднее положение или отсоедините аккумуляторный блок от инструмента.
2. Сдвиньте фиксирующую втулку на внутреннем шестиграннике вперед и удерживайте ее в этом положении.

3. Извлеките инструмент из внутреннего шестигранника и отпустите фиксирующую втулку.

7.5 Сверление

ОСТОРОЖНО

Для фиксации детали используйте струбицы или тиски. Это надежнее, чем удерживать ее рукой, и при этом можно держать инструмент двумя руками.

1. Установите кольцо регулировки крутящего момента и установите режима сверления на символ «Сверление».
2. Переведите переключатель левого/правого вращения в правое положение.

ru

7.6 Заворачивание

1. Установите кольцо регулировки крутящего момента и установите режима сверления на «Крутящий момент».
2. Выберите нужное направление вращения с помощью переключателя левого/правого вращения.

7.7 Считывание показаний индикатора уровня заряда литий-ионного аккумуляторного блока

УКАЗАНИЕ

Во время работы вызов индикации уровня заряда невозможен.

УКАЗАНИЕ

При установке аккумуляторного блока в инструмент возможно кратковременное загорание светодиодов индикатора уровня заряда.

Литий-ионный аккумуляторный блок оснащен индикатором уровня заряда. Если инструмент не эксплуатируется, уровень заряда отображается при нажатии кнопки блокировки на аккумуляторном блоке посредством 4 светодиодов.

8 Уход и техническое обслуживание

ОСТОРОЖНО

Во избежание случайного включения инструмента перед очисткой снимите аккумулятор!

8.1 Уход за рабочими инструментами

Удаляйте скопившуюся грязь с рабочих инструментов и защищайте их от коррозии, протирая смазанной маслом протирочной тканью.

8.2 Уход за инструментом

ОСТОРОЖНО

Содержите инструмент, в особенности поверхности рукоятки, в чистом и сухом состоянии, без следов масла и смазки. Запрещается использовать чистящие средства, содержащие силикон.

Внешний корпус инструмента изготовлен из ударопрочной пластмассы. Накладка на корпусе изготовлена из эластомера.

При работе не закрывайте вентиляционные прорезы в крышке корпуса! Очищайте вентиляционную прорезь сухой щеткой. Следите за тем, чтобы внутрь корпуса инструмента не попадали посторонние предметы. Регулярно очищайте внешнюю поверхность инструмента влажной тканью. Запрещается использовать водяной распылитель, парогенератор или струю воды! После чистки такими средствами электробезопасность инструмента не обеспечивается.

ru

8.3 Уход за литий-ионными аккумуляторами

Не допускайте попадания влаги.

Перед первым вводом в эксплуатацию полностью зарядите аккумуляторы.

Для обеспечения максимально долгого срока службы аккумулятора своевременно заряжайте его при заметном снижении мощности.

УКАЗАНИЕ

При дальнейшей эксплуатации происходит автоматическое прерывание разрядки аккумулятора, благодаря чему удается избежать повреждения его элементов.

Заряжайте литий-ионные аккумуляторы с помощью допущенных к эксплуатации Hilti зарядных устройств.

УКАЗАНИЕ

- Проведение регенерации литий-ионных аккумуляторов, как в случае никель-кадмиевых и никель-металлогидридных аккумуляторов, не требуется.
- Прерывание процесса зарядки аккумулятора не влияет на срок его службы.
- Процесс зарядки может быть начат в любое время. Это не влияет на срок службы аккумулятора. В отличие от никель-кадмиевых и никель-металлогидридных аккумуляторов у литий-ионных аккумуляторов отсутствует эффект памяти.
- Аккумуляторы лучше всего хранить в полностью заряженном состоянии в сухом и прохладном месте. Хранение аккумуляторов при высокой температуре окружающей среды (например за

оконным стеклом) приводит к сокращению срока службы и повышению уровня саморазряда их элементов.

- Причинами того, что аккумулятор не заряжается полностью, являются его окисление или снижение емкости. Работа с таким аккумулятором еще возможна. Но его следует заменить на новый как можно быстрее.

8.4 Техническое обслуживание

ВНИМАНИЕ

Ремонт электрической части инструмента поручайте только специалисту-электрику.

Регулярно проверяйте узлы инструмента на отсутствие повреждений, а также исправность всех элементов управления и компонентов. Эксплуатация прибора с поврежденными деталями или неисправными элементами управления запрещается. Обратитесь в сервисную службу Hilti.

8.5 Контроль после работ по уходу и техническому обслуживанию

После ухода за инструментом и его технического обслуживания убедитесь, что все защитные приспособления установлены и исправно функционируют.

9 Поиск и устранение неисправностей

Неисправность	Возможная причина	Способ устранения
Инструмент не работает.	Аккумулятор не полностью вставлен в гнездо или разряжен.	Аккумулятор должен входить в гнездо со щелчком или требуется зарядка аккумулятора.
	Неисправность электрики.	Выньте аккумулятор из инструмента и обратитесь в сервисный центр Hilti.
Не включается/заблокирован основной выключатель.	Переключатель левого/правого вращения находится в среднем положении (для транспортировки).	Переведите переключатель левого/правого вращения в левое или правое положение.

Неисправность	Возможная причина	Способ устранения
Аккумулятор разряжается быстрее обычного.	Состояние аккумулятора далеко от оптимального.	Проведите диагностику в сервисном центре Hilti или замените аккумулятор.
Аккумулятор не фиксируется с характерным щелчком.	Загрязнены стыковые выступы аккумулятора.	Очистите стыковое выступы и снова попытайтесь вставить аккумулятор в гнездо. Если неисправность не устранена, обратитесь в сервисный центр Hilti.
Сильный нагрев инструмента или аккумулятора.	Неисправность электрики.	Немедленно выключите инструмент, выньте из него аккумулятор и обратитесь в сервисный центр Hilti.
	Инструмент перегружен (работа за пределами эксплуатационных характеристик).	Выбирайте инструмент для конкретной области применения.

ru

10 Утилизация

ОСТОРОЖНО

Нарушение правил утилизации оборудования может иметь следующие последствия: при сжигании деталей из пластмассы образуются токсичные газы, которые могут представлять угрозу для здоровья. Если батареи питания повреждены или подвержены воздействию высоких температур, они могут взорваться и стать причиной отравления, возгораний, химических ожогов или загрязнения окружающей среды. При нарушении правил утилизации оборудование может попасть в руки посторонних лиц, не знакомых с правилами обращения с ним. Это может стать причиной их собственного серьезного травмирования, травмирования других лиц, а также причиной загрязнения окружающей среды.

ОСТОРОЖНО

Немедленно утилизируйте неисправные аккумуляторы. Храните их в недоступном для детей месте. Не разбирайте и не сжигайте аккумуляторы.

ОСТОРОЖНО

Производите утилизацию аккумуляторов в соответствии с национальными предписаниями или сдавайте отслужившие аккумуляторы в Hilti.



Инструменты Hilti содержат большое количество материалов, пригодных для переработки. Перед утилизацией следует тщательно рассортировать материалы. Во многих странах компания Hilti уже заключила соглашения о приеме использованных инструментов для их утилизации. Дополнительную информацию по этому вопросу можно получить в отделе по обслуживанию клиентов или у технического консультанта компании Hilti.

ru



Только для стран ЕС

Не выбрасывайте электроинструменты вместе с обычным мусором!

В соответствии с директивой ЕС об утилизации старых электрических и электронных устройств и в соответствии с местными законами электроинструменты, бывшие в эксплуатации, должны утилизироваться отдельно безопасным для окружающей среды способом.

11 Гарантия производителя

С вопросами относительно гарантийных условий обращайтесь в ближайшее представительство HILTI.

12 Декларация соответствия нормам ЕС (оригинал)

Обозначение:	Аккумуляторная дрель-шуруповёрт
Тип инструмента:	SF 2-A/SFD 2-A
Поколение:	01
Год выпуска:	2013

Компания Hilti со всей ответственностью заявляет, что данная продукция соответствует следующим директивам и нормам: 2006/42/EC, 2004/108/EG, 2006/66/EC, 2011/65/EU, EN 60745-1, EN 60745-2-1, EN 60745-2-2, EN ISO 12100.



Paolo Luccini
Head of BA Quality and Process Management
Business Area Electric Tools & Accessories
03/2014



Tassilo Deinzer
Executive Vice President
Business Unit Power Tools & Accessories
03/2014

Техническая документация:

Hilti Entwicklungsgesellschaft mbH
Zulassung Elektrowerkzeuge
Hiltistrasse 6
86916 Kaufering
Deutschland

ru

ORİJİNAL KULLANIM KILAVUZU

SF 2-A/SFD 2-A Akülü

delme/vidalama makinesi

Çalıştırmadan önce kullanım kılavuzunu mutlaka okuyunuz.
Bu kullanım kılavuzunu daima aletle birlikte muhafaza ediniz.
Aleti, sadece kullanım kılavuzu ile birlikte başka kişilere veriniz.

İçindekiler

1	Genel bilgiler	161
2	Tanımlama	163
3	Aletler, aksesuarlar	164
4	Teknik veriler	165
5	Güvenlik uyarıları	166
6	Çalıştırma	172
7	Kullanım	174
8	Bakım ve onarım	177
9	Hata arama	178
10	İmha	179
11	Aletlerin üretici garantisi	180
12	AB Uygunluk açıklaması (Orijinal)	180

1 Sayıların her biri bir resmi işaret eder. Metin ile ilgili resimleri açılabilen sayfalarda bulabilirsiniz. Kılavuzu okurken bunu açık tutunuz.

Bu kullanım kılavuzunda akü paketine sahip SF 2-A veya SFD 2-A akülü vidalama makinesi »alet« olarak belirtilmiştir.

Alet parçaları, kullanım ve gösterge elemanları **1**

- 1 Anahtarsız mandren (SF 2-A)
- 2 Tork ve delme için ayar halkası
- 3 Vites seçim şalteri
- 4 Kilitleme kovanına sahip içten altıgen (SFD 2-A)
- 5 Sağa/Sola dönüş değiştirme şalteri
- 6 Tutamak

- ⑦ Lamba
- ⑧ Kemer kancası (opsiyonel)
- ⑨ Şarj durumu göstergesi
- ⑩ Kilit açma düğmesi
- ⑪ Kumanda şalteri (elektronik devir sayısı kumandalı)

1 Genel bilgiler

1.1 Uyarı metinleri ve anlamları

TEHLİKE

Ağır vücut yaralanmalarına veya doğrudan ölüme sebep olabilecek tehlikeler için.

İKAZ

Ağır vücut yaralanmalarına veya ölüme sebep olabilecek olası tehlikeli durumlar için.

DİKKAT

Hafif vücut yaralanmalarına veya maddi hasarlara yol açabilecek olası tehlikeli durumlar için.

UYARI

Kullanım uyarıları ve kullanım ile ilgili diğer gerekli bilgiler.

1.2 Piktogramların açıklaması ve diğer uyarılar

İkaz işaretleri



Genel tehlikelere
karşı uyarı



Tehlikeli elektrik
gerilimine karşı uyarı



Kötü maddelere
karşı uyarı

Uyulması gereken kurallar



Koruyucu gözlük kullanınız



Koruyucu kask kullanınız



Kulaklık kullanınız



Koruyucu eldiven kullanınız



Hafif toz maskesi kullanınız

tr Semboller



Kullanımdan önce kullanım kılavuzunuza okuyunuz



Volt



Doğru akım



Ölçüm boşta çalışma devir sayısı



Dakika başına devir



Darbesiz delme



Atıkların yeniden değerlendirilmesini sağlayınız

Tanımlama detaylarının alet üzerindeki yeri

Tip tanımı, alet ayağının altındaki tip plakasına ve gövdenin yan tarafındaki seri numarası alanına yerleştirilmiştir. Bu verileri kullanım kılavuzunuza aktarınız ve temsilcilik veya servislerimize olan sorularınızda her zaman bu verileri bulundurunuz.

Tip:

Jenerasyon: 01

Seri no:

2 Tanımlama

2.1 Usulüne uygun kullanım

SF 2-A ve SFD 2-A elle kontrol edilen, aküyle çalıştırılan, vidaların takılması ve sökülmesi için ve çelik, ahşap ve plastikte delik açmak için kullanılan vidalama makineleridir.

Sağlığa zarar verebilecek malzemeler (örn. asbest) üzerinde çalışma yapılmamalıdır.

Akü paketlerini enerji kaynağı olarak uygun olmayan başka aletlerle kullanmayınız.

Alette onarım veya değişikliklere izin verilmez.

Yaralanma tehlikelerini önlemek için sadece orijinal Hilti aksesuar ve aletlerini kullanınız.

Kullanım kılavuzundaki çalıştırma, bakım ve koruma bilgilerine uyunuz.

Alet profesyonel kullanıcılar için öngörülmüştür ve sadece yetkili personel tarafından kullanılabilir ve bakımı yapılabilir. Bu personel meydana gelebilecek tehlikeler hakkında özel olarak eğitim görmüş olmalıdır. Eğitim görmemiş personel tarafından uygunsuz işlem yapılır veya usulüne uygun kullanım olmazsa, alet ve aksesuarlarından kaynaklanan tehlikeli durumlar söz konusu olabilir.

Çalışılabilirlik sahaları: Şantiye, atölye, onarım, tadilat ve yeni yapılandırma-larda.

2.2 Alet bağlantı yeri

SF 2-A modeli için anahtarsız mandren ve SFD 2-A modeli için içten altıgen.

2.3 Şalter

Elektronik devir sayısı kumandası olan kumanda şalteri

Vites seçim şalteri

Çalıştırma kilidi olan sağa/sola dönüş değiştirme şalteri

Tork ve delme için ayar halkası

2.4 Tutamak

Vibrasyon sönümleyici tutamak

2.5 Takım çantasındaki teslimat kapsamına aşağıdakiler dahildir:

1 Alet

1 Kullanım kılavuzu

1 Hilti takım çantası

tr

2.6 Karton paketteki teslimat kapsamına aşağıdakiler dahildir:

- 1 Alet
- 1 Kullanım kılavuzu

2.7 Aletin çalıştırılması için ilave olarak gerekli olanlar:

C4/12-50 şarj cihazına sahip bir adet B 12/2.6 Li-Ion akü paketi.

2.8 Lityum iyon akü paketlerinin şarj durumu göstergesi

LED sürekli yanıyor	LED yanıp sönüyor	Şarj durumu C
LED 1, 2, 3, 4	-	$C \geq \%75$
LED 1, 2, 3	-	$\%50 \leq C < \%75$
LED 1, 2	-	$\%25 \leq C < \%50$
LED 1	-	$\%10 \leq C < \%25$
-	LED 1	$C < \%10$

2.9 Aşırı zorlama ve aşırı ısınma emniyeti

Alet, elektronik bir aşırı zorlanma ve aşırı ısınma emniyetine sahiptir. Aşırı yüklenme ve aşırı ısınma halinde alet otomatik olarak kapanır. Kumanda şalteri serbest bırakılıp tekrar basıldığında aletin çalışmasında gecikmeler (aletin soğuma kademeleri) olabilir.

UYARI

Aşırı yük veya aşırı ısınma, akü paketindeki LED'lerde gösterilmez.

3 Aletler, aksesuarlar

Tanım	Kısa işaret
Li-Ion akü paketleri için şarj cihazı	C 4/12-50
Akü paketi	B 12/2.6 Li-Ion
Kemer kancası (opsiyonel)	

Tanım	Tanımlama
Anahtarsız mandren için germe alanı	$\varnothing 0,8... 10 \text{ mm}$
Ahşapta (yumuşak) delme çapı	$\varnothing 0,8... 14 \text{ mm}$

Tanım	Tanımlama
Ahşapta (sert) delme çapı	∅ 0,8... 10 mm
Metalde delme çapı	∅ 0,8... 6 mm
Ahşap vidası (maks. uzunluk 80 mm)	∅ 3...6 mm

4 Teknik veriler

Teknik değişiklik hakkı saklıdır!

Alet	SF 2-A	SFD 2-A
Çalışma gerilimi (doğru gerilim)	10,8 V	10,8 V
EPTA-Prosedürü 01/2003'e göre ağırlık	1,1 kg	1,0 kg
Devir sayısı 1. vites (B 12/2.6 ile)	0... 400/min	0... 400/min
Devir sayısı 2. vites (B 12/2.6 ile)	0... 1.500/min	0... 1.500/min
Tork (hafif vidalama durumu) ayarı delme sembolü	Maks. 12 Nm	Maks. 12 Nm
Tork ayarı (15 kademe)	0,5...3,5 Nm	0,5...3,5 Nm

UYARI

Bu talimatlarda belirtilen titreşim seviyesi, EN 60745'e uygun olarak normlandırılmış bir ölçüm metodu ile ölçülmüştür ve elektrikli el aletlerinin birbirleri ile karşılaştırılması için kullanılabilir. Titreşim zorlanmasının geçici değerlendirilmesine de uygundur. Belirtilen titreşim seviyesi, elektrikli el aletinin ana kullanımlarını temsil eder. Eğer elektrikli el aleti, sapma gösteren çalışma aletleri ile veya yetersiz bakım yapılarak çalıştırılırsa, titreşim seviyesi sapma gösterebilir. Bu, toplam çalışma süresi aralığı üzerinden titreşim zorlanmasını belirgin şekilde yükseltebilir. Doğru bir titreşim zorlanması değerlendirmesi için aletin kapatıldığı veya çalışır konumda olduğu ama aslında kullanımda olmadığı zamanlar da dikkate alınmalıdır. Bu, toplam çalışma süresi aralığı üzerinden titreşim zorlanmasını belirgin şekilde azaltabilir. Kullanıcının titreşimlerin etkisinden korunması için ek güvenlik önlemlerini belirleyiniz, örneğin: Elektrikli el aleti ve çalışma aletlerinin bakımı, ellerin sıcak tutulması, iş akışlarının organizasyonu.

Ses ve vibrasyon bilgileri (EN 60745'e göre ölçülmüş):

SF 2-A/SFD 2-A için standart A olarak değerlendirilen ses gücü seviyesi 75 dB (A)

SF 2-A/SFD 2-A için standart A olarak değerlendirilen çıkan ses basıncı seviyesi 64 dB (A)

Belirlenen ses seviyesi için emniyetsizlik 3 dB (A)

Üç eksenli vibrasyon değerleri (vibrasyon vektör toplamı) EN 60745-2-2'e göre ölçülmüş

SF 2-A/SFD 2-A için: Darbesiz vidalama, a_h 0,5 m/s²

Emniyetsizlik (K) 1,5 m/s²

Üç eksenli vibrasyon değerleri (vibrasyon vektör toplamı) EN 60745-2-1'e göre ölçülmüş

SF 2-A/SFD 2-A için: Metalde delme, $a_{h,D}$ 1,9 m/s²

Üç eksenli vibrasyon ölçümleri için emniyetsizlik (K) 1,5 m/s²

Akü paketi	B 12/2.6 Li-Ion
Çalışma gerilimi	10,8 V
Kapasite	2,6 Ah
Enerji içeriği	28,08 Ws
Ağırlık	0,24 kg
Sıcaklık denetimi	Evet
Akü elemanı çeşidi	Lityum iyon
Akü elemanı bloğu	3 Adet

5 Güvenlik uyarıları

UYARI

5.1 bölümündeki güvenlik uyarıları kullanım kılavuzunda belirtilen normlara uygun elektrikli el aletlerine yönelik güvenlik uyarılarını içermektedir. Buna göre bu alet ile ilişkili olmayan bilgiler de mevcut olabilir.

5.1 Elektrikli el aletleri için genel güvenlik uyarıları

a) İKAZ

Tüm güvenlik uyarılarını ve talimatlarını okuyunuz. Güvenlik uyarılarına ve talimatlarına uyulmadığı takdirde ihmal elektrikli çarpması, yanma ve/veya ağır yaralanmalara sebebiyet verebilir. **Tüm güvenlik uyarılarını ve kullanım talimatlarını muhafaza ediniz.** Güvenlik uyarılarında kullanılan "elektrikli el aleti" terimi, şebeke işletimli elektrikli el aletleri (şebeke kablosu ile) ve akü işletimli elektrikli el aletleri (şebeke kablosu olmadan) ile ilgilidir.

5.1.1 İş yeri güvenliği

- Çalışma alanınızı temiz ve aydınlık tutunuz.**Düzensiz veya aydınlatmasız çalışma alanları kazalara yol açabilir.
- Yanıcı sıvıların, gazların veya tozların bulunduğu patlama tehlikesi olan yerlerde elektrikli el aleti ile çalışmayınız.**Elektrikli el aletleri, toz veya buharı yakabilecek kıvılcım oluşturur.
- Elektrikli el aletini kullanırken çocukları ve diğer kişileri uzak tutunuz.**Dikkatiniz dağılırsa aletin kontrolünü kaybedebilirsiniz.

5.1.2 Elektrik güvenliği

- Elektrikli el aletinin bağlantı fişi prize uygun olmalıdır. Fiş hiçbir şekilde değiştirilmemelidir. Adaptör fişini topraklama korumalı elektrikli el aletleri ile birlikte kullanmayınız.**Değiştirilmemiş fişler ve uygun prizler elektrik çarpması riskini azaltır.
- Borular, radyatörler, fırınlar ve buzdolapları gibi toprağa temas eden üst yüzeylere vücudunuzla temas etmekten kaçınınız.**Vücudunuzun toprakla teması var ise yüksek elektrik çarpması riski oluşur.
- Elektrikli el aletini yağmurdan veya ıslaklıktan uzak tutunuz.**Elektrikli el aletine su girmesi, elektrik çarpması riskini artırır.
- Elektrikli el aletini taşımak, asmak veya fişi şalterden çekmek için kabloyu kullanım amacı dışında kullanmayınız. Kabloyu sıcağın, yağdan, keskin kenarlardan ve hareketli alet parçalarından uzak tutunuz.**Hasarlı veya karışmış kablolar elektrik çarpması riskini artırır.
- Elektrikli bir el aleti ile açık alanda çalışacaksanız sadece dışarıda kullanımına da izin verilen uzatma kabloları kullanınız.**Dış mekanlar için uygun olan uzatma kablolarının kullanımı elektrik çarpması riskini azaltır.
- Elektrikli el aleti işletiminin nemli ortamda yapılması kaçınılmaz ise bir hatalı akım koruma şalteri kullanınız.** Bir hatalı akım koruma şalterinin kullanımı elektrik çarpması riskini azaltır.

5.1.3 Kişilerin güvenliği

- a) **Dikkatli olunuz, ne yaptığınıza dikkat ediniz ve el aleti ile mantıklı bir şekilde çalışınız. Yorgunsanız veya uyuşturucu, alkol veya ilaçların etkisi altındaysanız elektrikli el aleti kullanmayınız.** Elektrikli el aletinin kullanımı esnasında bir anlık dikkatsizlik ciddi yaralanmalara yol açabilir.
- b) **Kişisel koruyucu donanım ve her zaman bir koruyucu gözlük takınız.** Elektrikli el aletinin çeşidi ve kullanımına göre toz maskesi, kaymayan güvenlik ayakkabısı, koruyucu kask veya kulaklık gibi kişisel koruma donanımı takmak yaralanma riskini azaltır.
- c) **İstem dışı çalışmayı önleyiniz. Güç kaynağına ve/veya aküyü bağlamadan, girişini yapmadan veya taşımadan önce elektrikli el aletinin kapalı olduğundan emin olunuz.** Elektrikli el aletini taşıırken parmağınız şalterde ise veya alet açık konumda akım beslemesine takılırsa, bu durum kazalara yol açabilir.
- d) **Elektrikli el aletini devreye almadan önce ayar aletlerini veya vidalama anahtarlarını çıkartınız.** Dönen bir cihaz parçasında bulunan bir alet veya anahtar yaralanmalara yol açabilir.
- e) **Aşırı bir vücut hareketinden sakınınız. Güvenli bir duruş sağlayınız ve her zaman dengeli tutunuz.** Böylece beklenmedik durumlarda elektrikli el aletini daha iyi kontrol edebilirsiniz.
- f) **Uygun kıyafetler giyiniz. Bol kıyafetler giymeyiniz veya takı takmayınız. Saçları, kıyafetleri ve eldivenleri hareket eden parçalardan uzak tutunuz.** Bol kıyafetler, takı veya uzun saçlar hareket eden parçalara takılabilir.
- g) **Toz emme ve tutma tertibatları monte edilebiliyorsa, bunların bağlı olduğundan ve doğru kullanıldığından emin olunuz.** Bu toz emme tertibatının kullanımı tozdan kaynaklanabilecek tehlikeleri azaltabilir.

5.1.4 Elektrikli el aletinin kullanımı ve çalıştırılması

- a) **Aleti çok fazla zorlamayınız. Çalışmanız için uygun olan elektrikli el aletini kullanınız.** Uygun elektrikli el aleti ile bildirilen hizmet alanında daha iyi ve güvenli çalışırsınız.
- b) **Şalteri bozuk olan elektrikli el aleti kullanmayınız.** Açılıp kapatılmayan bir elektrikli el aleti tehlikelidir ve tamir edilmesi gerekir.
- c) **Alet ayarlarını yapmadan, aksesuar parçalarını değiştirmeden veya aleti bir yere koymadan önce fişi prizden ve/veya aküyü aletten çıkartınız.** Bu önlem, elektrikli el aletinin istem dışı çalışmasını engeller.
- d) **Kullanılmayan elektrikli el aletlerini çocukların erişemeyeceği yerde muhafaza ediniz. Aleti iyi tanımayan veya bu talimatları okumamış kişilere aleti kullanırmayınız.** Elektrikli el aletleri bilgisiz kişiler tarafından kullanılırsa tehlikelidir.

- e) **Elektrikli el aletlerinin bakımını titizlikle yapınız. Hareketli parçaların kusursuz çalıştığı ve sıkışmadığı, parçaların kırılıp kırılmadığı veya hasar görüp görmediği, elektrikli el aleti fonksiyonlarının kısıtlanma durumlarını kontrol ediniz. Hasarlı parçaları aleti kullanmadan önce tamir ettiriniz.** Birçok kazanın nedeni bakımı kötü yapılan elektrikli el aletleridir.
- f) **Kesme aletlerini keskin ve temiz tutunuz.**Özenle bakımı yapılmış keskin bıçak kenarı olan kesme aletleri daha az sıkışır ve kullanımı daha rahattır.
- g) **Elektrikli el aletini, aksesuarları, kullanım aletleri vb. bu talimatlara göre kullanınız. Çalışma şartlarını ve yapılacak işi de ayrıca göz önünde bulundurunuz.**Elektrikli el aletlerinin öngörülen kullanımı dışında kullanılması tehlikeli durumlara yol açabilir.

5.1.5 Akülü el aletinin kullanımı ve çalıştırılması

- a) **Aküleri sadece üretici tarafından tavsiye edilen şarj cihazları ile şarj ediniz.**Belirli bir akü için uygun olan bir şarj cihazı, başka akülerle kullanılırsa yanma tehlikesi vardır.
- b) **Elektrikli el aletlerinde sadece bunun için öngörülen aküler kullanılmalıdır.**Başka akülerin kullanılması yaralanmalara ve yanma tehlikelerine yol açabilir.
- c) **Kullanılmayan aküleri, kontakların köprülenmesine sebep olabilecek ataçlar, madeni paralar, anahtarlar, çiviler, vidalar veya diğer küçük metal cisimlerden uzak tutunuz.**Akü kontakları arasındaki kısa devre yarınmalara veya alev oluşumuna sebep olabilir.
- d) **Yanlış kullanımda aküden sıvı çıkabilir. Bunlar ile teması önleyiniz. Tesadüfen temasta su ile durulayınız. Sıvı gözlere temas ederse ayrıca doktor yardımı isteyiniz.**Dışarı akan akü sıvısı cilt tahrişine ve yanmalarına yol açabilir.

5.1.6 Servis

- a) **Elektrikli el aletinizi sadece kalifiye uzman personele ve sadece orijinal yedek parçalar ile tamir ettiriniz.** Böylece elektrikli el aletinin güvenliğinin korunduğundan emin olunur.

5.2 Matkaplar için güvenlik uyarıları

- a) **Darbeli delme işlemi yaparken kulaklık takınız.** Aşırı sestten dolayı duyma kaybı meydana gelebilir.
- b) **Cihazla birlikte verilen ek tutamakları kullanınız.** Kontrol kaybı yaralanmalara yol açabilir.
- c) **Ek aletin gizli elektrik kablolarına temas edebileceği yerlerde çalışıyorsanız aleti izole edilmiş tutamak yüzeyinden tutunuz.** Elektrik

iletken bir hat ile temasta metal parçalar da gerilim altında kalır ve elektrik çarpmasına neden olabilir.

5.3 Ek güvenlik uyarıları

5.3.1 Kişilerin güvenliği

- a) **Vidanın gizli elektrik kablolarına temas edebileceği yerlerde çalışıyorsanız aleti izolasyonlu tutamak yüzeyinden tutunuz.** Elektrik ileten bir hat ile temasta metal vida parçalar da gerilim altında kalır ve elektrik çarpmasına neden olabilir.
- b) **Aleti, her zaman iki elinizle öngörülen tutamaklardan sıkıca tutunuz. Tutamakları kuru, temiz ve yağsız ve gressiz tutunuz.**
- c) **Parmaklarınızda daha iyi kan dolaşımı için çalışma molaları veriniz ve gevşetme ve parmak egzersizleri yapınız.**
- d) **Dönen parçalara temas etmekten kaçınınız. Aleti çalışma alanında çalıştırmaya başlayınız.** Dönen parçalara, özellikle dönen aletlere temas etme yaralanmalara yol açabilir.
- e) **Aleti yerleştirirken ve taşırken devreye alma kilidini aktif hale getiriniz (sağ/sol değiştirme şalteri orta konumda).**
- f) **Denetimsiz şekilde, çocuklar veya yeterli güce sahip olmayan kişiler tarafından kullanılması yasaktır.**
- g) **Çocuklara alet ile oynamalarının yasak olduğu öğretilmelidir.**
- h) Kurşun içerikli badana, bazı ahşap türleri, mineraller ve metal gibi malzemelerin tozları sağlığa zararlı olabilir. Tozlara dokunulması veya solunması, kullanıcıda veya yakınında bulunan kişilerde alerjik reaksiyonlara ve/veya solunum yolu hastalıklarına yol açabilir. Kayın veya meşe ağacı gibi belli tür tozlar özellikle ahşap işlemede ek maddelerle (kromat, ahşap koruyucu malzemeler) bağlantılı çalışıldığında kanser yapıcı olarak kabul edilir. Asbest içerikli malzemeler sadece uzman kişiler tarafından işlenmelidir. **Mümkünse bir toz emme tertibatı kullanılmalıdır. Toz emme tertibatının yüksek kademesine ulaşılması sırasında bu elektrikli el aletinde belirlenmiş olan ahşap ve/veya mineral tozu için Hilti tarafından tavsiye edilen uygun bir mobil toz giderici kullanınız. Çalışma yerinin iyi havalandırılmasını sağlayınız. P2 filtre sınıflı bir solunum yolu koruma maskesi takılması tavsiye edilir. İşlenecek malzemeler için ülkenizde geçerli olan talimatlara dikkat ediniz.**

5.3.2 Elektrikli el aletlerini özenli kullanımı

- a) **Aleti emniyete alınız. Aleti sabit tutmak için germe tertibatı veya bir mengene kullanınız.** Böylece alet el ile tutmaktan daha güvenli durur ve ayrıca her iki eliniz de aleti kullanmak için boşta kalır.
- b) **Aletlerin yuva sistemine uygun bir şekilde takıldığından ve yerine oturduğundan emin olunuz.**

- c) **Büyük, ağır ek aletler sadece birinci viteste işletilebilir.** Aksi takdirde aletin kapatılması sırasında hasar görme veya uygun olmayan koşullar altında matkap kovanının çözülme tehlikesi söz konusudur.

5.3.3 Akü cihazlarını özenli kullanımı

- a) **Aküyü takmadan önce aletin kapalı konumda olduğundan emin olunuz.** Açık durumda olan elektrikli bir el aletine akü takılması kazalara yol açabilir.
- b) **Akü paketlerini yüksek sıcaklıktan ve ateşten uzak tutunuz.** Patlama tehlikesi vardır.
- c) **Akü paketleri sökülmemeli, ezilmemeli, 80°C üzerinde ısıtılmamalı veya yakılmamalıdır.** Aksi takdirde yangın, patlama ve zehirlenme tehlikesi oluşur.
- d) **Nem almasını önleyiniz.** Nem girişi kısa devreye neden olabilir ve yanma veya yangınla sonuçlanabilir.
- e) **Sadece ilgili alete uygun olan akü paketlerini kullanınız.** Başka akü paketlerinin veya başka amaçlar için akü paketlerinin kullanımında yangın ve patlama tehlikesi vardır.
- f) **Taşıma, depolama ve Li-Ion akü paketlerinin işletimi için özel talimatları dikkate alınız.**
- g) **Aleti depolarken ve taşırken akü paketini çıkartınız.**
- h) **Akü paketinin kısa devre yapmasını engelleyiniz. Akü paketini kullanmadan önce alette, akü paketlerindeki kontakların yabancı cisimlerden uzak olduğunu kontrol ediniz.** Akü paketlerinin kontaktlarında kısa devre durumunda, yangın, patlama ve zehirlenme tehlikesi oluşur.
- i) **Hasarlı akü paketleri (örneğin çatlak, kırılmış, parçalı, bükülmüş, kontakları içeri girmiş ve/veya dışarı çekilmiş akü paketleri) şarj edilmeye ve kullanılmaya devam edilmemelidir.**
- j) Akü paketi tutmak için çok sıcaksa, arızalı olabilir. **Aleti yanıcı malzemelerden yeterli bir uzaklıkta, gözlemleyebileceğiniz yanmaz bir zemin üzerine koyunuz ve soğuması için bırakınız. Akü paketi soğuduktan sonra Hilti servisi ile temas kurunuz.**

5.3.4 Elektrik güvenliği



Çalışmaya başlamadan önce çalışma alanında üzerleri kaplanmış olan elektrik hatları, gaz ve su borularını örn. bir metal dedektörü ile kontrol ediniz. Eğer örn. bir akım hattına yanlışlıkla zarar verdiyseniz, dışarıda duran

aletteki metal parçaları akım iletebilir. Bu durum elektrik çarpmasından dolayı ciddi bir tehlike oluşturur.

5.3.5 Çalışma yeri

- Çalışma alanının iyi aydınlatılmasını sağlayınız.**
- Çalışma yerinin iyi havalandırılmasını sağlayınız.** Kötü havalandırılan çalışma yerleri, aşırı toz nedeniyle sağlığa zarar verebilir.

5.3.6 Kişisel koruyucu donanım



tr

Aletin kullanımı esnasında kullanıcı ve çevresinde bulunan kişiler uygun bir koruyucu gözlük, kulaklık, koruyucu eldiven ve hafif toz maskesi kullanmalıdır.

6 Çalıştırma



6.1 Akü paketlerinin dikkatli bir şekilde kullanılması

UYARI

Düşük sıcaklıklarda akü paketinin performansı azalır. Sadece tam dolu akü paketi ile çalışınız. Bu, akü paketinin ömrünü uzatır. Zamanında ikinci akü paketine geçiniz. Akü paketini bir sonraki değiştime için derhal şarj ediniz.

Akü paketini serin ve kuru yerde muhafaza ediniz. Akü paketini asla güneşe, ısıtıcıların üstüne veya camların arkasına koymayınız. Kullanım süresi dolduktan sonra akü paketlerini çevreye zarar vermeden ve güvenli bir şekilde imha ediniz.

6.2 Akü paketinin şarj edilmesi



TEHLİKE

Sadece "Aksesuar" bölümünde yazılı, ön görülen Hilti akü paketlerini ve Hilti şarj cihazlarını kullanınız.

6.2.1 Yeni bir akü paketinin ilk kez şarj edilmesi

İlk çalıştırmadan önce akü paketlerini tam olarak şarj ediniz.

6.2.2 Kullanılmış akü paketinin şarj edilmesi

Akü paketini ilgili şarj cihazına yerleştirmeden önce, akü paketinin dış yüzeyinin temiz ve kuru olduğundan emin olunuz.

Şarj işlemiyle ilgili bilgileri, şarj cihazının kullanım kılavuzunda bulabilirsiniz.

Lityum iyon akü paketleri kısmen şarj edilmiş durumda da kullanılabilir.

6.3 Akü paketlerinin takılması

DİKKAT

Akü paketlerini yerleştirmeden önce, aletin kapalı ve devreye alma kilidinin aktif olduğundan emin olunuz (sağa-/sola dönüş şalteri orta konumda). Sadece sizin aletiniz için izin verilen Hilti akü paketlerini kullanınız.

DİKKAT

Akü paketini alete yerleştirmeden önce akü paketi kontak noktalarında ve aletin kontak noktalarında yabancı cisim bulunmadığından emin olunuz.

1. Akü paketini, dayanakta klik sesini duyuncaya kadar alete önden itiniz.
2. **DİKKAT** Akü paketinin düşmesi, size veya etrafınızdakilere zarar verebilir. Akü paketinin alette emniyetli bir şekilde yerleşmesini kontrol ediniz.

6.4 Akü paketinin çıkartılması 2

1. Kilit açma düğmesine basınız.
2. Akü paketini öne doğru çekerek aletten çıkartınız.

6.5 Akü paketlerinin taşınması ve depolanması

Taşıma ve depolama sırasında akü paketini aletten çıkarınız. Akü paketinin kontaklarının kısa devre yapmamasına dikkat ediniz. Örneğin vidalar, çiviler, klipsler, gevşek vidalama uçları, teller veya metal talaşlar gibi gevşek metal

parçalarını takım çantasından, alet sandığından veya taşıma çantasından uzaklaştırınız veya bu parçaların akü paketleri ile temas etmesini engelleyiniz. Akü paketlerinin sevkiyatı sırasında (kara, demiryolu, deniz veya hava taşımacılığı) ulusal ve uluslararası geçerli taşıma talimatlarına dikkat ediniz.

6.6 Kemer kancası 3

DİKKAT

Çalışmaya başlamadan önce kemer halkasının emniyetli bir şekilde sabitlenip sabitlenmediğini kontrol ediniz.

Kemer kancası ile aleti vücuda bitişik şekilde kemerden sabitleyebilirsiniz. Ayrıca sol elini kullananlar için kemer kancası aletin diğer tarafına da takılabilir.

1. Akü paketini aletten çıkartınız.
2. Vidalama plakasını öngörülen kılavuza yerleştiriniz.
3. Kemer kancasını iki vida ile sabitleyiniz.

tr

7 Kullanım



DİKKAT

Cihaz kullanım sırasında ısınabilir. **Koruma eldiveni kullanınız.**

DİKKAT

Delme veya vidalama sırasında alet yana kayabilir.

DİKKAT

Alet değiştirirken, aletten kaynaklanabilecek yaralanmaları önlemek için koruma eldiveni kullanınız.

7.1 Sağa/Sola doğru çalışma ayarı 4

UYARI

Sağa/sola dönüş değiştirme şalteri ile alet ucunun dönüş yönünü seçebilirsiniz. Bir kilit, motor çalışırken değiştirmeyi engeller. Kumanda şalterinin orta konumu bloke olmuş. Sağa/sola dönüş seçme düğmesini sola doğru (aletin etki yönünü referans alarak) bastırınız, böylece sağa doğru çalışma ayarlanır. Sağa/sola dönüş seçme düğmesini sağa doğru (aletin etki yönünü referans alarak) bastırınız, böylece sola doğru çalışma ayarlanır.

7.2 Devir sayısı aralığının seçilmesi 5

İKAZ

Büyük, ağır ek aletler sadece birinci vitede işletilebilir. Aksi takdirde aletin kapatılması sırasında hasar görme veya uygun olmayan koşullar altında matkap kovanının çözülme tehlikesi söz konusudur.

UYARI

Vites seçim şalteri ile devir sayısı aralığı seçilebilir. Tam şarj edilmiş akü paketi ile SF 2-A/SFD 2-A için devir sayısı aralıkları: 1. vites: 0-400 d/dak, 2. vites: 0-1500 d/dak.

UYARI

Vites seçim şalteri sadece motor duruyorken seçilebilir.

7.3 Açma/Kapama şalteri

Kumanda şalterine hafifçe bastırarak maksimum devir sayısına kadar kademeli olarak seçim yapabilirsiniz.

7.4 Alet değiştirme

DİKKAT

Alet kullanımında ısındığı için aleti değiştirmek için koruma eldiveni takınız.

Aletin giriş ucunun temiz olup olmadığını kontrol ediniz. Gerekirse giriş ucunu temizleyiniz.

7.4.1 SF 2-A'da alet değişimi

UYARI

Alet, farklı aletlerin takılabilmesi için (örneğin delici, uç ve uç tutucu) bir anahtarsız mandren ile donatılmıştır.

7.4.1.1 Aletin takılması

1. Sağa/sola dönüş değiştirme şalterini orta konuma getiriniz veya akü paketini aletten ayırınız.
2. Anahtarsız uç takma mandrenini açınız.
3. Cihazı uç girişine yerleştiriniz, anahtarsız mandreni çeviriniz.
4. Aletin güvenli durma durumunu kontrol ediniz.

7.4.1.2 Aletin çıkartılması

1. Sağa/sola dönüş değiştirme şalterini orta konuma getiriniz veya akü paketini aletten ayırınız.
2. Anahtarsız uç takma mandrenini açınız.

3. Aleti uç girişinden çekiniz.

7.4.2 SFD 2-A'da alet değişimi 6

UYARI

Alet, kilitleme kovanına sahip 1/4" içten altıgen ile farklı aletlere (örneğin delici, uç ve uç tutucu) takılabilecek biçimde donatılmıştır.

7.4.2.1 Aletin takılması

1. Sağa/sola dönüş değiştirme şalterini orta konuma getiriniz veya akü paketini aletten ayırınız.
2. İçten altıgendeki kilitleme kovanını öne doğru itiniz ve bu pozisyonda sabit tutunuz.
3. Aleti dayanak noktasına kadar içten altıgenin içine itiniz ve kilitleme kovanını serbest bırakınız.
4. Aletin güvenli durma durumunu kontrol ediniz.

7.4.2.2 Aletin çıkartılması

1. Sağa/sola dönüş değiştirme şalterini orta konuma getiriniz veya akü paketini aletten ayırınız.
2. İçten altıgendeki kilitleme kovanını öne doğru itiniz ve bu pozisyonda sabit tutunuz.
3. Aleti içten altıgenden çekiniz ve kilitleme kovanını serbest bırakınız.

7.5 Delme

DİKKAT

Aleti sabit tutmak için germe tertibatı veya bir mengene kullanınız. Böylece alet, el ile tutmaktan daha güvenli durur ve ayrıca her iki eliniz de aleti kullanmak için boşta kalır.

1. Ayar halkasını tork ve delme için delme sembolüne çeviriniz.
2. Sağa/sola dönüş değiştirme şalterini sağa doğru çalışma konumuna getiriniz.

7.6 Vidalama

1. Ayar halkasını tork ve delme için istenen torka ayarlayınız.
2. Sağa/sola dönüş değiştirme şalterinde istenilen dönüş yönünü seçiniz.

7.7 Lityum iyon akü paketinde şarj durumu göstergesinin okunması 7

UYARI

Çalışma esnasında şarj durumunun kontrol edilmesi mümkün değildir.

UYARI

Akü paketinin yerleştirilmesi sırasında şarj durumu göstergesindeki LED'ler kısa süre yanabilir.

Lityum iyon akü paketi bir şarj durumu göstergesine sahiptir. Alet çalışmadığı zaman akü paketi üzerindeki kilitleme tuşuna basıldığında şarj durumu dört LED yardımıyla gösterilir.

8 Bakım ve onarım

DİKKAT

Temizleme işine başlamadan önce, aletin istem dışı çalışmasını engellemek için akü paketini çıkartınız!

8.1 Aletlerin koruyucu bakımı

Yapışmış kirleri çıkartınız ve aletlerinizin üst yüzeyini arada bir yapılacak çalışmalardan dolayı oluşabilecek korozyona karşı yağlı bir bez ile silerek koruyunuz.

8.2 Aletin koruyucu bakımı

DİKKAT

Aletin özellikle tutamak yüzeylerini kuru ve temiz tutunuz ve bu yüzeylerde yağ ve yakıt kalıntıları olmamasına dikkat ediniz. Silikon içerikli bakım malzemesi kullanmayınız.

Aletin dış gövde kaplaması darbeye dayanıklı bir plastikten üretilmiştir. Tutamak kısmı esnek plastiktendir.

Aleti hiçbir zaman havalandırma delikleri tıkalı iken çalıştırmayınız! Havalandırma deliklerini kuru bir fırça ile dikkatlice temizleyiniz. Yabancı cisimlerin alet içine girmesine engel olunuz. Aletin dış yüzeyini düzenli olarak hafif nemli bir bez ile temizleyiniz. Temizlik için püskürtme aleti, buharlı alet veya su kullanmayınız! Alet elektrik güvenliği bu yüzden tehlikeye maruz kalabilir.

8.3 Lityum iyon akü paketlerinin koruyucu bakımı

Nem almasını önleyiniz.

İlk çalıştırmadan önce akü paketlerini tam olarak şarj ediniz.

Akü paketlerinde maksimum kullanım ömrüne erişmek için, akü gücü belirgin bir şekilde azaldığı zaman deşarjı sonlandırınız.

UYARI

Alet çalışmaya devam ederken akü elemanları hasar görmeden deşarj otomatik olarak sonlanır.

Akü paketlerini Li-Ion akü paketleri için izin verilen Hilti şarj cihazlarını şarj ediniz.

UYARI

- Akü paketlerine şarj takviyesi NiCd veya NiMH akü paketlerindeki gibi gerekli değildir.
- Şarj işlemine ara verilmesi akü paketlerinin kullanım ömrünü azaltmaz.
- Şarj etme işlemi, kullanım ömrüne zarar vermeden her zaman başlatılabilir. NiCd veya NiMH akü paketlerindeki gibi bir hafıza etkisi (memory effect) yoktur.
- Akü paketleri için en iyisi, tam dolu olarak, serin ve kuru bir yerde muhafaza edilmeleridir. Akü paketlerinin yüksek çevre sıcaklığında (camın arkasında) muhafaza edilmesi uygun değildir, akü paketlerinin kullanım ömrünü kısaltır ve akü elemanlarının kendiliğindendeşarj olma oranı artar.
- Akü paketi artık tam olarak dolmuyorsa, eskidiğinden veya gereğinden fazla çalıştırıldığından kapasitesi azalmıştır. Bu akü paketiyle çalışma yapmak mümkün değildir. En kısa zamanda bu akü paketini yenisiyle değiştirmelisiniz.

tr

8.4 Bakım

İKAZ

Elektrik parçalarındaki onarımlar sadece elektronik uzmanı tarafından yapılabilir.

Dışarıda duran bütün alet parçalarının hasarlanma durumlarını ve bütün kullanım elemanlarının kusursuz çalıştığını düzenli olarak kontrol ediniz. Parçalar hasarlanmış ise veya kullanım elemanları kusursuz çalışmıyorsa aleti kullanmayınız. Aleti Hilti Servisi'ne tamir ettiriniz.

8.5 Bakım ve koruma çalışmalarının kontrolü

Bakım ve koruma çalışmalarından sonra tüm koruma tertibatlarının yerinde olup olmadığı ve hatasız çalışması kontrol edilmelidir.

9 Hata arama

Hata	Olası sebepler	Çözüm
Alet çalışmıyor.	Akü paketi komple yerleştirilmemiş veya akü paketi boş.	Akü paketi duyulabilen bir klik ile yerine oturmalıdır ve akü paketi şarj edilmelidir.
	Elektrik arızası.	Akü paketini aletten çıkartınız ve Hilti Servisi'ne gidiniz.

Hata	Olası sebepler	Çözüm
Açma/kapama şalterine basılamıyor veya bloke olmuş.	Sağa/sola dönüş değiştirme şalteri orta konumda (taşımaya konumu).	Sağa/sola dönüş değiştirme şalterini sola veya sağa doğru bastırınız.
Akü paketi normalden daha çabuk boşalıyor.	Akü paketi durumu çok uygun değil.	Hilti Servisi ve akü paketindeki diyagnozları yenileyiniz.
Akü paketi duyulabilir bir klik sesi ile yerine oturmuyor.	Akü paketindeki kilit dili kirli.	Kilit dilini temizleyiniz ve akü paketini yerine yerleştiriniz. Problem devam ederse Hilti Servisi'ne gidiniz.
Alette veya akü paketinde ısı artışı.	Elektrik arızası.	Aleti derhal kapatınız, akü paketini aletten çıkartınız ve Hilti Servisi'ne gidiniz.
	Alet aşırı zorlanmış (kullanım sınırı aşılmış).	Kullanıma uygun alet seçimi.

tr

10 İmha

DİKKAT

Donanımın uygunsuz olarak imha edilmesi aşağıdaki olaylara sebebiyet verebilir: Plastik parçaların yanması esnasında, kişilerin hastalanmasına sebep olabilecek zehirli gazlar oluşur. Piller hasar görür veya çok ısırırsa patlayabilir ve zehirlenmelere, yanmalara, cilt tahrişlerine veya çevre kirliliğine neden olabilir. Usulüne uygun olmayan şekilde imha etmeniz halinde donanımın yetkisiz kişilerce hatalı kullanılmasına yol açarsınız. Ayrıca kendiniz ve üçüncü şahıslar ağır yaralanabilir ve çevre kirlenebilir.

DİKKAT

Arızalı akü paketlerinin hiç vakit kaybetmeden imha edilmesini sağlayınız. Bunları çocuklardan uzak tutunuz. Akü paketlerini parçalara ayırmayınız ve yakmayınız.

DİKKAT

Akü paketlerini ulusal yönetmeliklere göre imha ediniz veya kullanılmış akü paketlerini Hilti'ye iade ediniz.



Hilti aletleri yüksek oranda tekrar kullanılabilen malzemelerden üretilmiştir. Tekrar kullanım için ön koşul usulüne uygun malzeme ayrımıdır. Birçok ülkede Hilti eski aletinizi değerlendirmek için geri almaya hazırdır. Hilti müşteri hizmetleri veya satıcınıza sorunuz.



Sadece AB ülkeleri için

Elektrikli el aletlerini çöpe atmayınız!

Avrupa yönetmeliğine göre elektrikli ve elektronik eski aletler ve yürürlükte olan ulusal talimatlara göre kullanılmış elektrikli el aletleri ayrı olarak toplanmalı ve çevreye zarar vermeden yeniden değerlendirilmesi sağlanmalıdır.

tr

11 Aletlerin üretici garantisi

Garanti koşullarına ilişkin sorularınız için lütfen yerel HILTI iş ortağınıza başvurunuz.

12 AB Uygunluk açıklaması (Orijinal)

İşaret:	Akülü delme/vidalama makinesi
Tip işareti:	SF 2-A/SFD 2-A
Jenerasyon:	01
Yapım yılı:	2013

Bu ürünün aşağıdaki yönetmeliklere ve normlara uygun olduğunu kendi sorumluluğumuzda açıklıyoruz: 2006/42/EG, 2004/108/EG, 2006/66/EG, 2011/65/EU, EN 60745-1, EN 60745-2-1, EN 60745-2-2, EN ISO 12100.



Paolo Luccini
Head of BA Quality and Process Management
Business Area Electric Tools & Accessories
03/2014



Tassilo Deinzer
Executive Vice President
Business Unit Power Tools & Accessories
03/2014

Teknik dokümantasyon:

Hilti Entwicklungsgesellschaft mbH
Zulassung Elektrowerkzeuge
Hiltistrasse 6
86916 Kaufering
Deutschland

tr

دليل الاستعمال الأصلي

المفك الآلي الثقاب العامل

بالبطارية SF 2-A/SFD 2-A

يلزم قراءة دليل الاستعمال باستفاضة قبل التشغيل.
احتفظ بهذا الدليل مع الجهاز دائما.
لا تقم بإعارة الجهاز لأخرين إلا مع إرفاق دليل الاستعمال به.

فهرس المحتويات

183	إرشادات عامة	1
185	الشرح	2
186	الأدوات، الملحقات التكميلية	3
187	المواصفات الفنية	4
189	إرشادات السلامة	5
195	التشغيل	6
197	الاستعمال	7
200	العناية والصيانة	8
202	تقصي الأخطاء	9
202	التكبين	10
203	ضمان الجهة الصانعة للأجهزة	11
204	شهادة المطابقة للمواصفات الأوروبية (الأصلية)	12

يشير كل عدد من الأعداد لصورة. وتجد الصور الخاصة بالنص على صفحات الغلاف المطوية. احتفظ بها مفتوحة عند مطالعة الدليل.
في هذا الدليل يقصد دائما بكلمة «الجهاز» المفك الآلي الثقاب المشغل بالبطارية SF 2-A أو SFD 2-A مع بطارية مركبة فيه.

مكونات الجهاز، عناصر الاستعمال والبيان

① ملقمة الشد السريع للثقب (SF 2-A)

② حلقة ضبط عزم الدوران والثقب

③ مفتاح اختيار السرعة

④ الرأس السداسي المجوف مع جلبية التثبيت (SFD 2-A)

⑤ مفتاح تحويل الدوران جهة اليمين/اليسار

⑥ المقبض

⑦ لمبة

⑧ خطاف الحزام (تجهيز اختياري)

⑨ مبین حالة الشحن

⑩ زر التحرير

⑪ مفتاح تحكم (مزود بنظام تحكم إلكتروني في عدد اللفات)

1 إرشادات عامة

1.1 كلمات دليلية ومدلولاتها

خطر

تشير لخطر مباشر يؤدي لإصابات جسدية خطيرة أو إلى الوفاة.

تحذير

تشير لموقف خطر محتمل يمكن أن يؤدي لإصابات جسدية خطيرة أو إلى الوفاة.

احترس

تشير لموقف خطر محتمل يمكن أن يؤدي لإصابات جسدية خفيفة أو أضرار مادية.

ملحوظة

تشير لإرشادات للاستخدام ولمعلومات أخرى مفيدة.

2.1 شرح الرموز التوضيحية وإرشادات أخرى

علامات التحذير



تحذير من مواد
كاوية



تحذير من جهد
كهربائي خطر



تحذير من خطر عام

علامات الإلزام



استخدم قفازا واقيا



استخدم واقيا للسمع



استخدم خوذة حماية



استخدم واقيا
للعينين



استخدم واقيا خفيفا
للتنفس

الرموز

n₀

عدد اللغات الاسمي
في الوضع المحايد



تيار مستمر

V

فلط



قبل الاستخدام اقرأ
دليل الاستعمال



اعمل على إعادة
تدوير المخلّفات



ثقب بدون طرق

/min

عدد اللغات في
الدقيقة

موضع تفاصيل بيانات التمييز بالجهاز

مسمى الطراز مثبت على لوحة الصنع على الجهة السفلية بقاعدة الجهاز، أما الرقم المسلسل فمثبت على الجهة الجانبية بجسم الجهاز. انقل هذه البيانات في دليل الاستعمال خاصتك وارجع إليها دائما عند الاستعلام لدى وكلائنا أو لدى مراكز الخدمة.

الطراز:

الجيل: 01

الرقم المسلسل:

1.2 الاستخدام المطابق للتعليمات

المفك الآلي SF 2-A و SFD 2-A عبارة عن مفك آلي ثقاب يستخدم باليد ومشغل بالبطارية لربط وحل البراغي وللثقب في الصلب والخشب والبلاستيك. يحظر التعامل مع المواد الخطيرة على الصحة (مثل الأسبستوس). لا يجوز استخدام البطاريات كمصدر طاقة لأجهزة أخرى غير مناسبة لذلك. لا يسمح بإجراء أية تدخلات أو تغييرات على الجهاز. اقتصر على استخدام الملحقات التكميلية والأدوات الأصلية من Hilti، وذلك لتقليل مخاطر الإصابة. يلزم اتباع المعلومات المتعلقة بالتشغيل والعناية والإصلاح الواردة في دليل الاستعمال.

الجهاز مخصص للمستخدم المحترف ولا يجوز استعمال وصيانة وإصلاح هذا الجهاز إلا على أيدي أشخاص معتمدين ومدربين. هؤلاء الأشخاص يجب أن يكونوا قد تلقوا تدريباً خاصاً على الأخطار الطارئة. يمكن أن تصدر عن الجهاز وملحقاته أخطار إذا تم التعامل معها بشكل غير سليم فنياً من قبل أشخاص غير مدربين أو لم يتم استخدامها بشكل مطابق للتعليمات. محيط العمل يمكن أن يكون: موقع بناء أو ورشة أو مواقع أعمال الترميم أو مواقع التعديلات الإنشائية أو الإنشاءات الحديثة.

ar

2.2 ظرف تركيب الأدوات

ملقمة ريش الثقب سريعة الربط للموديل SF 2-A والرأس السداسي المجوف للموديل SFD 2-A.

3.2 المفاتيح

مفتاح تحكم مزود بنظام تحكم إلكتروني في عدد اللفات
مفتاح اختيار السرعة
مفتاح تحويل الدوران جهة اليمين/اليسار مزود بمانع تشغيل
حلقة ضبط عزم الدوران والثقب

4.2 المقبض

مقبض مخمد للاهتزاز

5.2 تشتمل محتويات التسليم في الحقيبة على:

- 1 الجهاز
- 1 دليل الاستعمال
- 1 حقيبة Hilti

6.2 تشمل محتويات التسليم في العبوة الكارتون على:

- 1 الجهاز
- 1 دليل الاستعمال

7.2 لتشغيل الجهاز يلزم علاوة على ذلك توافر الآتي:

بطارية B 12/2.6 Li-Ion مع جهاز الشحن C4/12-50.

8.2 مابين حالة شحن بطارية أيونات الليثيوم

حالة الشحن C	لمبة LED تومض	لمبة LED تضيء بشكل مستمر
$C \geq 75\%$	-	لمبة LED 1، 2، 3، 4
$50\% \leq C < 75\%$	-	لمبة LED 1، 2، 3
$25\% \leq C < 50\%$	-	لمبة LED 1، 2
$10\% \leq C < 25\%$	-	لمبة LED 1
$C > 10\%$	لمبة LED 1	-

9.2 خاصة الحماية من التحميل الزائد والسخونة المفرطة

الجهاز مزود بوسيلة حماية إلكترونية من التحميل الزائد والسخونة المفرطة. في حالة التحميل الزائد والسخونة المفرطة يتوقف الجهاز أوتوماتيكيا. وعند ترك مفتاح التحكم والضغط عليه من جديد، فقد يتأخر التشغيل في بعض الأحيان (حتى يبرد الجهاز).

ملحوظة

لا تتم الإشارة إلى التحميل الزائد والسخونة المفرطة من خلال لمبات LED بالبطارية.

3 الأدوات، الملحقات التكميلية

العلامات المختصرة	المسمى
C 4/12-50	جهاز شحن بطارية أيونات الليثيوم
B 12/2.6 Li-Ion	البطارية
	خطاف الحزام (تجهيز اختياري)

المسمى	الشرح
نطاق شد ملقمة ريش ثقب سريعة الربط	∅ 10...0,8 مم
نطاق الثقب في الخشب (المرن)	∅ 14...0,8 مم
نطاق الثقب في الخشب (الصلب)	∅ 10...0,8 مم
نطاق الثقب في المعدن	∅ 6...0,8 مم
براغي الأخشاب (أقصى طول 80 مم)	∅ 6...3 مم

4 المواصفات الفنية

نحتفظ بحق إجراء تعديلات تقنية!

الجهاز	SF 2-A	SFD 2-A
الجهد الكهربائي الاسمي (الجهد الثابت)	10,8 فلت	10,8 فلت
الوزن طبقا لبروتوكول EPTA 01/2003	1,1 كجم	1,0 كجم
عدد لفات السرعة الأولى (مع بطارية B (12/2.6)	min/400...0	min/400...0
عدد لفات السرعة الثانية (مع بطارية B (12/2.6)	min/1500...0	min/1500...0
ضبط عزم الربط (حالة الربط المرن)، رمز الثقب	يحد أقصى 12 نيوتن متر	يحد أقصى 12 نيوتن متر
ضبط عزم الربط (15 مستوى)	3,5...0,5 نيوتن متر	3,5...0,5 نيوتن متر

ملحوظة

تم قياس مستوى الاهتزاز الوارد في هذا الدليل طبقا لأحد معايير القياس التابعة للمواصفة EN 60745 ويمكن الاستعانة به في إجراء مقارنة بين الأدوات الكهربائية مع بعضها البعض. وهو يصلح أيضا لتقدير حمل الاهتزاز بصورة مؤقتة. ومستوى الاهتزاز المذكور يخص الاستخدامات الرئيسية للأداة الكهربائية. أما إذا تم استخدام الأداة الكهربائية في تطبيقات أخرى مع أدوات عمل مخالفة للمواصفات مثلا أو دون صيانة كافية، ففي هذه الحالة قد يختلف مستوى الاهتزاز. وقد يزيد هذا من حمل الاهتزاز خلال مدة العمل بالكامل بصورة واضحة. ولتقدير حمل الاهتزاز تقديرا دقيقا ينبغي أيضا مراعاة الأوقات التي يتم فيها إيقاف الجهاز أو التي يكون فيها الجهاز مشغلا ولكن

دون استخدام حقيقي. ويمكن أن يقلل هذا من حمل الاهتزاز خلال مدة العمل بالكامل بصورة واضحة. احرص على اتخاذ إجراءات إضافية للسلامة من شأنها حماية المستخدم من تأثير الاهتزازات مثل: صيانة الأداة الكهربائية وأدوات العمل والحفاظ على الأيدي في حالة دافئة وتنظيم مراحل العمل.

معلومات الضجيج والاهتزاز (مقاسة طبقا للمواصفة EN 60745):

75 ديسيبل (A)	مستوى شدة الصوت الاعتيادي مصنف بالفئة A للجهاز SF 2-A/SFD 2-A
64 ديسيبل (A)	مستوى ضغط الصوت الاعتيادي المنبعث مصنف بالفئة A للجهاز SF 2-A/SFD 2-A
3 ديسيبل (A)	نسبة التفاوت بالنسبة لمستويات الصوت المذكورة

ar

مقاسة طبقا للمواصفة EN 60745-2-2	قيم الاهتزاز ثلاثية المحاور (محصلة متجهات الاهتزاز)
0,5 م/ثانية ²	للجهاز SF 2-A/SFD 2-A: الربط بدون طرق، a h
1,5 م/ثانية ²	نسبة التفاوت (K)

مقاسة طبقا للمواصفة EN 60745-2-1	قيم الاهتزاز ثلاثية المحاور (محصلة متجهات الاهتزاز)
1,9 م/ثانية ²	للجهاز SF 2-A/SFD 2-A: الثقب في المعدن، a h,D
1,5 م/ثانية ²	نسبة التفاوت (K) بالنسبة لقياسات الاهتزاز ثلاثية المحاور

البطارية	B 12/2.6 Li-Ion
الجهد الكهربائي الاسمي	10,8 فلت
السعة	2,6 أمبير ساعة
طاقة الإمداد	28,08 واط ساعة
الوزن	0,24 كجم
مراقبة درجة الحرارة	نعم
نوع الخلايا	أيونات الليثيوم
عدد الخلايا	3 خلايا

ملحوظة

إرشادات السلامة الواردة في موضوع 5.1 تشتمل على جميع إرشادات السلامة العامة المتعلقة بالأدوات الكهربائية، وهي مسرودة في دليل الاستعمال طبقاً للمعايير المعمول بها. لذلك قد يتم ذكر إرشادات ليست متعلقة بهذا الجهاز.

1.5 إرشادات السلامة العامة المتعلقة بالأدوات الكهربائية

أ) تحذير 

احرص على قراءة جميع إرشادات السلامة والتعليمات. أي تقصير أو إهمال في تطبيق إرشادات السلامة والتعليمات قد يتسبب في حدوث صدمة كهربائية أو حريق و/أو إصابات خطيرة. احتفظ بجميع مستندات إرشادات السلامة والتعليمات لاستخدامها عند الحاجة إليها فيما بعد. يقصد بمصطلح «الأداة الكهربائية» الوارد ذكره في إرشادات السلامة الأدوات الكهربائية المشغلة بالكهرباء (باستخدام كابل الكهرباء) وكذلك الأدوات الكهربائية المشغلة بالبطاريات (بدون كابل الكهرباء).

1.1.5 سلامة مكان العمل

- أ) حافظ على نطاق عملك نظيفاً ومضاءً بشكل جيد. الفوضى أو أماكن العمل غير المضاءة يمكن أن تؤدي لوقوع حوادث.
- ب) لا تعمل بالأداة الكهربائية في محيط معرض لخطر الانفجار يتواجد به سوائل أو غازات أو أنواع غبار قابلة للاشتعال. الأدوات الكهربائية تولد شرراً يمكن أن يؤدي لإشعال الغبار أو الأبخرة.
- ت) احرص على إبعاد الأطفال والأشخاص الآخرين أثناء استخدام الأداة الكهربائية. في حالة انصراف انتباهك قد تفقد السيطرة على الجهاز.

2.1.5 السلامة الكهربائية

- أ) يجب أن يكون قابس توصيل الأداة الكهربائية متلائماً مع المقبس. لا يجوز تعديل القابس بأي حال من الأحوال. لا تستخدم قوابس مهايأة مع أدوات كهربائية ذات وصلة أرضي محمية. القوابس غير المعدلة والمقابس الملائمة تقلل من خطر حدوث صدمة كهربائية.
- ب) تجنب حدوث تلامس للجسم مع أسطح مؤرضة مثل الأسطح الخاصة بالمواسير وأجهزة التدفئة والمواقد والثلاجات. ينشأ خطر متزايد من حدوث صدمة كهربائية عندما يكون جسمك متصلاً بالأرض.
- ت) أبعد الأدوات الكهربائية عن الأمطار أو البلل. تسرب الماء إلى داخل الأداة الكهربائية يزيد من خطر حدوث صدمة كهربائية.

- ث) لا تستخدم الكابل في الغرض غير المخصص له، كأن تستخدمه لحمل الأداة الكهربائية أو تعليقها أو لسحب القابس من المقبس. احتفظ بالكابل بعيداً عن السخونة والزيت والمواف المادّة والأجزاء المتحركة للجهاز. الكابلات التالفة أو المتشابكة تزيد من خطر حدوث صدمة كهربائية.
- ج) عندما تعمل بأداة كهربائية في مكان مكشوف، لا تستخدم سوى كابلات الإطالة المناسبة للعمل في النطاق الخارجي. استخدم كابل إطالة مناسب للعمل في النطاق الخارجي يقلل من خطر حدوث صدمة كهربائية.
- ح) إذا تعذر تجنب تشغيل الأداة الكهربائية في محيط رطب، فاستخدم مفتاح حماية من تسرب التيار. استخدم مفتاح الحماية من تسرب التيار يقلل خطر حدوث صدمة كهربائية.

3.1.5 سلامة الأشخاص

- أ) كن يقظاً وانتبه لما تفعل وتعامل مع الأداة الكهربائية بتعقل عند العمل بها. لا تستخدم الأداة الكهربائية عندما تكون مرهقاً أو واقفاً تحت تأثير العقاقير المخدرة أو الكحول أو الأدوية. عدم الانتباه للحظة واحدة أثناء استخدام الأداة الكهربائية قد يؤدي لإصابات خطيرة.
- ب) ارتد تجهيزات وقاية شخصية وارتد دائماً نظارة واقية. ارتداء تجهيزات وقاية شخصية، مثل قناع الوقاية من الغبار وأحذية الأمان المضادة للانزلاق وخوذة الوقاية أو واقي السمع، تبعاً لنوع واستخدام الأداة الكهربائية، يقلل من خطر الإصابات.
- ت) تجنب التشغيل بشكل غير مقصود. تأكد أن الأداة الكهربائية مطفأة قبل توصيلها بالكهرباء و/أو بالبطارية وقبل رفعها أو حملها. إذا كان إصبعك على المفتاح عند حمل الأداة الكهربائية أو كان الجهاز في وضع التشغيل عند التوصيل بالكهرباء، فقد يؤدي ذلك لوقوع حوادث.
- ث) أبعده أدوات الضبط أو مفاتيح ربط البراغي قبل تشغيل الأداة الكهربائية. الأداة أو المفتاح المتواجد في جزء دوار من الجهاز يمكن أن يؤدي لحدوث إصابات.
- ج) تجنب اتخاذ وضع غير طبيعي للجسم. احرص على أن تكون واقفاً بأمان وحافظ على توازنك في جميع الأوقات. من خلال ذلك تستطيع السيطرة على الأداة الكهربائية بشكل أفضل في المواقف المفاجئة.
- ح) ارتد ملابس مناسبة. لا ترتد ملابس فضفاضة أو حلي. احرص على أن يكون الشعر والملابس والقفازيات بعيدة عن الأجزاء المتحركة. الملابس الفضفاضة أو الحلي أو الشعر الطويل يمكن أن تشبك في الأجزاء المتحركة.
- خ) إذا أمكن تركيب تجهيزات شفط وتجميع الغبار، فتأكد أنها موصولة ومستخدمة بشكل سليم. استخدم تجهيزة شفط الغبار يمكن أن يقلل الأخطار الناتجة عن الغبار.

4.1.5 استخدام الأداة الكهربائية والتعامل معها

- أ) لا تفرط في التحميل على الجهاز. استخدم الأداة الكهربائية المناسبة للعمل الذي تقوم به. استخدم الأداة الكهربائية المناسبة يتبع لك العمل بشكل أفضل وأكثر أماناً في نطاق العمل المقرر.
- ب) لا تستخدم أداة كهربائية ذات مفتاح تلف. الأداة الكهربائية التي لم يعد يمكن تشغيلها أو إطفائها تعتبر خطيرة ويجب إصلاحها.
- ت) اسحب القابس من المقبس و/أو اخلع البطارية من الجهاز قبل إجراء عمليات ضبط الجهاز، أو استبدال أجزاء الملحقات التكميلية أو عند ترك الجهاز. هذا الإجراء الوقائي يمنع بدء تشغيل الأداة الكهربائية دون قصد.
- ث) احتفظ بالأدوات الكهربائية غير المستخدمة بعيداً عن متناول الأطفال. لا تسمح باستخدام الجهاز من قبل أشخاص ليسوا على دراية به أو لم يقرأوا هذه التعليمات. الأدوات الكهربائية خطيرة في حالة استخدامها من قبل أشخاص ليست لديهم الخبرة اللازمة.
- ج) احرص على العناية التامة بالأدوات الكهربائية. افحص الأجزاء المتحركة من حيث أدائها لوظيفتها بدون مشاكل وعدم انحصارها وافحصها من حيث وجود أجزاء مكسورة أو متعرضة للضرر يمكن أن تؤثر سلباً على وظيفة الأداة الكهربائية. اعمل على إصلاح الأجزاء التالفة قبل استخدام الجهاز. الكثير من الحوادث مصدرها الأدوات الكهربائية التي تم صيانتها بشكل رديء.
- ح) حافظ على أدوات القطع حادة ونظيفة. تتميز أدوات القطع ذات حواف القطع الحادة التي يتم عنايةها كما ينبغي بأنها أقل عرضة للتعثّر وأسهل في الاستخدام.
- خ) استخدم الأداة الكهربائية والملحقات التكميلية وأدوات العمل وخلافه طبقاً لهذه التعليمات. احرص في هذه الأثناء على مراعاة اشتراطات العمل والمهمة المراد تنفيذها. استخدام الأدوات الكهربائية في تطبيقات غير تلك المقررة لها يمكن أن يؤدي لمواقف خطيرة.

5.1.5 استخدام الأداة العاملة بالبطارية والتعامل معها

- أ) لا تشحن البطارية إلا في أجهزة شحن موصى بها من قبل الجهة الصانعة. بالنسبة لجهاز الشحن المناسب لنوع معين من البطاريات، ينشأ خطر الحريق عند استخدامه مع بطاريات أخرى.
- ب) لا تضع في الأدوات الكهربائية سوى البطاريات المخصصة لها. استخدام بطاريات أخرى يمكن أن يؤدي لوقوع إصابات وخطر الحريق.
- ت) حافظ على البطارية غير المستخدمة بعيداً عن مشابك الورق وقطع النقود المعدنية والمفاتيح والمسامير والبراغي أو الأشياء المعدنية

الصغيرة الأخرى التي يمكن أن تتسبب في توصيل الملامسين لبعضهما. حدوث قفلة كهربائية بين أطراف توصيل البطارية يمكن أن ينتج عنه حدوث حروق أو نشوب حريق.

ث) عند الاستخدام بشكل خاطئ يمكن أن يتسرب سائل من البطارية. تجنب ملامسته. اشطفه بالماء في حالة ملامسته عن طريق الخطأ. إذا وصل السائل للعينين، فتوجه للطبيب علاوة على ذلك. سائل البطارية المتسرب يمكن أن يؤدي لتبهج البشرة أو حدوث حروق.

6.1.5 الخدمة

أ) اعمل على إصلاح أداتك الكهربائية على أيدي فنيين معتمدين فقط والاقصر على استخدام قطع الغيار الأصلية. وبذلك تتأكد أن سلامة الأداة الكهربائية تظل قائمة.

2.5 إرشادات السلامة للمثاقب

أ) احرص على ارتداء واقية للأذنين عند الثقب بالطرق. يمكن أن ينتج عن الضوضاء فقدان للسمع.

ب) استخدم المقابض الإضافية الموردة مع الجهاز. فقدان السيطرة يمكن أن يؤدي لوقوع إصابات.

ت) عند إجراء أعمال يحتمل فيها أن تتلامس الأداة الكهربائية مع أسلاك كهربائية مخفية أمسك الجهاز من مواضع المسك المعزولة فقط. حيث أن ملامسة سلك يسري فيه التيار الكهربائي يمكن أن ينقل الجهد الكهربائي للأجزاء المعدنية بالجهاز ويؤدي لحدوث صدمة كهربائية

3.5 إرشادات إضافية للسلامة

1.3.5 سلامة الأشخاص

أ) عند إجراء أعمال يحتمل فيها أن يتلامس البرغي مع أسلاك كهربائية مخفية أمسك الجهاز من مواضع المسك المعزولة فقط. حيث أن ملامسة البرغي لسلك يسري فيه التيار الكهربائي يمكن أن ينقل الجهد الكهربائي للأجزاء المعدنية بالجهاز ويؤدي لحدوث صدمة كهربائية.

ب) أمسك الجهاز دائما بكلتا اليدين من المقابض المخصصة لذلك. حافظ على المقابض جافة ونظيفة وخالية من الزيت والشحم.

ت) خذ قسطا من الراحة أثناء العمل وحرص على عمل تمارين استرخاء وتمرين للأصابع لغرض سريان الدم في الأصابع بشكل أفضل.

ث) تجنب ملامسة الأجزاء الدوارة. لا تقم بتشغيل الجهاز إلا في نطاق العمل. ملامسة الأجزاء الدوارة، وخصوصا الأدوات الدوارة، يمكن أن يؤدي لحدوث إصابات.

- ج) قم بتفعيل مانع التشغيل (مفتاح تحويل الدوران جهة اليمين/اليسار في الوضع الأوسط) عند تخزين الجهاز ونقله.
- ح) الجهاز غير مخصص للاستخدام من قبل الأطفال أو الأشخاص ذوي البنية الضعيفة دون تدريبهم.
- خ) ينبغي توجيه الأطفال إلى عدم اللعب بالجهاز.
- د) الغبار الناتج عن خامات مثل الطلاء المحتوي على الرصاص وبعض أنواع الأخشاب والمعادن هو غبار ضار بالصحة. ملامسته أو استنشاقه قد يسبب أعراض حساسية و/أو أمراض الجهاز التنفسي للمستخدم أو للأشخاص المتواجدين على مقربة منه. هناك أنواع معينة مسرطنة من الغبار مثل غبار خشب البلوط أو غبار خشب الزان، ولا سيما إذا ارتبطت هذه الأنواع بمواد إضافية لمعالجة الأخشاب (مثل الكروم ومواد حماية الأخشاب). لا يجوز التعامل مع المواد المحتوية على الأسبتوس إلا من قبل فنيين مختصين. استخدم شفاطاً للغبار حيثما أمكن. للحصول على درجة شطف عالية للغبار، استخدم مزيل الغبار المحمول الموصى به من Hilti المخصص لغبار الأخشاب و/أو المعادن والذي تمت مواءمته مع هذه الأداة الكهربائية. احرص على توفير توية جيدة لمكان العمل. ينصح بارتداء كمامة مزودة بفلتر من الفئة P2. احرص على مراعاة التعليمات السارية في بلدك بخصوص المواد المراد التعامل معها.

ar

2.3.5 الاستخدام والتعامل بعناية مع الأدوات الكهربائية

- أ) قم بتثبيت قطعة الشغل. استخدم تجهيزات شد أو منجلة لتثبيت قطعة الشغل بإحكام. بذلك تكون أكثر ثباتاً عن إمسакها باليد، وعلو على ذلك تكون كلتا يديك متاحيتين لاستعمال الجهاز.
- ب) تأكد أن الأدوات بها نظام التثبيت المناسب للجهاز وأنها مؤمنة القفل بشكل سليم في ظرف تركيب الأدوات.
- ت) لا يجوز التشغيل بأدوات الشغل الكبيرة والثقيلة إلا بالسرعة الأولى. وإلا فسوف يكون هناك خطر تعرض الجهاز للضرر عند إيقافه أو قد تنحل ملقمة ريش الثقب في بعض الظروف غير الملائمة.

3.3.5 الاستخدام والتعامل بعناية مع الأجهزة العاملة بالبطاريات

- أ) تأكد أن الجهاز مطفاً قبل وضع البطارية. وضع البطارية في أداة كهربائية مشغلة يمكن أن يؤدي لوقوع حوادث.
- ب) اجعل البطاريات بعيدة عن درجات الحرارة العالية والنار. حيث ينشأ خطر الانفجار.
- ت) لا يجوز تفكيك البطاريات أو سحبها أو وضعها في درجة حرارة أعلى من 80°م أو حرقها. وإلا فإن ذلك يشكل خطر وقوع حريق أو انفجار أو اكتواء.

- ث) تجنب تسرب الرطوبة إليها. فالرطوبة المتسربة قد تتسبب في حدوث قفلة كهربائية، مما ينتج عنه الإصابة بحروق أو نشوب حريق.
- ج) لا تستخدم سوى البطاريات المصرح بها للجهاز المعني. استخدم أنواع بطاريات غير مصرح بها أو استخدم البطاريات في أغراض غير مصرح بها يشكل خطر وقوع حريق وانفجار.
- ح) تراعى الإرشادات الخاصة لنقل وتخزين وتشغيل بطاريات أيونات الليثيوم.
- خ) اخلع البطارية عند تخزين ونقل الجهاز.
- د) تجنب حدوث قفلة كهربائية بالبطارية. تأكد قبل تركيب البطارية في الجهاز أن أطراف التوصيل بالبطارية وفي الجهاز خالية من الأجسام الغريبة. إذا حدثت قفلة كهربائية بين أطراف توصيل البطارية، فإن ذلك يشكل خطر وقوع حريق أو انفجار أو اكتواء.
- ذ) لا يجوز مواصلة استخدام البطاريات التالفة أو شحنها (مثل البطاريات التي بها شروخ أو بها أجزاء مكسورة أو أطراف توصيلها مثنية أو مرتدة أو مخلوطة).
- ر) إذا كانت البطارية ساخنة لدرجة لا يمكن معها لمسها، فمن المحتمل أن تكون تالفة. احرص على وضع الجهاز في مكان غير قابل للاشتعال وعلى مسافة كافية من الغامات القابلة للاشتعال، وحيث يمكن مراقبته واتركه حتى يبرد. اتصل بمركز خدمة Hilti بعد أن تبرد البطارية.

4.3.5 السلامة الكهربائية



قبل بدء العمل افحص نطاق العمل من حيث وجود توصيلات كهرباء مغطاة أو مواسير للغاز والماء، مثلاً باستخدام جهاز للكشف عن المعادن. الأجزاء المعدنية الخارجية بالجهاز يمكن أن يسري فيها الجهد الكهربائي، وذلك إذا قمت سوا بإتلاف إحدى توصيلات التيار على سبيل المثال. ويمثل هذا خطراً شديداً في حالة حدوث صدمة كهربائية.

5.3.5 مكان العمل

- أ) اعمل على توفير إضاءة جيدة لنطاق العمل.
- ب) اعمل على توفير تهوية جيدة لمكان العمل. أماكن العمل سيئة التهوية يمكن أن تسبب أضراراً صحية بسبب التلوث بالغبار.



أثناء استخدام الجهاز يجب على المستخدم والأشخاص المتواجدين على مقربة منه استعمال نظارة واقية ملائمة وخوذة حماية وواقي للسمع وقفاز واقي وكمامة خفيفة.

6 التشغيل

ar



1.6 التعامل بعناية مع البطاريات

ملحوظة

في درجات الحرارة المنخفضة تنخفض قدرة البطارية. لا تعمل إلا والبطارية مشحونة تماما. حيث يؤدي ذلك إلى الاستفادة من البطارية بأقصى درجة. ولكن قم في الوقت المناسب بالتحويل إلى البطارية الثانية. قم على الفور بشحن البطارية مرة أخرى لغرض التغيير التالي.

قم بتخزين البطارية في مكان بارد وجاف قدر الإمكان. لا تقم بتخزين البطارية أبدا تحت أشعة الشمس أو على أجهزة التدفئة أو خلف النوافذ الزجاجية. يجب التخلص من البطاريات عند نهاية عمرها الافتراضي بشكل آمن غير ضار بالبيئة.



خطر

اقتصر على استخدام بطاريات وأجهزة الشحن المقررة من Hilti الوارد ذكرها تحت موضوع «الملحقات التكميلية».

1.2.6 الشحن الأول لبطارية جديدة

اشحن البطاريات عن آخرها قبل التشغيل لأول مرة.

2.2.6 شحن بطارية مستهلكة

تأكد أن الأسطح الخارجية للبطارية نظيفة وجافة قبل تركيب البطارية في جهاز الشحن المعني.

ستجد معلومات حول عملية الشحن في دليل استعمال جهاز الشحن. يمكن استخدام بطاريات أيونات الليثيوم في أي وقت، حتى لو كانت مشحونة جزئياً.

3.6 تركيب البطارية

احترس

تأكد قبل إدخال البطاريات أن الجهاز مطفأ وأن مانع التشغيل فعال (مفتاح تحويل الدوران جهة اليمين/اليسار في الوضع الأوسط). اقتصر على استخدام بطاريات Hilti المصرح بها لجهازك.

احترس

قبل تركيب البطارية في الجهاز تأكد أن أطراف توصيل البطارية وأطراف توصيل الجهاز خالية من أية أجسام غريبة.

1. ادفع البطارية من أسفل في الجهاز إلى أن تثبت بصوت مسموع عند المصدر.
2. **احترس:** البطارية التي تتعرض للسقوط قد تعرضك أنت والآخرين للخطر. افحص البطارية من حيث الثبات بشكل جيد في الجهاز.

4.6 إخراج البطارية

1. اضغط على زر التحرير.
2. أخرج البطارية من الجهاز بجذبا إلى الأمام.

5.6 نقل وتخزين البطاريات

اخلع البطارية من الجهاز عند نقله أو تخزينه. تأكد من عدم تعرض أطراف توصيل البطارية لقفلة كهربائية. اخلع الأجزاء المعدنية المنحلة، مثل البراغي والمسامير والمشابك ولقم الربط المنحلة والأسلاك والرايش المعدني من الحقيبة أو صندوق الأدوات أو صندوق النقل أو اعمل على الحيلولة دون ملامسة هذه الأجزاء للبطاريات.

لدى إرسال هذه البطاريات كطرود (نقل بري أو بالقطار أو بحري أو جوي) تراعى لوائح النقل المحلية والدولية المقررة.

6.6 خطاف الحزام

احترس

تأكد قبل بدء العمل أن خطاف الحزام مثبت جيدا.

عن طريق خطاف الحزام يمكنك تثبيت الجهاز في الحزام بحيث يكون ملتصقا بالجسم. كما يمكن علاوة على ذلك تغيير موضع خطاف الحزام بالنسبة لمستخدمي اليد اليسرى بحيث يتواجد على الجانب الآخر من الجهاز.

1. أخرج البطارية من الجهاز.
2. أدخل لوح التثبيت في المجرى المخصص له.
3. ثبت خطاف الحزام باستخدام البرغيين.

7 الاستعمال



احترس

من الممكن أن يسخن الجهاز أثناء الاستخدام. استخدم قفازا واقيا.

احترس

عند الثقب والربط يمكن أن ينحرف الجهاز جانبا.

احترس

استخدم قفازا واقيا عند تغيير الأدوات لتجنب التعرض لإصابات من خلال الأداة.

1.7 ضبط الدوران جهة اليمين/اليسار

ملحوظة

باستخدام مفتاح تحويل الدوران جهة اليمين/اليسار يمكنك اختيار اتجاه دوران بريمة الأدوات. يوجد قفل يمنع التحويل عندما يكون المحرك دائرة. في

الوضع الأوسط يكون مفتاح التحكم مقفلا. إذا ضغطت مفتاح تحويل الدوران جهة اليمين/اليسار إلى اليسار (بالنسبة لاتجاه عمل الجهاز)، يتم ضبط الدوران جهة اليمين. إذا ضغطت مفتاح تحويل الدوران جهة اليمين/اليسار إلى اليمين (بالنسبة لاتجاه عمل الجهاز)، يتم ضبط الدوران جهة اليسار.

2.7 اختيار نطاق عدد اللفات 5

تحذير

لا يجوز التشغيل بأدوات الشغل الكبيرة والثقيلة إلا بالسرعة الأولى. وإلا فسوف يكون هناك خطر تعرض الجهاز للضرر عند إيقافه أو قد تنحل ملقمة ريش الثقب في بعض الظروف غير الملائمة.

ملحوظة

يمكن عن طريق مفتاح اختيار السرعة اختيار نطاق عدد اللفات. نطاقات عدد اللفات للجهاز SF 2-A/SFD 2-A عندما تكون البطارية ممتلئة بالشحنة تماما: السرعة الأولى: 0-400 لفة/دقيقة، السرعة الثانية: 0-1500 لفة/دقيقة.

ملحوظة

لا يمكن استخدام مفتاح اختيار السرعة إلا إذا كان المحرك متوقفا.

ar

3.7 التشغيل/الإيقاف

من خلال الضغط على مفتاح التحكم ببطء يمكنك زيادة عدد اللفات بسلسلة حتى أقصى عدد لفات.

4.7 تغيير الأدوات

احترس

استعمل قفازا واقيا عند تغيير الأدوات، نظرا لأن الأدوات تسخن من خلال الاستخدام.

تأكد أن طرف إدخال الأداة نظيف. إذا لزم الأمر قم بتنظيف طرف الإدخال.

1.4.7 تغيير الأدوات بالجهاز SF 2-A

ملحوظة

الجهاز مزود بملقمة ريش الثقب سريعة الربط لتركيب أدوات كثيرة (على سبيل المثال ريشة ثقب ولقمة وماسك اللقمة).

1.1.4.7 تركيب الأداة

1. اجعل مفتاح تحويل الدوران جهة اليمين/اليسار في الوضع الأوسط أو افصل البطارية من الجهاز.
2. افتح ملقمة الشد السريع للثقب.
3. أدخل الأداة في ظرف تركيب الأدوات وأحكم ربط ملقمة ريش الثقب سريعة الربط.

4. تأكد من الثبات الجيد للأداة.

2.1.4.7 إخراج الأداة

1. اجعل مفتاح تحويل الدوران جهة اليمين/اليسار في الوضع الأوسط أو افصل البطارية من الجهاز.
2. افتح ملقمة الشد السريع للثقب.
3. أخرج الأداة من ظرف تركيب الأدوات.

2.4.7 تغيير الأدوات بالجهاز SFD 2-A

ملحوظة

الجهاز مزود برأس سداسي مجوف $1/4$ بوصة مع جلبة تثبيت لتركيب الأدوات المختلفة (على سبيل المثال، ريشة الثقب واللقمة وماسك اللقمة).

1.2.4.7 تركيب الأداة

1. اجعل مفتاح تحويل الدوران جهة اليمين/اليسار في الوضع الأوسط أو افصل البطارية من الجهاز.
2. حرك جلبة التثبيت الموجودة بالرأس السداسي المجوف إلى الأمام وثبتها في هذا الموضع.
3. أدخل الأداة في الرأس السداسي المجوف حتى النهاية واطرك جلبة التثبيت.
4. تأكد من الثبات الجيد للأداة.

2.2.4.7 إخراج الأداة

1. اجعل مفتاح تحويل الدوران جهة اليمين/اليسار في الوضع الأوسط أو افصل البطارية من الجهاز.
2. حرك جلبة التثبيت الموجودة بالرأس السداسي المجوف إلى الأمام وثبتها في هذا الموضع.
3. اسحب الأداة من الرأس السداسي المجوف واطرك جلبة التثبيت.

5.7 الثقب

احترس

استخدم تجهيزات شد أو منجلة لتثبيت قطعة الشغل بإحكام. بذلك تكون أكثر ثباتاً عن إمساكها باليد، وعلاوة على ذلك تكون كلتا يداك متاحيتين لاستعمال الجهاز.

1. أدر حلقة ضبط عزم الربط والثقب إلى رمز الثقب.
2. اجعل مفتاح تحويل الدوران جهة اليمين/اليسار على وضع الدوران جهة اليمين.

6.7 ربط وحل البراغي

1. اختر عزم الدوران المرغوب من خلال حلقة ضبط عزم الربط والثقب.
2. اختر اتجاه الدوران المرغوب من خلال مفتاح تحويل الدوران جهة اليمين/اليسار.

7.7 استقراء بيان حالة الشحن بطارية أيونات الليثيوم

ملحوظة

أثناء التشغيل لا يمكن الاستعلام عن حالة الشحن.

ملحوظة

عند تركيب البطارية في الجهاز قد تضيء لمبات LED الخاصة بمبين حالة الشحن لفترة قصيرة.

يوجد في بطارية أيونات الليثيوم مبين لحالة الشحن. في حالة عدم تشغيل الجهاز تتم الإشارة إلى حالة الشحن عند الضغط على زر التأمين بالبطارية من خلال أربع لمبات LED.

ar

8 العناية والصيانة

احترس

قبل البدء في أعمال التنظيف اخلع البطارية، للحيلولة دون تشغيل الجهاز دون قصد.

1.8 العناية بالأدوات

أزل الاتساخات شديدة الالتصاق واعمل على حماية أدواتك من الصدأ وذلك من خلال المسح من آن لآخر بفضة تنظيف مشربة بالزيت.

2.8 العناية بالجهاز

احترس

حافظ على الجهاز، وخصوصا مواضع المسك، جافا ونظيفا وخاليا من الزيت والشحم. لا تستخدم مواد عناية محتوية على سليكون.

الجسم الخارجي للجهاز مصنوع من بلاستيك مضاد للصدات. أجزاء المقبض مصنوعة من مادة لدائنية مرنة.

لا تقم أبدا بتشغيل الجهاز بينما فتحات التهوية مسدودة. نظف فتحات التهوية بحرص باستخدام فرشاة جافة. اعمل على منع توغل أجسام غريبة إلى داخل الجهاز. نظف الجهاز من الخارج بصفة دورية باستخدام فوطة تنظيف مبللة بعض الشيء. لا تستخدم بخاخة أو جهاز عامل بالبخار أو ماء متدفق في عملية التنظيف. من خلال ذلك يمكن أن تتعرض السلامة الكهربائية للجهاز للخطر.

3.8 العناية ببطاريات أيونات الليثيوم

تجنب تسرب الرطوبة إليها.
اشحن البطاريات عن آخرها قبل التشغيل لأول مرة.
للوصول لأقصى عمر افتراضي للبطاريات، قم بإيقاف عملية تفريغ الشحنة بمجرد أن تضعف قدرة البطارية بشكل واضح.

ملحوظة

في حالة مواصلة التشغيل يتم إيقاف عملية تفريغ الشحنة أوتوماتيكيا قبل أن يصل الأمر لتلف الخلايا.

اشحن البطاريات بواسطة أجهزة الشحن المصرح بها من Hilti لبطاريات أيونات الليثيوم.

ملحوظة

- لا يلزم زيادة شحن البطاريات مثلما هو الحال مع بطاريات النيكل كادميوم أو النيكل ميتل هيدريد.
- انقطاع عملية الشحن لا يؤثر سلبا على العمر الافتراضي للبطاريات.
- يمكن بدء عملية الشحن في أي وقت دون أن يؤثر ذلك بالسلب على العمر الافتراضي. حيث لا يوجد تأثير ذاكرة مثلما هو الحال مع بطاريات النيكل كادميوم أو النيكل ميتل هيدريد.
- من الأفضل تخزين البطاريات وهي مشحونة بالكامل وفي حالة باردة وجافة قدر الإمكان. تخزين البطاريات في أماكن ذات درجات حرارة عالية (خلف النوافذ الزجاجية) غير ملائم ويؤثر على العمر الافتراضي للبطارية كما أنه يزيد من معدل تفريغ الشحنة الذاتي للخلايا.
- إذا تعذر شحن البطارية عن آخرها فهذا يعني أن سعتها قد ضعفت بسبب التقادم أو زيادة الاستهلاك. يظل من الممكن العمل بهذه البطارية. إلا أنه ينبغي عليك تغيير البطارية بوحدة جديدة.

4.8 الصيانة

تحذير

لا يجوز إجراء إصلاحات على الأجزاء الكهربائية إلا من خلال متخصصين في الكهرباء.

افحص بصفة دورية جميع الأجزاء الخارجية للجهاز من حيث وجود أضرار وجميع عناصر الاستعمال من حيث أدائها لوظيفتها بشكل سليم. لا تقم بتشغيل الجهاز عندما تكون هناك أجزاء تالفة أو إذا كانت بعض عناصر الاستعمال لا تعمل بشكل سليم. اعمل على إصلاح الجهاز لدى خدمة Hilti.

5.8 الفحص بعد أعمال العناية والصيانة

بعد إجراء أعمال العناية والصيانة يجب فحص ما إذا كانت جميع تجهيزات الحماية مركبة وتؤدي وظيفتها بدون أخطاء.

9 تقصي الأخطاء

الخطأ	السبب المحتمل	التغلب عليه
الجهاز لا يعمل.	لم يتم إدخال البطارية بشكل كامل أو أنها فارغة.	يجب أن تثبت البطارية بصوت طقطقة مسموع أو أنه يلزم شحنها.
لا يمكن الضغط على مفتاح التشغيل/الإيقاف أو المفتاح مقفل.	مفتاح تحويل الدوران في الوضع الأوسط (وضع النقل).	أخرج البطارية من الجهاز وتوجه إلى خدمة Hilti.
البطارية تفرغ بشكل أسرع من المعتاد.	حالة البطارية ليست مثالية.	قم بإجراء كشف تشخيصي لدى خدمة Hilti أو قم بتغيير البطارية.
البطارية لا تثبت بصوت طقطقة مسموع.	أطراف التثبيت بالبطارية متسخة.	قم بتنظيف أطراف التثبيت ثم قم بتثبيت البطارية. وتوجه إلى خدمة Hilti، إذا ظلت المشكلة قائمة.
تنشأ سخونة شديدة بالجهاز أو البطارية.	عطل كهربائي.	أوقف الجهاز على الفور وأخرج البطارية منه وتوجه إلى خدمة Hilti.
	هناك تحميل زائد على الجهاز (تم تجاوز حد الاستخدام).	اختر الجهاز المناسب لمقتضيات الاستخدام.

10 التكين

احترس

يمكن أن يؤدي التخلص من التجهيزات بشكل غير سليم إلى النتائج التالية: عند حرق الأجزاء البلاستيكية تنشأ غازات سامة يمكن أن تتسبب في إصابة الأشخاص بأمراض. كما يمكن أن تنفجر البطاريات إذا تلفت أو تعرضت لسخونة شديدة وعندئذ تتسبب في التعرض لحالات تسمم أو حروق أو اكتواءات أو

تعرض البيئة للتلوث. وفي حالة التخلص من التجهيزات بتهاون فإنك بذلك تتيج للأشخاص الغرباء استخداما في غير أغراضها. وعندئذ يمكن أن تتعرض أنت والأخرين لإصابات بالغة وتعرض البيئة كذلك للتلوث.

احترس

تخلص فورا من البطاريات التالفة. احفظها بعيدا عن متناول الأطفال. ولا تقم بتفكيك أو حرق البطاريات.

احترس

تخلص من البطاريات طبقا للوائح المحلية أو قم بإعادة البطاريات المستهلكة لمركز Hilti.



أجهزة Hilti مصنوعة بنسبة كبيرة من مواد قابلة لإعادة التدوير مرة أخرى. يشترط لإعادة التدوير أن يتم فصل الخامات بشكل سليم فنيا. مراكز Hilti في كثير من الدول مستعدة بالفعل لاستعادة جهازك القديم على سبيل الانتفاع به. توجه بأسئلتك لخدمة عملاء Hilti أو مستشار المبيعات.

ar

لدول الاتحاد الأوروبي فقط
لا تعلق الأدوات الكهربائية ضمن القمامة المنزلية!
طبقا للمواصفة الأوروبية بخصوص الأجهزة الكهربائية والإلكترونية القديمة وما يقابل هذه المواصفة في القوانين المحلية يجب تجميع الأدوات الكهربائية المستعملة بشكل منفصل وإعادة تدويرها بشكل لا يضر بالبيئة.



11 ضمان الجبة الصانعة للأجهزة

في حالة وجود أية استفسارات بخصوص شروط الضمان، يرجى التوجه إلى وكيل HILTI المحلي الذي تتعامل معه.

12 شهادة المطابقة للمواصفات الأوروبية (الأصلية)

المسمى:	المفك الآلي الثقب العامل بالبطارية
مسمى الطراز:	SF 2-A/SFD 2-A
الجيل:	01
سنة الصنع:	2013


نقر على مسؤوليتنا الفردية بأن هذا المنتج متوافق مع المواصفات والمعايير التالية: 2006/42/EC، 2004/108/EC، 2006/66/EC، EU/2011/65، EN 60745-1، EN ISO 12100، EN 60745-2-2، EN 60745-2-1.

FL-9494 Schaan، Feldkircherstrasse 100، Hilti Corporation



ar

Tassilo Deinzer
Executive Vice President
Business Unit Power Tools & Accessories
03/2014



Paolo Luccini
Head of BA Quality and Process Management
Business Area Electric Tools & Accessories
03/2014

المطبوعة الفنية لـ:

Hilti Entwicklungsgesellschaft mbH
Zulassung Elektrowerkzeuge
Hiltistrasse 6
Kaufering 86916
Deutschland

ORIĢINĀLĀ LIETOŠANAS INSTRUKCIJA

SF 2-A/SFD 2-A Skrūvēšanas urbja- mašīna ar akumulatoru

Pirms iekārtas lietošanas noteikti izlasiet šo instrukciju.

Vienmēr uzglabājiet instrukciju kopā ar iekārtu.

Ja iekārta tiek nodota citai personai, iekārtai obligāti jāpievieno arī instrukcija.

Saturs

1	Vispārēja informācija	206
2	Apraksts	208
3	Instrumenti, piederumi	209
4	Tehniskie parametri	210
5	Drošība	211
6	Lietošanas uzsākšana	218
7	Lietošana	220
8	Apkope un uzturēšana	223
9	Traucējumu diagnostika	225
10	Nokalpojušo instrumentu utilizācija	226
11	Iekārtas ražotāja garantija	226
12	EK atbilstības deklarācija (oriģināls)	227

I Skaitļi norāda uz attiecīgajiem attēliem. Attēli ir atrodami lietošanas pamācības vāka atvērumā. Lasot lietošanas pamācību, turiet šo atvērumu priekšā.

Šīs lietošanas instrukcijas tekstā ar vārdu "iekārta" vienmēr jāsaprot ar akumulatoru darbināmā skrūvēšanas urbja mašīna SF 2-A vai SFD 2-A ar nofiksētu akumulatora bloku.

Iekārtas daļas, vadības un indikācijas elementi **I**

- 1 Ātrās fiksācijas patrona (SF 2-A)
- 2 Griezies momenta un urbšanas iestatīšanas gredzens
- 3 Pārnesumu pārslēdzējs
- 4 Iekšējais sešstūris ar fiksācijas patronu (SFD 2-A)
- 5 Labā / kreisā rotācijas virziena pārslēdzējs

- ⑥ Rokturis

- ⑦ Lampa

- ⑧ Jostas āķis (opcija)

- ⑨ Uzlādes statusa indikācija

- ⑩ Atbloķēšanas taustiņš

- ⑪ Vadības slēdzis (ar elektronisku rotācijas ātruma regulatoru)

1 Vispārēja informācija

1.1 Signālvārdi un to nozīme

BRIESMAS

Pievērš uzmanību draudošām briesmām, kas var izraisīt smagus miesas bojājumus vai nāvi.

BRĪDINĀJUMS

lv Pievērš uzmanību iespējami bīstamai situācijai, kas var izraisīt smagas traumas vai pat nāvi.

UZMANĪBU

Šo uzrakstu lieto, lai pievērstu uzmanību iespējami bīstamai situācijai, kas var izraisīt traumas vai materiālus zaudējumus.

NORĀDĪJUMS

Šo uzrakstu lieto lietošanas norādījumiem un citai noderīgai informācijai.

1.2 Piktogrammu skaidrojums un citi norādījumi

Brīdinājuma zīmes



Brīdinājums par vispārēju bīstamību



Brīdinājums par bīstamu elektrisko spriegumu



Brīdinājums par kodīgām vielām

Pienākumu uzliekošās zīmes



Lietojiet
aizsargbrilles



Lietojiet aizsargķiveri



Lietojiet skaņas
slāpētājus



Lietojiet
aizsargcimdus



Lietojiet vieglu
elpvadu
aizsargmasku

Simboli



Pirms lietošanas
izlasiet instrukciju



Volti



Līdzstrāva



Nominālais
apgriezienu skaits
tukšgaitā

lv



Ap griezienu skaits
minūtē



Urbšana bez
triecienu funkcijas



Nododiet atreizējai
pārstrādei

Identifikācijas datu novietojums uz iekārtas

Tipa apzīmējums ir norādīts uz identifikācijas datu plāksnītes zem iekārtas kājas, bet sērijas numurs - uz iekārtas korpusa, sānos. Ierakstiet šos datus lietošanas instrukcijā un vienmēr norādiet, kontaktējoties ar Hilti pārstāvi vai servisa nodaļu.

Tips:

Paaudze: 01

Sērijas Nr.:

2 Apraksts

2.1 Izmantošana atbilstoši paredzētajiem mērķiem

SF 2-A un SFD 2-A ir manuāli vadāmas, ar akumulatoru darbināmas skrūvēšanas urbjmašīnas skrūvju ieskrūvēšanai un izskrūvēšanai, kā arī urbšanai tēraudā, kokā un plastmasā.

Nedrīkst apstrādāt veselībai kaitīgus materiālus (piemēram, azbestu).

Nelietojiet akumulatoru blokus kā enerģijas avotu citām ierīcēm, kam tie nav paredzēti.

Aizliegts veikt nesankcionētas manipulācijas vai izmaiņas iekārtā.

Lai izvairītos no savainošanās, izmantojiet tikai oriģinālos Hilti piederumus un instrumentus.

Ievērojiet lietošanas instrukcijas norādījumus par iekārtas lietošanu, apkopi un ekspluatācijas stāvokļa uzturēšanu.

Iekārta ir paredzēta profesionālām vajadzībām, un to drīkst apkalpot, apkopt un remontēt tikai kompetents un attiecīgi apmācīts personāls. Personālam jābūt labi informētam par iespējamiem riskiem, kas var rasties darba laikā. Iekārta un tās papildaprīkojums var radīt bīstamas situācijas, ja to lieto nepareizi vai uztic neapmācītam personālam.

Iespējamā lietojuma joma: būvobjekts, darbnīca, remontdarbi, pārbūve un jaunceltnes.

2.2 Instrumenta patrona

Ātrās fiksācijas patrona modelim SF 2-A un iekšējais sešstūris modelim SFD 2-A.

2.3 Slēdži

Vadības slēdzis ar elektronisku rotācijas ātruma regulatoru

Pārnesumu pārslēdzējs

Labā / kreisā rotācijas virziena slēdzis ar ieslēgšanas bloķēšanu

Griezes momenta un urbšanas iestatīšanas gredzens

2.4 Rokturis

Vibrāciju slāpējošs rokturis

2.5 Koferi piegādātajā komplektā ietilpst:

1 iekārta

1 Lietošanas instrukcija

1 Hilti koferis

2.6 Kartona kārbā piegādātajā komplektā ietilpst:

- 1 Iekārta
- 1 Lietošanas instrukcija

2.7 Iekārtai nepieciešamais papildu aprīkojums:

akumulatora bloks B 12/2.6 Li-Ion ar lādētāju C4/12-50.

2.8 Litija jonu akumulatora bloka uzlādes statusa indikācija

LED deg konstanti	LED mirgo	Uzlādes statuss C
LED 1, 2, 3, 4	-	$C \geq 75 \%$
LED 1, 2, 3,	-	$50 \% \leq C < 75 \%$
LED 1, 2	-	$25 \% \leq C < 50 \%$
LED 1	-	$10 \% \leq C < 25 \%$
-	LED 1	$C < 10 \%$

iv

2.9 Aizsardzība pret pārslodzi un pārkaršanu

Iekārta ir aprīkota ar elektronisku aizsardzību pret pārslodzi un pārkaršanu. Pārslodzes un pārkaršanas gadījumā iekārta automātiski izslēdzas. Ja vadības slēdzi atlaiž un pēc tam nospiež no jauna, ieslēgšanās var aizkavēties (iekārtas atdzišanas fāze).

NORĀDĪJUMS

Par pārslodzi vai pārkaršanu informē akumulatora bloka LED indikācija.

3 Instrumenti, piederumi

Apzīmējums	Saišinājums
Lādētājs litija jonu akumulatora blokam	C 4/12-50
Akumulatora bloks	B 12/2.6 Li-Ion
Jostas āķis (opcija)	

Apzīmējums	Apraksts
Ātrdarbības urbjā patronas iespīlēšanas diapazons	$\varnothing 0,8 \dots 10 \text{ mm}$
Urbuma izmēri kokā (mīkstā)	$\varnothing 0,8 \dots 14 \text{ mm}$

Apzīmējums	Apraksts
Urbuma izmēri kokā (cietā)	∅ 0,8... 10 mm
Urbuma izmēri metālā	∅ 0,8... 6 mm
Kokskrūves (maks. garums 80 mm)	∅ 3... 6 mm

4 Tehniskie parametri

Rezervētas tiesības izdarīt tehniska rakstura izmaiņas!

Iekārta	SF 2-A	SFD 2-A
Nominālais spriegums (līdzstrāva)	10,8 V	10,8 V
Svars saskaņā ar EPTA procedūru 01/2003	1,1 kg	1,0 kg
Rotācijas ātrums, 1. pārnese (ar B 12/2.6)	0... 400/min	0... 400/min
Rotācijas ātrums, 2. pārnese (ar B 12/2.6)	0... 1500/min	0... 1500/min
Griezies moments (viegla skrūvēšana), noregulējums uz urbja simbola	Maks. 12 Nm	Maks. 12 Nm
Griezies momenta noregulēšana (15 pakāpes)	0,5... 3,5 Nm	0,5... 3,5 Nm

NORĀDĪJUMS

Šajos norādījumos minētais svārstību līmenis ir mērīts ar EN 60745 noteiktajām mērījumu metodēm un ir izmantojams dažādu elektroiekārtu salīdzināšanai. To var izmantot arī svārstību radītās slodzes pagaidu novērtējumam. Norādītais svārstību līmenis attiecas uz elektroiekārtas galvenajiem izmantošanas veidiem. Taču, ja elektroiekārta tiek izmantota citos nolūkos, ar citiem maināmajiem instrumentiem vai netiek nodrošināta pietiekama tās apkope, svārstību līmenis var atšķirties. Tas var ievērojami palielināt svārstību radīto slodzi visā darba laikā. Lai precīzi novērtētu svārstību radīto slodzi, jāņem vērā arī laiks, cik ilgi iekārta ir izslēgta vai ir ieslēgta, taču faktiski netiek darbināta. Tas var ievērojami samazināt svārstību radīto slodzi visā darba laikā. Jāparedz papildu drošības pasākumi, lai aizsargātu lietotāju pret svārstību

iedarbību, piemēram: elektroiekārtas un maināmo instrumentu apkope, roku turēšana siltumā, darba procesu organizācija.

Troksnis un vibrācija (mērījumi saskaņā ar EN 60745):

Aprēķinātais raksturīgais A trokšņa līmenis SF 2-A/SFD 2-A	75 dB (A)
Aprēķinātais raksturīgais A trokšņa spiediena līmenis SF 2-A/SFD 2-A	64 dB (A)
Norādītā trokšņa līmeņa iespējamā kļūda	3 dB (A)

Triaksiālās vibrācijas vērtības (vibrācijas vektoru summa)	Mērījumi veikti saskaņā ar EN 60745-2-2
SF 2-A/SFD 2-A: Skrūvēšana bez triecieniem, a_h	0,5 m/s ²
Iespējamā kļūda (K)	1,5 m/s ²

Triaksiālās vibrācijas vērtības (vibrācijas vektoru summa)	Mērījumi veikti saskaņā ar EN 60745-2-1
SF 2-A/SFD 2-A: Urbšana metālā, $a_{h,D}$	1,9 m/s ²
Iespējamā triaksiālo vibrācijas mērījumu kļūda (K)	1,5 m/s ²

iv

Akumulatora bloks	B 12/2.6 Li-Ion
Nominālais spriegums	10,8 V
Kapacitāte	2,6 Ah
Enerģija	28,08 Wh
Svars	0,24 kg
Temperatūras kontrole	Jā
Bateriju veids	Litija jonu
Bateriju bloks	3 gab.

5 Drošība

NORĀDĪJUMS

Nodaļas 5.1 drošības norādījumi ietver visus vispārīgos drošības norādījumus attiecībā uz elektroiekārtām, kas jāietver lietošanas instrukcijā saskaņā

ar spēkā esošajām normām. Līdz ar to instrukcijā var būt norādījumi, kas konkrētajai iekārtai nav relevanti.

5.1 Vispārīgi drošības norādījumi darbam ar elektroiekārtām

a) BRĪDINĀJUMS

Izlasiet visus drošības norādījumus un instrukcijas. Šeit izklāstīto drošības norādījumu un instrukciju neievērošana var izraisīt elektrošoku, ugunsgrēku un/vai nopietnas traumas. **Saglabājiet visus drošības norādījumus un instrukcijas turpmākai lietošanai.** Drošības norādījumos lietotais apzīmējums "elektroiekārta" attiecas uz iekārtām ar tīkla barošanu (ar barošanas kabeli) un iekārtām ar barošanu no akumulatora (bez kabeļa).

5.1.1 Drošība darba vietā

- lv**
- a) **Uzturiet darba vietā tīrību un kārtību un nodrošiniet labu apgaismojumu.** Nekārtīgā darba vietā vai sliktā apgaismojumā var viegli notikt nelaimes gadījums.
 - b) **Nestrādājiet ar elektroiekārtu sprādzienbīstamā vidē, kurā atrodas uzliesmojoši šķidrums, gāzes vai putekļi.** Darba laikā iekārta nedaudz dzirkstējo, un tas var izraisīt viegli degošu putekļu vai tvaiku aizdegšanos.
 - c) **Lietojot elektroiekārtu, neļaujiet nepiederošām personām un jo īpaši bērniem tuvoties darba vietai.** Citu personu klātbūtne var novērst uzmanību, un tā rezultātā jūs varat zaudēt kontroli pār iekārtu.

5.1.2 Elektrodrošība

- a) **Elektroiekārtas kontaktdakšai jāatbilst elektrotīkla kontaktligzdai. Kontaktdakšas konstrukciju nedrīkst nekādā veidā mainīt. Kopā ar elektroiekārtām, kurām ir aizsargzemējums, nedrīkst lietot adapteru spraudņus.** Neizmainītas konstrukcijas kontaktdakša, kas atbilst kontaktligzdai, ļauj samazināt elektrošoka risku.
- b) **Darba laikā nepieskarieties saņemtiem priekšmetiem, piemēram, caurulēm, radiatoriem, plītim vai ledusskapjiem.** Pieskaroties saņemtiem virsmām, pieaug risks saņemt elektrisko triecienu.
- c) **Nelietojiet elektroiekārtu lietus laikā, neturiet to mitrumā.** Mitrumam iekļūstot elektroiekārtā, pieaug risks saņemt elektrisko triecienu.
- d) **Nenesiet un nepiekariniet elektroiekārtu aiz barošanas kabeļa un neraujiet aiz kabeļa, ja vēlaties atvienot iekārtu no elektrotīkla kontaktligzdas. Sargājiet elektrokabeļi no karstuma, eļļas, asām šķautnēm un iekārtas kustīgajām daļām.** Bojāts vai sapīņķērējies elektrokabeļis var būt par cēloni elektrošokam.

- e) **Darbinot elektroiekārtu ārpus telpām, izmantojiet tās pievienošanai vienīgi tādas pagarinātājkaabeļus, kas ir paredzēti lietošanai brīvā dabā.** Lietojot elektrokabeļi, kas ir piemērots darbam ārpus telpām, samazinās elektrošoka risks.
- f) **Ja elektroiekārtas izmantošana slapjā vidē ir obligāti nepieciešama, lietojiet bojājumstrāvas aizsargslēdzi.** Bojājumstrāvas slēdža lietošana samazina elektrošoka risku.

5.1.3 Personiskā drošība

- a) **Strādājiet ar elektroiekārtu uzmanīgi, darba laikā saglabājiet paškontroli un rīkojieties saskaņā ar veselo saprātu. Nestrādājiet ar elektroiekārtu, ja jūtaties noguruši vai atrodaties alkohola, narkotiku vai medikamentu ietekmē.** Strādājot ar elektroiekārtu, pat viens neuzmanības mirklis var būt par cēloni nopietnam savainojumam.
- b) **Izmantojiet individuālos darba aizsardzības līdzekļus un darba laikā vienmēr nēsājiet aizsargbrilles.** Individuālo darba aizsardzības līdzekļu (putekļu aizsargmaskas, neslidošu apavu un aizsargķiveres vai ausu aizsargu) lietošana atbilstoši elektroiekārtas tipam un veicamā darba raksturam ļauj izvairīties no savainojumiem.
- c) **Nepieļaujiet iekārtas nekontrolētas ieslēgšanās iespēju. Pirms pievienošanas elektrotīklam, akumulatora ievietošanas, elektroiekārtas satveršanas vai pārvietošanas pārliecinieties, ka tā ir izslēgta.** Ja iekārtas pārvietošanas laikā pirksts atrodas uz slēdža vai ja ieslēgta iekārta tiek pievienota elektriskajam tīklam, iespējams nelaimes gadījums.
- d) **Pirms elektroiekārtas ieslēgšanas jānoņem visi regulēšanas piederumi un uzgriežņu atslēgas.** Regulēšanas piederumi vai uzgriežņu atslēga, kas iekārtas ieslēgšanas brīdī atrodas tajā, var radīt traumas.
- e) **Izvairieties no nedabiskām pozām. Darba laikā vienmēr saglabājiet līdzsvaru un nodrošinieties pret paslīdēšanu.** Tas atvieglos elektroiekārtas vadību neparedzētās situācijās.
- f) **Izvēlieties darbam piemērotu apģērbu. Darba laikā nenēsājiet brīvi plandošas drēbes un rotaslietas. Netuviniet matus, apģērbu un aizsargcimdus iekārtas kustīgajām daļām.** Valīgas drēbes, rotaslietas un gari mati var ieķērties iekārtas kustīgajās daļās.
- g) **Ja elektroiekārtas konstrukcija ļauj pievienot putekļu nosūkšanas vai savākšanas ierīci, sekojiet, lai tā būtu pievienota un darbināta pareizi.** Putekļu nosūcēja lietošana samazina putekļu kaitīgo ietekmi.

5.1.4 Elektroiekārtas lietošana un apkope

- a) **Nepārslogojiet elektroiekārtu. Katram darbam izvēlieties piemērotu iekārtu.** Elektroiekārta darbosies labāk un drošāk pie nominālās slodzes.

- b) **Nelietojiet elektroiekārtu, ja ir bojāts tās slēdzis.** Elektroiekārta, ko nevar ieslēgt un izslēgt, ir bīstama un nekavējoties jānodod remontam.
- c) **Pirms iestatījumu veikšanas, aprīkojuma daļu nomaiņas vai iekārtas novietošanas uzglabāšanai atvienojiet kontaktdakšu no elektrotīkla un/vai noņemiet akumulatoru.** Šādi Jūs novērsīsiet elektroiekārtas nejaušas ieslēgšanās risku.
- d) **Elektroiekārtu, kas netiek darbināta, uzglabājiet piemērotā vietā. Neļaujiet lietot iekārtu personām, kas nav iepazinušās ar tās funkcijām un izlasījušas šo lietošanas instrukciju.** Ja elektroiekārtu lieto nekompētas personas, tas var apdraudēt cilvēku veselību.
- e) **Rūpīgi veiciet elektroiekārtu apkopi. Pārbaudiet, vai kustīgās daļas darbojas bez traucējumiem un neķeras un vai kāda no daļām nav salauzta vai bojāta un tādējādi netraucē elektroiekārtas nevainojamu darbību. Raugieties, lai pirms iekārtas lietošanas tiktu nomainītas vai saremontētas bojātās daļas.** Daudzi nelaimes gadījumi notiek tāpēc, ka elektroiekārtām nav nodrošināta pareiza apkope.
- f) **Griezējinstrumentiem vienmēr jābūt uzasinātiem un tīriem.** Rūpīgi kopti griezējinstrumenti ar asām šķautnēm retāk iestrēgst un ir vieglāk vadāmi.
- g) **Lietojiet elektroiekārtu, piederumus, maināmos instrumentus utt. saskaņā ar šiem norādījumiem. Jāņem vērā arī konkrētie darba apstākļi un veicamās operācijas īpatnības.** Elektroiekārtu lietošana citiem mērķiem, nekā to ir paredzējusi ražotājfirma, ir bīstama un var izraisīt neparedzamas sekas.

5.1.5 Ar akumulatoru darbināmas iekārtas lietošana un apkope

- a) **Akumulatora uzlādei jālieto tikai ražotāja ieteiktie lādētāji.** Noteikta veida akumulatoriem paredzēts lādētājs kļūst ugunsbīstams, ja to izmanto kombinācijā ar cita veida akumulatoriem.
- b) **Izmantojiet elektroiekārtas barošanai tikai tai paredzētos akumulatorus.** Cita tipa akumulatoru lietošana var izraisīt iekārtas un/vai akumulatora aizdegšanos.
- c) **Laikā, kad akumulators ir atvienots no iekārtas, nepieļaujiet tā kontaktu saskaršanos ar saspraudēm, monētām, atslēgām, naglām, skrūvēm vai citiem nelieliem metāla priekšmetiem, kas varētu izraisīt īssavienojumu.** Ja starp akumulatora kontaktiem rodas īssavienojums, tas var sadegt vai kļūt par ugunsgrēka cēloni.
- d) **Nepareizi lietojot akumulatoru, no tā var izplūst šķidrums. Nepieļaujiet tā nokļūšanu uz ādas. Ja tas tomēr nejausi ir noticis, noskalojiet ar ūdeni. Ja šķidrums iekļūst acīs, izskalojiet acis un nekavējoties griezieties pie ārsta.** No akumulatora izplūdušais šķidrums var izraisīt ādas kairinājumu vai pat apdegumus.

5.1.6 Serviss

- a) **Uzdodiet elektroiekārtas remontu veikt tikai kvalificētam personālam, kas izmanto vienīgi oriģinālās rezerves daļas.** Tikai tā ir iespējams saglabāt elektroiekārtas funkcionālo drošību.

5.2 Drošības norādījumi darbam ar urbjašīnām

- a) **Triecienurbšanas laikā lietojiet dzirdes aizsardzības aprīkojumu.** Trokšņa iedarbība var radīt dzirdes zudumu.
- b) **Lietojiet kopā ar iekārtu piegādātos papildu rokturus.** Kontroles zudums var kļūt par cēloni traumām.
- c) **Ja darba laikā pastāv iespēja, ka instruments var nonākt saskarē ar apslēptiem elektriskajiem vadiem, vienmēr satveriet iekārtu aiz izolētajām rokturu virsmām.** Saskaroties ar spriegumam pieslēgtiem vadiem, spriegums tiek novadīts uz iekārtas metāla daļām, radot elektrošoka risku.

5.3 Papildu drošības norādījumi

5.3.1 Personiskā drošība

- a) **Ja darba laikā pastāv iespēja, ka skrūve var nonākt saskarē ar apslēptiem elektriskajiem vadiem, vienmēr satveriet iekārtu tikai aiz izolētajām rokturu virsmām.** Skrūvei saskaroties ar spriegumam pieslēgtiem vadiem, spriegums tiek novadīts arī uz iekārtas metāla daļām, tādējādi radot elektrošoka risku.
- b) **Vienmēr satveriet iekārtu ar abām rokām aiz šim nolūkam paredzētajiem rokturiem. Nodrošiniet, lai rokturi vienmēr būtu tīri, sausi un attaukoti.**
- c) **Strādājiet ar pārtraukumiem un veiciet atslābināšanās un pirkstu vingrinājumus, kas uzlabo asinsriti.**
- d) **Izvairieties no saskares ar rotējošām daļām. Ieslēdziet iekārtu tikai tad, kad tā atrodas darba zonā.** Saskare ar rotējošām iekārtas daļām, sevišķi ar rotējošiem instrumentiem, var izraisīt traumas.
- e) **Pirms iekārtas uzglabāšanas vai transportēšanas jāaktivē ieslēgšanās bloķēšana (labā / kreisā rotācijas virziena pārslēdzējam jāatrodas vidējā pozīcijā).**
- f) **Iekārta nav paredzēta, lai to lietotu bērni vai nevarīgi cilvēki.**
- g) **Bērniem stingri jāpaskaidro, ka ar iekārtu nedrīkst rotaļāties.**
- h) **Putekļi, ko rada tādi materiāli kā, piemēram, svīnu saturoša krāsa, daži koksnes veidi, minerāli un metāls, var būt kaitīgi veselībai.** Saskare ar šiem putekļiem vai to ieelpošana var izraisīt lietotāja vai citu tuvumā esošo personu alerģiskas reakcijas un/vai elpceļu saslimšanas. Noteikti putekļu veidi, piemēram, ozola un skābarža koksnes putekļi, tiek uzskati-

tīti par kancerogēniem - sevišķi kopā ar kokapstrādē izmantojamām vielām (hromātiem, koksnes aizsarglīdzekļiem). Azbestu saturošus materiālus drīkst apstrādāt tikai kompetenti speciālisti. **Ja iespējams, lietojiet putekļu nosūcēju.** Lai sasniegtu augstu putekļu nosūkšanas efektivitāti, lietojiet piemērotu, Hilti ieteiktu mobilo putekļu nosūcēju, kas paredzēts koka un/vai minerālo materiālu nosūkšanai, strādājot ar šo elektroiekārtu. Nodrošiniet darba vietā labu ventilāciju. Ieteicams valkāt elpceļu aizsardzības masku ar filtra klasi P2. Ievērojiet Jūsu valstī spēkā esošos normatīvus, kas regulē attiecīgo materiālu apstrādi.

5.3.2 Elektroiekārtu lietošana un apkope

- a) **Nostipriniet apstrādājamo priekšmetu.** Apstrādājamā materiāla nostiprināšanai izmantojiet skrūvspīles vai citu fiksācijas ierīci. Šādi tas būs drošāk un stabilāk novietots nekā tad, ja to turēsiet ar roku, turklāt Jums abas rokas būs brīvas instrumenta lietošanai.
- b) **Pārliecinieties, vai ievietojamo instrumentu savienojumu sistēmas atbilst iekārtas fiksācijas patronai un tie tajā droši nofiksējas.**
- c) **Lielus, smagus maināmos instrumentus drīkst lietot tikai ar pirmo pārnēsumu.** Pretējā gadījumā pastāv risks, ka izslēgšanās brīdī radīsies iekārtas bojājumi vai nelabvēlīgos apstākļos atvienosies urbja patronas stiprinājums.

lv

5.3.3 Rūpīga ar akumulatoriem darbināmo iekārtu lietošana un apkope

- a) **Pirms akumulatora pievienošanas pārliecinieties, ka elektroiekārta ir izslēgta.** Akumulatora ievietošana ieslēgtā iekārtā var būt par cēloni nelaimes gadījumam.
- b) **Sargājiet akumulatora blokus no augstas temperatūras un uguns.** Pastāv eksplozijas risks.
- c) **Akumulatora blokus nedrīkst izjaukt, saspīest, sakarsēt virs 80°C vai sadedzināt.** Pretējā gadījumā iespējams ugunsgrēks, eksplozija vai ķīmiskie apdegumi.
- d) **Nepieļaujiet mitruma iekļūšanu.** Mitrums var izraisīt īssavienojumu, kā rezultātā iespējama aizdegšanās vai apdedzināšanās.
- e) **Lietojiet tikai un vienīgi attiecīgajai iekārtai paredzētos akumulatora blokus.** Ja tiek lietoti neatļauti akumulatora bloki vai ja akumulatora blokus izmanto tādās jomās, kam tie nav paredzēti, pastāv ugunsgrēka un eksplozijas risks.
- f) **Ievērojiet īpašos norādījumus par litija jonu akumulatora bloku transportēšanu, uzglabāšanu un ekspluatāciju.**

- g) **Pirms iekārtas novietošanas uzglabāšanai vai transportēšanas jāizņem akumulatora bloks.**
- h) **Nepieļaujiet akumulatora bloka īssavienojumu. Pirms akumulatora bloka ievietošanas iekārtā pārbaudiet, vai uz akumulatora bloka vai iekārtas kontaktiem neatrodas svešķermeņi.** Akumulatora bloka kontaktu īssavienojuma gadījumā iespējama aizdegšanās, eksplozija vai ķīmiskie apdegumi.
- i) **Ja akumulatoru bloki ir bojāti (piemēram, tajos radušās plaisas, tiem ir nolūzušas atsevišķas daļas, tie ir saliekti, ar atlauztiem vai izvilkti kontaktiem), tos nekādā gadījumā nedrīkst mēģināt uzlādēt vai lietot.**
- j) **Ja akumulatora bloks ir tik karsts, ka to nevar satvert, iespējams, ka tas ir bojāts. Novietojiet iekārtu atdzišanai vietā, kas atrodas pietiekamā attālumā no degošiem materiāliem un kur to var pastāvīgi novērot. Kad akumulatora bloks ir atdzisis, sazinieties ar Hilti servisu.**

5.3.4 Elektrodrošība



iv

Piemēram, ar metāla detektora palīdzību, pirms darba uzsākšanas pārbaudiet, vai zem apstrādājamās virsmas neatrodas apslēpti elektriskie vadi, gāzes vai ūdens caurules. Iekārtas ārējās metāla daļas var būt zem sprieguma, ja, piemēram, darba laikā nejauši tiek bojāts elektriskais vads. Tā rezultātā rodas nopietns elektriskā trieciena risks.

5.3.5 Darba vieta

- a) **Rūpējieties par labu darba vietas apgaismojumu.**
- b) **Nodrošiniet darba vietā labu ventilāciju.** Nepietiekama ventilācija darba vietā var novest pie putekļu izraisītiem veselības traucējumiem.

5.3.6 Individuālais aizsargaprīkojums



Lietotājam un tuvumā esošajām personām instrumenta lietošanas laikā jāizmanto piemērotas aizsargbrilles, aizsargķivere, dzirdes aizsarglīdzekļi, aizsargcimdi un viegli elpošanas ceļu aizsardzības līdzekļi.

6 Lietošanas uzsākšana

lv



6.1 Rūpīga akumulatora bloku lietošana

NORĀDĪJUMS

Zemā temperatūrā akumulatora bloka jauda samazinās. Strādājiet tikai ar pilnībā uzlādētu akumulatora bloku. Tas palielina akumulatora lietderīgumu. Savlaicīgi nomainiet izlādēto akumulatora bloku pret otru. Uzreiz uzlādējiet izņemto akumulatora bloku, lai tas būtu gatavs nākošai nomaīņai.

Uzglabājiet akumulatora bloku pēc iespējas vēsā un sausā vietā. Nekādā gadījumā neuzglabājiet akumulatora bloku saulē, uz apkures radiatoriem vai aiz stikla. Kad akumulatora bloks ir nokalpojis, utilizējiet to atbilstoši vides aizsardzības noteikumiem.

6.2 Akumulatora bloka uzlāde



BRIESMAS

Jālieto tikai paredzētie Hilti akumulatora bloki un Hilti lādētāji, kas minēti nodaļā "Piederumi".

6.2.1 Jauna akumulatora bloka pirmā uzlāde

Pirms pirmās lietošanas akumulatora bloks pilnībā jāuzlādē.

6.2.2 Lietota akumulatora bloka uzlādēšana

Pirms akumulatora bloka ievietošanas atbilstīgajā lādētājā pārlicinieties, vai tā ārējās virsmas ir tīras un sausas.

Informāciju par uzlādes procesu Jūs atradīsiet lādētāja lietošanas instrukcijā. Litija jonu akumulatora bloki ir gatavi lietošanai arī pēc daļējas uzlādes.

iv

6.3 Akumulatora bloka ievietošana

UZMANĪBU

Pirms akumulatora bloka ielikšanas jāpārlicinās, vai iekārta ir izslēgta un vai ir aktivēta ieslēgšanās bloķēšana (labā / kreisā virziena pārslēdzējs atrodas vidējā pozīcijā). Jālieto tikai tādi Hilti akumulatoru bloki, kas ir paredzēti lietošanai kombinācijā ar konkrēto iekārtu.

UZMANĪBU

Pirms akumulatora bloka ievietošanas iekārtā pārlicinieties, ka uz akumulatora bloka un iekārtas kontaktiem nav nekādu svešķermeņu.

1. No priekšpuses jāiebīda akumulatora bloks iekārtā, līdz tas nofiksējas ar dzirdamu klikšķi.
2. **UZMANĪBU** Akumulatora izkrišana var apdraudēt iekārtas lietotāju un apkārtējos.
Jāpārbauda, vai akumulatora bloks ir kārtīgi nofiksējies iekārtā.

6.4 Akumulatora bloka izņemšana 2

1. Nospiediet atbloķēšanas taustiņu.
2. Virzienā uz priekšpusi izvelciet akumulatora bloku no iekārtas.

6.5 Akumulatora bloku transportēšana un uzglabāšana

Pirms iekārtas transportēšanas un novietošanas glabāšanā no tās jāizņem akumulatora bloks. Jāraugās, lai starp akumulatora bloka kontaktiem netiktu radīts īssavienojums. Izņemiet no kofera, instrumentu kārbas vai transportēšanas iepakojuma nenostiprinātus metāla priekšmetus, piemēram, skrūves, naglas, skavas, skrūvēšanas uzgaļus, stieples vai metāla skaidas, vai citādā veidā nodrošiniet, lai šie priekšmeti nevarētu nonākt saskarē ar akumulatora bloku.

Nosūtiet akumulatora blokus (ar autotransportu, pa dzelzceļu, jūru vai ar aviotransportu), ievērojiet nacionālo un starptautisko transporta noteikumu prasības.

6.6 Jostas āķis

UZMANĪBU

Pirms darba uzsākšanas pārbaudiet, vai jostas āķis ir kārtīgi nofiksēts.

Ar jostas āķa palīdzību Jūs varat nostiprināt iekārtu pie jostas tā, lai tā piekļautos ķermenim. Pastāv arī iespēja nostiprināt jostas āķi otrā iekārtas pusē, lai atvieglotu darbu ar iekārtu kreļļiem.

1. Izņemiet akumulatora bloku no iekārtas.
2. Iespraudiet pieskrūvējamo plāksni paredzētajā vadotnē.
3. Nostipriniet jostas āķi ar divām skrūvēm.

lv

7 Lietošana



UZMANĪBU

Iekārta lietošanas laikā var sasilt. **Lietojiet aizsargcimdus.**

UZMANĪBU

Urbšanas un skrūvēšanas laikā iekārta var pagriezties uz sāniem.

UZMANĪBU

Lai izvairītos no instrumenta radītām traumām, instrumentu nomaiņu veiciet ar cimdiem.

7.1 Labā / kreisā rotācijas virziena pārslēgšana 4

NORĀDĪJUMS

Ar labā / kreisā rotācijas virziena pārslēdzēja palīdzību var mainīt vārpstas rotācijas virzienu. Iekšējās aizsardzības mehānisms izslēdz iespēju pārslēgt rotācijas virzienu motora darbības laikā. Vidējā pozīcijā ir bloķēts vadības slēdzis. Pārslēdzot labā / kreisā rotācijas virziena slēdzi pa kreisi (attiecībā pret iekārtas darbības virzienu), tiek aktivēta rotācija pa labi. Pārslēdzot labā / kreisā rotācijas virziena slēdzi pa labi (attiecībā pret iekārtas darbības virzienu), tiek aktivēta rotācija pa kreisi.

7.2 Apgriezienu skaita diapazona izvēle 5

BRĪDINĀJUMS

Lielus, smagus maināmos instrumentus drīkst lietot tikai ar pirmo pārniesumu. Pretējā gadījumā pastāv risks, ka izslēgšanās brīdī radīsies iekārtas bojājumi vai nelabvēlīgos apstākļos atvienosies urbja patronas stiprinājums.

NORĀDĪJUMS

Ar pārniesumu pārslēdzēju var izvēlēties apgriezienu skaita diapazonu. SF 2-A/SFD 2-A apgriezienu skaita diapazons ar pilnībā uzlādētu akumulatora bloku: 1. pārniesums: 0-400 apgr./min, 2. pārniesums: 0-1500 apgr./min

NORĀDĪJUMS

Pārniesumus iespējams pārslēgt tikai tad, kad iekārtas motors ir apstādināts.

7.3 Ieslēgšana / izslēgšana

Lēnām griežot vadības slēdzi, Jūs varat bez fiksētām pakāpēm mainīt rotācijas ātrumu līdz maksimālajam.

7.4 Instrumentu nomainīšana

UZMANĪBU

Instrumentu nomainīšana jāveic ar aizsargcimdīm, jo instruments lietošanas laikā sakarst.

Jāpārbauda, vai nofiksējamā instrumenta gals ir tīrs. Vajadzības gadījumā instrumenta gals jānotīra.

7.4.1 Instrumenta maiņa SF 2-A

NORĀDĪJUMS

Iekārta ir aprīkota ar ātrās fiksācijas patronu, kas paredzēta dažādu instrumentu (piemēram, urbju, skrūvgrieža uzgaļu un uzgaļu turētāju) nostiprināšanai.

iv

7.4.1.1 Instrumenta ievietošana

1. Jāpārslēdz labā / kreisā rotācijas virziena pārslēdzējs vidējā pozīcijā vai jāatvieno no iekārtas akumulatora bloks.
2. Jāatver ātrdarbības fiksācijas patrona.
3. Ievietojiet instrumentu turētājā un pagrieziet ātrās fiksācijas patronu.
4. Pārbaudiet instrumenta fiksāciju.

7.4.1.2 Instrumenta izņemšana

1. Jāpārslēdz labā / kreisā rotācijas virziena pārslēdzējs vidējā pozīcijā vai jāatvieno no iekārtas akumulatora bloks.
2. Jāatver ātrdarbības fiksācijas patrona.
3. Jāizvelk instruments no turētāja.

7.4.2 Instrumenta maiņa SFD 2-A 6

NORĀDĪJUMS

lv Iekārta ir aprīkota ar 1/4" iekšējā sešstūra fiksācijas patronu, kas paredzēta dažādu instrumentu (piemēram, urbju, skrūvgrieža uzgaļu un uzgaļu turētāju) nostiprināšanai.

7.4.2.1 Instrumenta ievietošana

1. Jāpārslēdz labā / kreisā rotācijas virziena pārslēdzējs vidējā pozīcijā vai jāatvieno no iekārtas akumulatora bloks.
2. Jāpabīda fiksācijas patrona ar iekšējo sešstūri uz priekšu un stingri jātur šādā pozīcijā.
3. Instruments līdz galam jāiebīda iekšējā sešstūrī un jāatlaiž fiksācijas patrona.
4. Pārbaudiet instrumenta fiksāciju.

7.4.2.2 Instrumenta izņemšana

1. Jāpārslēdz labā / kreisā rotācijas virziena pārslēdzējs vidējā pozīcijā vai jāatvieno no iekārtas akumulatora bloks.
2. Fiksācijas patrona ar iekšējo sešstūri jāpabīda uz priekšu un stingri jātur šādā pozīcijā.
3. Instruments jāizvelk no iekšējā sešstūra un jāatlaiž fiksācijas patrona.

7.5 Urbšana

UZMANĪBU

Apstrādājamā materiāla nostiprināšanai izmantojiet skrūvspīles vai citas fiksācijas ierīces. Šādi tas būs drošāk un stabilāk novietots nekā

tad, ja to turēsiet ar roku, turklāt Jums abas rokas būs brīvas iekārtas lietošanai.

1. Jāpagriež griezes momenta un urbšanas iestatīšanas gredzens pret urbšanas simbolu.
2. Labā / kreisā rotācijas virziena pārslēgšana uz labo.

7.6 Skrūves

1. Ar griezes momenta un urbšanas iestatīšanas gredzenu jāizvēlas nepieciešamais griezes moments.
2. Ar labā / kreisā rotācijas virziena pārslēdzēju jāizvēlas vajadzīgais rotācijas virziens.

7.7 Litija jonu akumulatora bloka uzlādes statusa indikācijas nolasīšana

NORĀDĪJUMS

Darba laikā nolasīt uzlādes statusu nav iespējams.

NORĀDĪJUMS

Brīdī, kad akumulatora bloks tiek ievietots iekārtā, var īslaicīgi iedegties uzlādes statusa indikācijas LED.

Litija jonu akumulatora blokiem ir uzlādes statusa indikācija. Laikā, kad iekārta netiek darbināta, uzlādes statusu pēc akumulatora bloka atbloķēšanas taustiņa nospiešanas parāda četras LED.

iv

8 Apkope un uzturēšana

UZMANĪBU

Pirms tīrīšanas darbu uzsākšanas jānoņem akumulatora bloks, lai novērstu nejaušas ieslēgšanās iespējas!

8.1 Instrumentu kopšana

Notīriet no ievietoājamo instrumentu virsmas netīrumus un laiku pa laiku apstrādājiet to ar eļļā samitrinātu drāniņu, lai pasargātu no korozijas.

8.2 Iekārtas apkope

UZMANĪBU

Nodrošiniet, lai iekārta un jo sevišķi tās satveršanas virsmas būtu sausas un tīras un uz tām nebūtu eļļa vai smērvielas. Nedrīkst izmantot silikonu saturošus kopšanas līdzekļus.

Iekārtas korpuss ir ražots no triecienizturīgas plastmasas. Roktura daļas ir izgatavotas no elastomēru materiāla.

Nekad nedarbiniet iekārtu, ja ir nosprostotas tās ventilācijas atveres! Uzma-
nīgi iztīriet atveres ar sausu birstīti. Nepieļaujiet svešķermeņu iekļūšanu ie-
kārtas iekšienē. Iekārtas ārpusi regulāri notīriet ar viegli samitrinātu drāniņu.
Iekārtas tīrīšanai nelietojiet aerosolus, tvaika tīrīšanas iekārtas vai ūdens
strūklu! Tas var negatīvi ietekmēt elektrodrošību.

8.3 Litija jonu akumulatora bloku apkope

Nepieļaujiet mitruma iekļūšanu.

Pirms ekspluatācijas uzsākšanas jāveic pilnīga akumulatora bloka uzlāde.
Lai akumulatora bloks kalpotu pēc iespējas ilgāk, tas jāizņem un jāuzlādē,
tiklīdz ievērojami samazinās akumulatora jauda.

NORĀDĪJUMS

Ja lietošana turpinās, izlāde tiek automātiski pārtraukta, pirms ir radušies
neatgriezeniski akumulatora bojājumi.

Izmantojiet uzlādei tikai sertificētus Hilti lādētājus, kas paredzēti litija jonu
akumulatoru blokiem.

iv NORĀDĪJUMS

- Atšķirībā no NiCd vai NiMH akumulatora blokiem tiem atjaunojošā
uzlāde nav nepieciešama.
- Uzlādes procesa pārtraukšana neiespaido akumulatora bloku
kalpošanas ilgumu.
- Lādēšanu var uzsākt jebkurā brīdī, nebaidoties, ka tas saīsinās
akumulatora bloka kalpošanas ilgumu. NiCd vai NiMH akumulatora
blokiem piemītošā atmiņas funkcija šajā gadījumā neeksistē.
- Akumulatora bloki pilnībā uzlādētā stāvoklī jāuzglabā iespējami vēsā
un sausā vietā. Akumulatora bloku uzglabāšana augstā temperatūrā
(piemēram, uz palodzes) ir nelabvēlīga, saīsina akumulatora bloka
kalpošanas ilgumu un veicina pašizlādi.
- Ja akumulatora bloks vairs pilnībā neuzlādējas, tas nozīmē, ka tas ir
nolietojies un zaudējis kapacitāti. Strādāt ar šādu akumulatora bloku
vēl ir iespējams. Tomēr šāds akumulatora bloks pēc iespējas drīz
jānomaina pret jaunu.

8.4 Uzturēšana

BRĪDINĀJUMS

**Elektrisko daļu remontu drīkst veikt tikai kvalificēti elektrotehnikas
speciālisti.**

Regulāri pārlicinieties, ka visas iekārtas ārējās daļas ir nebojātas un visi
elementi ir nevainojamā tehniskā stāvoklī. Nedarbiniet iekārtu, ja tās daļas
ir bojātas vai vadības elementi nefunkcionē nevainojami. Jāuzdod veikt
iekārtas remontu Hilti servisa darbiniekiem.

8.5 Pārbaude pēc apkopes un uzturēšanas darbiem

Pēc apkopes un uzturēšanas darbiem ir jāpārbauda, vai ir pievienoti visi aizsardzības mehānismi un vai to darbība ir nevainojama.

9 Traucējumu diagnostika

Problēma	Iespējamais iemesls	Risinājums
Iekārta nedarbojas.	Akumulatora bloks nav ielikts līdz galam vai ir izlādējies.	Akumulatora blokam jā-nofiksējas ar sadzirdamu klikšķi, vai jāveic akumu-latora bloka uzlāde.
	Elektriskas kļūmes.	Jāizņem akumulatora bloks no iekārtas un jā-griežas pie Hilti servisa darbiniekiem.
Ieslēgšanas / izslēgšanas slēdzi nav iespējams nospiegt, respektīvi, tas ir nobloķēts.	Labā / kreisā rotācijas virziena slēdzis vidējā pozīcijā (transportēšanas pozīcija).	Labā / kreisā rotācijas virziena slēdzis labajā vai kreisajā pozīcijā.
Akumulatora bloks izlādējas ātrāk nekā parasti.	Akumulatora bloka stāvoklis nav optimāls.	Diagnostika Hilti servisā vai akumulatora bloka nomaiņa.
Akumulatora bloks nenofiksējas ar sadzirdamu klikšķi.	Netīras akumulatora fiksācijas mēlītes.	Jānotīra fiksācijas mēlītes un jānofiksē akumu-latora bloks. Ja problēmas saglabājas, jāvērsas Hilti servisā.
Iekārta vai akumulators spēcīgi sakarst.	Elektrisks defekts.	Iekārta nekavējoties jāizslēdz, akumulatora bloks jāizņem no iekārtas un jāgriežas Hilti servisā.
	Iekārtas pārslodze (pār-sniegtas ekspluatācijas robežas).	Iekārtas izvēle atbilstoši lietošanas veidam.

iv

UZMANĪBU

Ja aprīkojuma utilizācija netiek veikta atbilstoši priekšrakstiem, iespējamās šādas sekas: plastmasas daļu sadedzināšanas rezultātā izdalās toksiskas gāzes, kas var kaitēt cilvēku veselībai. Ja baterijas tiek mehāniski bojātas vai spēcīgi sakarsētas, tās var eksplodēt un izraisīt saindēšanos, termiskos vai ķīmiskos apdegumus un vides piesārņojumu. Vieglprātīgi izmetot aprīkojumu atkritumos, jūs dodat iespēju nepiederošām personām izmantot to nesankcionētos nolūkos. Tā rezultātā šīs personas var savainoties pašas vai savainot citus, vai radīt vides piesārņojumu.

UZMANĪBU

Bojāti akumulatora bloki nekavējoties jāutilizē. Tie nedrīkst būt pieejami bērniem. Nekādā gadījumā nemēģiniet akumulatora blokus izjaukt vai sadedzināt.

UZMANĪBU

Akumulatora bloki jāutilizē saskaņā ar nacionālajiem normatīviem vai jānodod atpakaļ Hilti.

lv



"Hilti" iekārtu izgatavošanā tiek izmantoti galvenokārt otrreiz pārstrādājami materiāli. Priekšnosacījums otrreizējai pārstrādei ir atbilstoša materiālu šķirošana. Daudzās valstīs Hilti ir izveidojis sistēmu, kas pieļauj veco ierīču pieņemšanu otrreizējai pārstrādei. Jautājiet Hilti klientu apkalpošanas servisā vai savam pārdevējam – konsultantam.



Tikai ES valstīs

Neizmetiet elektroiekārtas sadzīves atkritumos!

Saskaņā ar Eiropas Direktīvu par nokalpojušām elektroiekārtām un elektroniskām ierīcēm un tās īstenošanai paredzētajām nacionālajām normām nolietotās elektroiekārtas jāsavāc atsevišķi un jānodod utilizācijai saskaņā ar vides aizsardzības prasībām.

11 Iekārtas ražotāja garantija

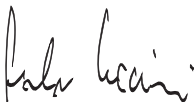
Ar jautājumiem par garantijas nosacījumiem, lūdzu, vērsieties pie vietējā HILTI partnera.

12 EK atbilstības deklarācija (oriģināls)

Apzīmējums:	Skrūvēšanas urbjmašīna ar akumulatoru
Tips:	SF 2-A/SFD 2-A
Paaudze:	01
Konstruēšanas gads:	2013

Mēs uz savu atbildību deklarējam, ka šis produkts atbilst šādām direktīvām un normām: 2006/42/EK, 2004/108/EK, 2006/66/EK, 2011/65/ES, EN 60745-1, EN 60745-2-1, EN 60745-2-2, EN ISO 12100.

Hilti Corporation, Feldkircherstrasse 100, FL-9494 Schaan



Paolo Luccini
Head of BA Quality and Process Management
Business Area Electric Tools & Accessories
03/2014



Tassilo Deinzer
Executive Vice President
Business Unit Power Tools & Accessories
03/2014

iv

Tehniskā dokumentācija:
Hilti Entwicklungsgesellschaft mbH
Zulassung Elektrowerkzeuge
Hiltistrasse 6
86916 Kaufering
Deutschland

ORIGINALI NAUDOJIMO INSTRUKCIJA

SF 2-A/SFD 2-A Akumuliatorinis gręžtuvas-suktuvas

Prieš pradėdami naudotis atidžiai perskaitykite naudojimo instrukciją.

Šią naudojimo instrukciją visada saugokite kartu su prietaisu.

Perduokite prietaisą kitiems asmenims tik kartu su naudojimo instrukcija.

Turinys

1	Bendrieji nurodymai	229
2	Aprašymas	231
3	Įrankiai, priedai	232
4	Techniniai duomenys	233
5	Saugos nurodymai	235
6	Prieš pradėdami naudotis	241
7	Darbas	243
8	Techninė priežiūra ir remontas	246
9	Gedimų aptikimas	247
10	Utilizacija	248
11	Prietaiso gamintojo teikiama garantija	249
12	EB atitikties deklaracija (originali)	249

Šiais skaitmenimis žymimos nuorodos į atitinkamas iliustracijas. Teksto iliustracijos pateiktos atlenkiamuose viršelio puslapiuose. Studijuodami instrukciją, laikykite juos atverstus.

Šios naudojimo instrukcijos tekste vartojamas žodis „prietaisas“ visada reiškia akumuliatorinį gręžtuvą-suktuvą SF 2-A arba SFD 2-A su įdėtu akumuliatoriumi.

Prietaiso konstrukciniai, valdymo ir indikacijos elementai

- Greitojo fiksavimo griebtuvas (SF 2-A)
- Gręžimo ir sukimo momento nustatymo žiedas
- Greičio pasirinkimo jungiklis
- Šešiabriaunė anga su fiksavimo įvore (SFD 2-A)
- Dešininės / kairinės eigos perjungiklis

- ⑥ Rankena

- ⑦ Lemputė

- ⑧ Diržo kablys (galimas priedas)

- ⑨ Įkrovos lygio indikacija

- ⑩ Atblokavimo mygtukas

- ⑪ Valdymo jungiklis (su elektroniniu sukimosi greičio reguliavimu)

1 Bendrieji nurodymai

1.1 Signaliniai žodžiai ir jų reikšmė

PAVOJUS

Šis įspėjimas vartojamas norint atkreipti dėmesį į pavojingą situaciją, kai galite susižaloti ar net žūti.

ĮSPĖJIMAS

Šis žodis vartojamas, siekiant įspėti, kad nesilaikant instrukcijos reikalavimų kyla rimto sužeidimo ar mirties pavojus.

ATSARGIAI

Šis žodis vartojamas norint atkreipti dėmesį į pavojingą situaciją, kuri gali tapti lengvo žmogaus sužalojimo, prietaiso gedimo ar kito turto pažeidimo priežastimi.

NURODYMAS

Naudojimo nurodymai ir kita naudinga informacija.

1.2 Piktogramų ir kitų nurodymų paaiškinimai

Įspėjamieji ženklai



Bendro pobūdžio
įspėjimas



Įspėjimas: pavojinga
elektros įtampa



Įspėjimas:
ėsdinančios
medžiagos

Įpareigojantys ženklai



Užsidėkite
apsauginius akinius



Užsidėkite apsauginį
šalmą



Naudokite klausos
apsaugos priemones



Užsimaukite
apsaugines pirštines



Naudokite lengvą
respiratorių

Simboliai



Prieš naudodami
perskaitykite
instrukciją



Voltai



Nuolatinė srovė



Vardinis tuščiosios
eigos apsisukimų
skaičius



Apsisukimai per
minutę



Grėžimas be
smūgiavimo



Gražinkite atliekas
antriniam
perdirbimui

Prietaiso identifikacinių duomenų vieta

Prietaiso tipas nurodytas apačioje, ant prietaiso kojos pritvirtintoje firminėje duomenų lentelėje, o jo serijos numeris – ant korpuso šono. Užsirašykite šiuos duomenis savo instrukcijose ir visuomet juos nurodykite, norėdami pasikonsultuoti su „Hilti“ atstovu ar techniniu centru.

Tipas:

Karta: 01

Serijos Nr.:

2 Aprašymas

2.1 Naudojimas pagal paskirtį

SF 2-A ir SFD 2-A yra ranka valdomi akumulatoriniai gręžtuvai-suktuvai, skirti varžtams įsukti ir išsukti bei plienui, medienai ir plastikui gręžti.

Neleidžiama apdirbti sveikatai kenksmingų medžiagų (pvz., asbesto).

Nenaudokite akumuliatorių kaip maitinimo šaltinio kitiems nenurodytiems energijos imtuvams.

Draudžiama keisti ar modifikuoti prietaisą.

Norėdami išvengti pavojaus susižaloti, naudokite tik originalius „Hilti“ priedus ir įrankius.

Laikykitės naudojimo instrukcijoje pateiktų nurodymų dėl darbo su įrenginiu, jo priežiūros ir remonto.

Prietaisas yra skirtas profesionalams, todėl jį naudoti, atlikti techninę priežiūrą ir remontuoti leidžiama tik įgaliotiems, instruktuotiems darbuotojams. Šie darbuotojai turi būti specialiai instruktuoti apie galimus pavojus. Šis prietaisas ir pagalbinės jo priemonės gali būti pavojingi, jeigu jais netinkamai naudosis neapmokyti darbuotojai arba jie bus naudojami ne pagal paskirtį.

Darbo aplinka gali būti statybų aikštelės, dirbtuvės, renovuojami, rekonstruojami ir naujai statomi pastatai.

It

2.2 Įrankio griebtuvas

Greitojo fiksavimo griebtuvas modelyje SF 2-A ir šešiabriaunė anga modelyje SFD 2-A.

2.3 Jungiklis

Valdymo jungiklis su elektroniniu sukimosi greičio reguliatoriumi

Greičio pasirinkimo jungiklis

Dešininės / kairinės eigos perjungiklis su įjungimo blokatoriumi

Gręžimo ir sukimo momento nustatymo žiedas

2.4 Rankena

Vibraciją slopinanti rankena

2.5 Lagamine tiekiamas komplektas:

1 Prietaisas

1 Naudojimo instrukcija

1 „Hilti“ lagaminas

2.6 Kartoninėje pakuotėje tiekiamas komplektas:

- 1 Prietaisas
- 1 Naudojimo instrukcija

2.7 Kad prietaisą būtų galima eksploatuoti, papildomai reikalinga:

akumuliatorius B 12/2.6 Li-Ion su krovikliu C4/12-50.

2.8 Ličio jonų akumuliatoriaus įkrovos lygio indikacija

Nuolat šviečiantis šviesos diodas	Mirksintis šviesos diodas	Įkrovos lygis C
1, 2, 3, 4 šviesos diodai	-	$C \geq 75 \%$
1, 2, 3 šviesos diodai	-	$50 \% \leq C < 75 \%$
1, 2 šviesos diodai	-	$25 \% \leq C < 50 \%$
1 šviesos diodas	-	$10 \% \leq C < 25 \%$
-	1 šviesos diodas	$C < 10 \%$

2.9 Apsauga nuo perkrovos ir perkaitimo

Prietaise įrengta elektroninė apsauga nuo perkrovos ir perkaitimo. Perkrautas ir perkaitęs prietaisas automatiškai išjungiamas. Tuo metu atleidus ir vėl paspaudus valdymo jungiklį, prietaisas gali ir neįsijungti (įjungimas užlaikomas tol, kol prietaisas atvės).

NURODYMAS

Akumuliatoriaus LED nerodo perkrovos arba perkaitimo.

3 Įrankiai, priedai

Pavadinimas	Sutrumpintas žymėjimas
Kroviklis ličio jonų akumuliatoriui	C 4/12-50
Akumuliatorius	B 12/2.6 Li-Ion
Diržo kablys (galimas priedas)	

Pavadinimas	Aprašymas
Greito fiksavimo griebtuvo skersmenų diapazonas	∅ 0,8... 10 mm
Medienoje (minkštoje) gręžiamų skylių skersmuo	∅ 0,8... 14 mm
Medienoje (kietoje) gręžiamų skylių skersmuo	∅ 0,8... 10 mm
Metale gręžiamų skylių skersmuo	∅ 0,8... 6 mm
Medvaržčiai (maks. ilgis 80 mm)	∅ 3...6 mm

4 Techniniai duomenys

Gamintojas pasilieka teisę vykdyti techninius pakeitimus!

Prietaisas	SF 2-A	SFD 2-A
Nominalioji maitinimo įtampa (nuolatinė)	10,8 V	10,8 V
Svoris pagal EPTA-Procedure 01/2003	1,1 kg	1,0 kg
1-mas sukimosi greitis (su B 12/2.6)	0...400/min	0...400/min
2-as sukimosi greitis (su B 12/2.6)	0...1500/min	0...1500/min
Sukimo momento (sukant varžtus į minkštą pagrindą) nustatymas pagal gręžimo simbolį	Maks. 12 Nm	Maks. 12 Nm
Sukimo momento nustatymas (15 padėčių)	0,5...3,5 Nm	0,5...3,5 Nm

NURODYMAS

Šiuose nurodymuose pateiktas svyravimų lygis yra išmatuotas taikant standarte EN 60745 nurodytą matavimo metodą ir gali būti naudojamas elektriniams įrankiams palyginti tarpusavyje. Jis taip pat tinka vibracinei apkrovai iš anksto įvertinti. Nurodytas svyravimų lygis yra susietas su pagrindinėmis šio elektrinio įrankio naudojimo sąlygomis ir būdais. Jeigu elektrinis įrankis bus naudojamas kitaip, su skirtingais keičiamaisiais įrankiais arba bus nepakankamai techniškai prižiūrimas, jo svyravimų lygis gali skirtis nuo nurodytojo. Tai gali gerokai padidinti vibracinę apkrovą per visą darbo laikotarpį. Norint tiksliai nustatyti vibracinę apkrovą, reikėtų įvertinti ir laiką, kai prietaisas yra

išjungtas, arba, nors ir įjungtas, juo faktiškai nedirbama. Toks įvertinimas gali smarkiai sumažinti vibracinės apkrovos per visą darbo laikotarpį reikšmę. Imkitės papildomų saugos priemonių, kad darbuotojas būtų apsaugotas nuo svyravimų / vibracijų poveikio, pavyzdžiui: reikalaukite tinkamos elektrinio įrankio ir keičiamųjų įrankių techninės priežiūros, pasirūpinkite, kad darbuotojų rankos visada būtų šiltos, užtikrinkite tinkamą darbo organizavimą.

Informacija apie triukšmą ir vibraciją (išmatuota pagal EN 60745):

Tipinis pagal A normuotas garso stiprumo lygis prietaisams SF 2-A / SFD 2-A	75 dB (A)
Tipinis pagal A normuotas skleidžiamo garso slėgio lygis prietaisams SF 2-A / SFD 2-A	64 dB (A)
Nurodytų triukšmo lygio reikšmių paklaida	3 dB (A)

Vibracijų reikšmės trijose ašyse (vibracijų vektorinė suma) Išmatuota pagal EN 60745-2-2

Prietaisams SF 2-A / SFD 2-A: Varžtų sukimas be smūgiavimo, a_h	0,5 m/s ²
Paklaida (K)	1,5 m/s ²

Vibracijų reikšmės trijose ašyse (vibracijų vektorinė suma) Išmatuota pagal EN 60745-2-1

Prietaisams SF 2-A / SFD 2-A: Metalo grėžimas, $a_{h,D}$	1,9 m/s ²
Vibracijos matavimo trijose ašyse paklaida (K)	1,5 m/s ²

Akumulatorius	B 12/2.6 Li-Ion
Nominalioji maitinimo įtampa	10,8 V
Talpa	2,6 Ah
Energijos imlumas	28,08 Wh
Svoris	0,24 kg
Temperatūros kontrolė	Yra
Akumulatoriaus elementų tipas	Lilon
Elementų blokas	3 vnt.

5 Saugos nurodymai

NURODYMAS

Saugos nurodymuose, kurie yra 5.1 skyriuje, pateikti visi bendrieji elektrinių įrankių naudojimo saugos nurodymai, kurie, remiantis taikytinomis normomis, turi būti pateikiami naudojimo instrukcijoje. Tačiau šiuose skyriuose gali būti nurodymų, kurie šiam prietaisui nėra svarbūs.

5.1 Bendrieji saugos nurodymai elektriniams įrankiams

a)  **ĮSPĖJIMAS**

Perskaitykite visus saugos nurodymus ir instrukcijas. Šių saugos nurodymų ir instrukcijų nesilaikymas gali tapti elektros smūgio, gaisro ir / arba sunkių sužalojimų priežastimi. **Išsaugokite visus saugos nurodymus ir instrukcijas, kad galėtumėte į juos pažvelgti ateityje.** Saugos nurodymuose vartojama sąvoka „elektrinis įrankis“ apibrėžiami iš elektros tinklo maitinami elektriniai įrankiai (turintys maitinimo kabelį) ir iš akumuliatorių baterijos maitinami elektriniai įrankiai (be maitinimo kabelio).

5.1.1 Darbo vietos sauga

- Pasirūpinkite, kad darbo vieta visada būtų švari ir gerai apšviesta.** Netvarkinga ar blogai apšviesta darbo vieta gali tapti nelaimingų atsitikimų priežastimi.
- Nenaudokite šio elektrinio įrankio sprogioje aplinkoje, kurioje yra degių skysčių, dujų arba dulkių.** Veikiantys elektriniai įrankiai kibirkščiuoja, ir kibirkštys gali uždegti dulkes arba susikaupusius garus.
- Dirbdami elektriniu įrankiu, neleiskite darbo zonoje būti vaikams ir pašaliniais asmenims.** Nukreipę dėmesį į kitus asmenis, galite nebesuvaldyti prietaiso.

5.1.2 Apsauga nuo elektros

- Elektrinio įrankio maitinimo kabelio kištukas turi atitikti elektros lizdo tipą.** Kištuko jokių būdu negalima keisti. Nenaudokite tarpinių kištukų kartu su elektriniais įrankiais, turinčiais apsauginį žemimą. Nepakeisti kištukai ir tinkami elektros lizdai sumažina elektros smūgio riziką.
- Venkite kūno kontakto su žemintais paviršiais, pvz., vamzdžiais, šildytuvais, viryklėmis ir šaldytuvais.** Kai žmogaus kūnas yra žemintas, padidėja elektros smūgio tikimybė.
- Saugokite elektrinius įrankius nuo lietaus ir drėgmės.** Į elektrinį įrankį patekus vandens, padidėja elektros smūgio rizika.

It

- d) **Nenaudokite maitinimo kabelio ne pagal paskirtį, t. y. neneškite elektrinio įrankio paėmę už kabelio, nekabinkite jo ant kabelio, netraukite už kabelio, norėdami ištraukti kištuką iš elektros lizdo. Maitinimo kabelį saugokite nuo karščio, alyvos / tepalo, aštrių briaunų ar judančių prietaiso dalių. Pažeisti arba susipynę kabeliai didina elektros smūgio riziką.**
- e) **Jei elektriniu įrankiu dirbate lauke, naudokite tik tuos ilginamuosius kabelius, kurie tinka lauko darbams. Naudojant lauko darbams pritaikytus ilginamuosius kabelius, sumažėja elektros smūgio rizika.**
- f) **Jeigu negalima išvengti elektrinio įrankio naudojimo drėgnoje aplinkoje, į elektros tinklą jįjunkite per apsauginę nuotėkio relę. Apsauginė nuotėkio relė mažina elektros smūgio riziką.**

5.1.3 Žmonių sauga

- a) **Dirbdami elektriniu įrankiu būkite atidūs, sutelkite dėmesį į darbą ir vadovaukitės sveika nuovoka. Nedirbkite su elektriniu įrankiu, jei esate pavargę, vartojote narkotikų, alkoholio ar vaistų. Dirbant elektriniu įrankiu, akimirksniui nuo darbo atitrauktas dėmesys gali tapti rimtų sužalojimų priežastimi.**
- b) **Naudokite asmenines apsaugos priemones ir visuomet užsidėkite apsauginius akinius. Naudojant asmenines apsaugos priemones, pvz., respiratorių ar apsauginę kaukę, neslystančius batus, apsauginį šalną, ausines ir kt., priklausomai nuo elektrinio įrankio tipo ir naudojimo, sumažėja rizika susižaloti.**
- c) **Saugokitės, kad neįjungtumėte prietaiso atsitiktinai. Prieš prijungdami prie elektros maitinimo tinklo, įdėdami akumuliatorių, imdami į rankas ar nešdami, įsitikinkite, kad elektrinis įrankis yra išjungtas. Jeigu nešdami elektrinį įrankį pirštą laikysite ant jungiklio arba įrankį įjungsitė į elektros tinklą tuomet, kai jungiklis nėra išjungtas, gali įvykti nelaimingas atsitikimas.**
- d) **Prieš įjungdami elektrinį įrankį pašalinkite reguliavimo įrankius ar veržlinius raktus. Besisukančioje prietaiso dalyje esantis įrankis ar paliktas raktas gali tapti sužalojimų priežastimi.**
- e) **Venkite nepatogių kūno padėčių. Dirbdami stovėkite tvirtai ir visada išlaikykite kūno pusiausvyrą. Taip galėsite geriau kontroliuoti elektrinį įrankį netikėtomis situacijomis.**
- f) **Dėvėkite tinkamą aprangą. Nevilkėkite plačių drabužių, nesidėkite papuošalų. Saugokite plaukus, drabužius ir pirštines nuo besisukančių prietaiso dalių. Laisvus drabužius, papuošalus bei ilgus plaukus gali įtraukti besisukančios prietaiso dalys.**
- g) **Jei yra numatyta galimybė prijungti dulkių nusiurbimo ar surinkimo įrenginius, visada įsitikinkite, kad jie yra prijungti ir tinkamai naudo-**

jami. Naudojant dulkių nusiurbimo įrenginį, gali sumažėti dulkių keliamo grėsmė.

5.1.4 Elektrinio įrankio naudojimas ir elgesys su juo

- a) **Neperkraukite prietaiso.** Naudokite Jūsų darbui tinkamą elektrinį įrankį. Su tinkamu elektriniu įrankiu Jūs dirbsite geriau ir saugiau, jei neviršysite nurodytos galios.
- b) **Nenaudokite elektrinio įrankio su sugedusiu jungikliu.** Elektrinis įrankis, kurio nebegalima įjungti ar išjungti, yra pavojingas ir jį reikia remontuoti.
- c) **Prieš nustatydami prietaisą, keisdami priedus ar tiesiog padėdami prietaisą į šalį, visuomet ištraukite maitinimo kabelio kištuką iš elektros lizdo ir/arba išimkite akumuliatorių iš prietaiso.** Ši atsargumo priemonė leis išvengti netikėto elektrinio įrankio įsijungimo.
- d) **Nenaudojamus elektros prietaisus saugokite vaikams neprieinamoje vietoje. Neleiskite prietaisu naudotis asmenims, kurie nėra su juo susipažinę arba nėra perskaitę šios instrukcijos.** Elektriniai įrankiai yra pavojingi, kai juos naudoja patirties neturintys asmenys.
- e) **Elektrinius įrankius rūpestingai prižiūrėkite. Tikrinkite, ar judančios elektrinio įrankio dalys tinkamai funkcionuoja ir niekur neklūva, ar nėra sulūžusių ir pažeistų dalių, kurios blogintų įrankio veikimą. Prieš naudojimą pažeistos prietaiso dalys turi būti suremontuotos.** Blogai prižiūrimi elektriniai įrankiai yra daugelio nelaimingų atsitikimų priežastis.
- f) **Pjovimo įrankiai visuomet turi būti aštrūs ir švarūs.** Rūpestingai prižiūrėti pjovimo įrankiai su aštriomis pjaunamosiomis briaunomis mažiau stringa ir juos yra lengviau valdyti.
- g) **Elektrinį įrankį, reikmenis, keičiamus įrankius ir t. t. naudokite pagal šias instrukcijas. Taip pat atsižvelkite į darbo sąlygas bei atliekamo darbo pobūdį.** Naudojant elektrinius įrankius ne pagal jų paskirtį, gali kilti sužeidimų grėsmė.

5.1.5 Akumuliatorinio įrankio naudojimas ir elgesys su juo

- a) **Akumuliatoriams įkrauti naudokite tik tuos kroviklius, kuriuos rekomenduoja gamintojas.** Jei kroviklis, tinkantis tik nustatytiems akumuliatorių tipams, naudojamas kitiems akumuliatoriams įkrauti, kyla gaisro pavojus.
- b) **Elektriniams įrankiams galima naudoti tik konkrečiai jiems skirtus akumuliatorius.** Naudojant kitokius akumuliatorius, kyla pavojus susižaloti ir sukelti gaisrą.
- c) **Nenaudojamo akumuliatoriaus nelaikykite šalia sąvaržėlių, monetų, raktų, vinių, varžtų ar kitokių smulkių metalinių daiktų, kurie galėtų**

trumpai sujungti akumuliatoriaus kontaktus. Trumpai sujungus akumuliatoriaus kontaktus, galima nusideginti ar sukelti gaisrą.

- d) **Netinkamai naudojant akumuliatorių, iš jo gali ištekėti skystis. Venkite kontakto su šiuo skysčiu. Jei skysčio atsitiktinai pateko ant odos, nuplaukite ją vandeniu, jei pateko į akis - gerai praplaukite jas vandeniu ir nedelsdami kreipkitės į gydytoją.** Akumuliatoriaus skystis gali sudirginti arba chemiškai nudeginti odą.

5.1.6 Techninė priežiūra

- a) **Elektrinį įrankį turi teisę remontuoti tik kvalifikuotas specialistas, tam jis turi naudoti tik originalias atsargines dalis.** Taip galima užtikrinti, kad bus išlaikytas elektrinio įrankio naudojimo saugumas.

5.2 Saugos nurodymai elektriniams gręžtuvams

- a) **Vykdydami smūginio gręžimo darbus, užsidėkite ausines.** Per didelis triukšmas gali pakenkti klausai.
- b) **Naudokite prietaiso komplekte esančias papildomas rankenas.** Prietaisui tapus nebevaldomam, galite susižaloti.
- lt c) **Jeigu vykdant darbus keičiamas įrankis gali paliesti paslėptus elektros laidus, visada laikykite prietaisą už izoliuotų rankenų paviršių.** Dėl kontakto su laidais, kuriais teka elektros srovė, metalinėse prietaiso dalyse taip pat gali atsirasti įtampa, todėl kyla elektros smūgio pavojus.

5.3 Papildomi saugos nurodymai

5.3.1 Žmonių sauga

- a) **Jeigu vykdant darbus sukamas varžtas / sraigtas gali paliesti paslėptus elektros laidus, visada laikykite prietaisą už izoliuotų rankenų paviršių.** Dėl varžto / sraigto kontakto su laidais, kuriais teka elektros srovė, metalinėse prietaiso dalyse taip pat gali atsirasti įtampa, todėl kyla elektros smūgio pavojus.
- b) **Prietaisą visada laikykite abiem rankomis už tam skirtų rankenų. Rankenos visada turi būti sausos, švarios, ant jų neturi būti alyvos ar tepalo likučių.**
- c) **Dirbdami darykite pertraukas bei atpalaidavimo pratimus pirštams, kad pagerėtų kraujotaka.**
- d) **Venkite liesti besisukančias prietaiso dalis. Prietaisą įjunkite tik darbo vietoje.** Liečiant besisukančias dalis, o ypač besisukančius įrankius, kyla sunkių sužalojimų pavojus.
- e) **Prietaisą padėdami ir transportuodami įjunkite apsaugantį blokatų (dešininį / kairinį perjungiklį į perstumkite vidurinę padėtį).**

- f) **Prietaisas nėra skirtas naudotis vaikams arba fiziškai silpniems neinstrukuotiems asmenims.**
- g) **Vaikams reikia paaiškinti, kad jiems negalima žaisti su šiuo prietaisu.**
- h) Dažų, kurių sudėtyje yra švino, kai kurių rūšių medienos, mineralinių medžiagų ir metalo dulkės gali būti kenksmingos sveikatai. Liečiamos ar įkvėptos tokios dulkės darbuotojui ar arti jo esantiems asmenims gali sukelti alergines reakcijas ir/arba kvėpavimo takų susirgimus. Ažuolo arba buko medienos dulkės gali sukelti vėžinius susirgimus, ypač tada, kai naudojami priedai medienai apdoroti (chromatai, medienos konservantai). Medžiagas, kurių sudėtyje yra asbesto, leidžiama apdoroti tik specialistams. **Pagal galimybes naudokite dulkių nusiurbimo įrenginį. Siekdami nusiurbti kuo daugiau dulkių, naudokite tinkamą „Hilti“ rekomenduojamą mobilių medienos ir/arba mineralinių medžiagų dulkių gaudymo įtaisą, skirtą šiam elektriniam įrankiui. Pasirūpinkite, kad darbo vieta būtų gerai vėdinama. Rekomenduojama užsidėti P2 filtravimo klasės respiratorių. Laikykitės Jūsų šalyje galiojančių instrukcijų apie konkrečių medžiagų apdirbimą.**

5.3.2 Atsargus elektrinių įrankių naudojimas ir elgesys su jais

- a) **Įtvirtinkite apdirbamas detales ar ruošinius. Apdirbamiems ruošiniams įtvirtinti naudokite spaustuvus arba veržtuvus.** Taip saugiau, nei laikyti juos rankomis, be to, laisvomis rankomis galėsite tinkamai naudotis prietaisu.
- b) **Patikrinkite, ar įstatomų įrankių jungiamojo antgalio sistema sutampa su griebtuvo sistema ir ar šie įrankiai saugiai įtvirtinti griebtuve.**
- c) **Didelius, sunkius keičiamuosius įrankius leidžiama naudoti tik dirbant pirmąja eiga.** Priešingu atveju yra pavojus, kad išjungimo metu prietaisas bus pažeistas arba, susidarius nepalankioms aplinkybėms, atsilaisvins grąžto griebtuvas.

5.3.3 Atsargus akumuliatorių prietaisų naudojimas ir elgesys su jais

- a) **Prieš įstatydami akumuliatorių įsitikinkite, kad prietaisas yra išjungtas.** Įstatant akumuliatorių į įjungtą elektrinį įrankį, gali įvykti nelaimingas atsitikimas.
- b) **Saugokite akumuliatorius nuo aukštos temperatūros ir ugnies.** Yra sprogimo pavojus.
- c) **Akumuliatorių negalima ardyti, spausti, kaitinti iki aukštesnės kaip 80 °C temperatūros arba deginti.** Priešingu atveju kyla gaisro, sprogimo ir nusideginimo cheminėmis medžiagomis pavojus.

- d) **Saugokite, kad į prietaisą neprisiskverbtų drėgmė.** Drėgmė gali sukelti trumpąjį jungimą, gaisrą ar nudegimus.
- e) **Naudokite tik turimam prietaisui skirtus akumulatorius.** Naudojant kitokius negu nurodyti akumulatorius arba šiuos akumulatorius naudojant kitais tikslais, kyla gaisro ir sprogo pavojus.
- f) **Atkreipkite dėmesį į specialiuosius ličio jonų akumuliatorių transportavimo, laikymo ir naudojimo nurodymus.**
- g) **Prietaisą laikykite ir transportuokite išėmę akumuliatorių.**
- h) **Saugokite, kad neužtrumpintumėte akumuliatorių paketo. Prieš dėdami akumuliatorių į prietaisą patikrinkite, ar ant prietaiso kontaktų ir akumuliatoriaus kontaktų nėra pašalinių daiktų.** Užtrumpinus akumuliatoriaus kontaktus, kyla gaisro, sprogo ir nusideginimo cheminėmis medžiagomis pavojus.
- i) **Pažeistų akumuliatorių (pavyzdžiui, įtrūkusių, su sulūžusiais, sulinkusiais, suspaustais ir/ arba ištrauktais kontaktais) neįkraukite ir nenaudokite.**
- j) Jeigu akumulatorius yra per karštas paimti į rankas, jis gali būti sugedęs. **Padėkite prietaisą nedegioje ir nuo degių medžiagų pakankamai nutolusioje vietoje, kurioje galėtumėte jį stebėti, ir leiskite atvėsti.** Kai akumulatorius atvės, kreipkitės į „Hilti“ techninį centrą.

lt

5.3.4 Apsauga nuo elektros



Prieš pradėdami dirbti, patikrinkite (pvz., naudodami metalo detektorius), ar darbo zonoje nėra uždengtų elektros laidų, dujų ir vandens vamzdžių. Netyčia pragręžus elektros kabelį, išorinėmis metalinėmis prietaiso dalimis gali pradėti tekėti elektros srovė. Dėl to kyla rimtas elektros smūgio pavojus.

5.3.5 Darbo vieta

- a) **Užtikrinkite, kad darbo vieta būtų gerai apšviesta.**
- b) **Pasirūpinkite, kad darbo vieta būtų gerai vėdinama.** Dėl prastai vėdinamoje darbo vietoje susidarančių dulkių gali pablogėti žmogaus sveikata.

5.3.6 Asmeninės apsaugos priemonės



Naudotojas ir šalia esantys asmenys darbo su prietaisu metu turi užsidėti tinkamus apsauginius akinius, apsauginį šalną, ausines, mūvėti apsaugines pirštines ir užsidėti lengvą respiratorių.

6 Prieš pradėdam naudotis



It

6.1 Atsargus akumuliatorių naudojimas

NURODYMAS

Esant žemai temperatūrai, akumuliatoriaus galia mažėja. Dirbkite tik su visiškai įkrautu akumuliatoriumi. Tada akumuliatoriaus atiduodama galia yra maksimali. Iškrautą akumuliatorių laiku pakeiskite į antrąjį akumuliatorių. Akumuliatorių tuoj pat įkraukite, kad turėtumėte pakeisti kitą kartą.

Akumuliatorių laikykite vėsioje ir sausoje vietoje. Akumuliatoriaus niekada nelaikykite saulėje, ant šildymo įrenginių arba už automobilio lango stiklo. Pasibaigus akumuliatorių naudojimo laikui, juos reikia saugiai utilizuoti pagal aplinkosaugos reikalavimus.

6.2 Akumulatoriaus įkrovimas



PAVOJUS

Naudokite tik numatytus „Hilti“ akumulatorius ir kroviklius, kurie nurodyti skyrelyje „Priedai“.

6.2.1 Pirmasis naujo akumulatoriaus įkrovimas

Prieš pirmąjį prietaiso naudojimą akumulatorius įkraukite pilnai.

6.2.2 Naudoto akumulatoriaus įkrovimas

Prieš įdėdami akumuliatorių į tinkamą kroviklį, įsitikinkite, kad jo išoriniai paviršiai yra sausi ir švarūs.

Informaciją apie įkrovimą rasite kroviklio naudojimo instrukcijoje.

Ličio jonų akumulatoriai yra parengti naudoti net ir iš dalies įkrauti.

It

6.3 Akumulatoriaus įdėjimas

ATSARGIAI

Prieš pradėdami naudoti akumuliatorių įsitikinkite, kad prietaisas yra išjungtas ir yra įjungtas nuo netikėto įsijungimo apsaugantis blokatorius (dešininis/kairinis perjungiklis turi būti vidurinėje padėtyje). Naudokite tik Jūsų prietaisui aprobuotus „Hilti“ akumulatorius.

ATSARGIAI

Prieš dėdami akumuliatorių į prietaisą patikrinkite, ar ant prietaiso kontaktų ir akumulatoriaus kontaktų nėra pašalinių daiktų.

1. Akumuliatorių į prietaisą kiškite iš priekio, kol jis girdimu spragtelėjimu užsifiksuos.
2. **ATSARGIAI** Krintantis akumulatorius gali sužaloti Jus ir kitus žmones. Patikrinkite, ar akumulatorius gerai užfiksuotas prietaise.

6.4 Akumulatoriaus išėmimas 2

1. Spauskite atblokavimo mygtuką.
2. Traukdami pirmyn, akumuliatorių išimkite iš prietaiso.

6.5 Akumuliatorių transportavimas ir laikymas

Prieš prietaisą transportuodami ir padėdami saugoti, akumuliatorių iš jo išimkite. Užtikrinkite, kad akumulatoriaus kontaktai nebūtų trumpai sujungti.

Iš lagamino, įrankių dėžės ar transportavimo konteinerio pašalinkite pabiras metalines dalis, pvz., varžtus, vinis, sąvaržas, sukimo antgalius, vielas ar metalo drožles, arba kitaip užtikrinkite, kad šios dalys jokiais atvejais nepaliestų akumuliatoriaus kontaktų.

Akumuliatorius siųsdami (automobilių kelių, geležinkelių, jūrų ar oro transportu), laikykitės galiojančių nacionalinių ir tarptautinių transportavimo taisyklių.

6.6 Diržo kablys 3

ATSARGIAI

Prieš pradėdami dirbti kontroliuokite, kad diržo kablys būtų patikimai pritvirtintas.

Naudodami diržo kablį, galite prietaisą pakabinti ant savo diržo. Kairiarankiai gali diržo kablį sumontuoti kitoje prietaiso pusėje.

1. Akumuliatorių išimkite iš prietaiso.
2. Tvirtinimo plokštelę įstatykite į jai skirtą kreipiančiąją.
3. Diržo kablį pritvirtinkite dviem varžtais.

7 Darbas



ATSARGIAI

Naudojimo metu prietaisas gali įkaisti. **Mūvėkite apsaugines pirštines.**

ATSARGIAI

Gręžiant ir sukant varžtus, prietaisas gali pakrypti į šoną.

ATSARGIAI

Kad išvengtumėte susižalojimo į asmenis, keisdami įrankį apsimaukite apsaugines pirštines.

7.1 Dešininio / kairinio sukimosi nustatymas 4

NURODYMAS

Dešininės / kairinės eigos perjungikliu galite pasirinkti įrankio veleno sukimosi kryptį. Kol variklis veikia, blokavimo įtaisas neleidžia perjungti jungiklio. Vidurinėje padėtyje valdymo jungiklis yra užblokuotas. Dešininės / kairinės eigos perjungiklį paspaudę į kairę (prietaiso veikimo kryptimi), nustatysite dešininę eigą. Dešininės / kairinės eigos perjungiklį paspaudę į dešinę (prietaiso veikimo kryptimi), nustatysite kairinę eigą.

7.2 Sukimosi greičių diapazono pasirinkimas 5

ĮSPĖJIMAS

Didelius, sunkius keičiamuosius įrankius leidžiama naudoti tik dirbant pirmąja eiga. Priešingu atveju yra pavojus, kad išjungimo metu prietaisas bus pažeistas arba, susidarius nepalankioms aplinkybėms, atsilaisvins grąžto griebtuvus.

NURODYMAS

Greičio pasirinkimo jungikliu galima pasirinkti sukimosi greičių diapazoną. Kai akumulatorius yra pilnai įkrautas, prietaisų SF 2-A / SFD 2-A sukimosi greičių diapazonai yra tokie: 1 greitis: 0–400 1/min, 2 greitis: 0–1500 1/min.

NURODYMAS

Greičio pasirinkimo jungiklis veikia tik tada, kai nesisuka variklis.

7.3 Įjungimas / išjungimas

Lėtai spausdami valdymo jungiklį, sukimosi greitį galite sklandžiai didinti iki pat maksimalios jo reikšmės.

lt

7.4 Įrankio keitimas

ATSARGIAI

Keisdami įrankį, mūvėkite apsaugines pirštines, nes besisukdamas įrankis įkaista.

Patikrinkite, ar įrankio kotas yra švarus. Jeigu reikia, kotą nuvalykite.

7.4.1 Įrankio keitimas prietaise SF 2-A

NURODYMAS

Prietaise yra greitojo fiksavimo griebtuvas, skirtas įvairiems įrankiams (pvz., grąžtams, sukimo antgaliams ir sukimo antgalių laikikliui) įtvirtinti.

7.4.1.1 Įrankio įdėjimas

1. Dešininės / kairinės eigos perjungiklį nustatykite į vidurinę padėtį arba išimkite iš prietaiso akumuliatorių.
2. Atidarykite greitojo fiksavimo grąžto griebtuvą.
3. Įstatykite įrankį į greitojo fiksavimo griebtuvą ir gerai priveržkite.
4. Patikrinkite, ar įrankis laikosi tvirtai.

7.4.1.2 Įrankio išėmimas

1. Dešininės / kairinės eigos perjungiklį nustatykite į vidurinę padėtį arba išimkite iš prietaiso akumuliatorių.
2. Atidarykite greitojo fiksavimo griebtuvą.

3. Ištraukite įrankį iš griebtuvo.

7.4.2 Įrankio keitimas prietaise SFD 2-A 6

NURODYMAS

Prietaise yra 1/4" šešiabriaunė anga su fiksavimo įvore, skirta įvairiems įrankiams (pvz., gražtams, sukimo antgaliams ir sukimo antgalių laikikliui) įtvirtinti.

7.4.2.1 Įrankio įdėjimas

1. Dešininės / kairinės eigos perjungiklį nustatykite į vidurinę padėtį arba išimkite iš prietaiso akumuliatorių.
2. Šešiabriaunės angos fiksavimo įvorę pastumkite pirmyn ir laikykite šioje padėtyje.
3. Įrankį stumkite į šešiabriaunę angą kol atsirems, tada fiksavimo įvorę paleiskite.
4. Patikrinkite, ar įrankis laikosi tvirtai.

7.4.2.2 Įrankio išėmimas

1. Dešininės / kairinės eigos perjungiklį nustatykite į vidurinę padėtį arba išimkite iš prietaiso akumuliatorių.
2. Šešiabriaunės angos fiksavimo įvorę pastumkite pirmyn ir laikykite šioje padėtyje.
3. Įrankį ištraukite iš šešiabriaunės angos, tada fiksavimo įvorę paleiskite.

7.5 Gręžimas

ATSARGIAI

Apdirbamiems ruošiniams įtvirtinti naudokite spaustuvus arba veržtuvus. Taip saugiau, nei laikyti juos rankomis, be to, laisvomis rankomis galėsite tinkamai naudotis prietaisu.

1. Pasukite sukimo momento ir gręžimo nustatymo žiedą į gręžimo simboliu pažymėtą padėtį.
2. Dešininės / kairinės eigos perjungiklį nustatykite į dešinio sukimosi padėtį.

7.6 Varžtų sukimas

1. Sukimo momento ir gręžimo nustatymo žiedu pasirinkite norimą sukimo momentą.
2. Dešininės / kairinės eigos perjungikliu pasirinkite norimą sukimosi kryptį.

7.7 Ličio jonų akumulatoriaus įkrovos lygio indikacijos vertinimas 7

NURODYMAS

Veikimo metu įkrovos lygio įvertinti negalima.

NURODYMAS

Akumuliatorių įdedant į prietaisą, gali trumpam įsižiebtį įkrovos lygio indikacijos LED.

Ličio jonų akumulatorius turi įkrovos lygio indikatorių. Kai prietaisas neveikia, paspaudus akumulatoriaus atblokavimo mygtuką, akumulatoriaus įkrovos lygį rodo keturi šviesos diodai.

8 Techninė priežiūra ir remontas

ATSARGIAI

Prieš valydami ištraukite akumuliatorių tam, kad išvengtumėte netyčinio prietaiso įsijungimo!

8.1 Įrankių priežiūra

It Nuvalykite bet kokius nešvarumus, prilipusius prie įstatomų įrankių paviršiaus. Norėdami apsaugoti juos nuo korozijos, kartais patrinkite juos alyvoje suvilgyta medžiagos skiaute.

8.2 Prietaiso priežiūra

ATSARGIAI

Prietaisas, ypač jo rankenų paviršiai, visada turi būti sausi, švarūs, nesutepti alyva ar tirštu tepalu. Nenaudokite priežiūros priemonių, kurių sudėtyje yra silikono.

Išorinis korpusas pagamintas iš smūgiams atsparaus plastiko. Rankenos pagamintos iš elastomero.

Nenaudokite prietaiso, jei jo vėdinimo angos yra užsikimšusios! Vėdinimo angas atsargiai išvalykite sausu šepetėliu. Saugokite prietaisą, kad į jį nepatektų svetimkūnių. Prietaiso išorę reguliariai valykite sudrėkinta šluoste. Valymui nenaudokite purkštuvo, aukšto slėgio garų įrangos arba tekančio vandens! Priešingu atveju prietaisas gali tapti nesaugus naudoti elektrosaugos požiūriu.

8.3 Ličio jonų akumuliatorių priežiūra

Saugokite, kad į vidų nepatektų drėgmės.

Prieš pradėdami eksploatuoti akumuliatorius visiškai įkraukite.

Norėdami pasiekti maksimalų akumulatoriaus tarnavimo laiką, įkraukite jį iš karto pastebėję, kad akumulatoriaus galia stipriai sumažėjo.

NURODYMAS

Jei prietaisas naudojamas toliau, jis išjungiamas automatiškai, kad nebūtų pažeidžiamos akumulatoriaus sekcijos.

Akumulatorius įkraukite „Hilti“ krovikliais, skirtais ličio jonų akumulatoriams.

NURODYMAS

- Šiems akumulatoriams nereikia atlikti atnaujinamojo įkrovimo, kaip NiCd arba NiMH akumulatoriams.
- Krovimo proceso pertraukimas neturi įtakos akumuliatorių ilgaamžiškumui.
- Pradėti krauti galima bet kada, ir tai neturi įtakos akumulatoriaus ilgaamžiškumui. Šiuose akumulatoriuose nėra atminties efekto, kaip NiCd arba NiMH akumulatoriuose.
- Akumulatorius geriausia laikyti visiškai įkrautus vėsioje ir sausoje vietoje. Akumuliatorių nelaikyti ten, kur aplinkos temperatūra yra aukšta (pvz., už lango stiklo), nes tai turi neigiamos įtakos jų ilgaamžiškumui ir skatina savaiminį sekcijų išsikrovimą.
- Jei akumulatorius pilnai nebeįsikrauna, jo talpa dėl senėjimo arba per didelės apkrovos yra sumažėjusi. Šį akumuliatorių naudoti dar galima. Tačiau šį akumuliatorių netrukus reikėtų pakeisti į naują.

It

8.4 Priežiūra

ĮSPĖJIMAS

Elektrinės prietaiso dalis leidžiama remontuoti tik kvalifikuotiems elektrikams.

Reguliariai tikrinkite, ar visos išorinės prietaiso dalys nepažeistos ir ar visi valdymo elementai veikia tinkamai. Nenaudokite prietaiso, jei jo dalys pažeistos arba valdymo elementai funkcionuoja netinkamai. Atiduokite prietaisą remontuoti į „Hilti“ techninį centrą.

8.5 Patikra atlikus priežiūros ir remonto darbus

Atlikus priežiūros ir remonto darbus, būtina patikrinti, ar sumontuoti ir ar veikia visi apsauginiai įtaisai.

9 Gedimų aptikimas

Gedimas	Galima priežastis	Gedimo šalinimas
Prietaisas neveikia.	Akumulatorius netinkamai įstatytas arba yra išsekęs.	Fiksuojant akumuliatorių turi pasigirsti spragtelėjimas arba akumuliatorių reikia įkrauti.

Gedimas	Galima priežastis	Gedimo šalinimas
Prietaisas neveikia.	Elektros tiekimo gedimas.	Išimkite akumuliatorių iš prietaiso ir kreipkitės į „Hilti“ techninės priežiūros centrą.
Jungiklio negalima paspausti arba jis yra užblokuotas.	Dešininės / kairinės eigos perjungiklis yra nustatytas į vidurinę (transportavimo) padėtį.	Dešininės / kairinės eigos perjungiklį paspausti į kairę arba į dešinę.
Akumuliatorius išsikrauna greičiau nei paprastai.	Akumuliatoriaus būklė nėra optimali.	Diagnozuoti „Hilti“ techniniame centre arba pakeisti akumuliatorių.
Akumuliatorius neužsifiksuoja ir nepasigirsta spragtelėjimas.	Akumuliatoriaus fiksatoriai yra nešvarūs.	Fiksatorius nuvalyti ir akumuliatorių užfiksuoti. Jei problemos išspręsti nepavyksta, kreiptis į „Hilti“ techninės priežiūros centrą.
Prietaisas arba akumuliatorius per daug įkaista.	Elektrinis gedimas.	Nedelsdami išjunkite prietaisą, ištraukite iš jo akumuliatorių ir kreipkitės į „Hilti“ techninės priežiūros centrą.
	Prietaisas yra perkrautas (viršyta nurodyta apkrova).	Pasirinkite prietaisą pagal naudojimo sritį.

10 Utilizacija

ATSARGIAI

Jei įranga utilizuojama netinkamai, gali kilti šie pavojai: degant plastikams susidaro nuodingos, žmogaus sveikatai kenkiančios dujos; pažeisti ar labai įkaitę maitinimo elementai gali sprogti ir apnuodyti, sudirginti, nudeginti odą arba užteršti aplinką; lengvabūdiškai ir neapgalvotai utilizuodami sudarote sąlygas neįgaliesiems asmenims naudoti įrangą ne pagal taisykles. Dėl išvardytų priežasčių galite smarkiai susižaloti ir Jūs patys, ir kiti asmenys arba gali būti padaryta žalos aplinkai.

ATSARGIAI

Sugedusį akumuliatorių utilizuokite nedelsdami. Saugokite jį nuo vaikų. Akumuliatoriaus neardykite ir nedeginkite.

ATSARGIAI

Akumulatorius utilizuokite vadovaudamiesi šalyje galiojančiais teisės aktais arba grąžinkite seną akumuliatorių „Hilti“ techninės priežiūros skyriui.



Didelė „Hilti“ prietaisų dalis pagaminta iš medžiagų, kurias galima perdirbti antrą kartą. Būtina antrinio perdirbimo sąlyga yra tinkamas medžiagų išrūšiavimas. Daugelyje šalių „Hilti“ jau turi atstovybes, kuriose priimami seni prietaisai. Pasiteiraukite dėl to „Hilti“ klientų aptarnavimo centre arba pardavimo atstovybėje.



Tik ES valstybėms

Neišmeskite elektrinių įrankių į buitinius šiukšlynus!

Laikantis Europos direktyvos dėl naudotų elektros ir elektronikos prietaisų ir sprendimo dėl jos įtraukimo į nacionalinius teisės aktus, naudotus elektrinius įrankius būtina surinkti atskirai ir pateikti antriniam perdirbimui pagal aplinkosaugos reikalavimus.

it

11 Prietaiso gamintojo teikiama garantija

Jeigu turite klausimų dėl garantinio aptarnavimo sąlygų, kreipkitės į vietinį „HILTI“ prekybos partnerį.

12 EB atitikties deklaracija (originali)

Pavadinimas:	Akumulatorinis gręžtuvas-suktuvus
Tipas:	SF 2-A/SFD 2-A
Karta:	01
Pagaminimo metai:	2013

Prisiimdami visą atsakomybę pareiškiame, kad šis gaminys atitinka šių direktyvų ir normų reikalavimus: 2006/42/EB, 2004/108/EB, 2006/66/EG, 2011/65/ES, EN 60745-1, EN 60745-2-1, EN 60745-2-2, EN ISO 12100.



Paolo Luccini
Head of BA Quality and Process Management
Business Area Electric Tools & Accessories
03/2014



Tassilo Deinzer
Executive Vice President
Business Unit Power Tools & Accessories
03/2014

Techninė dokumentacija saugoma:

Hilti Entwicklungsgesellschaft mbH
Zulassung Elektrowerkzeuge
Hiltistrasse 6
86916 Kaufering
Deutschland

ALGUPÄRANE KASUTUSJUHEND

Akutrell-kruvikeeraja SF 2-A/SFD 2-A

Enne seadme esmakordset kasutamist lugege tingimata läbi käesolev kasutusjuhend.

Kasutusjuhend peab olema alati seadme juures.

Juhend peab jääma seadme juurde ka siis, kui annate seadme edasi teistele isikutele.

Sisukord

1	Üldised juhised	252
2	Kirjeldus	254
3	Tarvikud, lisavarustus	255
4	Tehnilised andmed	256
5	Ohutusnõuded	257
6	Kasutuselevõtt	263
7	Töötamine	265
8	Hooldus ja korrashoid	268
9	Veaotsing	269
10	Utiliseerimine	270
11	Tootja garantii seadmetele	271
12	EÜ-vastavusdeklaratsioon (originaal)	271

1 Numbrid viitavad vastavatele joonistele. Joonised leiate kasutusjuhendi lahtivolditavalt ümbriselt. Kasutusjuhendi lugemise ajal hoidke ümbris avatuna.

Käesolevas kasutusjuhendis tähistab sõna »seade« alati integreeritud akuga akutrell-kruvikeerajat SF 2-A või SFD 2-A.

Seadme osad, juhtdetailid ja näidikud **1**

- ① Kiirkinnituspadrun (SF 2-A)
- ② Pöördemomendi ja puurimise regulaator
- ③ Käigulüliti
- ④ Lukustushülsiga sisekuuskant (SFD 2-A)

- ⑤ Reverslülit

- ⑥ Käepide

- ⑦ Lamp

- ⑧ Vööklamber (lisana)

- ⑨ Aku laetuse astme indikaator

- ⑩ Vabastusklahv

- ⑪ Juhtlülit (pöörete arvu elektroonilise juhtimisega)

1 Üldised juhised

1.1 Märksõnad ja nende tähendus

OHT

Viidatakse vahetult ähvardavatele ohtudele, millega kaasnevad rasked kehalised vigastused või inimeste hukkumine.

HOIATUS

Viidatakse võimalikele ohtlikele olukordadele, millega võivad kaasneda rasked kehalised vigastused või inimeste hukkumine.

et

ETTEVAATUST

Viidatakse võimalikele ohtlikele olukordadele, millega võivad kaasneda kerged kehalised vigastused või varaline kahju.

JUHIS

Soovitusi seadme kasutamiseks ja muu kasulik teave.

1.2 Piltsümbolite selgitus ja täiendavad juhised

Hoiatavad märgid



Üldine hoiatus



Ettevaatust: elekter



Ettevaatust:
söövitavad ained

Kohustavad märgid



Kandke kaitseprille



Kandke kaitsekiivrit



Kandke kuulmiskaitsevahendeid



Kandke kaitsekindaid



Kandke kergelt hingamisteede kaitsemaski

Sümbolid



Enne kasutamist lugege kasutusjuhendit.



volt



Alalisvool



Tühikäigupöörded

et



pööret minutis



Löögita puurimine



Jäätmed suunata ümbertöötlusse

Identifitseerimisandmete koht seadmel

Tüübitähis on toodud seadme andmesildil, mis on kinnitatud seadme tallale, seerianumber paikneb korpuse küljel. Märkige need andmed käesolevasse kasutusjuhendisse ning tehke teatavaks alati, kui pöördute Hilti müügiesindusse või hooldekeskusse.

Tüüp:

Generatsioon: 01

Seerianumber:

2 Kirjeldus

2.1 Nõuetekohane kasutamine

SF 2-A ja SFD 2-A on käsitsi juhitavad akutrell-krivikeerajad kruvide keeramiseks terasesse, puitu ja plasti ning nimetatud materjalide puurimiseks.

Seadmega ei tohi töödelda tervisele ohtlikke materjale (nt asbesti).

Akude kasutamine teiste seadmete toiteallikana on keelatud.

Seadme modifitseerimine ja ümberkujundamine on keelatud.

Vigastuste vältimiseks kasutage ainult Hilti originaaltarvikuid.

Pidage kinni kasutusjuhendis toodud kasutus- ja hooldusjuhistest.

Seade on ette nähtud professionaalseks kasutuseks ja ja seda tohivad kasutada, hooldada ja parandada üksnes vastava volituse ja väljaõppega isikud. Kasutajatel peab olema ohutusalane eriettevalmistus. Seade ja sellega ühendatavad abitööriistad võivad osutada ohtlikuks, kui neid ei kasutata nõuetekohaselt või kui nendega töötab spetsiaalse ettevalmistuseta isik.

Töökeskkonnaks võib olla ehitusplats või töökoda ning tööd võivad hõlmata renoveerimis-, ümberehitus- või uusehitustöid.

2.2 Padrun

et Kiirkinnituspadrun mudelile SF 2-A ja sisekuuskant mudelile SFD 2-A.

2.3 Lülitid

Pöörete arvu elektroonilise reguleerimisega juhtlülitid

Käigulülitid

Sisselülitustökisega reverslülitid

Pöördemomendi ja puurimise regulaatorid

2.4 Käepide

Vibratsiooni summutav käepide

2.5 Kohvrise pakitud tarnekomplekti kuulub:

1 Seade

1 Kasutusjuhend

1 Hilti kohver

2.6 Kartongpakendisse pakitud tarnekomplekti kuulub:

1 Seade

1 Kasutusjuhend

2.7 Seadmega töötamiseks on lisaks vajalik:

Aku B 12/2.6 Li-Ion ja akulaadija C4/12-50.

2.8 Li-ioon-aku laetuse astme indikaator

Pidev LED-tuli	Vilkuv LED-tuli	Laetuse aste C
LED-tuled 1, 2, 3, 4	-	$C \geq 75 \%$
LED-tuled 1, 2, 3	-	$50 \% \leq C < 75 \%$
LED-tuled 1, 2	-	$25 \% \leq C < 50 \%$
LED-tuli 1	-	$10 \% \leq C < 25 \%$
-	LED-tuli 1	$C < 10 \%$

2.9 Ülekoormus- ja ülekuumenemiskaitse

Seadmel on elektrooniline ülekoormus- ja ülekuumenemiskaitse. Ülekoormuse ja ülekuumenemise korral lülitub seade automaatselt välja. Kui juhtlüliti vabastada ja uuesti sisse vajutada, võib sisselülitumine toimuda nihkega (seadme jahtumisaasid).

JUHIS

Aku LED-tuled ei näita ülekoormust või ülekuumenemist.

et

3 Tarvikud, lisavarustus

Tähistus	Tähis
Akulaadija liitiumioonakudele	C 4/12-50
Aku	B 12/2.6 Li-Ion
Vööklamber (lisana)	

Tähistus	Kirjeldus
Kiirkinnutuspadrunitse kinnitatava tarviku läbimõõt	$\varnothing 0,8 \dots 10 \text{ mm}$
Puuri läbimõõt (pehmes) puidus	$\varnothing 0,8 \dots 14 \text{ mm}$
Puuri läbimõõt (kõvas) puidus	$\varnothing 0,8 \dots 10 \text{ mm}$
Puuri läbimõõt metallis	$\varnothing 0,8 \dots 6 \text{ mm}$
Puidukruvid (max pikkus 80 mm)	$\varnothing 3 \dots 6 \text{ mm}$

4 Tehnilised andmed

Tootja jätab endale õiguse tehniliste andmete muutmiseks!

Seade	SF 2-A	SFD 2-A
Nimipinge (alalispinge)	10,8 V	10,8 V
Kaal EPTA-Procedure 01/2003 kohaselt	1,1 kg	1,0 kg
Pöörete arv 1. käigul (B 12/2.6)	0...400/min	0...400/min
Pöörete arv 2. käigul (B 12/2.6)	0...1500/min	0...1500/min
Pöördemoment (nõrk kruvikeeramisrežiim) reguleeritud puurimis-sümbolile	max 12 Nm	max 12 Nm
Pöördemomendi sea-distus (15 astet)	0,5...3,5 Nm	0,5...3,5 Nm

JUHIS

et

Käesolevas kasutusjuhendis toodud vibratsioonitase on mõõdetud standardile EN 60745 vastaval mõõtemetodil ja seda saab kasutada seadmete omavaheliseks võrdlemiseks. See sobib ka vibratsiooni esialgseks hindamiseks. Toodud vibratsioonitase esineb seadme nõuetekohasel kasutamisel. Kui aga seadet kasutatakse muul otstarbel, teiste tarvikutega või kui seade on ebapiisavalt hooldatud, võib vibratsioonitase toodust kõrvale kalduda. See võib vibratsiooni töö koguperioodi lõikes tunduvalt suurendada. Vibratsiooni täpseks hindamiseks tuleb arvesse võtta ka aega, mil seade oli välja lülitatud või küll sisse lülitatud, kuid tegelikult tööle rakendamata. See võib vibratsiooni töö koguperioodi lõikes tunduvalt vähendada. Seadme kasutaja kaitseks vibratsiooni toime eest rakendage täiendavaid kaitseabinõusid, näiteks hooldage seadmeid ja tarvikuid korralikult, hoidke käed soojad, tagage sujuv töökorraldus.

Andmed müra ja vibratsiooni kohta (vastavalt standardile EN 60745):

A-filtriga korrigeeritud helivõimsus 75 dB (A)

udelitel SF 2-A/SFD 2-A

A-filtriga korrigeeritud helirõhk mu- 64 dB (A)

delitel SF 2-A/SFD 2-A

Mõõtemääramatus nimetatud müra- 3 dB (A)
tasemete puhul

Vibratsioonitase kolmel teljel (vibratsiooni-vektorsumma)	mõõdetud vastavalt standardile EN 60745-2-2
Mudelitel SF 2-A/SFD 2-A: Löögita kruvikeeramine, a_h	0,5 m/s ²
Mõõtemääramatus (K)	1,5 m/s ²

Vibratsioonitase kolmel teljel (vibratsiooni-vektorsumma)	mõõdetud vastavalt standardile EN 60745-2-1
Mudelitel SF 2-A/SFD 2-A: Metallipuurimine, $a_{h,D}$	1,9 m/s ²
Mõõtemääramatus (K) kolmel teljel esineva vibratsiooni puhul	1,5 m/s ²

Aku	B 12/2.6 Li-Ion
Nimipinge	10,8 V
Mahtuvus	2,6 Ah
Energiasisaldus	28,08 Wh
Kaal	0,24 kg
Temperatuurikontroll	jah
Akuelementide tüüp	liitiumioon
Elementide plokk	3 tk

et

5 Ohutusnõuded

JUHIS

Punktis 5.1 esitatud ohutusnõuded sisaldavad kõiki elektriliste tööriistade suhtes kehtivaid üldisi ohutusnõudeid, mille loetlemine kasutusjuhendis on ette nähtud kohaldatavate normidega. Nende hulgas võib siiski olla ka nõudeid, mis ei ole käeoleva seadme puhul asjakohased.

5.1 Üldised ohutusnõuded elektriliste tööriistade kasutamisel

a) HOIATUS

Lugege läbi kõik ohutusnõuded ja juhised. Alltoodud ohutusnõuete eiramise tagajärjeks võib olla elektrilöökk, tulekahju ja/või rasked vigastused. **Hoidke kõik ohutusnõuded ja juhised edaspidiseks kasutamiseks alles.** Järgnevalt kasutatud mõiste "elektriline tööriist" käib võrgutoitega (toitejuhtmega) elektriliste tööriistade ja akutoitega (ilma toitejuhtmega) elektriliste tööriistade kohta.

5.1.1 Ohutus töökohal

- a) **Hoidke oma töökoht puhas ja valgustage seda korralikult.** Korrastamata ja valgustamata töökoht võib põhjustada õnnetusi.
- b) **Ärge kasutage seadet plahvatusohtlikus keskkonnas, kus leidub tuleohtlikke vedelikke, gaase või tolmu.** Elektrilistest tööriistadest lööb sädemeid, mis võivad tolmu või aurd süüdata.
- c) **Elektrilise tööriista kasutamise ajal hoidke lapsed ja teised isikud töökohast eemal.** Kui Teie tähelepanu juhitakse kõrvale, võib seade Teie kontrolli alt väljuda.

5.1.2 Elektriohutus

- a) **Seadme pistik peab pistikupesasse sobima. Pistiku kallal ei tohi teha mingeid muudatusi. Kaitsemaandusega seadmete puhul ei tohi kasutada adapterpistikuid.** Muutmata pistikud ja sobivad pistikupesad vähendavad elektrilöögi ohtu.
- b) **Vältige kehalist kontakti maandatud pindadega, näiteks torude, radiaatorite, pliitide ja külmikutega.** Kui Teie keha on maandatud, on elektrilöögi oht suurem.
- c) **Kaitske seadet vihma ja niiskuse eest.** Kui elektriseadmesse on sattunud vett, on elektrilöögi oht suurem.
- d) **Ärge kasutage toitejuhet seadme kandmiseks, ülesriputamiseks ega pistiku pistikupesast väljatõmbamiseks. Kaitske toitejuhet kuumuse, õli, teravate servade ja seadme liikuvate osade eest.** Kahjustatud või keerduläinud toitejuhtmed suurendavad elektrilöögi ohtu.
- e) **Kui töötate elektrilise tööriistaga vabas õhus, kasutage ainult pikendusjuhtmeid, mis on ette nähtud kasutamiseks ka välistingimustes.** Välistingimustes kasutamiseks ettenähtud pikendusjuhtme kasutamine vähendab elektrilöögi ohtu.
- f) **Kui seadmega töötamine niiskes keskkonnas on vältimatu, kasutage rikkevoolukaitselüliti.** Rikkevoolukaitselüliti kasutamine vähendab elektrilöögi ohtu.

5.1.3 Inimeste turvalisus

- a) **Olge tähelepanelik, jälgige, mida Te teete, ning toimige elektrilise tööriistaga töötades kaalutletult. Ärge kasutage seadet, kui olete väsinud või uimastite, alkoholi või ravimite mõju all.** Hetkeline tähelepanematus seadme kasutamisel võib põhjustada raskeid vigastusi.
- b) **Kandke isikukaitsevahendeid ja alati kaitseprille.** Isikukaitsevahendite, näiteks tolumumaski, libisemiskindlate turvajalatsite, kaitsekiivri või kuulmiskaitsevahendite kandmine – sõltuvalt elektrilise tööriista tüübist ja kasutusala – vähendab vigastuste ohtu.

- c) **Vältige seadme tahtmatut käivitamist. Enne seadme ühendamist vooluvõrguga ja/või seadmesse aku paigaldamist, seadme ülestõstmist ja kandmist veenduge, et seade on välja lülitatud.** Kui hoiate seadme kandmisel sõrme lülitiil või ühendate vooluvõrku sisselülitatud seadme, võib tagajärjeks olla õnnetus.
- d) **Enne seadme sisselülitamist eemaldage selle küljest reguleerimis- ja nutrivõtmed.** Seadme pöörleva osa küljes olev reguleerimis- või nutrivõti võib põhjustada vigastusi.
- e) **Vältige ebatavalist töösensidit. Võtke stabiilne töösensid ja säilitage kogu aeg tasakaal.** Nii saate seadet ootamatutes olukordades paremini kontrollida.
- f) **Kandke sobivat rõivastust. Ärge kandke laiu riideid ega ehteid. Hoidke juuksed, rõivad ja kindad seadme liikuvatest osadest eemal.** Lotendavad riided, ehted ja pikad juuksed võivad sattuda seadme liikuvate osade vahele.
- g) **Kui seadme külge on võimalik paigaldada tolmueemaldus- ja kogumisseadiseid, veenduge, et need on seadmega ühendatud ja et neid kasutatakse nõuetekohaselt.** Tolmueemaldusseadise kasutamine võib vähendada tolmu taset ohtude olemasolevat.

5.1.4 Elektrilise tööriista kasutamine ja käsitsemine

et

- a) **Ärge koormake seadet üle. Kasutage antud töö tegemiseks sobivat elektrilist tööriista.** See töötab ettenähtud jõudluspiirides tõhusamalt ja ohutumalt.
- b) **Ärge kasutage elektrilist tööriista, mille lüliti on rikkis.** Elektriline tööriist, mida ei saa enam lüliti korralikult sisse ja välja lülitada, on ohtlik ning tuleb viia parandusse.
- c) **Enne mis tahes seadistusteid seadme kallal, tarvikute vahetust ja seadme hoiulepanekut tõmmake pistik pistikupesast välja ja/või eemaldage seadmest aku.** See ettevaatusabinõu väldib seadme tahtmatut käivitamist.
- d) **Kasutusvälisel ajal hoidke elektrilise tööriista lastele kättesaamatus kohas. Ärge laske seadet kasutada isikutel, kes seda ei tunne või pole siintoodud juhiseid lugenud.** Asjatundmatute isikute käes on elektrilised tööriistad ohtlikud.
- e) **Hooldage elektrilise tööriista korralikult. Kontrollige, kas seadme liikuvad detailid töötavad veatult ega kiilu kiini. Veenduge, et seadme detailid ei ole murdunud või kahjustatud määral, mis mõjutab seadme töökindlust. Laske kahjustatud osad enne seadme kasutamist parandada.** Ebapiisavalt hooldatud elektrilised tööriistad on põhjustanud palju tööõnnetusi.

- f) **Hoidke löiketarvikud teravad ja puhtad.** Hästi hooldatud, teravate löikeservadega löiketarvikud kiiluvad harvemini kinni ja neid on lihtsam juhtida.
- g) **Kasutage elektrilist tööriista, tarvikuid, lisaseadmeid vastavalt käesolevatele juhistele. Arvestage seejuures töötingimuste ja teostatava töö iseloomuga.** Elektriliste tööriistade kasutamine otstarbel, milleks need ei ole ette nähtud, võib põhjustada ohtlikke olukordi.

5.1.5 Akuga tööriista kasutamine ja käsitsemine

- a) **Laadige akusid ainult tootja poolt soovitatud akulaadijatega.** Kui teatud tüüpi aku laadimiseks ettenähtud akulaadijat kasutatakse teiste akude laadimiseks, tekib tulekahju oht.
- b) **Kasutage elektrilistes tööriistades ainult ettenähtud akusid.** Teiste akude kasutamine võib põhjustada vigastusi ja põlengu ohtu.
- c) **Kasutusvälisel ajal hoidke akud eemal kirjaklambritest, müntidest, võtmetest, naeltest, kruvidest ja teistest väikestest metallesemetest, mis võivad aku kontaktid omavahel ühendada.** Akukontaktide vahel tekkiv lühis võib põhjustada tulekahju või põletusi.
- d) **Väärkasutuse korral võib akuvedelik akust välja voolata. Vältige sellega kokkupuudet. Juhusliku kokkupuute korral loputage kahjustatud kohta veega. Kui vedelik satub silma, pöörduge lisaks arsti poole.** Väljavoolav akuvedelik võib põhjustada nahaärritusi või põletusi.

et

5.1.6 Hooldus

- a) **Laske seadet parandada ainult kvalifitseeritud spetsialistidel, kes kasutavad originaalvaruosi.** Nii on tagatud elektrilise tööriista ohutuse säilimine.

5.2 Ohutusnõuded puurtrellide kasutamisel

- a) **Löökpuurimisel kasutage kuulmiskaitsevahendeid.** Müra võib kahjustada kuulmist.
- b) **Kasutage tarnekomplekti kuuluvaid lisakäepidemeid.** Kontrolli kaotus seadme üle võib põhjustada vigastusi.
- c) **Kui teete töid, mille puhul võib tarvik tabada varjatud elektrijuhtmeid, hoidke seadet isoleeritud haardepinnast.** Kokkupuude pingetatud elektrijuhtmega võib seada pinge alla ka seadme metalldetailid ja põhjustada elektrilöögi.

5.3 Täiendavad ohutusnõuded

5.3.1 Inimeste ohutus

- a) **Kui teete töid, mille puhul võib kruvi tabada varjatud elektrijuhet, hoidke seadet isoleeritud haardepinnast.** Kokkupuude pingestatud elektrijuhtmega võib seada pinge alla ka seadme metalldetailid ja põhjustada elektrilöögi.
- b) **Hoidke seadet ettenähtud käepidemetest alati kahe käega. Hoidke käepidemed kuivad, puhtad ja vabad õlist ja rasvast.**
- c) **Töötamise ajal tehke pause ning lõdvestage käsi ja sõrmi, et parandada sõrmede verevarustust.**
- d) **Vältige kokkupuudet pöörlevate osadega. Lülitage seade sisse alles tööpiirkonnas.** Kokkupuude seadme pöörlevate osadega, eriti pöörlevate tarvikutega, võib põhjustada vigastusi.
- e) **Enne seadme hoiulepanekut või transportimist aktiveerige sisselülitustõkis (seadke reverslüli keskasendisse).**
- f) **Lapsed ja isikud, kellel puuduvad vajalikud võimed ja oskused, ei tohi seadet ilma eelneva juhendamiset kasutada.**
- g) **Lastele tuleb selgitada, et seadmega mängimine on keelatud.**
- h) **Pliisisaldusega värvide, teatud liiki puidu, mineraalide ja metalli tolm võib kahjustada tervist. Tolmuga kokkupuude või tolmu sissehingamine võib seadme kasutajal või läheduses viibivatel isikutel põhjustada allergilist reaktsiooni ja/või hingamisteede haigusi. Teatud tüüpi tolm, näiteks tamme- või pöögitolm, võib tekitada vähki, eriti koosmõjus puidutöötlemisel kasutatavate lisaainetega (kromaat, puidukaitsevahendid). Asbesti sisaldavat materjali tohivad töödelda üksnes asjaomase väljaõppega asjatundjad. Võimaluse korral kasutage tolmuimejat. Tõhusa tolmuemalduse tagamiseks kasutage puidu ja mineraalsete materjalide tolmu imemiseks ette nähtud Hilti mobiilset tolmuimejat, mis on elektrilise tööriistaga kohandatud. Tagage tööpiirkonnas hea ventilatsioon. Soovitav on kasutada filtriklassi P2 kuuluvat hingamisteedemaski. Järgige kasutusriigis materjalide töötlemise suhtes kehtivaid eeskirju.**

et

5.3.2 Elektriliste tööriistade hoolikas käsitsemine ja kasutamine

- a) **Kinnitage töödeldav detail korralikult. Kasutage töödeldava detaili kinnitamiseks kinnitusvahendeid või pitskruvi.** Nii püsib seade kindlamalt paigal kui käega hoides, samuti jäävad nii mõlemad käed seadmega töötamiseks vabaks.
- b) **Veenduge, et kasutatavad tarvikud seadme padrunisüsteemiga sobivad ja on tarvikukinnitusse nõuetekohaselt kinnitatud.**

- c) **Suuri ja raskeid tarvikuid tohib kasutada üksnes esimesel käigul.** Vastasel korral võib tööriist väljalülitamisel kahjustada saada, samuti võib padrun ebasoodsate tingimuste korral lõdveneda ja lahti tulla.

5.3.3 Akutööriistade hoolikas käsitlemine ja kasutamine

- a) **Enne aku paigaldamist veenduge, et seade on välja lülitatud.** Aku paigaldamine sisselülitatud seadmesse võib põhjustada õnnetusi.
- b) **Kaitske akusid kõrgete temperatuuride ja tule eest.** Esineb plahvatusoht.
- c) **Akusid ei tohi lahti võtta, muljuda, kuumutada üle 80°C ega põletada.** Vastasel korral tekib põlengu-, plahvatus- ja söövitusoht.
- d) **Vältige niiskuse sissetungimist.** Sissetunginud niiskus võib põhjustada lühist ja tulekahju.
- e) **Kasutage üksnes vastava seadme jaoks ette nähtud akusid.** Teiste akude kasutamisel ja akude kasutamisel muuks otstarbeks tekib põlengu- ja plahvatusoht.
- f) **Pidage kinni Li-ioon-akude transpordi, säilitamise ja kasutamise suhtes kehtivatest erijuhistest.**
- g) **Enne seadme hoiulepanekut ja transporti eemaldage seadmest aku.**
- et h) **Vältige aku lühistamist. Enne aku asetamist seadmesse veenduge, et aku ja seadme kontaktid on vabad võõrkehadest.** Aku kontaktide lühistamise korral tekib tulekahju, plahvatus ja söövituse oht.
- i) **Kahjustatud akusid (nt pragudega, murdunud osadega, kõverdunud, sisselükatud või väljatõmmatud kontaktidega akusid) ei tohi ei laadida ega edasi kasutada.**
- j) Kui aku on puudutamiseks liiga kuum, võib aku olla defektne. **Asetage seade tulekindlasse kohta ja süttivatest materjalidest piisavalt kaugemale, nii et seade oleks veel Teie vaateväljas, ja laske seadmel jahutada. Kui aku on jahtunud, pöörduge Hilti hooldekeskusesse.**

5.3.4 Elektriohutus



Kontrollige tööpiirkond enne töö alustamist üle metalliotsijaga, et leida varjatud elektrijuhtmeid, gaasi- või veetorusid. Pingestatud elektrijuhtme vigastamisel võivad seadme välised metallosad pinge alla sattuda. See tekitab tõsise elektrilöögi ohu.

5.3.5 Töökoht

- Tööpiirkond peab olema hästi valgustatud.**
- Tööpiirkonnas peab olema hea ventilatsioon.** Halva ventilatsiooniga tööpiirkonda võib koguneda tervistkahjustavat tolmu.

5.3.6 Isikukaitsevahendid



Kasutaja ja läheduses viibivad isikud peavad seadme kasutamisel ja tõrgete kõrvaldamisel kandma sobivaid kaitseprille, kaitsekiivrit, kuulmis- kaitsevahendeid, kaitsekindaid ja kergest hingamisteede kaitsemaski.

et

6 Kasutuselevõtt



6.1 Aku hoolikas käsitlemine

JUHIS

Madalatel temperatuuridel aku jõudlus langeb. Töötage üksnes täielikult laetud akuga. See võimaldab aku jõudlust täielikult ära kasutada. Vahetage aku õigeaegselt teise aku vastu. Laadige aku kohe uuesti täis, et saaksite seda vajaduse korral taas kasutada.

Hoidke akut võimalikult jahedas ja kuivas kohas. Ärge hoidke akut kunagi päikese käes, radiaatori peal ega aknalaual. Kasutusressursi ammendanud akud tuleb keskkonnasäästlikult ja ohutult utiliseerida.

6.2 Aku laadimine



OHT

Kasutage üksnes ettenähtud Hilti akusid ja Hilti akulaadijaid, mis on loetletud punktis "Tarvikud".

6.2.1 Aku esmalaadimine

Laadige akud enne esmakordset kasutamist täielikult täis.

6.2.2 Kasutatud aku laadimine

Enne aku asetamist vastavasse akulaadijasse veenduge, et aku välispind on puhas ja kuiv.

Teavet laadimisprotsessi kohta leiate akulaadija kasutusjuhendist.

Liitiumioonakusid saab kasutada ka osaliselt laetuna.

et

6.3 Aku paigaldamine

ETTEVAATUST

Enne aku paigaldamist veenduge, et seade on välja lülitatud ja et sisselülitustõkis on aktiveeritud (reverslüli on keskasendis). Kasutage üksnes seadme jaoks ette nähtud Hilti akusid.

ETTEVAATUST

Enne aku paigaldamist seadmesse veenduge, et aku kontaktid ja seadmes olevad kontaktid on puhtad ja vabad võõrkehadest.

1. Lükake aku eest seadmesse, kuni see topeltklõpsuga kuuldavalt kohale fikseerub.
2. **ETTEVAATUST** Allakukkuv aku on ohtlik nii Teile kui ka teistele inimestele.

Kontrollige aku kindlat kinnitumist seadmesse.

6.4 Aku eemaldamine 2

1. Vajutage vabastusnupule.
2. Tõmmake aku suunaga ette seadmest välja.

6.5 Aku transport ja säilitamine

Enne transportimist ja hoiulepanekut võtke aku seadmest välja. Veenduge, et aku kontaktide vahel ei teki lühist. Eemaldage kohvrüst, tööriistakastist või

transportimiseks kasutatavast pakendist lahtised metallidetailid, nt kruvid, naelad, klambrid, lahtised kruvikeeramisosakud, traadid ja metallitükid ja/või hoidke ära nimetatud detailide kokkupuude akuga.

Akude transportimisel (maantee-, raudtee-, mere- või õhuveol) pidage kinni riiklikest ja rahvusvahelistest veoeeskirjadest.

6.6 Vööklamber 3

ETTEVAATUST

Enne töö algust kontrollige, et vööklamber on kindlalt kinnitatud.

Vööklambri abil saab seadme kinnitada vöö külge, kus on seade alati haardeulatuses. Vasakukäeliste kasutajate jaoks saab vööklambrist kinnitada ka seadme teisele küljele.

1. Võtke aku seadmest välja.
2. Torgake kruviplaat ettenähtud juhikusse.
3. Kinnitage vööklamber kahe kruviga.

7 Töötamine



et

ETTEVAATUST

Seade võib kasutamisel kuumaks minna. **Kandke kaitsekindaid.**

ETTEVAATUST

Puurimisel ja kruvide keeramisel võib seade külgsuunas libiseda.

ETTEVAATUST

Vigastuste vältimiseks kasutage tarvikute vahetamisel kaitsekindaid.

7.1 Vasaku või parema käigu reguleerimine 4

JUHIS

Reverslülitiga saate valida seadme spindli pöörlemise suunda. Tõkis takistab ümberlülitamist mootori töötamise ajal. Keskasendis on juhtlülitid lukustatud. Reverslülitit vajutamiselega vasakule (seadme töösuuna suhtes) lülitate seadme päripäeva pöörlemisele. Reverslülitit vajutamiselega paremale (seadme töösuuna suhtes) lülitate seadme vastupäeva pöörlemisele.

7.2 Pöörete vahemiku valimine 5

HOIATUS

Suuri ja raskeid tarvikuid tohib kasutada üksnes esimesel käigul. Vastasel korral võib tööriist väljalülitamisel kahjustada saada, samuti võib padrun ebasoodsate tingimuste korral lõdveneda ja lahti tulla.

JUHIS

Pöörete vahemikku saab valida käigulülitiga. Pöörete vahemikud mudelitel SF 2-A/SFD 2-A täiesti täis laetud aku puhul: 1. käigul: 0-400 p/min, 2. käigul: 0-1500 p/min

JUHIS

Käigulülitit võib käsitseda vaid siis, kui mootor seisab.

7.3 Sisse-/ väljalülitamine

Aeglase vajutamisega juhtlülitile saab pöörete arvu sujuvalt reguleerida kuni maksimumini.

7.4 Tarviku vahetus

ETTEVAATUST

et Tarviku vahetamisel kandke kaitsekindaid, kuna tarvik muutub töötamisel kuumaks.

Kontrollige, kas tarviku padrunisse kinnituv ots on puhas. Vajadusel puhastage see.

7.4.1 Tarviku vahetus mudelil SF 2-A

JUHIS

Seadmel on kiirkinnituspadrun, mis võimaldab kinnitada erinevaid tarvikuid (nt puure, otsakuid ja otsakuadaptereid).

7.4.1.1 Tarviku paigaldamine

1. Viige reverslülitit keskasendisse või eemaldage seadmest aku.
2. Avage kiirkinnituspadrun.
3. Asetage tarvik padrunisse ja keerake kiirkinnitusmutter kinni.
4. Kontrollige tarviku kindlat kinnitumist.

7.4.1.2 Tarviku eemaldamine

1. Viige reverslülitit keskasendisse või eemaldage seadmest aku.
2. Avage kiirkinnituspadrun.
3. Tõmmake tarvik padrunist välja.

7.4.2 Tarviku vahetus mudelil SFD 2-A 6

JUHIS

Seadmel on lukustushülsga 1/4"-sisekuuskant, mis võimaldab kinnitada erinevaid tarvikuid (nt puure, otsakuid ja otsakuadaptereid).

7.4.2.1 Tarviku paigaldamine

1. Viige reverslülitit keskasendisse või eemaldage seadmest aku.
2. Lükake sisekuuskandi lukustushülss ette ja hoidke seda selles asendis.
3. Torgake tarvik lõpuni sisekuuskanti ja vabastage lukustushülss.
4. Kontrollige tarviku kindlat kinnitumist.

7.4.2.2 Tarviku eemaldamine

1. Viige reverslülitit keskasendisse või eemaldage seadmest aku.
2. Lükake sisekuuskandi lukustushülss ette ja hoidke seda selles asendis.
3. Tõmmake tarvik sisekuuskandist välja ja vabastage lukustushülss.

7.5 Puurimine

ETTEVAATUST

Kasutage töödeldava detaili kinnitamiseks kinnitusvahendeid või pits-kruvi. Nii püsib detail paigal kindlamalt kui käega hoides, samuti jäävad nii mõlemad käed seadmega töötamiseks vabaks.

1. Keerake pöördemomendi ja puurimise regulaator puurimise sümbolile.
2. Seadke reverslülitit päripäeva pöörlemisele.

7.6 Kruvikeeramine

1. Pöördemomendi ja puurimise regulaatoriga reguleerige välja soovitud pöördemoment.
2. Reverslülitiga reguleerige välja soovitud pöörlemissuund.

7.7 Liitiumioonaku laetuse astme kindlakstegemine 7

JUHIS

Töötamise ajal ei ole võimalik esitada päringut aku laetuse astme kohta.

JUHIS

Aku asetamisel seadmesse võivad aku laetuse astme indikaatori LED-tuled korraks süttida.

Liitiumioonaku on varustatud aku laetuse astme indikaatoriga. Kui akulaadija ei ole kasutusel, siis tuleb aku laetuse astme kindlakstegemiseks vajutada aku lukustusnupule, mille tagajärjel süttivad neli LED-tuld.

et

ETTEVAATUST

Enne puhastustööde alustamist eemaldage aku, et vältida seadme soovimatut käivitumist!

8.1 Tööriistade hooldus

Eemaldage tarvikute külge jäänud mustus ja hõõruge tarvikute pealispinda kaitseks korrosiooni eest aeg-ajalt õlise lapiga.

8.2 Seadme hooldus

ETTEVAATUST

Hoidke seade, eelkõige selle käepidemed, puhtad ja vabad õlist ja rasvast. Ärge kasutage silikooni sisaldavaid hooldusvahendeid.

Seadme korpuse pealne pool on valmistatud löögikindlast plastist. Käepideme osa on kummist.

Ärge kasutage seadet, mille ventilatsiooniavad on ummistunud! Puhastage ventilatsiooniavasid ettevaatlikult kuiva harjaga. Takistage võõrkehade sissetungimist seadme sisemusse. Puhastage seadme välispinda regulaarselt veidi niiske lapiga. Ärge kasutage puhastamiseks pihustit, aurupuhastit ega voolavat vett! See võib mõjutada seadme elektrilist ohutust.

et

8.3 Liitumioonakude hooldus

Vältige niiskuse sissetungimist.

Laadige aku enne esmakordset kasutamist täielikult täis.

Aku maksimaalse tööea tagamiseks lõpetage töö kohe, kui aku jõudlus on tunduvalt vähenenud.

JUHIS

Edasise kasutamise korral lõpeb aku tühjenemine automaatselt enne, kui akuelemendid kahjustada saavad.

Laadige akusid liitumioonakude jaoks ette nähtud Hilti akulaadijatega.

JUHIS

- Akude värskenduslaadimine nagu NiCd- või NiMH-akude puhul ei ole vajalik.
- Laadimisprotsessi katkestamine ei mõjuta aku tööiga.
- Laadimist võib igal ajal uuesti alustada, ilma et see avaldaks mõju aku tööeale. Mäluefektiga nagu NiCd- või NiMH-akude puhul ei esine.
- Akusid tuleks hoida täis laetuna võimalikult jahedas ja kuivas kohas. Akude hoidmine kõrgetel temperatuuridel (aknalaudadel) on kahjulik, lühendab aku tööiga ja suurendab akuelementide iseeneslikku tühjenemist.

- Kui akut ei saa enam täiesti täis laadida, on aku mahtuvus ülekoormuse või vananemise tõttu vähenenud. Sellise akuga saab veel töötada. Aku tuleb siiski peatselt välja vahetada.

8.4 Korrashoid

HOIATUS

Elektridetaile tohivad parandada ainult elektriala asjatundjad.

Kontrollige regulaarselt, kas seadme kõik välised detailid on vigastusteta ja kas seadme kõik osad töötavad veatult. Ärge rakendage seadet tööle, kui detailid on vigastatud ega tööta veatult. Laske seade parandada Hilti hooldekeskuses.

8.5 Kontrollimine pärast hooldus- ja korrashoiutöid

Pärast hooldus- ja korrashoiutöid tuleb kontrollida, kas kõik kaitseseadised on paigaldatud ja töötavad veatult.

9 Veotsing

Viga	Võimalik põhjus	Kõrvaldamine
Seade ei tööta.	Aku ei ole korrektselt seadmesse asetatud või on tühi. Elektriline rike.	Aku peab kuuldava klõpsuga kohale fikseeruma / Aku tuleb laadida. Eemaldage aku sead- mest ja pöörduge Hilti hooldekeskusse.
Toitelüliti ei saa alla vajutada / toitelüliti on kinni kiilunud.	Reverslüli on keskasen- dis (transpordiasendis)	Viige reverslüli vasakule või paremale.
Aku tühjeneb tavali- sest kiiremini.	Aku seisund ei ole opti- maalne.	Laske seade Hilti hool- dekeskuses üle kont- rollida või vahetage aku välja.
Aku ei fikseeru kuul- dava klõpsuga ko- hale.	Aku fiksaatorkeeled on määrduvad.	Puhastage fiksaatorkee- led ja laske akul kohale fikseeruda. Kui viga ei õnnestu kõrvaldada, pöörduge Hilti hoolde- keskusse.

et

Viga	Võimalik põhjus	Kõrvaldamine
Seade või aku muutu- vad väga kuumaks.	Elektriline rike.	Lülitage seade kohe välja, eemaldage sead- mest aku ja pöörduge Hilti hooldekeskusse.
	Seade on üle koormatud (seadme jõudluspiirid on ületatud)	Valige antud töö jaoks sobiv seade.

10 Utiliseerimine

ETTEVAATUST

Seadme nõuetevastane utiliseerimine võib kaasa tuua järgmist: Plastdetailide põlemisel tekivad mürgised gaasid, mis võivad põhjustada inimeste haigestumist. Kahjustatud või ülekuumenenud patareid võivad plahvatada ja põhjustada mürgitusi, põletusi, söövitusi või keskkonna saastumist. Hoolitu utiliseerimine võimaldab kõrvalistel isikutel seadet mittesihipäraselt kasutada. Sellega võivad nad tõsiselt vigastada ennast ja teisi inimesi ning reostada keskkonda.

et

ETTEVAATUST

Defektsed akud utiliseerige kohe. Hoidke neid laste eest. Ärge võtke akusid lahti ja ärge põletage neid.

ETTEVAATUST

Kasutusressursi ammendanud akud utiliseerige vastavalt kohalikele nõuetele või toimetage Hilti müügiesinduse poolt näidatud aadressil.



Enamik Hilti seadmete valmistamisel kasutatud materjalidest on taaskasutatavad. Materjalid tuleb enne taaskasutust korralikult sorteerida. Paljudes riikides võtavad Hilti esindused vanu seadmeid utiliseerimiseks vastu. Lisainfot saate Hilti klienditeenindusest või müügiesindusest.



Üksnes EL liikmesriikidele

Ärge käidelize kasutusressursi ammendanud elektrilisi tööriistu koos olmejäätmetega!

Vastavalt Euroopa Parlamendi ja nõukogu direktiivile elektri- ja elektroonikaseadmete jäätmete kohta ning direktiivi nõudeid ülevõtivatele siseriiklikele õigusaktidele tuleb kasutusressursi ammendanud elektrilised tööriistad eraldi kokku koguda ja keskkonnasäästlikult korduskasutada või ringluse võtta.

11 Tootja garantii seadmetele

Garantiitingimusi puudutavate küsimuste korral pöörduge HILTI kohaliku esinduse või edasimüüja poole.

12 EÜ-vastavusdeklaratsioon (originaal)

Nimetus:	Akutrell-krivikeeraja
Tüübitähis:	SF 2-A/SFD 2-A
Generatsioon:	01
Valmistusaasta:	2013

et

Kinnitame ainuvastutajana, et käesolev toode vastab järgmiste direktiivide ja normide nõuetele: 2006/42/EÜ, 2004/108/EÜ, 2006/66/EÜ, 2011/65/EL, EN 60745-1, EN 60745-2-1, EN 60745-2-2, EN ISO 12100.

Hilti Corporation, Feldkircherstrasse 100, FL-9494 Schaan

Paolo Luccini
Head of BA Quality and Process Management
Business Area Electric Tools & Accessories
03/2014

Tassilo Deinzer
Executive Vice President
Business Unit Power Tools & Accessories
03/2014

Tehnilised dokumendid saadaval:

Hilti Entwicklungsgesellschaft mbH

Zulassung Elektrowerkzeuge

Hiltistrasse 6

86916 Kaufering

Deutschland

et

ОРИГІНАЛЬНА ІНСТРУКЦІЯ З ЕКСПЛУАТАЦІЇ

Акумуляторний гвинтокрут SF 2-A/SFD 2-A

Перш ніж розпочинати роботу, уважно прочитайте інструкцію з експлуатації.

Завжди зберігайте цю інструкцію з експлуатації разом з інструментом.

При зміні власника передавайте інструмент лише разом із інструкцією з експлуатації.

Зміст

1	Загальні вказівки	274
2	Опис	276
3	Інструменти, приладдя	278
4	Технічні дані	279
5	Вказівки з техніки безпеки	281
6	Підготовка до роботи	289
7	Експлуатація	291
8	Догляд і технічне обслуговування	294
9	Пошук несправностей	296
10	Утилізація	297
11	Гарантійні зобов'язання виробника інструмента	298
12	Сертифікат відповідності ЄС (оригінал)	298

uk

1 Цифрами позначено ілюстрації. Ілюстрації до тексту розміщені на розворотах обкладинки. Розгорніть їх при ознайомленні з цією інструкцією. У тексті цієї інструкції з експлуатації «інструмент» завжди означає акумуляторний шурупокрут SF 2-A або SFD 2-A з приєднаною до нього акумуляторною батареєю.

Елементи конструкції інструмента, органи керування та індикація 1

- ① Швидкозатискний патрон (SF 2-A)
- ② Регульовальне кільце для встановлення обертового моменту та свердління
- ③ Перемикач швидкостей
- ④ Внутрішній шестигранник зі стопорною втулкою (SFD 2-A)
- ⑤ Перемикач напряму обертання за годинниковою стрілкою/проти неї
- ⑥ Рукоятка
- ⑦ Ліхтар
- ⑧ Поясний гачок (опціонально)
- ⑨ Індикатор стану заряду
- ⑩ Кнопка розблокування
- ⑪ Вимикач (з електронним регулятором частоти обертання)

1 Загальні вказівки

uk

1.1 Сигнальні слова та їх значення

НЕБЕЗПЕКА

Вказує на безпосередньо загрожуючу небезпеку, що може призвести до тяжких тілесних ушкоджень або навіть до смерті.

ПОПЕРЕДЖЕННЯ

Вказує на потенційно небезпечну ситуацію, яка може призвести до тяжких тілесних ушкоджень або навіть до смерті.

ОБЕРЕЖНО

Вказує на потенційно небезпечну ситуацію, яка може призвести до легких тілесних ушкоджень та до матеріальних збитків.

ВКАЗІВКА

Для вказівок щодо експлуатації та для іншої корисної інформації.

1.2 Пояснення піктограм та інша інформація

Попереджувальні знаки



Загальна небезпека



Небезпека
враження
електричним
струмом



Попередження
щодо хімічно
агресивних речовин

Наказові знаки



Використовуйте
захисні окуляри



Використовуйте
захисний шолом



Використовуйте
захисні навушники



Використовуйте
захисні рукавиці



Використовуйте
респіратор

uk

Символи



Перед застосуванням прочитайте інструкцію з експлуатації



Вольт



Постійний струм



Номінальна частота обертання в режимі холостого ходу



Обертів за хвилину



Безударне свердління отворів



Відпрацьовані матеріали відправляйте на переробку

Місця розташування ідентифікаційних позначок на інструменті

Тип інструмента вказано на заводській табличці внизу у його ніжці, а серійний номер — збоку на його корпусі. Занесіть ці дані до інструкції з експлуатації і завжди посилайтесь на них, звертаючись до нашого представництва та до відділу сервісного обслуговування.

Тип:

Версія: 01

Заводський №:

2 Опис

2.1 Застосування за призначенням

SF 2-A і SFD 2-A – це ручні акумуляторні шурупокрути для укручування і викручування гвинтів і свердління сталі, дерева і пластмаси.

Забороняється застосовувати інструмент для обробки шкідливих для здоров'я речовин, наприклад, азбесту.

Не застосовуйте акумуляторні батареї в якості джерел живлення для інших, не зазначених у специфікації, користувачів.

Вносити будь-які зміни в конструкцію інструмента заборонено.

Щоб уникнути ризику травмування, використовуйте лише оригінальне приладдя та інструменти виробництва компанії Hilti.

Дотримуйтесь приписів з експлуатації, догляду й технічного обслуговування інструмента, наведених в інструкції з експлуатації.

Інструмент призначено для професійного користувача, а тому його експлуатація, технічне обслуговування та ремонт доручайте лише авторизованому персоналу зі спеціальною підготовкою. Цей персонал повинен бути спеціально проінструктований про можливі небезпеки. Інструмент та його допоміжні засоби можуть стати джерелом небезпеки в разі їх неправильного застосування некваліфікованим персоналом або при використанні не за призначенням.

Можливі області застосування: будівельний майданчик, майстерня, ремонтні роботи, реконструкція та новобудова.

2.2 Затискний патрон

Швидкозатискний патрон для моделі SF 2-A і внутрішній шестигранник для моделі SFD 2-A.

2.3 Вимикач

Вимикач з електронним регулятором числа обертів

Перемикач швидкостей

Перемикач напряму обертання за годинниковою стрілкою/проти неї з блокуванням від увімкнення

Регульовальне кільце для встановлення обертового моменту та свердління

uk

2.4 Рукоятка

Вібропоглинаюча рукоятка

2.5 До комплекту постачання у валізі входять:

- 1 Інструмент
- 1 Інструкція з експлуатації
- 1 Валіза Hilti

2.6 До комплекту постачання в картонній коробці входять:

- 1 Інструмент
- 1 Інструкція з експлуатації

2.7 Для експлуатації інструмента додатково потрібні:

Акумуляторна батарея В 12/2.6 Li-Ion із зарядним пристроєм С4/12-50.

2.8 Індикатор стану заряду літій-іонної акумуляторної батареї

Світлодіод постійного світіння	Світлодіод миготливого світіння	Стан заряду С
Світлодіод 1, 2, 3, 4	-	$C \geq 75\%$
Світлодіод 1, 2, 3	-	$50\% \leq C < 75\%$
Світлодіод 1, 2	-	$25\% \leq C < 50\%$
Світлодіод 1	-	$10\% \leq C < 25\%$
-	Світлодіод 1	$C < 10\%$

2.9 Запобіжник від перенавантаження і перегрівання

Інструмент оснащено електронним запобіжником від перенавантаження і перегрівання. При перенавантаженні та перегріванні інструмент автоматично вимикається. Якщо вимикач відпустити, а потім знову натиснути, відбувається затримка вмикання інструмента (цей останній охолонує).

uk

ВКАЗІВКА

Світлодіоди акумуляторної батареї не відображають перенавантаження і перегрівання.

3 Інструменти, приладдя

Позначення	Умовне позначення
Зарядний пристрій для літій-іонної акумуляторної батареї	С 4/12-50
Акумуляторна батарея	В 12/2.6 Li-Ion
Поясний гачок (опціонально)	

Позначення	Опис
Діапазон затискання швидкозатискного патрона	$\varnothing 0,8 \dots 10$ мм
Діапазон діаметрів отворів у деревині (м'якій)	$\varnothing 0,8 \dots 14$ мм
Діапазон діаметрів отворів у деревині (твердій)	$\varnothing 0,8 \dots 10$ мм

Позначення	Опис
Діапазон діаметрів отворів у металі	∅ 0,8...6 мм
Шурупи для деревини (макс. довжина 80 мм)	∅ 3...6 мм

4 Технічні дані

Зберігаємо за собою право на технічні зміни!

Інструмент	SF 2-A	SFD 2-A
Номінальна напруга (постійного струму)	10,8 В	10,8 В
Маса згідно з процедурою EPTA від 01/2003	1,1 кг	1,0 кг
Кількість обертів на 1 швидкості (з акумуляторною батареєю B 12/2.6)	0...400/min	0...400/min
Кількість обертів на 2 швидкості (з акумуляторною батареєю B 12/2.6)	0...1 500/min	0...1 500/min
Обертовий момент (загвинчування у м'який матеріал), налаштування на символ свердління	Макс. 12 Нм	Макс. 12 Нм
Установлення обертового моменту (15-ступінчасте)	0,5...3,5 Нм	0,5...3,5 Нм

uk

ВКАЗІВКА

Наведений у цих рекомендаціях рівень шуму та вібрації вимірювався за методом згідно зі стандартом EN 60745, що дозволяє використовувати його для взаємного порівняння електричних інструментів. Він придатний також для попереднього оцінювання вібраційного навантаження. Указаний рівень шуму та вібрації і обумовлює переважні сфери застосування електроінструмента. Однак у разі його використання не за призначенням, при застосуванні нестандартного робочого інструмента та при неналежному догляді рівень шуму і вібрації може посилюватися.

Це може призвести до помітного збільшення шумовібраційного навантаження протягом усього робочого часу. Для більш точної оцінки шумовібраційного навантаження необхідно враховувати також проміжки часу, протягом яких інструмент вимкнений або ж працює, хоч насправді й не знаходиться в експлуатації. Це допоможе помітно знизити шумовібраційне навантаження протягом загального робочого часу. Вживайте також додаткових заходів безпеки з метою захисту працівника від дії вібрації, зокрема: своєчасне технічне обслуговування електроінструмента та змінних робочих інструментів до нього, утримування рук у теплі, належна організація робочого процесу.

Дані про шум та вібрацію (вимірювані згідно з EN 60745):

Типовий середньозважений рівень потужності звука для SF 2-A/SFD 2-A	75 дБ (A)
Типовий середньозважений рівень потужності звука для SF 2-A/SFD 2-A	64 дБ (A)
Похибка наведених вище значень рівня шуму	3 дБ (A)

uk

Значення вібрації за трьома осями (векторна сума)	виміряно згідно з EN 60745-2-2
Для SF 2-A/SFD 2-A: безударне загвинчування, a_n	0,5 м/с ²
Похибка (K)	1,5 м/с ²

Значення вібрації за трьома осями (векторна сума)	виміряно згідно з EN 60745-2-1
Для SF 2-A/SFD 2-A: Свердління отворів у металі, $a_{h,D}$	1,9 м/с ²
Похибка (K) значень вібрації за трьома осями	1,5 м/с ²

Акумуляторна батарея	B 12/2.6 Li-Ion
Номінальна напруга	10,8 В
Ємність	2,6 Аг
Енергоресурс	28,08 Вт/г
Маса	0,24 кг
Контроль температури	Так

Акумуляторна батарея	B 12/2.6 Li-Ion
Різновид елемента	Літій-іонний
Блок елементів	3 шт.

5 Вказівки з техніки безпеки

ВКАЗІВКА

Вказівки з техніки безпеки, наведені в розділі 5.1, стосуються загальних вказівок з техніки безпеки при роботі з електроінструментами, які, згідно з чинними нормами й вимогами, повинні бути наведені в інструкції з експлуатації. А тому там можуть міститися також вказівки, що не стосуються даного конкретного інструмента.

5.1 Загальні вказівки з техніки безпеки при роботі з електроінструментами

a) ПОПЕРЕДЖЕННЯ

Уважно прочитайте всі вказівки та інструкції з техніки безпеки. Щонайменшого недотримання вказівок та інструкцій з техніки безпеки може бути досить для враження електричним струмом, пожежі та/або тяжких травм. **Зберігайте всі інструкції та вказівки з техніки безпеки для їх можливого застосування в майбутньому.** Використовуваний у вказівках з техніки безпеки термін «електроінструмент» стосується як електроінструментів, що працюють від електричної мережі (з кабелем живлення), так і електроінструментів, які працюють від акумулятора (без кабелю живлення).

uk

5.1.1 Безпека на робочому місці

- Утримуйте робоче місце в чистоті та подбайте про його достатнє освітлення.** Безлад на робочому місці та недостатнє освітлення можуть стати причиною нещасних випадків.
- Не працюйте з електроінструментом у вибухонебезпечному середовищі, що містить в собі легкозаймисті рідини, гази або пил.** Під час роботи електроінструмент іскрить, від чого можуть зайнятися легкозаймисті випари або пил.
- Подбайте, щоб під час застосування електроінструмента поблизу не було дітей та сторонніх.** Адже щонайменшого відволікання достатньо, щоб втратити над ним контроль.

5.1.2 Електрична безпека

- a) **Штепсельна вилка електроінструмента повинна пасувати до розетки живлення. Забороняється вносити зміни до конструкції штепсельної вилки. Не дозволяється застосовувати перехідні штепсельні вилки в електроінструментах із захисним заземленням.** При застосуванні оригінальних штепсельних вилок і відповідних їм розеток знижується ризик ураження електричним струмом.
- b) **Уникайте під час роботи торкатися заземлених поверхонь, наприклад, труб, радіаторів опалення, печей та холодильників.** Якщо ваше тіло знаходиться в контакті з системою заземлення, існує підвищений ризик ураження електричним струмом.
- c) **Захищайте електроінструменти від дії дощу та вологи.** У разі проникнення води в електроінструмент підвищується ризик ураження електричним струмом.
- d) **Не використовуйте кабель не за призначенням, не переносьте за нього електроінструмент, не користуйтеся ним для підвішування інструмента та не витягуйте за нього штепсельну вилку з розетки. Оберігайте кабель від впливу високих температур, від дії мастил, гострих кромek або рухомих частин інструмента.** Пошкоджені або заплутані кабелі підвищують ризик ураження електричним струмом.
- e) **При роботі з електроінструментом під відкритим небом використовуйте лише подовжувальний кабель, придатний для зовнішнього застосування.** Використання подовжувального кабелю, що має допуск для зовнішнього застосування, зменшує ризик ураження електричним струмом.
- f) **Якщо неможливо уникнути експлуатації електроінструмента за умов підвищеної вологості, використовуйте автомат захисту від струмів витоку.** Застосування автомата захисту від струмів витоку зменшує ризик ураження електричним струмом.

uk

5.1.3 Безпека персоналу

- a) **Будьте уважні, зосередьтесь на виконуваній операції, до роботи з електроінструментом поставтесь свідомо. Не користуйтеся електроінструментом, якщо Ви втомлені або перебуваєте під дією наркотиків, алкоголю чи лікарських засобів.** Під час роботи з електроінструментом не відволікайтесь ні на мить, бо це може призвести до серйозних травм.
- b) **Використовуйте засоби індивідуального захисту і завжди носіть захисні окуляри.** Використання засобів індивідуального захисту, наприклад, респіратора, захисного взуття на нековзній підшві, захисного шолома або шумозахисних навушників — в залежності від

різновиду електроінструмента та особливостей роботи — зменшує ризик травмування.

- c) **Уникайте випадкового вмикання інструмента.** Перш ніж вставляти штепсельну вилку в розетку живлення та/або під'єднувати акумулятор, піднімати електроінструмент або переносити його, переконайтесь в тому, що його було належним чином вимкнено. Якщо під час перенесення електроінструмента тримати палець на вимикачі або ж увімкненим під'єднувати його до джерела живлення, це може призвести до нещасного випадку.
- d) **Перш ніж вмикати інструмент, приберіть усі налагоджувальні приладдя або гайкові ключі.** Приладдя або ключ, що знаходяться в обертовому вузлі інструмента, можуть призвести до травмування.
- e) **Уникайте працювати в незручній позі.** Під час виконання робіт ставайте в стійку позу і намагайтесь повсякчас утримувати рівновагу. Це дозволить Вам упевненіше поратися з інструментом за несподіваних обставин.
- f) **Вдягайте відповідний робочий одяг.** Не вдягайте для роботи занадто просторий одяг та прикраси. Слідкуйте, щоб волосся, одяг та робочі рукавиці знаходилися подалі від обертових частин інструмента. Просторий одяг, прикраси або довге волосся можуть бути захоплені рухомими частинами інструмента.
- g) **Якщо передбачена можливість змонтувати пиловідсоси й пилозбірники, обов'язково упевніться в тому, що вони правильно під'єднані й використовуються належним чином.** При застосуванні системи пиловидалення зменшується ризик ураження персоналу шкідливим пилом.

uk

5.1.4 Застосування електроінструмента та догляд за ним

- a) **Не допускайте перевантаження інструмента.** Завжди використовуйте електроінструмент, передбачений для виконання саме такої роботи. При використанні належного електроінструмента забезпечуються більш висока якість та безпека виконуваних робіт у вказаному діапазоні продуктивності.
- b) **Не користуйтесь електроінструментом, в якого вийшов з ладу вимикач.** Електроінструмент, який неможливо вмикати чи вимкати, небезпечний і підлягає ремонту.
- c) **Перш ніж розпочинати налаштування інструмента, виконувати заміну приладдя чи просто робити перерву в роботі, не забудьте вийняти штепсельну вилку з розетки та/або вийняти з інструмента акумулятор.** Такий захід безпеки допоможе запобігти випадковому увімкненню електроінструмента.
- d) **Електроінструменти, якими наразі не користуються, зберігайте в недоступному для дітей місці.** Не дозволяйте користуватися

інструментом особам, які з ним не ознайомлені або не читали цих інструкцій. У руках недосвідчених людей електроінструменти являють собою серйозну небезпеку.

- e) **Електроінструменти потребують дбайливого догляду. Ретельно контролюйте, чи бездоганно працюють та чи не заклинюють рухомі частини, чи не зламалися або не зазнали інших пошкоджень деталі, від яких залежить справна робота електроінструмента. Перед початком роботи з інструментом пошкоджені деталі слід відремонтувати.** Багатьох нещасних випадків можна уникнути за умови належного технічного обслуговування електричних інструментів.
- f) **Утримуйте ріжучі інструменти в чистоті та належним чином заточеними.** Дбайливо доглянутий ріжучий інструмент з гострими різальними кромками не так часто заклинюється, і ним легше працювати.
- g) **Застосовуйте електроінструмент, приладдя до нього, робочі інструменти і т. п. лише у суворій відповідності до цих вказівок. При цьому завжди враховуйте умови в місці виконання робіт та самі виконувані роботи.** Використання електроінструментів не за призначенням може призвести до виникнення небезпечних ситуацій.

5.1.5 Застосування акумуляторного інструмента та належний догляд за ним

uk

- a) **Для заряджання акумуляторів застосовуйте лише зарядні пристрої, рекомендовані виробником.** Зарядний пристрій, придатний для заряджання акумуляторів певного типу, може спричинити пожежу, якщо його застосовувати для заряджання акумуляторів інших типів.
- b) **Для живлення електроінструментів застосовуйте лише спеціально для цього призначені акумуляторні батареї.** Застосування інших акумуляторів може призвести до травмування та стати причиною виникнення пожежі.
- c) **Тримайте наразі невикористовуваний акумулятор подалі від конторських скріпок, монет, ключів, цвяхів, гвинтів та інших дрібних металевих предметів, які могли б спричинити коротке замикання його контактів.** Коротке замикання контактів акумулятора може призвести до опіків або ж до пожежі.
- d) **При неправильному застосуванні з акумуляторної батареї може пролитися рідина. Уникайте контакту з нею. У разі випадкового контакту негайно змийте достатньою кількістю води. Якщо рідина потрапила в очі, рекомендується додатково звернутися по лікарську допомогу.** Пролита з акумулятора рідина може призвести до подразнення шкіри або опіків.

5.1.6 Сервісне обслуговування

- a) **Доручайте ремонт інструмента лише кваліфікованому персоналу зі спеціальною підготовкою за умови використання тільки оригінальних запасних частин.** За рахунок цього буде забезпечено безпеку під час роботи з електроінструментом.

5.2 Указівки з техніки безпеки при роботі з буровими машинами

- a) **Під час ударного буріння використовуйте захисні навушники.** Під дією шуму органи слуху можуть постраждати.
- b) **Використовуйте додаткові рукоятки, що входять до комплекту постачання інструмента.** Адже втрата контролю над інструментом може стати причиною травмування.
- c) **Якщо під час виконання робіт існує ймовірність того, що змінний робочий інструмент може натрапити на приховану електропроводку, утримуйте інструмент за ізольовані поверхні рукояток.** При контакті з електричним дротом під напругою металеві деталі інструмента також потраплять під напругу, а це може призвести до ураження електричним струмом.

5.3 Додаткові вказівки з техніки безпеки

5.3.1 Безпека персоналу

uk

- a) **Під час виконання робіт, при яких шуруп може натрапити на приховані електропроводи, утримуйте інструмент за ізольовані поверхні рукояток.** При контакті шурупа з електричним дротом під напругою металеві деталі інструмента також потраплять під напругу, а це може призвести до враження електричним струмом.
- b) **Завжди міцно тримайте інструмент обома руками за призначені для цього рукоятки.** Утримуйте рукоятки сухими, чистими та вільними від олив і мастил.
- c) **Щоб під час роботи у вас не затерпали руки, робіть перерви та виконуйте вправи на розслаблення і розминання пальців з метою покращення кровообігу в них.**
- d) **Уникайте доторкання до деталей інструмента, що обертаються.** Вмикати інструмент дозволяється лише у межах робочої зони. При торканні деталей пристрою, що обертаються, зокрема його обертових робочих інструментів, не виключене отримання тяжких травм.
- e) **На час зберігання інструменту на складі або транспортування заблокуйте його вмикання, для чого перемикач напряму обертання за годинниковою стрілкою/проти неї повинен бути приведений в середнє положення.**

- f) Інструмент не призначений для застосування дітьми або недосить фізично сильними особами, що не отримали інструктаж.
- g) Обов'язково роз'ясніть дітям, що гратися з електроінструментом суворо заборонено.
- h) Пил, що містить в собі такі матеріали, як фарби із вмістом свинцю, тирсу деяких порід деревини, мінерали та метал, може бути шкідливим для здоров'я. При контакті з таким пилом або його вдиханні у користувача електроінструмента та в людей, що під час роботи з ним знаходяться поблизу, можуть виникнути алергійні реакції та/або захворювання дихальних шляхів. Деякі різновиди пилу, наприклад, деревини дуба чи бука, вважаються канцерогенними, особливо в поєднанні з присадками для обробки деревини (хромат, засоби для захисту деревини). До обробки матеріалів, що містять азбест, допускаються лише фахівці зі спеціальною підготовкою. **Намагайтеся працювати лише зі справним пиловідводом. З метою ефективного відведення пилу застосуйте відповідний мобільний пилосос, рекомендований компанією Hilti для видалення дерев'яного та/або мінерального пилу, спеціально розрахований на експлуатацію саме з цим конкретним електроінструментом. Потурбуйтеся про належну вентиляцію робочого місця. Рекомендується вдягати респіратор з фільтром класу P2. Дотримуйтесь чинних у своїй країні норм та приписів щодо оброблюваних матеріалів.**

uk

5.3.2 Належне застосування електроінструментів та дбайливий догляд за ними

- a) **Надійно зафіксуйте оброблювану заготовку. Для надійного утримання заготовки використовуйте затискний пристрій або ж лежача.** Так вона буде зафіксована надійніше, ніж коли її просто тримати в руці; крім того, у Вас обидві руки будуть вільні для роботи з інструментом.
- b) **Достеменно упевніться в тому, що для кожного застосовуваного робочого інструмента є відповідний затискний пристрій та що цей змінний робочий інструмент щоразу належним чином зафіксовано у затискному патроні.**
- c) **Великі та важкі робочі інструменти дозволяється задіяти тільки при першому циклі.** Інакше існує небезпека, що під час відключення інструмент буде пошкоджено або за певних обставин свердлильний патрон вивільниться.

5.3.3 Застосування акумуляторних інструментів та дбайливий догляд за ними

- a) **Перш ніж встановлювати акумулятор, упевніться в тому, що пристрій вимкнено.** При під'єднанні акумулятора до невимкненого пристрою може статися нещасний випадок.
- b) **Не піддавайте акумуляторні батареї впливу високих температур та відкритого вогню.** Це становитиме реальну загрозу вибуху.
- c) **Акумуляторні батареї забороняється розбирати чи іншим чином порушувати їх цілісність, нагрівати до температури понад 80 °C або спалювати.** У разі недотримання цієї вимоги існує небезпека загоряння, вибуху та отримання хімічних опіків.
- d) **Уникайте проникнення вологи всередину пристрою.** Волога може призвести до короткого замикання, а також стати причиною опіків та загоряння.
- e) **Використовуйте лише відповідні акумуляторні батареї, що призначені для цього конкретного інструмента.** У разі використання акумуляторних батарей інших типів або ж використання дозволених акумуляторних батарей не за призначенням існує ризик загоряння або вибуху.
- f) **Дотримуйтесь також особливих приписів щодо транспортування, складського зберігання та застосування літій-іонних акумуляторних батарей.**
- g) **Перш ніж здавати інструмент на склад або для перевезення, зніміть з нього акумуляторну батарею.**
- h) **Уникайте коротких замикань на контактах акумуляторної батареї. Перед тим як вставляти акумуляторну батарею в інструмент, упевніться в тому, що на контактах самої батареї та інструмента немає сторонніх предметів.** У разі короткого замикання контактів акумуляторної батареї існує реальна загроза загоряння, вибуху та отримання персоналом хімічних опіків.
- i) **Пошкоджені акумуляторні батареї (зокрема, з тріщинами, відламаними деталями, погнутими, вдавненими або витягнутими контактами) не можна ні заряджати, ані продовжувати їх використовувати.**
- j) **Якщо акумуляторна батарея нагрівається так, що до неї боляче торкатись, це може вказувати на те, що вона вийшла з ладу. Залиште інструмент у невогнебезпечному місці на достатній відстані від горючих матеріалів, де за ним можна спостерігати, і дайте йому охолонути. Після того, як акумуляторна батарея охолоне, зверніться до відділу сервісного обслуговування компанії Hilti.**

uk

5.3.4 Електрична безпека



Перед початком роботи перевіряйте робоче місце на наявність прихованих електропроводів, газових та водопровідних труб за допомогою, наприклад, металошукача. Відкриті металеві деталі інструмента можуть стати провідниками електричного струму, якщо, зокрема, під час роботи будуть випадково пошкоджені електричні дроти. При цьому виникає серйозний ризик ураження електричним струмом.

5.3.5 Безпека на робочому місці

- Робоче місце повинне бути достатньо освітлене.
- Подбайте про належну вентиляцію робочого місця. Недостатньо провітрюване робоче місце може стати причиною погіршення стану здоров'я через високе пилове навантаження.

5.3.6 Засоби індивідуального захисту

uk



Під час роботи з інструментом сам користувач, а також особи, що перебувають безпосередньо в місці проведення робіт, повинні використовувати відповідні захисні окуляри, шолом, навушники, робочі рукавиці та легкий респіратор.

6 Підготовка до роботи



6.1 Дбайливий догляд за акумуляторними батареями

ВКАЗІВКА

За низьких температур потужність акумуляторної батареї знижується. Працюйте лише з повністю зарядженим акумулятором. Це сприяє збільшенню строку його служби. Своєчасно міняйте розряджену акумуляторну батарею на повністю заряджену. Одразу ж поставте розряджену акумуляторну батарею на заряджання для подальшої заміни.

Зберігайте акумуляторну батарею в якомога більш прохолодному та сухому місці. Забороняється зберігати акумуляторну батарею на сонці, на опалювальних приладах або ж поза приміщенням. Після завершення служби акумуляторні батареї повинні бути утилізовані з дотриманням чинних вимог щодо захисту довкілля та безпеки.

6.2 Заряджання акумуляторної батареї

uk



НЕБЕЗПЕКА

Застосовуйте лише спеціально передбачені акумуляторні батареї від компанії Hilti та зарядні пристрої Hilti, вказані в розділі «Приладдя».

6.2.1 Перше заряджання нової акумуляторної батареї

Перед першим введенням акумуляторної батареї в експлуатацію її необхідно повністю зарядити.

6.2.2 Заряджання акумуляторної батареї, що була у використанні

Переконайтеся в тому, що зовнішні поверхні акумуляторної батареї чисті і сухі, перш ніж вставляти її у відповідний зарядний пристрій.

Інформацію щодо процесу заряджання можна знайти в інструкції з експлуатації зарядного пристрою.

Літій-іонні акумуляторні батареї можуть працювати також у частково зарядженому стані.

6.3 Установлення акумуляторної батареї

ОБЕРЕЖНО

Перед тим, як вставляти акумуляторну батарею в інструмент, упевніться в тому, що інструмент вимкнено та заблоковано від вмикання (перемикач напряму обертання за годинниковою стрілкою/проти неї знаходиться в середньому положенні). Застосовуйте лише дозволені для експлуатації з Вашим пристроєм акумуляторні батареї Hilti.

ОБЕРЕЖНО

Перш ніж уставляти акумуляторну батарею в інструмент, переконайтеся, що на контактах акумуляторної батареї та інструмента немає сторонніх предметів.

1. Установлюйте акумуляторну батарею спереду в інструмент, поки не почуєте клацання фіксації.
2. **ОБЕРЕЖНО** Падіння акумуляторної батареї може становити небезпеку для Вас та інших осіб.

Перевірте, чи надійно акумуляторна батарея зафіксувалася в інструменті.

uk

6.4 Виймання акумуляторної батареї 2

1. Натисніть на кнопку розблокування.
2. Витягніть акумуляторну батарею з інструмента спереду.

6.5 Транспортування і зберігання акумуляторних батарей

Перед транспортуванням і зберіганням витягніть акумуляторну батарею з інструмента. Перевірте, щоб контакти акумуляторної батареї не були закорочені. Видаліть з валізи, інструментального ящика чи транспортного контейнера незакріплені металеві деталі, зокрема, гвинти, цвяхи, скоби, зняті наконечники шурупокрута, дроти і металеву стружку або ж подбайте про те, щоб вони не торкалися акумуляторних батарей.

При транспортуванні акумуляторних батарей (автомобільним, залізничним, морським чи повітряним транспортом) дотримуйтеся правил національних та міжнародних транспортних перевезень.

6.6 Поясний гачок 3

ОБЕРЕЖНО

Перш ніж розпочинати роботу, перевірте, чи надійно закріплено поясний гачок.

За допомогою поясного гачка інструмент можна зручно носити на поясі. Додатково поясний гачок задля зручності користувача-лівші може бути перенесено на інший бік інструмента.

1. Витягніть акумуляторну батарею з інструмента.
2. Вставте кріпильну пластину в передбачену для цього напрямну.
3. Закріпіть поясний гачок двома гвинтами.

7 Експлуатація



ОБЕРЕЖНО

Під час роботи інструмент може нагріватися. **Використовуйте захисні рукавиці.**

ОБЕРЕЖНО

Під час свердління та загвинчування інструмент може відхилитися вбік.

ОБЕРЕЖНО

Використовуйте захисні рукавиці під час заміни робочого інструмента, щоб запобігти травмуванню рук.

uk

7.1 Налаштування обертання за годинниковою стрілкою/проти неї 4

ВКАЗІВКА

За допомогою перемикача напряму обертання за годинниковою стрілкою/проти неї можна вибрати напрям обертання шпинделя інструмента. Блокувальний пристрій не дозволяє перемикати напрям обертання під час роботи двигуна. Перемикач заблоковано в середньому положенні. При натисканні перемикача напряму обертання вліво (якщо дивитися в напрямку роботи інструмента) вмикається обертання за годинниковою стрілкою. При натисканні перемикача напряму обертання вправо (якщо дивитися в напрямку роботи інструмента) вмикається обертання проти годинникової стрілки.

7.2 Вибір кількості обертів 5

ПОПЕРЕДЖЕННЯ

Великі та важкі робочі інструменти дозволяється задіяти тільки при першому циклі. Інакше існує небезпека, що під час відключення

інструмент буде пошкоджено або за певних обставин свердлильний патрон вивільниться.

ВКАЗІВКА

За допомогою перемикача швидкостей можна вибрати кількість обертів. Кількість обертів для SF 2-A/SFD 2-A при повністю зарядженій акумуляторній батареї: 1-а швидкість: 0–400 об/хв., 2-а швидкість: 0–1500 об/хв.

ВКАЗІВКА

Перемикачі перемикач швидкостей можна лише при нерухомому двигуні.

7.3 Вмикання і вимикання

Повільно натискаючи на вимикач, можна плавно підвищити число обертів до максимального.

7.4 Заміна змінного робочого інструмента

ОБЕРЕЖНО

Заміну робочих інструментів виконуйте в захисних рукавицях, тому що під час роботи вони сильно нагріваються.

Перевірте, чи чистий хвостовик змінного робочого інструмента. У разі необхідності очистіть хвостовик.

uk

7.4.1 Заміна змінного робочого інструмента для SF 2-A

ВКАЗІВКА

Інструмент має швидкозатискний патрон для установалення різних змінних робочих інструментів (наприклад, бурів, насадок і тримачів насадок).

7.4.1.1 Установалення змінного робочого інструмента

1. Переведіть перемикач напряму обертання за годинниковою стрілкою/проти неї в середнє положення або від'єднайте акумуляторну батарею від інструмента.
2. Відкрийте швидкозатискний патрон.
3. Уведіть знімний робочий інструмент у затискний патрон і закрутіть швидкозатискний патрон.
4. Перевірте надійність кріплення змінного робочого інструмента.

7.4.1.2 Виймання змінного робочого інструмента

1. Переведіть перемикач напряму обертання за годинниковою стрілкою/проти неї в середнє положення або від'єднайте акумуляторну батарею від інструмента.
2. Відкрийте швидкозатискний патрон.

3. Вийміть змінний робочий інструмент із затискного патрона.

7.4.2 Заміна змінного робочого інструмента для SFD 2-A

ВКАЗІВКА

Інструмент має внутрішній шестигранник 1/4" зі стопорною втулкою для установлення різних змінних робочих інструментів (наприклад, бурів, насадок і тримачів насадок).

7.4.2.1 Установлення змінного робочого інструмента

1. Переведіть перемикач напряму обертання за годинниковою стрілкою/проти неї в середнє положення або від'єднайте акумуляторну батарею від інструмента.
2. Зсуньте стопорну втулку на внутрішній шестигранник вперед і міцно тримайте її в цьому положенні.
3. Уставте змінний робочий інструмент до упора у внутрішній шестигранник і відпустіть стопорну втулку.
4. Перевірте надійність кріплення змінного робочого інструмента.

7.4.2.2 Виймання змінного робочого інструмента

1. Переведіть перемикач напряму обертання за годинниковою стрілкою/проти неї в середнє положення або від'єднайте акумуляторну батарею від інструмента.
2. Зсуньте стопорну втулку на внутрішній шестигранник вперед і міцно тримайте її в цьому положенні.
3. Витягніть змінний робочий інструмент з внутрішнього шестигранника і відпустіть стопорну втулку.

uk

7.5 Свердління

ОБЕРЕЖНО

Для надійного утримання заготовки використовуйте затискний пристрій або ж лецата. Так вона буде зафіксована надійніше, ніж коли її просто утримувати в руці, крім того, у вас обидві руки будуть вільні для роботи з інструментом.

1. Поверніть регульовальне кільце для встановлення обертового моменту і свердління на символ свердління.
2. Установіть перемикач напряму обертання за годинниковою стрілкою/проти неї в положення «за годинниковою стрілкою».

7.6 Загвинчування

1. Поверніть регульовальне кільце для встановлення обертового моменту та свердління на потрібний обертовий момент.

2. За допомогою перемикача напряму обертання за годинниковою стрілкою/проти неї виберіть бажаний напрям обертання.

7.7 Зчитування показань індикатора стану заряду літій-іонної акумуляторної батареї

ВКАЗІВКА

Під час роботи виконувати зчитування стану заряду батареї неможливо.

ВКАЗІВКА

Під час вставляння акумуляторної батареї в інструмент можливе короткочасне загоряння світлодіодів індикатора стану заряду.

Літій-іонна акумуляторна батарея має індикатор стану заряду. Якщо інструмент не працює, стан заряду можна відобразити за допомогою чотирьох світлодіодів натисканням кнопки блокування на акумуляторній батареї.

8 Догляд і технічне обслуговування

ОБЕРЕЖНО

Перш ніж розпочинати чищення, видаліть з інструмента акумуляторну батарею, щоб уникнути його непередбачуваного й небажаного вмикання!

uk

8.1 Догляд за робочим інструментом

Для того, щоб видаляти накопичення бруду та захищати поверхню робочого інструмента від корозії, досить час від часу протирати їх ганчіркою, просякнутою мастилом.

8.2 Догляд за інструментом

ОБЕРЕЖНО

Утримуйте інструмент, зокрема, його рукоятки, сухим і чистим від бруду і мастил. Для чищення не користуйтеся засобами, що містять в собі силікон.

Зовнішній корпус інструмента виготовлений із ударотривкої пластмаси. Накладка на корпусі виготовлена з еластомерного матеріалу.

Не працюйте з інструментом, якщо в ньому позабивались вентиляційні прорізи! Обережно прочищайте вентиляційні прорізи сухою щіткою. Слідкуйте за тим, щоб всередину корпусу інструмента не потрапляли сторонні предмети. Регулярно очищуйте зовнішні поверхні інструмента вологою протиральною ганчіркою. Для видалення бруду заборонено застосовувати водяний розпилювач, парогенератор або ж струмінь води! Адже це може призвести до порушення електробезпеки інструмента.

8.3 Догляд за літій-іонними акумуляторними батареями

Уникайте потрапляння вологи усередину батареї.

Перед першим введенням акумуляторної батареї в експлуатацію її необхідно повністю зарядити.

Для того щоб максимально подовжити термін служби акумуляторної батареї, припиняйте її експлуатацію відразу ж після того, як помітите, що потужність інструмента значно знизилася.

ВКАЗІВКА

У разі, якщо експлуатацію не буде припинено, інструмент автоматично вимкнеться, щоб попередити пошкодження елементів акумуляторної батареї.

Заряджайте акумуляторні батареї лише за допомогою зарядних пристроїв, що допущені компанією Hilti для заряджання літій-іонних акумуляторних батарей.

ВКАЗІВКА

- Повністю розряджати акумуляторні батареї перед їх черговим заряджанням, як це роблять з нікель-кадмієвими або нікель-металогідридними акумуляторами, немає потреби.
- Переривання процесу заряджання жодним чином не скорочує термін служби акумуляторної батареї.
- Процес заряджання може бути продовжений у будь-який час, і це не призведе до скорочення терміну служби акумуляторної батареї. Ефект пам'яті, як у нікель-кадмієвих або нікель-металогідридних батарей, не спостерігається.
- Зберігати акумуляторні батареї найкраще у повністю зарядженому стані у прохолодному сухому місці. Зберігати акумуляторні батареї за високих температур навколишнього середовища (наприклад, на підвіконні тощо) шкідливо, бо це призводить до скорочення терміну їх служби та до підвищення швидкості саморозрядження елементів батарей.
- Якщо акумуляторну батарею більше не вдається повністю зарядити, це свідчить про втрату нею ємності з причини старіння або перенавантажень під час роботи. Продовжувати працювати з цією акумуляторною батареєю можна. Однак слід якомога швидше замінити її на нову.

uk

8.4 Технічне обслуговування

ПОПЕРЕДЖЕННЯ

До ремонту електричної частини інструмента залучайте лише фахівця-електрика.

Регулярно перевіряйте всі зовнішні деталі інструмента на відсутність пошкоджень та всі його органи керування на справну роботу. Ніколи не працюйте з інструментом, якщо в нього є видимі пошкодження або несправно функціонують органи керування. У випадку необхідності ремонту звертайтеся до сервісної служби компанії Hilti.

8.5 Контроль після виконання догляду й технічного обслуговування

Після проведення догляду й технічного обслуговування перевірте, чи було встановлено всі захисні пристрої та чи функціонують вони належним чином.

9 Пошук несправностей

Несправність	Можлива причина	Усунення
Інструмент не працює.	Акумуляторна батарея неповністю вставлена в інструмент або ж повністю розрядилася.	Акумуляторна батарея повинна зафіксуватися з відчутним клацанням або ж її необхідно зарядити.
	Електрична несправність.	Вийміть акумуляторну батарею з інструмента й зверніться до відділу сервісного обслуговування компанії Hilti.
Вимикач неможливо натиснути або ж він заблокований.	Перемикач на пряму обертання за годинниковою стрілкою/проти неї знаходиться в середньому (транспортному) положенні.	Змістіть перемикач на пряму обертання за годинниковою стрілкою/проти неї вліво або вправо.
Акумуляторна батарея розряджається швидше, ніж звичайно.	Стан заряду акумуляторної батареї неоптимальний.	Здайте на діагностику до відділу сервісного обслуговування компанії Hilti або замініть акумуляторну батарею.

uk

Несправність	Можлива причина	Усунення
Акумуляторна батарея не зафіксується з чітко відчутним «клацанням».	Фіксуючі виступи на акумуляторній батареї забруднилися.	Очистіть фіксуючі виступи від забруднень і зафіксуйте батарею в інструменті належним чином. Якщо несправність не вдалося усунути, зверніться до сервісної служби компанії Hilti.
Інструмент або його акумуляторна батарея сильно перегріваються.	Електрична несправність.	Негайно вимкніть інструмент, вийміть з нього акумуляторну батарею і зверніться до відділу сервісного обслуговування компанії Hilti.
	Інструмент перевантажено (перевищена межа застосування).	Правильно виберіть інструмент відповідно до планованого його застосування.

uk

10 Утилізація

ОБЕРЕЖНО

При неналежній утилізації устаткування можуть мати місце наступні небажані наслідки: При спалюванні пластмасових деталей виникають токсичні гази, що можуть призвести до захворювання людей. При пошкодженні або сильному нагріванні акумулятори можуть вибухнути, спричинивши при цьому отруєння, опіки, в тому числі хімічні, або й забруднення довколишнього середовища. При порушенні правил утилізації сторонні особи можуть несанкціоновано користуватися устаткуванням. Наслідком можуть стати тяжке травмування самих себе та сторонніх, а також забруднення довколишнього середовища.

ОБЕРЕЖНО

Акумулятори, що вийшли з ладу, негайно здавайте на утилізацію. Тримайте їх подалі від дітей. Забороняється розбирати акумулятори або спалювати їх.

ОБЕРЕЖНО

Здавайте використані акумуляторні батареї для утилізації згідно до чинних національних норм і приписів або повертайте їх у найближче представництво компанії Hilti.



Більшість матеріалів, з яких виготовлено інструменти компанії Hilti, придатні для вторинної переробки. Передумовою для їх вторинної переробки є належне розділення за матеріалами. У багатьох країнах компанія Hilti вже уклала угоди про повернення старих інструментів, що відслужили своє, для їх утилізації. Із цього приводу звертайтеся до відділу сервісного обслуговування або до свого торговельного консультанта.



Тільки для країн-членів ЄС

Не викидайте електроінструмент у баки для побутового сміття!

Згідно з Директивою Європейського Союзу щодо утилізації старого електричного та електронного устаткування та з національним законодавством електроінструменти, термін служби яких закінчився, необхідно збирати окремо і утилізувати екологічно безпечним способом.

uk

11 Гарантійні зобов'язання виробника інструмента

Із питань гарантії звертайтеся до Вашого місцевого партнера компанії HILTI.

12 Сертифікат відповідності ЄС (оригінал)

Назва:	Акумуляторний гвинтокрут
Позначення типу:	SF 2-A/SFD 2-A
Версія:	01
Рік випуску:	2013

Зі всією належною відповідальністю заявляємо, що цей виріб відповідає наступним директивам і стандартам: 2006/42/EG, 2004/108/EG, 2006/66/EG, 2011/65/EC, EN 60745-1, EN 60745-2-1, EN 60745-2-2, EN ISO 12100.



Paolo Luccini
Head of BA Quality and Process Management
Business Area Electric Tools & Accessories
03/2014



Tassilo Deinzer
Executive Vice President
Business Unit Power Tools & Accessories
03/2014

Технічна документація:

Hilti Entwicklungsgesellschaft mbH
Zulassung Elektrowerkzeuge
Hiltistrasse 6
86916 Kaufering
Deutschland

ПАЙДАЛАНУ БОЙЫНША ТҮПНҰСҚА НҰСҚАУЛЫҚ

аккумуляторлық бұрғылайтын бұрауыш SF 2-A/SFD 2-A

Жұмысты бастау алдында міндетті түрде пайдалану бойынша нұсқаулықты оқып шығыңыз.

Әрқашан осы пайдалану бойынша нұсқаулықты аспаптың жанында сақтаңыз.

Иесі ауысқанда міндетті түрде пайдалану бойынша нұсқаулықты аспаппен бірге беріңіз.

Мазмұны

1	Жалпы ақпарат	301
2	Сипаттамасы	303
3	Аспаптар, қосалқы құралдар	305
4	Техникалық сипаттамалар	306
5	Қауіпсіздік техникасы бойынша нұсқаулар	308
6	Жұмысқа дайындық	315
7	Қызмет көрсету	317
8	Күту және техникалық қызмет көрсету	320
9	Ақаулықтарды жою	322
10	Утилизация	323
11	Өндіруші кепілі	324
12	ЕС нормаларына сәйкестік декларациясы (түпнұсқа)	324

1 Иллюстрациялар сандармен белгіленген. Мәтінге иллюстрациялар мұқабаның ішкі жақтарында орналастырылған. Аспаппен танысқан кезде, оларды көрнекілік үшін ашыңыз.

Осы пайдалану бойынша нұсқаулықтың мәтінінде «аспап» сөзі әрқашан SF 2-A немесе SFD 2-A салынған аккумулятор жинағышы бар аккумуляторлық бұрғылайтын бұрауышты білдіреді.

Аспаптың құрамдастары, басқару бөлшектері және индикация элементтері 1

- ① Жылдам қысқыш бұрғы патроны (SF 2-A)
- ② Бұрау моментімен бұрғылау үшін реттеу шеңбері
- ③ Жылдамдық ауыстырып-қосқышы
- ④ Алты қырлы шұңқырша бұғаттау төлкесімен (SFD 2-A)
- ⑤ Оңға/солға айналу бағытын айырып-қосқышы
- ⑥ Тұтқа
- ⑦ Шам
- ⑧ Белдікке ілуге арналған ілгек (таңдау бойынша)
- ⑨ Зарядтау дәрежесінің индикациясы
- ⑩ Бұғаттаудан шығару түймесі
- ⑪ Реттелетін негізгі сөндіргіш (айналу жиілігі электрондық түрде басқарылатын)

1 Жалпы ақпарат

1.1 Шартты белгілер және олардың мәні

ҚАУІПТІ

Ауыр жарақаттарға әкелуі немесе өмірге қауіп төндіруі мүмкін тікелей жағдайдың жалпы белгіленуі.

НАЗАР АУДАРЫҢЫЗ

Ауыр жарақаттарға әкелуі немесе өмірге қауіп төндіруі мүмкін ықтимал жағдайдың жалпы белгіленуі.

АБАЙЛАҢЫЗ

Жеңіл жарақаттарға немесе аспаптың зақымдалуына әкелуі мүмкін ықтимал қауіпті жағдайдың жалпы белгіленуі.

НҰСҚАУ

Аспапты пайдалану бойынша нұсқаулар және басқа пайдалы ақпарат.

kk

1.2 Пиктограммалардың белгіленуі және басқа нұсқаулар

Ескертетін белгілер



Жалпы қауіп



Тоқ соғу қауіпі



Агрессивті
материал қауіпі

Ұйғарымдайтын белгілер



Қорғауш
көзілдірікті
қолданыңыз



Қорғауш
касканы
қолданыңыз



Қорғауш
құлаққапты
қолданыңыз



Қорғауш
қолғаптарды
қолданыңыз



Жеңіл
респираторды
қолданыңыз

kk

Таңбалар



Жұмыс бастау алдында міндетті түрде пайдалану бойынша нұсқаулықты оқып шығыңыз.



Вольт



Тұрақты ток



Бос жүрістері номиналды айналу жиілігі



Минут ішіндегі айналымдар



Соққысыз бұрғылау



Қоқысты утилизациялау

Аспаптағы идентификациялық мәліметтердің орналасуы

Аспаптың түрі аспаптың астындағы тірек бөлігіндегі зауыттық кестеде, ал сериялық нөмір бүйірінде корпуста көрсетілген. Бұл деректерді пайдалану бойынша нұсқаулығыңызға жазып алыңыз және біздің өкілдіктерге немесе қызмет көрсету пункттеріне барғанда әрқашан соларға сілтеме жасаңыз.

kk

Түрі:

Буын: 01

Сериялық нөмірі:

2 Сипаттамасы

2.1 Тағайындалуы бойынша пайдалану

SF 2-A мен SFD 2-A қолдық аккумулятордық бұрғылайтын бұрауыштар болып бұрандаларды бұрап бекіту немесе алуға және болат, ағаш және пластикті бұрғылауға арналған.

Денсаулыққа қауіпті материалдарды (мысалы, асбесті) қолдануға тыйым салынады.

Аккумуляторды осы нұсқаулықта көрсетілмеген басқа құрылғылармен бірге қолданбаңыз.

Аспаптың конструкциясына өзгертулер енгізуге және оны модификациялауға тыйым салынады.

Қызметкерлердің жарақат алуын және аспаптың зақымдалуын болдырмау үшін тек түпнұсқа Hilti компаниясы шығарған саймандарды және құралдарды қолданыңыз.

Осы пайдалану бойынша нұсқаулықта берілген аспапты пайдалану, күту және техникалық қызмет көрсету бойынша нұсқауларды орындаңыз.

Аспап кәсіби қолдануға арналған, сондықтан оған тек уәкілетті қызметкерлер қызмет көрсете және жөндей алады. Қызметкерлер қауіпсіздік техникасы бойынша арнайы нұсқау алуы керек. Аспапты басқа мақсатта қолдану және оны оқытылмаған қызметкерлердің пайдалануы қауіп тудырады.

Ықтимал аспапты қолдану салалары және түрлері: құрылыс алаңы, шеберхана, әр түрлі жөндеу жұмыстарын орындау.

2.2 Аспап патроны

Жылдам қысқыш бұрғы патроны SF 2-A үлгісі үшін және алты қырлы шұңқырша SFD 2-A моделі үшін.

2.3 Сөндіргіш

Айналу жиілігі электрондық түрде басқарылатын реттелетін негізгі сөндіргіш

kk

Жылдамдық ауыстырып-қосқышы

Қосуды бұғаттауы бар солға/оңға айнарудың ауыстырып қосқышы

Бұрау моментімен бұрғылау үшін реттеу шеңбері

2.4 Тұтқа

Вибрацияны оқшаулағыш негізгі тұтқа

2.5 Чемодандағы жеткізу жинағына мыналар кіреді:

- 1 Аспап
- 1 Пайдалану бойынша нұсқаулық
- 1 Hilti чемоданы

2.6 Картон орауыштағы жеткізу жинағына мыналар кіреді:

- 1 Аспап
- 1 Пайдалану бойынша нұсқаулық

2.7 Аспап жұмыс істеуі үшін қосымша мыналар қажет:

В 12/2.6 Li-Ion аккумулятор жинағы С/С412-50 зарядтау құралымен.

2.8 Литий-иондық аккумулятор жинағының заряд күйінің индикаторы

Жарық диоды үздіксіз жанады	Жарық диоды жыпылықтайды	С батарея күйінің жарық диоды
1, 2, 3, 4 жарық диоды	-	$C \geq 75 \%$
1, 2, 3 жарық диоды	-	$50 \% \leq C < 75 \%$
1, 2 жарық диоды	-	$25 \% \leq C < 50 \%$
1 жарық диоды	-	$10 \% \leq C < 25 \%$
-	1 жарық диоды	$C < 10 \%$

2.9 Жүктеу немесе қыздыру артып кетуінен қорғау

Аспап шамадан тыс жүктемелерден және қызып кетуден электрондық қорғаумен жабдықталған. Шамадан тыс жүктеме түскен немесе қызып кеткен жағдайда аспап автоматты түрде өшеді. Негізгі сөндіргішті жіберіп, қайтадан басса, қайтадан қосылу күту уақыты аяқталғаннан (аспаптың суу кезеңі) кейін орындала алады.

kk

НҰҚАУ

Артық жүктеу немесе қызып кету аккумулятор жинағындағы жарық диод арқылы көрсетіледі.

3 Аспаптар, қосалқы құралдар

Сипаттама	Қысқаша белгіленуі
Литий-иондық аккумуляторға арналған зарядтағыш құрылғы	С 4/12-50
Аккумулятор	В 12/2.6 Li-Ion
Белдікке ілуге арналған ілгек (таңдау бойынша)	

Сипаттама	Сипаттамасы
Жылдам қысқыш бұрғы патроны мин./макс. ішкі диаметрі	∅ 0,8... 10 мм
Ағашта тесіктерді бұрғылау диаметрлерінің диапазоны (жұмсақ түрлер)	∅ 0,8... 14 мм
Ағашта тесіктерді бұрғылау диаметрлерінің диапазоны (қатты түрлер)	∅ 0,8... 10 мм
Металлда тесіктерді бұрғылау диаметрлерінің диапазоны	∅ 0,8... 6 мм
Ағаш бұрандалар (макс. ұзындығы 80 мм)	∅ 3...6 мм

4 Техникалық сипаттамалар

Өндіруші техникалық өзгертулерді енгізу құқығын өзіне қалдырады!

Аспап	SF 2-A	SFD 2-A
Номиналды кернеу (тұрақты ток)	10,8 В	10,8 В
EPTA Procedure 01/2003 процедурасына сай салмағы	1,1 кг	1,0 кг
1-жылдамдық айналымдар саны (В 12/2.6 менен)	0... 400/min	0... 400/min
2-жылдамдық айналымдар саны (В 12/2.6 менен)	0... 1500/min	0... 1500/min
Айналу моменті (бұрандаларды жұмсақ ағашқа бұрау) Орнату Бұрғылау таңбасы	Макс. 12 Нм	Макс. 12 Нм
Айналу моментін реттеу (15 деңгей)	0,5... 3,5 Нм	0,5... 3,5 Нм

kk

НҮСҚАУ

Нұсқаулықта көрсетілген вибрация деңгейі EN 60745 стандартына сай өлшеу әдісінің көмегімен анықталған және оны басқа электр аспаптарымен салыстырғанда пайдалануға болады. Сондай-ақ, бұл ақпараттың негізінде вибрациялық жүктемені алдын ала бағалауды өткізуге болады. Көрсетілген вибрация деңгейі аспапты пайдаланудың негізгі салаларына сай келеді. Алайда, электр аспабы басқа мақсатпен пайдаланылса, басқа жұмыс аспаптарында вибрация деңгейі басқа болуы мүмкін. Осының салдарынан аспаптың бүкіл жұмыс істеу кезеңінде вибрациялық жүктеме айтарлықтай артуы мүмкін. Вибрациялық жүктемені дәл анықтау үшін аспап сөндірілген күйде немесе бос жұмыс істейтін уақыт аралықтарын да ескеру керек. Осының салдарынан аспаптың бүкіл жұмыс істеу кезеңінде вибрациялық жүктеме айтарлықтай төмендеуі мүмкін. Пайдаланушыны пайда болатын вибрациядан қорғау үшін қосымша сақтық шараларын қолданыңыз, мысалы: электр аспабына және жұмыс аспаптарына техникалық қызмет көрсету, қолдардың жылуын сақтау, жұмыс процестерін дұрыс ұйымдастыру.

Шу және вибрация туралы деректер (өлшеулер EN 60745 стандартына сай өткізілген):

SF 2A/SFD 2-A үшін шу деңгейінің типтік A-түзетілген мәні	75 дБ (A)
SF 2A/SFD 2-A үшін дыбыс қысымы деңгейінің типтік A-түзетілген мәні	64 дБ (A)
Жоғарыда берілген шу деңгейі көрсеткіштерінің дәлсіздігі	3 дБ (A)
Үш ось бойынша вибрация мәндері (векторлық қосынды)	EN 60745-2-2 сай өлшенген
SF 2-A/SFD 2-A үшін: Соққысыз бұрғылау, a_n	0,5 м/с ²
Дәлсіздік (K)	1,5 м/с ²
Үш ось бойынша вибрация мәндері (векторлық қосынды)	EN 60745-2-1 сай өлшенген
SF 2-A/SFD 2-A үшін: Метал бойынша бұрғылау, $a_{n,D}$	1,9 м/с ²
Үш ось бойынша вибрацияны өлшеу дәлсіздігі (K)	1,5 м/с ²

kk

Акумулятор	B 12/2.6 Li-Ion
Номиналды кернеу	10,8 В
Қуаттылығы	2,6 Асағ
Энергияны тұтыну шамасы	28,08 Вт/сағ
Салмағы	0,24 кг
Температураны бақылау	Иә
Ұяшықтардың түрі	Литий-иондық
Ұяшықтар блогы	3 дана

5 Қауіпсіздік техникасы бойынша нұсқаулар

НҰСҚАУ

Тараудағы қауіпсіздік 5.1 шаралары күшіне енген ережелерге сай пайдалану бойынша нұсқаулықта көрсету керек электр аспабын қауіпсіз пайдалану бойынша барлық жалпы шараларды қамтиды. Осыған байланысты осы аспапқа қатысты емес ережелер бар болуы мүмкін.

5.1 Электр аспабы үшін қауіпсіздік бойынша жалпы мәліметтер

а) НАЗАР АУДАРЫҢЫЗ

Сақтық шаралары бойынша барлық нұсқауларды және нұсқауларды оқып шығыңыз. Төменде берілген нұсқауларды орындамау электр тогының соғуына, өртке әкелуі мүмкін және/немесе ауыр жарақаттарды тудыруы мүмкін. **Қауіпсіздік техникасы бойынша барлық нұсқауларды және нұсқауларды келесі пайдаланушы үшін сақтаңыз.** Бұдан әрі қолданылатын «электр құрал» термині электр желісінен (желілік кабельмен) және аккумулятордан (желілік кабельсіз) жұмыс істейтін электр құралға қатысты.

5.1.1 Жұмыс орны

- а) **Жұмыс орнындағы тазалықты және тәртіпті қадағалаңыз.** Жұмыс орнындағы ретсіздік және нашар жарық сәтсіз жағдайларға әкелуі мүмкін.
- б) **Жанғыш сұйықтықтар, газдар немесе шаң бар жарылыс қауіп бар аймақта электр құралды қолданбаңыз.** Жұмыс істегенде электр құралдан ұшқындар шығады және ұшқындар шаңды немесе буларды тұтандыруы мүмкін.

- c) Балалардың және бөгде адамдардың жұмыс істеп тұрған электр құралға жақындауына рұқсат етпеңіз. Жұмысқа көңіл бөлмегенде, электр құралын бақылау жоғалуы мүмкін.

5.1.2 Электр қауіпсіздігі

- a) Электр құралдың біріктіруші айыры электр желісінің розеткасына сай болуы керек. Айырдың конструкциясын өзгертпеңіз. Қорғауыш жерге қосуы бар электр аспаптарымен бірге өтпелі айырларды қолданбаңыз. Түпнұсқа айырлар және оларға сай розеткалар электр тогының соғу қаупін азайтады.
- b) Жерге қосылған беттерге, мысалы, құбырларға, жылыту құралдарына, пештерге (плиталарға) және тоңазытқыштарға, тікелей тиюді болдырмаңыз. Жерге қосылған заттарға тигенде электр тогының соғуының үлкен қаупі туындайды.
- c) Электр құралдарды жаңбырдан немесе ылғал әсерінен сақтаңыз. Электр құралға су тиюі нәтижесінде электр тогының соғу қаупі артады.
- d) Кабельді басқа мақсатта қолданбаңыз, мысалы, электр құралды тасымалдау, оны іліп қою немесе электр желісінің розеткасынан айырды шығару үшін. Кабельді жоғары температуралардың, майдың, үшкір жиектердің немесе электр құралдың айналатын түйіндерінің әсерлерінен қорғаңыз. Кабельдің зақымдалуы немесе қабаттасуы нәтижесінде электр тогының соғу қаупі артады.
- e) Егер жұмыстар ашық ауада орындалса, тек бөлмелерден тыс қолдануға рұқсат етілген ұзартқыш кабельдерді пайдаланыңыз. Бөлмелерден тыс қолдануға жарамды ұзартқыш кабельді пайдалану электр тогының соғу қаупін азайтады.
- f) Егер электр құралмен ылғалдылық жағдайларында жұмыс істеуді болдырмау мүмкін емес болса, шығып кететін токтан қорғау автоматын қолданыңыз. Шығып кететін токтан қорғау автоматын қолдану электр тогының соғу қаупін азайтады.

kk

5.1.3 Адамдардың қауіпсіздігі

- a) Ұқыпты болыңыз, әрекеттеріңізге көңіл бөліңіз және электр құралмен жұмыс істеуге дұрыс қараңыз. Шаршасаңыз немесе есірткілер, алкоголь немесе дәрі-дәрмек әсерінің астында болсаңыз, электр құралды пайдаланбаңыз. Электр құралмен ұқыпсыз жұмыс істегендегі мардымсыз қате ауыр жарақаттанудың себебі болуы мүмкін.
- b) Жеке қорғану құралдарын пайдаланыңыз және әрқашан міндетті түрде қорғауыш көзілдірікті киіңіз. Электр құралының түріне және пайдалану жағдайларына байланысты жеке қорғану құралдарын, мысалы, респираторды, ұлтаны сырғымайтын аяқ киімді,

қорғауыш касканы немесе қорғауыш құлаққапты қолдану жарақаттану қаупін азайтады.

- c) **Электр құралының кездейсоқ қосылуын болдырмаңыз. Электр қуатына қосу және/немесе аккумуляторды қою, көтеру немесе тасымалдау алдында электр құрал өшірілгеніне көз жеткізіңіз.** Электр құралды тасымалдағанда саусақтар сөндіргіште болатын немесе қосылған электр құрал желіге қосылатын жағдайлар сәтсіз жағдайларға әкелуі мүмкін.
- d) **Электр құралды қосу алдында реттеуші құрылғыларды және ғайка кілтін алыңыз.** Электр құралдың айналатын бөлігіндегі аспап немесе кілт жарақаттарға әкелуі мүмкін.
- e) **Жұмыс кезінде ыңғайсыз қалыптарға тұрмауға тырысыңыз. Үнемі тұрақты күйді және тепе-теңдікті сақтаңыз.** Бұл күтпеген жағдайларда электр құралды жақсырақ басқаруға мүмкіндік береді.
- f) **Арнайы киімді киіңіз. Өте бос киімді немесе әшекейлерді кимеңіз. Шашты, киімді және қолғапты электр құралдың айналатын түйіндерінен сақтаңыз.** Бос киім, әшекейлер және ұзын шаш оларға ілінуі мүмкін.
- g) **Егер шаңды жинау және кетіруге арналған құрылғыларды қосу қарастырылған болса, олар қосылғанына және мақсаты бойынша қолданылып жатқанына көз жеткізіңіз. Шаңды кетіру модулін пайдалану шаңның зиянды әсерін азайтады.**

5.1.4 Электр құралды қолдану және оған қызмет көрсету

- a) **Электр құралға шамадан тыс жүктеме түсуін болдырмаңыз. Дәл осы жұмысқа арналған электр құралды қолданыңыз.** Бұл ережені сақтау көрсетілген қуат диапазонында жоғарырақ жұмыс сапасын және қауіпсіздігін қамтамасыз етеді.
- b) **Сөндіргіші бұзылған электр құралын қолданбаңыз.** Қосу немесе өшіру қиын электр құрал қауіпті және оны жөндеу керек.
- c) **Электр құралды реттеуге, саймандарды ауыстыруға кірісу алдында немесе жұмыстағы үзіліс алдында розеткадан айырды және/немесе электр құралдан аккумуляторды шығарыңыз.** Бұл сақтық шарасы электр құралдың кездейсоқ қосылуын болдырмайды.
- d) **Қолданылмайтын электр құралдарды балалар жетпейтін жерлерде сақтаңыз. Электр құралды оны пайдалана алмайтын немесе осы нұсқауларды оқып шықпаған тұлғаларға бермеңіз.** Электр құралдар тәжірибесі жоқ пайдаланушылардың қолында қауіпті болады.
- e) **Электр құралдарына ұқыпты қараңыз. Айналмалы бөліктердің мүлтіксіз қызмет ететінін, олардың жүрісінің жеңілдігін, барлық бөліктердің тұтастығын және электр құралдың жұмысына теріс әсер етуі мүмкін зақымдардың жоқтығын тексеріңіз. Ас-**

паптың зақымдалған бөліктерін оны қолдану алдында жөндеуге өткізіңіз. Көп сәтсіз жағдайлардың себебі болып электр құралға техникалық қызмет көрсету ережелерін сақтамау табылады.

- f) **Кескіш аспаптардың үшкір және таза болуын қадағалау керек.** Жұмыс күйінде сақталатын кескіш аспаптардың сыналануы сиректеу болады, оларды басқару жеңілдеу.
- g) **Электр құралды, саймандарды, көмекші құрылғыларды және т.б. нұсқауларға сай пайдаланыңыз.** Бұл кезде жұмыс жағдайларын және орындалатын жұмыстың сипатын ескеріңіз. Электр құралдарды басқа мақсаттарда қолдану қауіпті жағдайларға әкелуі мүмкін.

5.1.5 Аккумуляторлық аспапты пайдалану және оған қарау

- a) **Аккумуляторды тек өндіруші ұсынған зарядтағыш құрылғылардың көмегімен зарядтаңыз.** Зарядтағыш құрылғыны тиісті емес аккумулятор түрлерін зарядтау үшін қолданғанда өрт туындауы мүмкін.
- b) **Аспап пен жұмыс істеу үшін тек тиісті аккумуляторларды қолданыңыз.** Басқа аккумуляторларды пайдалану жарақаттарға әкелуі және өрт тудыруы мүмкін.
- c) **Пайдаланылмайтын аккумуляторларды контакттардың тұйықталуының себебі болуы мүмкін скрепкалардан, тиындардан, кілттерден, инелерден, винттерден және басқа металл заттардан ары сақтаңыз.** Аккумулятор контакттарының тұйықталуы күйіктерге немесе тұтануға әкелуі мүмкін.
- d) **Аккумулятормен тиісті емес түрде жұмыс істегенде одан электролит ағып шығуы мүмкін. Оған тиюді болдырмаңыз. Кездейсоқ тигенде электролитті сумен шайыңыз. Электролит көзге тигенде дәрігер көмегіне жүгініңіз.** Аккумулятордан ағып шыққан электролит тері тітіркенуін немесе күйіктерді тудыруы мүмкін.

kk

5.1.6 Қызмет

- a) **Электр құралды жөндеуді тек түпнұсқа қосалқы бөлшектерді қолданатын білікті қызметкерлерге сеніп тапсырыңыз.** Бұл электр құралды қауіпсіз күйде сақтауды қамтамасыз етеді.

5.2 Дрельдермен жұмыс істегендегі қауіпсіздік техникасы бойынша нұсқаулар

- a) **Қорғауыш құлаққапты киіңіз.** Шу әсерінің нәтижесінде есту қабілеті жоғалуы мүмкін.

- b) **Аспап жинағына кіретін қосымша тұтқыштарды қолданыңыз.** Аспапты бақылауды жоғалту жарақаттарға әкелуі мүмкін.
- c) **Halten Sie das Gerät an den isolierten Griffflächen, wenn Sie Arbeiten ausführen, bei denen das Einsatzwerkzeug verborgene Stromleitungen treffen kann.** Электр сымдарының тиіп тұрған жері аспаптың металдан жасалған бөлігіне ток өткізіп, сізді ток соғуы мүмкін

5.3 Қауіпсіздік техникасы бойынша қосымша ережелер

5.3.1 Адамдардың қауіпсіздігі

- a) **Бұранда/винт жасырын электр сымдарын зақымдауы мүмкін жұмыстарды жүргізгенде электр аспабын тұтқалардың изоляцияланған беттерінен ұстаңыз.** Винт/бұранда кернеу астындағы электр сымдарына тиген жағдайда аспаптың металл бөліктері электр тогының өткізгіштеріне айналып, электр тогының соғуына әкелуі мүмкін.
- b) **Аспапты әрқашан екі қолмен арнайы жасалған тұтқалардан ұстау керек. Тұтқалар құрғақ, таза, маймен ластанбаған болуы керек.**
- c) **Жұмыс уақытында қолдар терлемеуі үшін саусақтарды босату және жаттықтыру үшін үзілістер жасаңыз.**
- d) **Аспаптың айналатын бөлшектеріне тимеңіз. Аспапты тек жұмыс аймағына әкелгеннен кейін ғана қосыңыз.** Айналатын түйіндерге, әсіресе айналатын қондырмаларға тию жарақаттарға әкелуі мүмкін.
- e) **Аспапты сақтау және тасымалдау кезінде қосуды бұғаттауды белсендіріңіз (сол/оң айналу ауыстырып қосқышы ортаңғы күйге орнатылған).**
- f) **Аспап тиісті нұсқау алусыз балалардың немесе денесі әлсіреген тұлғалардың пайдалануына арналмаған.**
- g) **Балалар оларға аспаппен ойнауға тыйым салынғаны туралы білуі керек.**
- h) **Құрамында қорғасын бар материалдарды, ағаштың кейбір түрлерін, минералдарды және металлдарды өңдеу кезінде пайда болатын шаң денсаулыққа қауіп тудыруы мүмкін. Мұндай шаңның бөлшектерімен дем алу немесе оған тию аллергиялық реакциялардың және/немесе дем алу жолдары ауруларының пайда болуына әкелуі мүмкін. Кейбір шаң түрлері (мысалы, еменді немесе шамшатты өңдеу кезінде пайда болатын шаң) канцерогенді деп есептеледі, әсіресе ағашты өңдеу үшін қолданылатын қосымша материалдармен (хром қышқылының тұзы, ағашты қорғау заттары) тіркесімде. Құрамында асбест бар материалдарды өңдеуді тек мамандар орындауы керек. **Мүмкін болса жарамды шаңсорғыш аппаратты қолданыңыз. Шаңды****

оптималды кетіру үшін бұл электр құралды Hilti компаниясы ағаш үгінділерін және/немесе минералдық шаңды тазалау үшін ұсынылған тиісті тасымалданатын шаңсорғышпен тіркесімде қолданыңыз. Жұмыс аймағының жақсы желдетілуін қамтамасыз етіңіз. P2 класты сүзгісі бар респираторды кию ұсынылады. Материалдарды өңдеу бойынша күшіндегі ұлттық нұсқауларды орындаңыз.

5.3.2 Электр аспабымен дұрыс жұмыс істеу және оны дұрыс пайдалану

- a) **Затты берік бекітіңіз. Затты бекіту үшін струбциналарды немесе қыспақтарды қолданыңыз.** Бұл оны қолмен ұстап тұрудан сенімдірек және бұл кезде аспапты екі қолмен ұстауға болады.
- b) **Аспапта қысқыға сай соңдары бар екеніне және қысқыда берік бекітілетініне көз жеткізіңіз.**
- c) **Үлкен, салмалы құралдарды тек бірінші берілісте пайдалануға рұқсат етіледі.** Әйтпесе өшкен кезде жабдық зақымдалуы немесе жағымсыз жағдайларда патрон әлсіреуі мүмкін.

5.3.3 Аккумулятормен ұқыпты жұмыс істеу және оны дұрыс пайдалану

- a) **Аккумуляторды орнату алдында аспап өшірілген бе, соны тексеріңіз.** Қосылған электр аспабына аккумуляторды орнату ауыр жазымдарға әкелуі мүмкін.
- b) **Аккумуляторларды от және жоғары температура көздерінен алыста сақтаңыз.** Жарылыс қаупі бар.
- c) **Аккумуляторларды бөлшектеуге, қысуға, 80°C-тан жоғары температураға дейін қыздыруға немесе аккумуляторларды жағуға тыйым салынады.** Әйтпесе өрт, жарылыс немесе күйік қаупі бар.
- d) **Аккумулятор ішіне ылғал кіруін болдырмаңыз, әйтпесе қысқа тұйықталу орын алуы мүмкін.** Қысқа тұйықталу күйіктерге немесе өртке әкелуі мүмкін.
- e) **Тиісті аспаппен бірге ntr пайдалануға рұқсат етілген аккумуляторлар жинақтарын пайдаланыңыз.** Рұқсат етілмеген аккумуляторлар жинағын пайдаланғанда немесе оларды рұқсат етілмеген мақсаттарда пайдаланған жағдайда тұтану немесе жарылыс қаупі болады.
- f) **Литий-иондық аккумуляторларды тасымалдау, сақтау және пайдалану бойынша арнайы директивалардың талаптарын орындаңыз.**

kk

- г) Аспапты тасымалдауды тек аккумулятор шығарылған түрде орындалуы керек.
- h) Аккумуляторда қысқа тұйықталудың орын алуын болдырмаңыз. Аккумуляторды аспапқа орнату алдында аккумулятордағы контакттарда және аспапта ластанулар жоқ екенін тексеріңіз. Аккумулятор контактары қысқа тұйықталған жағдайда өрт, жарылыс және ойып түсетін заттардан күйік алу қаупі бар.
- i) **Зақымдалған аккумуляторларды (мысалы, сызаттары бар, бөліктері сынған, контактары бүгілген және/немесе созылған аккумуляторларды) зарядтауға және қайта қолдануға тыйым салынады.**
- j) Егер тиген кезде аккумулятор тым ыстық болса, оның ақаулығы болуы мүмкін. **Құрылғыны тұтану қаупі жоқ орынға, тұтанғыш материалдардан алыс, оны бақылауға болатындай қойыңыз және оны сууға қалдырыңыз. Аккумулятор суығанда Hilti сервистік қызметіне барыңыз.**

5.3.4 Электр қауіпсіздігі



kk

Жұмысты бастау алдында жұмыс орнында жасырын электр сымдарының, газ және су жүргізу құбырларының бар-жоғын тексеріңіз, мысалы, металл іздегіш көмегімен. Электр сымдарына кездейсоқ тиіп кетсе, аспаптың ашық металл бөліктері электр тогының өткізгіштеріне айналуы мүмкін. Бұл кезде электр тогының соғу қаупі пайда болады.

5.3.5 Жұмыс орны

- a) **Жұмыстарды өткізу орнына жақсы жарық түсіруді қамтамасыз етіңіз.**
- b) **Жұмыс аймағының жақсы желдетілуін қамтамасыз етіңіз. Нашар желдетілетін жұмыс аймағы шаңның жоғары жиналуына байланысты кеніл-күй нашарлауына себеп болуы мүмкін.**

5.3.6 Жеке қорғану құралдары



Аспаппен жұмыс істегенде жұмыс істейтін адам және оның жанындағы тұлғалар тиісті қорғауыш көзілдірікті, қорғауыш шлемді, қорғауыш құлаққапты, қорғауыш қолғаптарды және жеңіл респираторды киюі керек.

6 Жұмысқа дайындық



kk

6.1 Аккумуляторға ұқыпты қарау

НҰҚАУ

Төмен температурада аккумулятордың қуаттылығы төмендейді. Тек толығымен зарядталған аккумулятормен жұмыс істеңіз. Бұл аккумулятор жұмысының тиімділігін жақсартады. Разрядталған аккумулятор жинағын уақтылы басқасына алмастырыңыз. Аккумуляторды дереу зарядтаңыз, кейіннен ауыстырыңыз.

Аккумулятор жинағын салқын және құрғақ жерде сақтаңыз. Аккумулятор жинағын күн көзінде, жылыту құралдарында немесе терезе сыртында сақтауға тыйым салынады. Қызмет көрсету мерзімі аяқталғанда аккумуляторды қоршаған ортаға және адам денсаулығына зиян келтірмейтіндей тастау керек.

6.2 Аккумуляторды зарядтау



ҚАУІПТІ

Тек «Саймандар» тарауында тізілген тиісті Hilti аккумуляторларын және Hilti зарядтағыш құрылғыларын қолданыңыз.

6.2.1 Жаңа аккумуляторды бірінші рет зарядтау

Пайдалану алдында жаңа аккумуляторды толығымен зарядтау керек.

6.2.2 Пайдаланған аккумулятор жинағын зарядтау

Аккумулятор жинағын тиісті зарядтағыш құрылғыға зарядталуға қою алдында аккумулятордың сыртқы беті таза және құрғақ екенін тексеріңіз. Зарядтау әдісі туралы ақпаратты зарядтау құралының пайдалану нұсқаулығында табасыз.

Литий-иондық аккумулятор жинақтарын жартылай зарядталған күйде де пайдалану мүмкін.

kk 6.3 Аккумуляторды орнату

АБАЙЛАҢЫЗ

Аккумуляторды орнату алдында аспаптың өшірілгеніне және қосуды бұғаттау белсендірілгеніне (оңға/солға айналу ауыстырып қосқышы ортаңғы күйде) көз жеткізіңіз. Тек сіздің аспабыңыз үшін рұқсат етілген түпнұсқа Hilti аккумуляторын қолданыңыз.

АБАЙЛАҢЫЗ

Аккумуляторды аспапқа салудан бұрын аккумулятордың байланыстары мен аспаптың байланыстары басқа заттардың әсеріне ұшырамайтынына көз жеткізіңіз.

1. Аккумулятор жинағын аспап алдынан ол естіліп шертіліп тірелгенше жылжытыңыз.
2. **АБАЙЛАҢЫЗ** Аккумулятордың құлауы Сіз және басқа тұлғалар үшін қауыпты жағдайға әкелуі мүмкін.
Аккумулятордың берік бекітілгенін тексеріңіз.

6.4 Аккумулятор жинағын салу 2

1. Бұғаттаудан ашу пернесін басыңыз.
2. Аккумулятор жинағын аспаптан алға шығарыңыз.

6.5 Аккумуляторды тасымалдау және сақтау

Аккумулятор жинағын тасымалдау және сақтау үшін аспаптан шығарыңыз. Аккумулятор жинағының контактілері қысқа тұйықталмауына көз жеткізіңіз. Чемоданнан, аспаптар жәшігінен немесе тасымалдау контейнерінен бос металл заттарды алып тастаңыз, мысалы: винттер, шегелер, скобалар, биталар, сым бөліктері немесе металл жоңқалары – және бұл заттардың аккумулятор жинағына тиюін болдырмаңыз.

Аккумуляторларды жібергенде (көлік, темір жол, теңіз немесе әуе транспортымен) күшіне енген халықаралық тасымалдау ережелерін сақтау керек.

6.6 Белдікке ілуге арналған ілгек

АБАЙЛАҢЫЗ

Жұмысты бастау алдында белдік ілгегі берік бекітілгенін тексеріңіз.

Ілгек аспапты белдікке ілуге мүмкіндік береді. Егер пайдаланушы солақай болса, белдікке ілуге арналған ілгекті құрылғының басқа шетінде орнатуға болады.

1. Аккумулятор жинағын аспаптан шығарыңыз.
2. Монтаждық пластинаны осы мақсатқа арналған тесікке салыңыз.
3. Белдікке ілуге арналған ілгекті екі винтпен бекітіңіз.

7 Қызмет көрсету

kk



АБАЙЛАҢЫЗ

Жұмыс барысында аспап қызуы мүмкін. **Қорғауыш қолғаптарды пайдаланыңыз.**

АБАЙЛАҢЫЗ

Бұрғылау мен бұрау кезінде аспап шетке ауытқуы мүмкін.

АБАЙЛАҢЫЗ

Жарақаттануларды болдырмау үшін жұмыс аспабын ауыстырғанда қорғауыш қолғаптарды пайдаланыңыз.

7.1 Айналу бағытын орнату **4**

НҰСҚАУ

Оңға/солға айналу ауыстырып қосқышының көмегімен аспап шпинделінің айналу бағытын таңдауға болады. Бұғаттау электр қозғалтқышы жұмыс істеп тұрғанда бағытты ауыстырудан қорғайды. Ауыстырып қосқыш ортаңғы күйде болғанда, негізгі сөндіргіш бұғатталған болады. Оңға/солға айналу ауыстырып қосқышын сол күйге (аспаптың жұмыс жүрісінің бағытында) орнатқанда оңға айналу орнатылады. Оңға/солға айналу ауыстырып қосқышын оң күйге (аспаптың жұмыс жүрісінің бағытында) орнатқанда солға айналу орнатылады.

7.2 Айналымдар санының аймағын таңдау **5**

НАЗАР АУДАРЫҢЫЗ

Үлкен, салмалы құралдарды тек бірінші берілісте пайдалануға рұқсат етіледі. Әйтпесе өшкен кезде жабдық зақымдалуы немесе жағымсыз жағдайларда патрон әлсіреуі мүмкін.

НҰСҚАУ

Жылдамдық ауыстырып-қосқышымен айналымдар санының аймағын таңдау мүмкін. SF 2-A/SFD 2-A үшін айналымдар саны аймақтары аккумулятор жинағы толық зарядталғанда: 1-басқыш: 0-400/мин, 2-жылдамдық: 0-1500/мин.

kk

НҰСҚАУ

Жылдамдық ауыстырып-қосқышын тек қозғалтқыш тоқтағанда іске қосу мүмкін.

7.3 Қосу/өшіру

Іске қосқыш сөндіргішін баяу басу арқылы айналу жиілігін максималды айналым санына дейін реттеуге болады.

7.4 Аспапты ауыстыру

АБАЙЛАҢЫЗ

Жұмыс аспаптарын ауыстыру үшін қорғауыш қолғаптарды қолданыңыз, өйткені аспаптар жұмыс кезінде қатты қызады.

Жұмыс аспабының арты таза екеніне көз жеткізіңіз. Қажет болса, оны тазалаңыз.

7.4.1 SF 2-A аспабында сайман алмастыру

НҰСҚАУ

Аспап түрлі саймандарды (мысалы, бұрғы, бита мен бита ұстағышы) орнатуға арналған жылдам қосқыш бұрғы патронымен жабдықталған.

7.4.1.1 Жұмыс аспабын орнату

1. Оңға/солға айналу ауыстырып қосқышын ортаңғы күйге өткізіңіз немесе аккумуляторды аспаптан ажыратыңыз.
2. Жылдам қысқыш бұрғы патронын ашыңыз.
3. Сайманды аспап патронына апарып жылдам қысқыш бұрғы патронын бұрап бекітіңіз.
4. Аспаптың берік бекітілгеніне көз жеткізіңіз.

7.4.1.2 Жұмыс аспабын шығару

1. Оңға/солға айналу ауыстырып қосқышын ортаңғы күйге өткізіңіз немесе аккумуляторды аспаптан ажыратыңыз.
2. Жылдам қысқыш бұрғы патронын ашыңыз.
3. Жұмыс аспабын патроннан шығарыңыз.

7.4.2 SF 2-A аспабында сайман алмастыру

НҮСҚАУ

Аспап 1/4" алты қырлы шұңқыршамен бұғаттау төлкесімен түрлі саймандарды орнатуға арналған (мысалы, бұрғы, бита мен бита ұстағышы).

7.4.2.1 Жұмыс аспабын орнату

1. Оңға/солға айналу ауыстырып қосқышын ортаңғы күйге өткізіңіз немесе аккумуляторды аспаптан ажыратыңыз.
2. Бұғаттау төлкесін алты құрлы шұңқыршасынан алға жылжытып осы күйде ұстаңыз.
3. Сайманды алты құрылы шұңқыршаға тірелгенше салып бұғаттау төлкесін жіберіңіз.
4. Аспаптың берік бекітілгеніне көз жеткізіңіз.

kk

7.4.2.2 Жұмыс аспабын шығару

1. Оңға/солға айналу ауыстырып қосқышын ортаңғы күйге өткізіңіз немесе аккумуляторды аспаптан ажыратыңыз.
2. Бұғаттау төлкесін алты құрлы шұңқыршасынан алға жылжытып осы күйде ұстаңыз.
3. Сайманды алты қырлы шұңқыршадан тартып бұғаттау төлкесін жіберіңіз.

7.5 Бұрғылау

АБАЙЛАҢЫЗ

Затты бекіту үшін қысқыш құралдарды немесе қыспақтарды қолданыңыз. Олар затты қолдан гөрі сенімдірек бекітеді. Бұған қоса, қолдарды аспаппен жұмыс істеуге босатуға мүмкіндік береді.

1. Айналу моментін және бұрғылау реттеу сақинасын «Бұрғылау» таңбасына орнатыңыз.
2. Оңға/солға айналу ауыстырып қосқышын оң күйге өткізіңіз.

7.6 Бұранда бұрағыш режимінде жұмыс істеу

1. Керекті айналу моментін айналау моменті мен бұрғылауды реттеу сақинасында таңдаңыз.
2. Оңға/солға айналу ауыстырып қосқышының көмегімен қажетті бағытты таңдаңыз.

7.7 Литий-иондық аккумулятордың зарядталу индикаторының көрсеткіштерін тексеру

НҰСҚАУ

Жұмыс істеу кезінде зарядталу деңгейі индикациясын шақыру мүмкін емес.

НҰСҚАУ

kk Аккумулятор жинағын аспапқа салуда зарядтау күйі индикаторының жарық диоды қысқа жануы мүмкін.

Литий-иондық аккумулятор зарядталу деңгейі индикаторымен жабдықталған. Егер аспап жұмыс істемесе заряд күйі аккумулятор жинағындағы бұғаттау пернесін басылып төрт жарық диод арқылы көрсетіледі.

8 Күту және техникалық қызмет көрсету

АБАЙЛАҢЫЗ

Аспапты тазалауды бастау алдында кездейсоқ қосылуды болдырмау үшін аккумуляторды алыңыз!

8.1 Аспапты күту

Аспапты ластанулардан тазалаңыз және аспаптардың бетін коррозиядан қорғаңыз. Бұл үшін тиісті жерлерді майға малынған матамен сүртіп шығу керек.

8.2 Аспапты күту

АБАЙЛАҢЫЗ

Аспапты, әсіресе тұтқыштың беттерін, таза және құрғақ күйде, май мен майлайтын майдың іздерінсіз сақтаңыз. Құрамында силикон бар тазалағыш заттарды қолдануға тыйым салынады.

Аспаптың сыртқы корпусы соққыға төзімді пластмассадан жасалған. Корпустағы қаптама эластомерден жасалған.

Жұмыс істегенде корпус қақпағындағы ойықтарды жаппаңыз! Желдету ойығын құрғақ щеткамен тазалаңыз. Аспап корпусының ішіне бөгде заттар түспеуін қадағалаңыз. Аспаптың сыртқы бетін тұрақты түрде ылғалды шүберекпен тазалаңыз. Су бүріккішін, бу генераторын немесе су ағынын пайдалануға тыйым салынады! Мұндай заттармен тазалағанда аспаптың электр қауіпсіздігі бұзылады.

8.3 Литий иондық аккумулятор жинақтарын күту

Ылғалдың тиюін болдырмаңыз.

Бірінші пайдалану алдында аккумуляторларды толығымен зарядтаңыз. Аккумулятор жинағының қызмет көрсету мерзімі максималды болуын қамтамасыз ету үшін аккумулятор жинағының қуаттылығы төмендеуі кезінде зарядсыздауды тоқтатыңыз.

НҰҚАУ

Аспапты одан әрі пайдаланғанда элементтерінің зақымдалуын болдырмау үшін аккумулятордың зарядсыздануын автоматты түрде үзу орын алады.

Аккумуляторларды зарядтау үшін тек рұқсат етілген литий-иондық аккумуляторларға арналған Hilti зарядтағыш құрылғыларын пайдаланыңыз.

НҰҚАУ

- NiCd немесе NiMH аккумулятор жинақтары сияқты, аккумулятор жинағының регенерациясы қажет емес.
- Зарядтау процесін үзу аккумулятор жинағының қызмет көрсету мерзіміне әсер етпейді.
- Зарядтау процесін кез келген уақытта бастауға болады. Бұл аккумулятордың қызмет көрсету мерзіміне әсер етпейді. Li-Ion аккумуляторларына NiCd или NiMH аккумуляторлар жинақтарында сияқты жад әсері тән емес.
- Аккумулятор жинақтарын толық зарядталған күйде, салқын және құрғақ жерде ең жақсы сақталады. Аккумуляторларды жоғары температура жағдайларында (терезе сыртында) сақтау ұсынылмайды. Бұл аккумулятордың қызмет көрсету мерзімін

kk

қысқартады және оның элементтерінің өзіндік разрядталу коэффициентін арттырады.

- Аккумулятор жинағының толық зарядталмауының себептері болып тотығу немесе сыйымдылықтың азаюы табылады. Осы аккумулятор жинағымен жұмыс істеу мүмкін емес. Аккумулятор жинағын жылдам жаңасымен алмастыру қажет.

8.4 Техникалық қызмет көрсету

НАЗАР АУДАРЫҢЫЗ

Аспаптың электр бөлігін жөндеуді тек маман-электрикке тапсырыңыз.

Тұрақты түрде аспаптың түйіндерінде зақымдар жоқ екенін, сондай-ақ, барлық басқару бөлшектерінің және құрамдастардың дұрыстығын тексеріңіз. Бөлшектері зақымдалған немесе басқару элементтері ақаулы аспапты қолдануға тыйым салынады. Hilti қызмет көрсету орталығына барыңыз.

8.5 Күту және техникалық қызмет көрсету жұмыстарынан кейін бақылау

Аспапты күтіп, техникалық қызмет көрсеткеннен кейін барлық қорғауыш құрылғылар орнатылғанына және дұрыс қызмет ететініне көз жеткізіңіз.

kk

9 Ақаулықтарды жою

Ақаулық	Ықтимал себеп	Ақаулықтарды жою
Аспап жұмыс істемейді.	Аккумулятор аспапқа толық қойылмаған немесе разрядталған.	Аккумулятор естілетін шырт етумен бекітілуі және зарядталған болуы керек.
	Электр бөлігі бойынша ақаулық.	Аккумуляторды аспаптан алыңыз және Hilti қызмет көрсету орталығына барыңыз.
Негізгі іске қосқыш сөндіргіш басылмайды немесе бұғатталған.	Оңға/солға айналу ауыстырып қосқышы ортаңғы күйде (тасымалдауға арналған күй).	Оңға/солға айналу ауыстырып қосқышын солға немесе оңға бұрыңыз.

Ақаулық	Ықтимал себеп	Ақаулықтарды жою
Аккумулятор әдеттегіден тезірек разрядталады.	Аккумулятордың күйі оптималды емес.	Hilti қызмет көрсету орталығында диагностиканы қайталау немесе аккумуляторды ауыстыру керек.
Аккумулятор бекітілгенде оған тән қос шырт өткен дыбыс естілмейді.	Аккумулятордағы бекітетін ілгешектер ластанған.	Аккумулятордағы ілгешектерді тазалаңыз және аккумуляторды қойыңыз. Мәселелер пайда болғанда Hilti қызмет көрсету орталығына барыңыз.
Аспап немесе аккумулятор жылуды қарқынды түрде шығарады.	Электр бөлігі бойынша ақаулық.	Аспапты өшіріңіз, аккумуляторды алыңыз және Hilti сервистік орталығына барыңыз.
	Аспапқа шамадан тыс жүктеме түсірілген (мүмкін шек асырылған).	Мақсаты бойынша аспапты оптималды таңдау.

kk

10 Утилизация

АБАЙЛАҢЫЗ

Жабдықты тиісті түрде тастамау мыналарға әкелуі мүмкін: Пластик бөлшектерді жаққанда адамдардың ауруға шалдығуына әкелетін ұытты газдар пайда болады. Зақымдалған болса немесе қатты қыздырылса, батареялар жарылып, улануларға, күйіктерге, жарақаттануларға немесе қоршаған ортаны ластауға әкелуі мүмкін. Тастауға жеңілтек қарау бөгде адамдардың аспапты тиісті емес түрде пайдалануына әкелуі мүмкін. Бұл сіздің немесе басқа адамдардың ауыр жарақаттар алуын, сонымен бірге, қоршаған ортаны зақымдауды тудыруы мүмкін.

АБАЙЛАҢЫЗ

Зақымдалған аккумуляторларды дереу тастаңыз. Аспапты балалардан ары ұстаңыз. Аккумуляторды бөлек ұяшықтарға бөлшектемеңіз және жақпаңыз.

АБАЙЛАҢЫЗ

Аккумуляторларды ұлттық ережелерге сай тастаңыз немесе пайдалану мерзімі біткен аккумуляторларды Hilti компаниясына қайтарыңыз.



Hilti аспаптарында қайта өңдеуге болатын көп материалдар бар. Утилизация алдында материалдарды мұқият сұрыптау керек. Көп елдерде Hilti компаниясы ескі электр құралдарын утилизация үшін қайтару туралы келісімдер жасасып қойған. Бұл мәселе бойынша қосымша ақпаратты клиенттерге қызмет көрсету орталығынан немесе Hilti компаниясының техникалық консультантынан алуға болады.



Тек ЕО елдері үшін

Электр құралдарын үй қоқысымен бірге тастамаңыз!

Ескі электрлік және электрондық құрылғыларды жою туралы ЕС еуропалық директивасына және жергілікті заңдарға сәйкес, қолданыста болған электрлік құралдар қоршаған орта үшін қауіпсіз әдіспен жеке утилизациялануы тиіс.

11 Өндіруші кепілі

Кепілдік шарттары туралы сұрақтарыңыз болса жергілікті HILTI серіктесіне хабарласыңыз.

kk

12 ЕС нормаларына сәйкестік декларациясы (түпнұсқа)

Белгіленуі:	аккумуляторлық бұрғылайтын бұрауыш
Аспаптың түрі:	SF 2-A/SFD 2-A
Буын:	01
Шығарылған жылы:	2013

Hilti компаниясы осы өнімнің келесі директивалар мен нормаларға сәйкес келетінін толық жауапкершілікпен жариялайды: 2006/42/EC, 2004/108/EC, 2006/66/EG, 2011/65/EU, EN 60745-1, EN 60745-2-1, EN 60745-2-2, EN ISO 12100.



Paolo Luccini
Head of BA Quality and Process Management
Business Area Electric Tools & Accessories
03/2014



Tassilo Deinzer
Executive Vice President
Business Unit Power Tools & Accessories
03/2014

Техникалық құжаттама:
Hilti Entwicklungsgesellschaft mbH
Zulassung Elektrowerkzeuge
Hiltistrasse 6
86916 Kaufering
Deutschland

kk

安全上のご注意

- 火災、感電、けがなどの事故を未然に防ぐために、次に述べる「安全上のご注意」を必ず守ってください。
- ご使用前に、この「安全上のご注意」すべてをよくお読みのうえ、指示に従って正しく使用してください。
- お読みになった後は、お使いになる方がいつでも見られる所に必ず保管してください。
- 他の人に貸し出す場合は、いっしょに取扱説明書もお渡しください。
- ご使用上の注意事項は、「△危険」、「△警告」と「△注意」に区分していますが、それぞれ次の意味を表します。

△危険 : 誤った取扱いをしたときに、使用者が死亡または重傷を負う可能性が大きい内容のご注意。

△警告 : 誤った取扱いをしたときに、使用者が死亡または重傷を負う可能性が想定される内容のご注意。

△注意 : 誤った取扱いをしたときに、使用者が傷害を負う可能性が想定される内容および物的損害のみの発生が想定される内容のご注意。

なお、**△注意**に記載した事項でも、状況によっては重大な結果に結びつく可能性があります。いずれも安全に関する重要な内容を記載していますので、必ず守ってください。

△ 危険

安全作業のために：

1. 専用の充電器や電池パックを使用してください。
 - 他の充電器で電池パックを充電しないでください。
 - 電池パックは、火への投入、加熱をしない。
 - 電池パックに釘を刺したり、衝撃を与えたり、分解・改造をしない。
 - 電池パックの端子部を金属などで接触させない。
 - 電池パックを金属と一緒に工具箱や釘袋などに保管しない。
 - 本体または充電器からはずした後は、電池パックにバックカバーを必ず取り付ける。
 - 電池パックを火のそばや炎天下など高温の場所で充電・使用・保管しない。
 - 指定した電池パック以外は充電しないでください。破裂して障害や損傷を及ぼす恐れがあります。

 警告

1. 正しく充電してください。
 - この充電器は定格表示してある電源でご使用ください。直流電源やエンジン発電機では使用しないでください。
 - 温度が0°C未満、または温度が45°C以上では電池パックを充電しないでください。
 - 電池パックは、換気の良い場所で充電してください。電池パックや充電器を充電中、布などで覆わないでください。
 - 使用しない場合は、電源プラグを抜いてください。
2. 電池パックの端子間を短絡させないでください。
 - 電池パックを金属と一緒に工具箱や釘袋などに保管しないでください。
3. 感電に注意してください。
 - ぬれた手で電源プラグに触れないでください。
4. 作業場の周囲状況も考慮してください。
 - 充電工具、充電器、電池パックは、雨中で使用したり、湿った、または、ぬれた場所で使用しないでください。
 - 作業場は十分に明るくしてください。
 - 可燃性の液体やガスのある所で使用したり、充電しないでください。
5. 保護メガネを使用してください。
 - 作業時は、保護メガネを使用してください。また、粉じんの多い作業では、防じんマスクを併用してください。

6. 防音保護具を着用してください。
 - 騒音の大きい作業では、耳栓、耳覆い(イヤマフ)などの防音保護具を着用してください。
7. 加工するものをしっかり固定してください。
 - 加工するものを固定するために、クランプや万力などを利用してください。手で保持するより安全で、両手で充電工具を使用できます。
8. 次の場合は、充電工具のスイッチを切り、電池パックを本体から抜いてください。
 - 使用しない、または、修理する場合。
 - 刃物、ビット等の付属品を交換する場合。
 - その他危険が予想される場合。
9. 不意な始動は避けてください。
 - スイッチに指を掛けて運ばないでください。
10. 指定の付属品やアタッチメントを使用してください。
 - 本取扱説明書および弊社カタログに記載されている付属品やアタッチメント以外のものは使用しないでください。
11. 電池パックを火中に投入しないでください。
12. 電池パックの液が目に入ったら直ちにきれいな水で十分洗い、医師の治療を受けてください。
13. 使用時間が極端に短くなった電池パックは使用しないでください。

 注意

- 作業場は、いつもきれいに保ってください。
 - ちらかった場所や作業台は、事故の原因となります。
- 子供を近づけないでください。
 - 作業者以外、充電工具や充電器のコードに触れさせないでください。
 - 作業者以外、作業場へ近づけないでください。
- 使用しない場合は、きちんと保管してください。
 - 乾燥した場所で、子供の手の届かない安全な所または錠のかかる所に保管してください。
 - 充電工具や電池パックを、温度が50°C以上に上がる可能性のある場所(金属の箱や夏の車内等)に保管しないでください。
- 無理して使用しないでください。
 - 安全に能率よく作業するために、充電工具の能力に合った速さで作業してください。
 - モーターがロックするような無理な使い方はしないでください。
- 作業に合った充電工具を使用してください。
 - 小型の充電工具やアタッチメントは、大型の充電工具で行う作業には使用しないでください。
 - 指定された用途以外に使用しないでください。

- きちんとした服装で作業してください。
 - だぶだぶの衣服やネックレス等の装身具は、回転部に巻き込まれる恐れがあるので、着用しないでください。
 - 屋外での作業の場合には、ゴム手袋と滑り止めのついた履物の使用をお勧めします。
 - 長い髪は、帽子やヘアカバー等で覆ってください。
- 充電工具は、注意深く手入れをしてください。
 - 安全に能率よく作業していたために、刃物類は常に手入れをし、よく切れる状態を保ってください。
 - 付属品の交換は、取扱説明書に従ってください。
 - 充電器のコードは定期的に点検し、損傷している場合は、お買い求めのお店に修理を依頼してください。
 - 延長コードを使用する場合は、定期的に点検し、損傷している場合には交換してください。
 - 握り部は、常に乾かしてきれいな状態に保ち、油やグリースが付かないようにしてください。
- 充電器のコードを乱暴に扱わないでください。
 - コードを持って充電器を運んだり、コードを引っ張ってコンセントから抜かないでください。
 - コードを熱、油、角のどがった所に近づけないでください。
 - コードが踏まれたり、引っ掛けられたり、無理な力を受けて損傷することがないように充電する場所に注意してください。

9. 無理な姿勢で作業をしないでください。
 - ・常に足元をしっかりさせ、バランスを保つようにしてください。
10. 調節キーやレンチ等は、必ず取り外してください。
 - ・スイッチを入れる前に、調節に用いたキーやレンチ等の工具類が取り外してあることを確認してください。
11. 屋外使用に合った延長コードを使用してください。
 - ・屋外で充電する場合、キャブタイヤコードまたはキャブタイヤケーブルの延長コードを使用してください。
12. 油断しないで十分注意して作業を行ってください。
 - ・充電工具を使用する場合は、取扱方法、作業の仕方、周りの状況等十分注意して慎重に作業してください。
 - ・常識を働かせてください。
 - ・疲れている場合は、使用しないでください。
13. 損傷した部品がないか点検してください。
 - ・使用前に、保護カバーやその他の部品に損傷がないか十分点検し、正常に作動するか、また所定機能を発揮するか確認してください。
 - ・可動部分の位置調整および締め付け状態、部品の破損、取付け状態、その他運転に影響を及ぼす全ての箇所に異常がないか確認してください。

- ・電源プラグやコードが損傷した充電器や、落したり、何らかの損傷を受けた充電器は使用しないでください。
 - ・破損した保護カバー、その他の部品交換や修理は、取扱説明書の指示に従ってください。取扱説明書に指示されていない場合は、お買い求めのお店、または弊社営業担当に修理を依頼してください。
 - ・スイッチで始動および停止操作の出来ない充電工具は、使用しないでください。
14. 充電工具の修理は、専門店に依頼してください。
 - ・サービスマン以外の人は充電工具、充電器、電池パックを分解したり、修理・改造は行わないでください。
 - ・充電工具が熱くなったり、異常に気付いた時は点検修理に出してください。
 - ・本製品は、該当する安全規格に適合していますので改造しないでください。
 - ・修理は、必ず弊社営業担当、お買い求めの販売店にお申し付けください。修理の知識や技術のない方が修理しますと、十分な性能を発揮しないだけでなく、事故やけがの原因となります。
- この取扱説明書は、大切に保管してください。

充電式スクリュードライバー / 振動ドリルドライバー使用上の注意

警告

1. 穴あけ作業中、本体が振り回されることがあります。使用中は、本体を確実に保持してください。
 - ・確実に保持していないと、けがの原因になります。
2. 使用中は、先端工具類（キリ、ビットなど）や切り屑などに手や顔などを近づけないでください。
 - ・けがの原因になります。
3. 作業中、工具が電線管・水道管やガス管などの埋蔵物に触れると感電やガス漏れの恐れがあります。作業前に埋蔵物がないかどうか十分確かめてください。
4. 誤って落としたり、ぶつけたときは、先端工具類（ビットなど）や本体などに破損や亀裂、変形がないことをよく点検してください。
 - ・破損や亀裂、変形があると、けがの原因になります。
5. 使用中、本体の調子が悪かったり、異常音が出たときは、直ちにメインスイッチを切って使用を中止し、弊社営業担当またはお買い求めの販売店に点検・修理を依頼してください。
 - ・そのまま使用していると、けがの原因になります。
6. 石綿は人体に有害です。このような成分を含んだ材料を加工するときは、防じん対策をしてください。

注意

1. 先端工具類（キリ、ビットなど）や付属品は、取扱説明書に従って確実に取り付けてください。
 - ・確実にないと、はずれたりし、けがの原因になります。
2. 使用中は、軍手など巻き込まれる恐れがある手袋を着用しないでください。
 - ・回転部に巻き込まれ、けがの原因になります。
3. 細径ドリルビットは折れやすいので注意してください。
4. 騒音からの保護のため、耳栓を着用してください。
5. 作業中は、ヘルメット、安全靴を着用してください。
6. 作業直後の先端工具類（キリ、ビットなど）、材料、切り屑などは非常に熱くなっているため、触れないでください。
 - ・やけどの原因になります。
7. 高所作業のときは、下に人がいないことをよく確かめてください。また、コードを引っ張られたり、引っかけたりしないようにしてください。
 - ・材料や本体などを落としたり、きなど、事故の原因になります。
8. 本体を作動させたまま床などに放置しないでください。
 - ・けがの原因になります。

オリジナル取扱説明書

SF 2-A/SFD 2-A 充電式ドリル / ドライバー

ご使用前にこの取扱説明書を必ずお読みください。

この取扱説明書は必ず工具と一緒に保管してください。

他の人が使用する場合には、本体と取扱説明書を一緒にお渡しください。

目次

1	一般的な注意	332
2	製品の説明	334
3	アクセサリ	335
4	製品仕様	336
5	安全上の注意	337
6	ご使用前に	344
7	ご使用方法	346
8	手入れと保守	348
9	故障かな? と考えた時	350
10	廃棄	351
11	本体に関するメーカー保証	352
12	EU 規格の準拠証明 (原本)	352

ja

1 この数字は該当図を示しています。図は二つ折りの表紙の中にあります。取扱説明書をお読みの際は、これらのページを開いてください。この取扱説明書で「本体」と呼ばれる工具は、常に SF 2-A または SFD 2-A 充電式ドリルドライバーを指しています。

各部名称、操作部 / 表示部名称 **1**

- ① クイックリリースチャック (SF 2-A)
- ② トルクおよび回転設定リング
- ③ 速度選択スイッチ
- ④ ロッキングスリーブ付き六角ソケット (SFD 2-A)
- ⑤ 正回転 / 逆回転切り替えスイッチ
- ⑥ グリップ

- ⑦ LED

- ⑧ ベルトフック（オプション）

- ⑨ 充電状態インジケータ

- ⑩ リリースボタン

- ⑪ 無段変速スイッチ（回転数電子制御式）

1 一般的な注意

1.1 安全に関する表示とその意味

危険

この表記は、重傷あるいは死亡事故につながる危険性がある場合に注意を促すために使われます。

警告事項

この表記は、重傷あるいは死亡事故につながる可能性がある場合に注意を促すために使われます。

注意

この表記は、軽傷あるいは所持物の損傷が発生する可能性がある場合に使われます。

注意事項

この表記は、本製品を効率良く取り扱うための注意事項や役に立つ情報を示す場合に使われます。

ja

1.2 記号の説明と注意事項

警告表示



一般警告事項



電気に関する警告
事項



腐食に関する警告
事項

義務表示



保護メガネを着用してください



保護ヘルメットを着用してください



耳栓を着用してください



保護手袋を着用してください



粉じんの多い作業においては、防じんマスクを着用してください

略号



ご使用前に取扱説明書をお読みください

V

電圧



直流

n_0

無負荷回転数

/min

毎分回転数



回転のみ



リサイクル規制部品です

ja

機種名・製造番号の表示箇所

機種名は本体脚部の銘板上、製造番号はハウジングの側部に表示されています。当データを御自身の取扱説明書にメモ書きしておき、お問い合わせなどの必要な場合に引用してください。

機種名：

製品世代：01

製造番号：

2 製品の説明

2.1 正しい使用

SF 2-A および SFD 2-A は、ネジの取付けと取外し、および鋼材と木材ならびにプラスチックへの穿孔（回転のみ）用の手持ち充電式ドリルドライバーです。

健康を損なう恐れのある母材（アスベストなど）への加工は許されません。本バッテリーパックを他の電気器具の電源用に使用しないでください。

本体の加工や改造は許されません。

けがの可能性を防ぐため、必ずヒルティ純正の、アクセサリーや先端工具のみを使用してください。

取扱説明書に記述されている使用、手入れ、保守に関する事項に留意してご使用ください。

本体はプロ仕様で製作されており、本体の使用、保守、修理を行うのは、認定、訓練された人のみに限ります。これらの人は、遭遇し得る危険に関する情報を入手していなければなりません。本体および付属品の、使用法を知らない者による誤使用、あるいは規定外使用は危険です。

作業区域としては、建設現場、工場での改修・改築・新築工事などが考えられます。

2.2 チャック

SF 2-A モデル用のクイックリリースチャックおよび SFD 2-A モデル用の六角ソケット。

2.3 スイッチ

コントロールスイッチ（回転数電子制御式）

速度選択スイッチ

正回転 / 逆回転切り替えスイッチ（スイッチオンロック付き）

トルクおよび回転設定リング

2.4 グリップ

振動吸収グリップ

2.5 本体標準セット構成（本体ケース版）：

- 1 本体
- 1 取扱説明書
- 1 本体ケース

2.6 本体標準セット構成 (カートン梱包版) :

- 1 本体
- 1 取扱説明書

2.7 本体の作動に必要な追加品目 :

B 12/2.6 Li-Ion バッテリーパック (C4/12-50 充電器付き)

2.8 Li-Ion バッテリーパックの充電状態インジケーター

LED 点灯	LED 点滅	充電状態 C
LED 1、2、3、4	-	$C \geq 75\%$
LED 1、2、3	-	$50\% \leq C < 75\%$
LED 1、2	-	$25\% \leq C < 50\%$
LED 1	-	$10\% \leq C < 25\%$
-	LED 1	$C < 10\%$

2.9 過負荷保護機構および過熱保護機構

本体には電子過負荷保護機構および過熱保護機構が装備されています。過負荷および過熱の際、本体は自動的にオフになります。コントロールスイッチを放して押し直すと、オンになるまでに時間がかかる場合があります (本体の冷却段階)。

ja

注意事項

バッテリーパックの LED は過負荷あるいは過熱を知らせることはありません。

3 アクセサリー

名称	略号
Li-Ion バッテリーパック用充電器	C 4/12-50
バッテリーパック	B 12/2.6 Li-Ion
ベルトフック (オプション)	

名称	製品の説明
クイックリリースチャックのクランプ	φ 0.8... 10 mm
木材 (軟質) への穿孔直径	φ 0.8... 14 mm

名称	製品の説明
木材（硬質）への穿孔直径	φ 0.8... 10 mm
金属への穿孔	φ 0.8... 6 mm
木ネジ（最大長さ 80 mm）	φ 3... 6 mm

4 製品仕様

技術データは予告なく変更されることがあります。

本体	SF 2-A	SFD 2-A
電圧（直流電圧）	10.8 V	10.8 V
重量（EPTA プロシージャ 01/2003 に準拠）	1.1 kg	1.0 kg
第 1 速全負荷回転数（B 12/2.6 使用時）	0... 400/min	0... 400/min
第 2 速全負荷回転数（B 12/2.6 使用時）	0... 1,500/min	0... 1,500/min
トルク設定マーク（軟材質ネジ用）	Max. 12 Nm	Max. 12 Nm
トルク設定（15 ステップ）	0.5... 3.5 Nm	0.5... 3.5 Nm

ja

注意事項

本説明書に記載されている振動レベルは、EN 60745 に準拠した測定方法に基づいて測定したものです。電動工具を比較するのにご使用いただけます。振動負荷の暫定的な予測にも適しています。記載されている振動レベルは、電動工具の主要な使用方法に対する値です。電動工具を他の用途で使用したり、異なる先端工具を取り付けて使用したり、手入れや保守が十分でないまま使用した場合には、振動レベルが異なることがあります。このような相違により、作業時間全体で振動負荷が著しく高くなる可能性があります。振動負荷を正確に予測するためには、本体のスイッチをオフにしている時間や、本体が作動していても実際には使用していない時間も考慮しなければなりません。このような相違により、作業時間全体で振動負荷が著しく低くなる可能性があります。作業者を振動による作用から保護するために、他にも安全対策を立ててください（例：電動工具およびの先端工具の手入れや保守、手を冷やさないようにする、作業手順の編成）。

騒音 / 振動について (EN 60745) :

SF 2-A/SFD 2-A のサウンドパワー レベル	75 dB (A)
-----------------------------	-----------

SF 2-A/SFD 2-A のサウンドプレッシャーレベル	64 dB (A)
-------------------------------	-----------

定格騒音レベルに対する不確実性	3 dB (A)
-----------------	----------

3 軸の振動値 (振動ベクトル合計)	EN 60745-2-2 に準拠
--------------------	------------------

SF 2-A/SFD 2-A: ねじ締め (打撃なし)、 a_h	0.5 m/s ²
------------------------------------	----------------------

不確実性 (K)	1.5 m/s ²
----------	----------------------

3 軸の振動値 (振動ベクトル合計)	EN 60745-2-1 に準拠
--------------------	------------------

SF 2-A/SFD 2-A: 金属への穴明け、 $a_{h,D}$	1.9 m/s ²
------------------------------------	----------------------

3 軸の振動測定の不確実性 (K)	1.5 m/s ²
-------------------	----------------------

バッテリーパック	B 12/2.6 Li-Ion
電圧	10.8 V
容量	2.6 Ah
エネルギー含量	28.08 Wh
重量	0.24 kg
温度モニター	あり
セルの種類	Li-Ion
セルブロック数	3 個

ja

5 安全上の注意

注意事項

5.1 に記載された安全上の注意事項は、電動工具に関する全ての基本的な安全情報を含んでおり、準拠する規格に応じた注意事項がこの取扱説明書に記載されています。したがって、この取扱説明書で説明する機器には関係のない注意事項が含まれていることもあります。

5.1 電動工具の一般安全注意事項

a) 警告事項

安全上の注意および指示事項をすべてお読みください。安全上の注意および指示事項に従わない場合、感電、火災、重度のけがをまねく恐れがあります。安全上の注意および指示事項が書かれた説明書はすべて大切に保管してください。安全上の注意で使用する用語「電動工具」とは、お手持ちの電動ツール（電源コード使用）およびバッテリーツール（コードレス）を指します。

5.1.1 作業環境に関する安全

- 作業場はきれいに保ち、十分に明るくしてください。ちらかった暗い場所での作業は事故を起こす恐れがあります。
- 爆発の危険性のある環境（可燃性液体、ガスおよび粉じんのある場所）では電動工具を使用しないでください。電動工具から火花が飛散し、粉じんや揮発性ガスに引火する恐れがあります。
- 電動工具の使用時、子供や無関係者を作業場へ近づけないでください。作業中に気がそらされると、本体のコントロールを失ってしまう恐れがあります。

5.1.2 電気に関する安全注意事項

- 電動工具の接続プラグは電源コンセントにきちんと適合しなければなりません。プラグは絶対に変更しないでください。アースした電動工具と一緒にアダプタープラグを使用しないでください。オリジナルのプラグと適切なコンセントを使用することにより、感電の危険を小さくすることができます。
- パイプ、ラジエーター、電子レンジ、冷蔵庫などのアースされた面に体の一部が触れないようにしてください。体が触れると感電の危険が大きくなります。
- 電動工具を雨や湿気から保護してください。電動工具に水が浸入すると、感電の危険が大きくなります。
- 電動工具を持ち運んだり、吊り下げたり、コンセントからプラグを抜いたりするときは、必ず本体を持ち、電源コードを持ったり引っ張ったりしないでください。電源コードを火気、オイル、鋭利な刃物、本体の可動部等に触れる場所に置かないでください。コードが損傷したり絡まったりしていると、感電の危険が大きくなります。
- 屋外工事の場合には、屋外専用の延長コードのみを使用してください。屋外専用の延長コードを使用すると、感電の危険が小さくなります。
- 湿った場所で電動工具を起動させる必要がある場合は、漏電遮断機を使用してください。漏電遮断機を使用すると、感電の危険が小さくなります。

5.1.3 作業者に関する安全

- a) 電動工具を使用の際には、油断せずに十分注意し、常識をもった作業をおこなってください。疲れている場合、薬物、医薬品服用およびアルコール飲用による影響下にある場合には電動工具を使用しないでください。電動工具使用中の一瞬の不注意が重傷の原因となることがあります。
- b) 作業保護具および保護メガネを常に着用してください。けがに備え、電動工具使用状況に応じた粉じんマスク、耐滑性の安全靴、ヘルメット、耳栓などの作業保護具を使用してください。
- c) 電動工具の不意な始動は避けてください。電動工具を電源および/またはバッテリーに接続する前や本体を持ち上げたり運んだりする前に、本体がオフになっていることを必ず確認してください。オン/オフスイッチが入っている状態で電動工具のスイッチに指を掛けたまま運んだり、電源に接続したりすると、事故の原因となる恐れがあります。
- d) 電動工具のスイッチを入れる前に、必ず調節キーやレンチを取り外してください。調節キーやレンチが本体の回転部に装着されたままでは、けがの原因となる恐れがあります。
- e) 作業中は不安定な姿勢をとらないでください。足元を安定させ、常にバランスを保つようにしてください。これにより、万一電動工具が異常状況に陥った場合にも、適切な対応が可能となります。
- f) 作業に適した作業着を着用してください。だぶだぶの衣服や装身具を着用しないでください。髪、衣服、手袋を本体の可動部に近づけないでください。だぶだぶの衣服、装身具、長い髪が可動部に巻き込まれる恐れがあります。
- g) 吸じんシステムの接続が可能な場合には、これらのシステムが適切に接続、使用されていることを確認してください。吸じんシステムを利用することにより、粉じん公害を防げます。

ja

5.1.4 電動工具の使用および取扱い

- a) 無理のある使用を避けてください。作業用途に適した電動工具を使用してください。適切な電動工具の使用により、効率よく、スムーズかつ安全な作業が行えます。
- b) スwitchに支障がある場合には、電動工具を使用しないでください。スイッチで始動および停止操作のできない電動工具は危険ですので、修理が必要です。
- c) 本体の設定やアクセサリの交換を行う前や本体を保管する前には電源プラグをコンセントから抜くか、バッテリーを取り外してください。この安全処置により、電動工具の不意の始動を防止することができます。
- d) 電動工具をご使用にならない場合には、子供の手の届かない場所に保管してください。電動工具に関する知識のない方、本説明書をお読み

でない方による本体のご使用はお避けください。未経験者による電動工具の使用は危険です。

- e) 電動工具は慎重に手入れしてください。可動部分が引っ掛かりなく正常に作動しているか、電動工具の運転に影響を及ぼす各部分が破損・損傷していないかを確認してください。電動工具を再度ご使用になる前に、損傷部分の修理を依頼してください。発生事故の多くは保守管理の不十分な電動工具の使用が原因となっています。
- f) 先端工具をきれいに保ってください。お手入れのゆきとどいた先端工具を使用すると、作業が簡単かつ、スムーズになります。
- g) 電動工具、アクセサリ、先端工具などは本説明書内の指示に従って使用してください。この際、作業環境および用途に関してもよくご注意ください。指定された用途以外に電動工具を使用すると危険な状況をまねく恐れがあります。

5.1.5 バッテリーの使用および取扱い

- a) バッテリーを充電する場合は、必ずメーカー推奨の充電器を使用してください。特定タイプのバッテリー専用の充電器を他のバッテリーに使用すると、火災の恐れがあります。
- b) 指定されたバッテリーのみを電動工具に使用してください。指定以外のバッテリーを使用すると、負傷や火災の恐れがあります。
- c) 使用しないバッテリーの近くに、事務用クリップ、硬貨、キー、釘、ネジ、その他の小さな金属片を置かないでください。電気接点の短絡が起こることがあります。バッテリーの電気接点間が短絡すると、火傷や火災が発生する危険があります。
- ja d) バッテリーが正常でない、液漏れが発生することがあります。その場合、漏れた液には触れないでください。もしも触れてしまった場合は、水で洗い流してください。液体が眼に入った場合は、水で洗い流してから医師の診察を受けてください。流出したバッテリー液により、皮膚が刺激を受けたり火傷を負う恐れがあります。

5.1.6 サービス

- a) 電動工具の修理は必ず認定サービスセンターにお申し付けください。また、必ず純正部品を使用してください。これにより電動工具の安全性が確実に維持されます。

5.2 穿孔機に関する安全上の注意

- a) 打撃 + 回転の際は耳栓を着用してください。騒音により、聴覚に悪影響が出る恐れがあります。
- b) 本体には一緒に納品された補助ハンドルを使用してください。これ以外のハンドルを使用すると、コントロールを失ってけがをする恐れがあります。

- c) 作業の実施に伴い先端工具が隠れている電線に接触する可能性がある場合は、本体を絶縁されたグリップ面で保持するようにしてください。通電しているケーブルと接触すると、本体の金属部分にも電圧がかかり、感電の危険があります。

5.3 その他の安全上の注意

5.3.1 作業者に関する安全

- a) 作業の実施に伴いネジが隠れている電線に接触する可能性がある場合は、本体を絶縁されたグリップ面で保持するようにしてください。ネジが通電しているケーブルと接触すると、本体の金属部分にも電圧がかかり、感電の危険があります。
- b) 本体を支えるときは、必ず両手でグリップを持ってください。グリップは乾いた清潔な状態に保ち、オイルやグリスを付着しないでください。
- c) 休憩を取って緊張をほぐし、指を動かして血の巡りを良くするように心がけてください。
- d) 回転部分には手を触れないでください。本体の電源は必ず作業場に入れてください。回転部分、特に回転している先端工具は負傷の原因となります。
- e) 本体を保管および搬送する際は、スイッチオンロックを作動させてください（正逆回転スイッチを中立の位置にします）。
- f) 本体は、子供や体の弱い人が指示を受けず使用するには向いていません。
- g) 本体で遊んではいけないことを子供に伝えてください。
- h) 含鉛塗料、特定の種類の木材、鉱物、金属などの母材から生じた粉じんは、健康を害する恐れがあります。作業者や近くにいる人々が粉じんに触れたり吸い込んだりすると、アレルギー反応や呼吸器疾患を起こす可能性があります。カシヤブナ材などの特定の粉じんは、特に木材処理用の添加剤（クロム塩酸、木材保護剤）が使用されている場合、発ガン性があるとされています。アスベストが含まれる母材は、必ず専門家が処理を行うようにしてください。できるだけ集じん装置を使用してください。集じん効果を高めるには、当電動工具に適したヒルティ推奨の木材/鉱物粉じん用移動式集じん機を使用してください。作業場の換気に十分配慮してください。フィルタークラス P2 の防じんマスクの着用をお勧めします。処理する母材について、各国で効力を持つ規定を遵守してください。

ja

5.3.2 電動工具の慎重な取扱いおよび使用

- a) 作業材料を固定します。作業材料を締め付ける時は、クランプあるいは万力を使用してください。この方が手で押さえるよりも確実にあり、本体を両手で自由に操作することができます。
- b) 使用する先端工具がチャック機構に適合し、チャック内にしっかりと固定されていることを確認してください。

- c) 大きな重い先端工具は、必ず 1 速で使用してください。 そうしないと、スイッチオフの際に本体を損傷したり、あるいは好ましくない条件においてチャックが緩んでしまう危険があります。

5.3.3 バッテリーの慎重な取扱いおよび使用

- a) バッテリーを装着する前に、本体のスイッチがオフになっていることを確認してください。 スwitchがオンになっている電動工具にバッテリーを装着すると、事故が発生する恐れがあります。
- b) バッテリーパックは高温と火気を避けて保管してください。 爆発の恐れがあります。
- c) バッテリーパックを分解したり、挟んだり、80 °C 以上に加熱したり、燃やしたりしないでください。 これを守らないと、火災、爆発、腐食の危険があります。
- d) 湿気が入らないようにしてください。 水が浸入すると、短絡を引き起こしたり、火傷や火災が発生する可能性があります。
- e) 必ず本体用に許可されたバッテリーパックのみを使用してください。 許可されていないバッテリーパックを使用したり、許可されていない用途にバッテリーパックを使用すると、火災や爆発の危険があります。
- f) Li-Ion バッテリーパックの搬送、保管、作動には特別規定を守ってください。
- g) 本体を保管および搬送するときは、バッテリーパックを取り外してください。
- h) バッテリーパックを短絡させないでください。 バッテリーパックを本体に挿入する前に、バッテリーパックの接点と本体の接点に異物が付いていないか確認してください。 バッテリーパックの接点が短絡すると、火災、爆発、腐食が発生する危険があります。
- i) 損傷したバッテリーパック（例えば亀裂や破損箇所があったり、電気接点が曲がっていたり、押し戻されていたり、引き抜かれているバッテリーパック）の充電や使用はしないでください。
- j) バッテリーパックがつかむことのできないほどに熱くなっている場合は、故障している可能性があります。 本体を監視可能な火気のない場所に可燃性の資材から十分に距離をとって置き、冷ましてください。 バッテリーパックを冷ました後、ヒルティサービスセンターにご連絡ください。

5.3.4 電気に関する安全注意事項



作業を開始する前に、作業場に埋設された電線、ガス管や水道管がないかを金属探知機などで調査してください。例えば、作業中に誤って先端工具が電線に触れると、本体の金属部分とケーブルが通電する可能性があります。この場合、感電による重大な事故が発生する危険があります。

5.3.5 作業場の安全確保

- 作業場の採光に十分配慮してください。
- 作業場の換気に十分配慮してください。作業場の換気が十分でない
と、粉じんによる汚染で健康が害される恐れがあります。

5.3.6 個人保護用具



ja

本体使用中、作業者および現場で直近に居合わせる人々は保護メガネ、保護ヘルメット、耳栓、保護手袋および防じんマスクを着用しなければなりません。

6 ご使用前に



6.1 バッテリーパックの慎重な取扱い

注意事項

低温ではバッテリーパックの力が低下します。フル充電されているバッテリーパックでのみ作業してください。そうすれば、バッテリーパックの容量を最大限利用できます。早めに予備のバッテリーと交換してください。効率が落ちたバッテリーパックは、交換後速やかに充電してください。

バッテリーパックを使用しない場合は、できるだけ涼しくて乾燥した場所に保管してください。バッテリーパックを太陽の直射下、ラジエーターの上、窓際等で保管しないでください。寿命となったバッテリーの廃棄は、リサイクル規制により定められた方法で確実に行ってください。

6.2 バッテリーパックの充電



ja

危険

必ず指定されたヒルティバッテリーパックと、「アクセサリ」の項に記載のヒルティ充電器を使用してください。

6.2.1 バッテリーパックの初充電

はじめてお使いになる前にはバッテリーパックをフル充電してください。

6.2.2 使用したバッテリーパックの充電

バッテリーパックを充電器に装着する前に、バッテリーパックの表面の汚れを落とし、乾かしてください。

充電については、充電器の取扱説明書をご覧ください。

Li-Ion バッテリーパックは、部分的にしか充電されていない状態であっても使用することができます。

6.3 バッテリーパックの装着

注意

バッテリーパックを装着する前に、本体のスイッチがオフになっていてスイッチオンロックが作動していること（正逆回転スイッチを中立の位置にします）を確認してください。必ず本体用に許可されたヒルティバッテリーパックを使用してください。

注意

バッテリーパックを本体に装着する前に、バッテリーパックの電気接点と本体の電気接点に異物が入っていないか確認してください。

1. バッテリーパックを本体の前部にあてがいがながら、カチッと音がするまで挿入します。
2. **注意**バッテリーパックが落下してご自身あるいは他の方が怪我をする恐れがあります。
バッテリーパックが本体にしっかりと固定されていることを確認してください。

6.4 バッテリーパックの取出し 2

1. リリースボタンを押します。
2. バッテリーパックを本体から前方へと引き出します。

6.5 バッテリーパックの搬送および保管

搬送または保管の際にはバッテリーパックを本体から取り外します。バッテリーパックの電気接点がショートしていないことを確認してください。本体ケース、先端工具箱あるいは搬送用ケースからねじ、ネイル、クランプなどの緩んだ金属製部品、緩いビット、針金あるいは金属などを取り除くか、あるいはこれらがバッテリーパックと接触しないようにしてください。バッテリーパックを輸送（トラック、鉄道、船舶あるいは航空機による輸送）する際は、輸送に関する各国および国際的な規定に注意してください。

ja

6.6 ベルトフック 3

注意

作業を開始する前に、ベルトフックが確実に固定されていることを確認してください。

ベルトフックにより、本体を体に接触させてベルトに固定することができます。またベルトフックの位置は、左利きの作業者のために本体の反対側に変更することもできます。

1. バッテリーパックを本体から取り出します。
2. ねじ止めプレートをガイドに差し込みます。
3. ベルトフックを 2 本のねじで固定します。

7 ご使用方法



注意

本体は使用中に高温になることがあります。保護手袋を着用してください。

注意

穿孔作業時およびねじ締めの際は、本体が横にそれることがあります。

注意

先端工具によるけがを防止するため、先端工具の交換の際、保護手袋を着用してください。

7.1 正逆回転の設定 4

注意事項

正回転 / 逆回転切り替えスイッチを使用することにより、先端工具スピンドルの回転方向（正回転、逆回転）を選択することができます。モーター回転中はロック機能により、スイッチの切替ができなくなります。中立の位置では、コントロールスイッチはブロックされます。正回転 / 逆回転切り替えスイッチを（本体の動作方向の）左に押します、これにより正回転が有効になります。正回転 / 逆回転切り替えスイッチを（本体の動作方向の）右に押します、これにより逆回転が有効になります。

ja

7.2 回転数領域を選択する 5

警告事項

大きな重い先端工具は、必ず1速で使用してください。そうしないと、スイッチオフの際に本体を損傷したり、あるいは好ましくない条件においてチャックが緩んでしまう危険があります。

注意事項

速度選択スイッチにより回転数領域を選択できます。バッテリーパックがフル充電された状態での SF 2-A/SFD 2-A の回転数領域：1速：0...400 min-1、2速：0...1500 min-1

注意事項

速度選択スイッチはモーターが停止している場合にのみ操作することができます。

7.3 スイッチのオン / オフ

コントロールスイッチをゆっくり押すことにより、回転数を最大回転数まで無段階で上げていくことができます。

7.4 先端工具の交換

注意

先端工具は使用することで熱くなるので、先端工具の交換時には保護手袋を着用してください。

先端工具のコネクションエンドが汚れていないか点検します。必要であれば、コネクションエンドの汚れを取り除きます。

7.4.1 SF 2-A での先端工具の交換

注意事項

種々の先端工具（ドリルビット、ビット、ビットホルダーなど）を取り付けるために、本体にはクイックリリースチャックがあります。

7.4.1.1 先端工具の装着

1. 正回転 / 逆回転切り替えスイッチを中立位置にするか、またはバッテリーパックを本体から取り外します。
2. クイックリリースチャックを開きます。
3. 先端工具をチャックへ装着し、クイックリリースチャックをしっかりと回します。
4. 先端工具がしっかりと固定されているか確認します。

ja

7.4.1.2 先端工具の取外し

1. 正回転 / 逆回転切り替えスイッチを中立位置にするか、またはバッテリーパックを本体から取り外します。
2. クイックリリースチャックを開きます。
3. 先端工具をチャックから引き抜いてください。

7.4.2 SFD 2-A での先端工具の交換

注意事項

種々の先端工具（ドリルビット、ビット、ビットホルダーなど）を取り付けるために、本体にはロックングスリーブ付きの 1/4" 六角ソケットがあります。

7.4.2.1 先端工具の装着

1. 正回転 / 逆回転切り替えスイッチを中立位置にするか、またはバッテリーパックを本体から取り外します。
2. 六角ソケットのロックングスリーブを前方へ引いて、その位置で保持します。

3. 先端工具を六角ソケットのストップ位置まで差し込み、ロッキングスリーブを放します。
4. 先端工具がしっかりと固定されているか確認します。

7.4.2.2 先端工具の取外し

1. 正回転 / 逆回転切り替えスイッチを中立位置にするか、またはバッテリーパックを本体から取り外します。
2. 六角ソケットのロッキングスリーブを前方へ引いて、その位置で保持します。
3. 先端工具を六角ソケットから引き抜き、ロッキングスリーブを放します。

7.5 穿孔 (回転のみ)

注意

作業材料を締め付ける時は、クランプあるいは万力を使用してください。この方が手で押さえるよりも確実であり、本体を両手で自由に操作することができます。

1. トルクおよび回転設定リングを「回転のみ」の印に合わせます。
2. 正回転 / 逆回転切り替えスイッチを正回転に合わせます。

7.6 ねじ締め

1. トルクおよび回転設定リングで希望のトルクを選択します。
2. 正回転 / 逆回転切り替えスイッチを希望の方向に選択します。

ja

7.7 Li-Ion バッテリーパックの充電状態インジケーター

注意事項

作動中は充電状態の読み取りは行えません。

注意事項

バッテリーパックを本体に装着する際には、充電状態インジケーターのLEDが短時間点灯する場合があります。

Li-Ion バッテリーパックには充電状態インジケーターがあります。本体が非作動の状態ではバッテリーパックのロックボタンを押すと、充電状態が4個のLEDで表示されます。

8 手入れと保守

注意

本体が不意に始動することがないように、清掃作業を始める前にバッテリーパックを取り外してください。

8.1 先端工具の手入れ

先端工具の表面に付着した汚れを取り除きます。時折、油を染みこませた布で表面を磨いて腐食から守ってください。

8.2 本体の手入れ

注意

本体、特にグリップ表面を乾燥させ、清潔に保ち、オイルやグリスが付着していないようにしてください。洗剤、磨き粉等のシリコンを含んだ清掃用具は使用しないでください。

本体の外側ボディは、耐衝撃性プラスチックで作られています。グリップ部分は合成ゴムを使用しています。

通気溝が覆われた状態で本体を使用しないでください。通気溝を乾いたブラシを使用して注意深く掃除してください。本体内部に異物が入らないようにしてください。定期的に、少し湿した布で本体表面を拭いてください。スプレーやスチームあるいは流水などによる清掃は避けてください。電気上の安全面に悪影響が出る可能性があります。

8.3 Li-Ion バッテリーパックの手入れ

湿気が入らないようにしてください。

はじめてお使いになる前にはバッテリーパックをフル充電してください。バッテリーパックを最大寿命で使用できるように、バッテリーのパワーが著しく低下したら直ちに放電を中止してください。

注意事項

作動を続けると、セルの損傷を防ぐために放電が自動的に終了します。

バッテリーパックは Li-Ion バッテリーパック用に許可されたヒルティ充電器で充電してください。

注意事項

- NiCd または NiMH バッテリーパックのようなバッテリーパックのコンディショニングは必要ありません。
- 充電を中断しても、バッテリーパックの寿命に影響はありません。
- バッテリーの寿命に影響を及ぼすことなく、いつでも充電を開始することができます。NiCd または NiMH バッテリーパックのようなメモリー効果はありません。
- バッテリーパックはフル充電した状態でできるだけ涼しくて乾燥した場所に保管するのが最適です。周囲温度が高い場所（窓際）にバッテリーパックを保管すると、バッテリーパックの寿命に影響が出て、セルの自己放電率が上昇します。
- バッテリーパックが完全に充電できなくなった場合は、劣化や過負荷で容量が低下しています。このようなバッテリーパックを使用して作

業することはできません。しかし、このようなバッテリーパックは近いうちに新しいバッテリーパックに交換する必要があります。

8.4 保守

警告事項

本体の電気系統部分の修理は訓練された修理スペシャリストのみができません。

本体の全ての表面パーツに損傷がないか、また全ての装置が支障なく作動するか確認してください。パーツが損傷していたり、装置が正しく作動しない場合は、本体を使用しないでください。修理が必要な際は、弊社営業担当またはヒルティ代理店・販売店にご連絡ください。

8.5 手入れと保守を行った後の点検

手入れ、保守の作業を済ませた後は、全ての安全機構が装着され、正常に作動していることを確認しなければなりません。

9 故障かな？ と思った時

症状	考えられる原因	処置
本体が始動しない。	バッテリーパックが正しくロックされていないか、あるいはバッテリーパックの放電。	バッテリーパックをカチッとロック音がするまで挿入するか、あるいはバッテリーパックを充電する。
	電氣的故障。	本体からバッテリーパックを取り外し、ヒルティサービスセンターに連絡する。
オン / オフスイッチが押せない、あるいは動かない。	正回転 / 逆回転切り替えスイッチが中立位置（トランスポートロック位置）。	正回転 / 逆回転切り替えスイッチを左または右へ押す。
バッテリーパックの消耗が通常よりも早い。	バッテリーパックの状態が好ましくない。	ヒルティサービスセンターで診断するか、またはバッテリーパックを交換する。

ja

症状	考えられる原因	処置
バッテリーパックが「カチッ」と音がするまでロックされない。	バッテリーパックのロックノッチが汚れている。	ロックノッチを清掃して、バッテリーパックをロックする。問題が再発する場合は、弊社営業担当またはヒルティ代理店・販売店にご連絡ください。
本体あるいはバッテリーパックが熱くなる。	電氣的故障。 本体に負荷がかかり過ぎている（適用基準を超えている）。	本体の電源を直ぐに切ってバッテリーパックを取り外し、ヒルティサービスセンターに連絡する。 用途に合った工具を選択する。

10 廃棄

注意

装備を誤った方法で廃棄すると、次のような危険があります：プラスチック部分の燃焼時には人体に有害な有毒ガスが発生します。電池は損傷したりあるいは激しく加熱されると爆発し、毒害、火傷、腐食または環境汚染の危険があります。廃棄について十分な注意を払わないと、権限のない者が装備を誤った方法で使用する可能性があります。このような場合、ご自身または第三者が重傷を負ったり環境を汚染する危険があります。

注意

故障したバッテリーパックはただちに廃棄してください。バッテリーパックは子供の手の届かない所に置いてください。バッテリーパックを分解したり、燃やしたりしないでください。

注意

バッテリーは、各国の規制に従って廃棄してください。



本体の大部分の部品はリサイクル可能です。リサイクル前にそれぞれの部品は分別して回収されなければなりません。多くの国でヒルティは、古い電動工具をリサイクルのために回収しています。詳細については弊社営業担当またはヒルティ代理店・販売店にお尋ねください。

ja



EU 諸国のみ

本体を一般ゴミとして廃棄してはなりません。

古い電気および電子工具の廃棄に関するヨーロッパ基準と各国の法律に基づき、使用済みの電気工具は一般ゴミとは別にして、環境保護のためリサイクル規制部品として廃棄してください。

11 本体に関するメーカー保証

保証条件に関するご質問は、最寄りのヒルティ代理店・販売店までお問い合わせください。

12 EU 規格の準拠証明 (原本)

名称：	充電式ドリル / ドライバー
機種名：	SF 2-A/SFD 2-A
製品世代：	01
設計年：	2013

この製品は以下の基準と標準規格に適合していることを保証します：
2006/42/EG、2004/108/EG、2006/66/EG、2011/65/EU、EN 60745-1、
EN 60745-2-1、EN 60745-2-2、EN ISO 12100。

Hilti Corporation, Feldkircherstrasse 100, FL-9494 Schaan

Paolo Luccini
Head of BA Quality and Process Management
Business Area Electric Tools & Accessories
03/2014

Tassilo Deinzer
Executive Vice President
Business Unit Power Tools & Accessories
03/2014

技術資料：
Hilti Entwicklungsgesellschaft mbH
Zulassung Elektrowerkzeuge
Hiltistrasse 6
86916 Kaufering
Deutschland

SF 2-A/SFD 2-A 배터리 충전식 드릴 드라이버

처음 이 제품을 사용하기 전에 본 사용설명서를 반드시 읽으십시오.

이 사용설명서는 항상 기기와 함께 보관하십시오.

기기를 다른 사람에게 양도할 때는 사용설명서도 반드시 함께 넘겨주십시오.

목차

1	일반 정보	354
2	설명	356
3	공구, 액세서리	357
4	기술자료	358
5	안전상의 주의사항	359
6	사용전 준비사항	365
7	작동법	367
8	관리와 유지보수	369
9	고장진단	371
10	폐기	372
11	기기 제조회사 보증	372
12	EG-동일성 표시(오리지널)	373

ko

I 이러한 숫자들은 사용설명서를 보기 위해 펼치면 겉표지에 있는 숫자들로, 해당되는 그림들을 찾기 위해 참고하십시오. 텍스트에 대한 그림은 펼칠 수 있는 겉표지에서 찾을 수 있습니다. 사용설명서를 읽으실 때는 겉표지를 펼쳐 놓으십시오.

본 사용설명서에서 »기기«는 항상 탈착식 배터리 팩이 장착된 충전식 드릴 드라이버 SF 2-A 또는 SFD 2-A를 지칭합니다.

공구구성부품, 조작요소 및 표시요소 **I**

- ① 키레스 척 (SF 2-A)

- ② 토크 및 드릴링 조정링

- ③ 기어 선택 스위치

- ④ 로킹 슬리브와 육각구멍 (SFD 2-A)

- ⑤ 정회전/역회전 스위치

- ⑥ 손잡이
- ⑦ 램프
- ⑧ 벨트 후크 (선택사양)
- ⑨ 충전상태 디스플레이
- ⑩ 잠금해제 버튼
- ⑪ 컨트롤 스위치 (회전속도 전자 제어기능 포함)

1 일반 정보

1.1 신호단어와 그 의미

위험

이 기호는 직접적인 위험을 표시합니다. 만약 지키지 않으면 심각한 부상을 당하거나 사망으로 이어질 수도 있습니다.

경고

이 기호는 특별히 중요한 안전상의 주의사항을 표시합니다. 만약 지키지 않으면 심각한 부상을 당하거나 사망할 수도 있습니다.

주의

이 기호는 특별히 중요한 안전상의 주의사항을 표시합니다. 만약 지키지 않으면, 심각한 부상 또는 물적 손실을 입을 수 있습니다.

지침

유용한 사용정보 및 적용 지침 참조용

ko

1.2 그림의 설명과 그밖의 지침

경고 표시



일반적인 위험에
대한 경고



위험한 고전압에
대한 경고



부식성 물질에 대한
경고

보호용구 표시



보안경 착용



안전모 착용



귀마개 착용



보호장갑 착용



보호 마스크 착용

기호



사용하기 전에
사용설명서를
읽으십시오



V



직류



무부하 회전속도



분당 회전수



함마링 킷아웃



폐기물을 재활용
하십시오

ko

제품의 일련번호

공구명은 발 아래의 형식 라벨에, 그리고 제품의 일련 번호는 하우징의 측면에 적혀 있습니다. 이 자료를 귀하의 사용설명서에 기록해 놓은 다음, 해당 지사 또는 서비스 부서에 문의할 때, 사용설명서에 표기해 두신 공구명과 일련 번호를 사용해 주십시오.

모델:

세대: 01

일련번호:

2 설명

2.1 규정에 맞게 사용

SF 2-A 및 SFD 2-A는 소형 배터리 구동식 드릴 드라이버로서 나사를 돌려 끼우고 풀기 위해 그리고 강철, 목재 및 플라스틱의 드릴링 작업을 위해 사용됩니다.

건강에 해로운 물질 (예, 석면)에서 작업해서는 안됩니다.

배터리를 명시되지 않은 다른 기기의 에너지 공급원으로서 사용하지 마십시오.

기기를 변조하거나 개조해서는 절대로 안됩니다.

부상의 위험을 방지하기 위해, Hilti 순정품 액세서리와 공구만을 사용하십시오.

사용설명서에 있는 작동, 관리 그리고 수리에 대한 정보에 유의하십시오.

기기는 전문가용으로 규정되어 있으며, 허가받은, 자격이 있는 작업자에 의해서만 조작, 정비 그리고 수리되어야 합니다. 이 기술자는 발생할 수 있는 위험에 대해 특별 교육을 받은 상태여야 합니다. 교육을 받지 않은 사람이 기기를 부적절하게 취급하거나 규정에 맞지 않게 사용할 경우에는, 기기와 그 관련기기에 의해 부상을 당할 위험이 있습니다.

작업장은 공사장, 정비공장, 수리, 개조 그리고 신축현장일 수 있습니다.

2.2 척 아답타

모델 SF 2-A용 키레스 척 및 모델 SFD 2-A용 육각구멍

2.3 스위치

ko 컨트롤 스위치 (회전속도 전자제어기능 포함)

기어 선택 스위치

정회전/역회전 스위치 (스위치ON 로크 포함)

토크 및 드릴링 조정링

2.4 손잡이

진동 감쇠식 손잡이

2.5 공급내역 (공구박스 타입)

1 기기

1 사용설명서

1 Hilti 공구 박스

2.6 공급내역 (골판지 패키징 타입)

- 1 기기
- 1 사용설명서

2.7 기기의 작동을 위해 추가로 필요함

Li-Ion 배터리 팩 B 12/2.6 및 충전기 C4/12-50

2.8 Li-Ion 배터리 충전상태 디스플레이

LED 상시 점등	LED 점멸	충전상태 C
LED 1, 2, 3, 4	-	$C \geq 75 \%$
LED 1, 2, 3	-	$50 \% \leq C < 75 \%$
LED 1, 2	-	$25 \% \leq C < 50 \%$
LED 1	-	$10 \% \leq C < 25 \%$
-	LED 1	$C < 10 \%$

2.9 과부하 및 과열 방지 장치

기기에는 전자식 과부하 방지 기능과 과열방지장치가 갖추어져 있습니다. 과부하 및 과열시 기기가 자동으로 꺼집니다. 컨트롤 스위치에서 손을 떼었다가 다시 누르면, 스위치ON 지연(공구의 냉각 단계) 현상을 야기할 수 있습니다.

지침

과부하 및 과열은 배터리 팩의 LED를 통해 표시되지 않습니다.

ko

3 공구, 액세서리

명칭	표시
Li-Ion 배터리용 충전기	C 4/12-50
배터리 팩	B 12/2.6 Li-Ion
벨트 후크 (선택사양)	

명칭	제품 설명
키레스 척 클램핑 직경범위	$\varnothing 0.8 \dots 10 \text{ mm}$
드릴링 직경범위 (연목에)	$\varnothing 0.8 \dots 14 \text{ mm}$
드릴링 직경범위 (경목에)	$\varnothing 0.8 \dots 10 \text{ mm}$

명칭	제품 설명
드릴링 직경범위 (금속에)	∅ 0.8...6 mm
목재 스크류 (최대 길이 80 mm)	∅ 3...6 mm

4 기술자료

기술적인 사양은 사전 통고없이 변경될 수 있음!

공구	SF 2-A	SFD 2-A
정격 전압 (직류전압)	10.8 V	10.8 V
EPTA-Procedure 01/2003에 따른 무게	1.1 kg	1.0 kg
1단 회전속도 (B 12/2.6 적용)	0...400/min	0...400/min
2단 회전속도 (B 12/2.6 적용)	0...1,500/min	0...1,500/min
토크 (소프트한 재료에 스크류를 고정할 때) 세팅, 드릴링 기호	최대 12 Nm	최대 12 Nm
토크 조정 (15단계)	0.5...3.5 Nm	0.5...3.5 Nm

지침

ko 이 지침에 제시된 진동 수준은 EN 60745에 따른, 표준화된 측정방법을 이용하여 측정한 것이며, 전동공구 상호간의 비교에 사용할 수 있습니다. 진동 수준은 진동 부하의 사전 예측용으로도 유용하게 사용할 수 있도록 설계되어 있습니다. 제시된 진동 수준은 주로 전동공구의 사용 시 진동을 나타냅니다. 하지만 전동공구를 다른 용도로 사용하거나, 다른 공구 비트를 사용하거나 유지보수를 충분히 하지 않은 상태에서는 진동 수준에 편차가 있을 수 있습니다. 이 경우, 전 작업시간에 걸쳐 진동 부하가 현저하게 상승될 수 있습니다. 진동 부하를 정확하게 평가하기 위해서는, 전동공구가 스위치 OFF되어 있거나 또는 작동 중이지만 실제로는 사용하지 않는 시간도 고려해야 합니다. 이는 전체 작업시간에 걸쳐 진동 부하를 현저하게 감소시킬 수 있습니다. 사용자를 보호하기 위해 진동이 작용하기 전에 예를 들면 다음과 같이 추가적인 안전 조치를 취하십시오: 전동공구와 공구 비트의 유지보수, 손을 따뜻하게 유지, 작업순서 정하기 등.

소음과 진동에 대한 정보 (EN 60745에 따라 측정):

SF 2-A/SFD 2-A에 대한 평균 A-가중 소음 수준	75 dB (A)
----------------------------------	-----------

SF 2-A/SFD 2-A에 대한 평균 A-가중 음압 수준	64 dB (A)
----------------------------------	-----------

명시된 소음수준에 대한 허용공차	3 dB (A)
-------------------	----------

3축 진동값 (진동-벡터 합)	EN 60745-2-2에 따른 측정
------------------	---------------------

SF 2-A/SFD 2-A용: 함마링 컷아웃, a_h	0.5 m/s ²
---------------------------------	----------------------

허용공차 (K)	1.5 m/s ²
----------	----------------------

3축 진동값 (진동-벡터 합)	EN 60745-2-1에 따른 측정
------------------	---------------------

SF 2-A/SFD 2-A용: 금속에 드릴링, $a_{h,D}$	1.9 m/s ²
-------------------------------------	----------------------

3축 진동측정에 대한 허용공차 (K)	1.5 m/s ²
----------------------	----------------------

배터리	B 12/2.6 Li-Ion
정격 전압	10.8 V
용량	2.6 Ah
에너지량	28.08 Wh
무게	0.24 kg
온도 감지기	있음
셀 형식	Li-Ion
셀 개수	3 개

ko

5 안전상의 주의사항**지침**

5.1장의 안전상의 주의사항에는 사용설명서에 나와 있는 사용가능기준에 따라 작동시켜야 하는 전동공구에 대한 일반적인 안전지침이 포함되어 있습니다. 주의사항에는 이 기기와 관련이 없는 내용이 포함되어 있을 수 있습니다.

5.1 전동공구에 대한 일반적인 안전상의 주의사항

a) 경고

모든 안전상의 주의사항과 지침을 읽으십시오. 안전상의 주의사항과 지침을 준수하지 않을 경우, 화재 위험이 있으며 감전 그리고/ 또는 중상을 입을 수 있습니다. 앞으로 모든 안전상 주의사항과 지침을 보관하십시오. 안전상 주의사항에서 사용되는 "전동 공구"라는 개념은 전원에 연결하여 사용하는 전동 공구(전원 케이블 있음)와 배터리를 사용하는 전동 공구(전원 케이블 없음)를 의미합니다.

5.1.1 작업장 안전수칙

- a) 작업장을 항상 깨끗이 하고 조명이 잘 들도록 하십시오. 어수선한 작업환경 또는 어두운 작업장은 사고를 초래할 수 있습니다.
- b) 인화성 액체, 가스 또는 먼지가 있어 폭발 위험이 있는 환경에서는 전동공구를 사용하지 마십시오. 전동공구는 먼지나 증기를 점화시킬 수 있는 스파크를 일으킵니다.
- c) 전동공구를 사용할 때, 어린이들이나 다른 사람들이 작업장에 접근하지 못하도록 하십시오. 다른 사람들이 방해하면 기기에 대한 통제를 하기 어렵습니다.

5.1.2 전기에 관한 안전수칙

- a) 전동공구의 플러그가 소켓에 잘 맞아야 합니다. 플러그를 절대 변형시켜서는 안됩니다. 접지된 전동공구와 함께 아답타 플러그를 사용하지 마십시오. 변형되지 않은 플러그와 적합한 소켓을 사용하면 감전의 위험을 줄일 수 있습니다.
- b) 파이프, 히터, 전기레인지, 냉장고와 같은 접지 표면에 신체 접촉을 피하십시오. 신체에 닿을 경우 감전될 위험이 높습니다.
- c) 전동공구가 비에 맞지 않도록 하고 습한 장소에 두지 마십시오. 전동공구에 물이 들어가면 감전될 위험이 높습니다.
- d) 케이블만을 잡고 전동공구를 운반하거나 걸어 놓아서는 안되며, 소켓에서 전원 플러그를 빼낼 때 케이블만을 잡은 채로 빼내지 마십시오. 전원 케이블이 열, 오일, 날카로운 모서리 또는 기기의 가동부위에 접촉하지 않도록 주의하십시오. 손상되거나 영킨 전원 케이블은 감전 위험을 높입니다.
- e) 실외에서 전동공구를 이용하여 작업할 때, 실외용으로 승인된 연장 케이블만을 사용하십시오. 실외용 연장 케이블을 사용하면 감전의 위험을 줄여줍니다.
- f) 전동공구를 습한 환경에서 부득이하게 사용해야 할 경우, 누전 차단기를 사용하십시오. 누전 차단기를 사용하면 감전 위험을 줄일 수 있습니다.

5.1.3 사용자 안전수칙

- a) 신중하게 작업하십시오. 작업에 정신을 집중하고 전동공구를 사용할 때 경솔하게 행동하지 마십시오. 피로한 상태 또는 약물 복용 및 음주 후에는 전동공구를 사용하지 마십시오. 전동공구 사용 시 잠시라도 주의를 소홀히 할 경우 중상을 입을 수 있습니다.
- b) 안전 장비를 갖추고 보안경을 착용하십시오. 전동공구의 종류와 사용에 따라, 먼지 보호 마스크, 미끄럼 방지용 안전 신발, 안전모 또는 귀마개 등과 같은 안전한 보호장비를 착용하면 부상의 위험을 줄일 수 있습니다.
- c) 실수로 기기가 작동하지 않도록 주의하십시오. 전동공구를 전원 그리고/또는 배터리에 연결하기 전, 보관 또는 운반 전에 전동공구가 스위치 OFF 상태인지 확인하십시오. 전동공구 운반 시 스위치에 손가락을 대거나 스위치가 켜진 상태에서 전원을 연결하면 사고를 유발할 수 있습니다.
- d) 전동공구의 스위치를 켜기 전, 조정공구 또는 렌치를 제거하십시오. 기기 회전부에 남아있는 공구나 렌치로 인해 부상을 입을 수 있습니다.
- e) 작업시 비정상적인 자세는 피하십시오. 안전한 작업자세가 되도록 하고, 항상 균형을 유지하십시오. 이렇게 하여 예기치 않은 상황에서도 전동공구를 잘 제어할 수 있습니다.
- f) 적합한 작업복을 착용하십시오. 헐렁한 복장이나 장식품을 착용하지 마십시오. 작동하는 기기 가동 부위에 머리, 옷 그리고 장갑이 가까이 닿지 않도록 주의하십시오. 헐렁한 복장, 장식품 혹은 긴 머리가 가동부위에 말려 들어갈 수 있습니다.
- g) 먼지 제거장치나 수거장치를 설치할 수 있는 기기의 경우, 이 장치들이 연결되어 있는지 그리고 제대로 작동되는지를 확인하십시오. 먼지 포집장치 사용은 먼지로 인한 위험을 줄여줄 수 있습니다.

5.1.4 전동공구의 취급과 사용

- a) 기기에 과부하가 걸리지 않도록 하십시오. 귀하의 작업에 적합한 전동공구를 사용하십시오. 적합한 전동공구를 사용하면, 지정된 성능 한도 내에서 더 효율적으로 안전하게 작업할 수 있습니다.
- b) 스위치가 고장난 전동공구는 사용하지 마십시오. 스위치가 작동되지 않는 전동공구는 위험하므로, 반드시 수리를 해야 합니다.
- c) 기기 세팅을 실행, 액세서리를 교환 또는 기기를 보관하기 전에, 콘넥터를 전원소켓에서 그리고/또는 배터리를 기기에서 빼놓으십시오. 이러한 조치는 실수로 전동공구가 작동하지 않도록 방지합니다.
- d) 사용하지 않는 전동공구는 어린이들의 손이 닿지 않는 곳에 보관하십시오. 기기 사용에 익숙치 않거나 또는 이 안전수칙을 읽지 않은 사람은 기기를 사용해서는 안됩니다. 비숙련자가 전동공구를 사용하면 위험합니다.
- e) 전동공구를 유의해서 관리하십시오. 기기의 가동 부위가 완벽하게 작동하는지, 기어 있지 않은지, 혹은 부품이 손상되거나 파손되어 있어 전동공구의 기능을 저하시키지 않는지 점검하십시오. 기기 사용 전 손상된 부품을 수리하도록 하십시오. 제대로 관리되지 않은 전동공구는 많은 사고를 유발합니다.

- f) 절단기기는 날카롭고 깨끗하게 관리하십시오. 날카로운 절단면이 있고 잘 관리된 절단기기는 끼이는 경우가 드물고 조절하기도 쉽습니다.
- g) 본 지침에 따라 전동공구, 액세서리, 공구비트 등을 사용하십시오. 이 때 작업 조건과 실시하려는 작업 내용을 고려하십시오. 원래 사용 분야가 아닌 다른 작업에 전동공구를 사용할 경우, 위험한 상황을 초래할 수 있습니다.

5.1.5 배터리 공구의 취급과 사용

- a) 제조회사가 권장한 충전기에만 배터리를 충전시키십시오. 특정한 형식의 배터리를 사용하도록 규정되어 있는 충전기에 다른 배터리를 사용할 경우 화재 발생의 위험이 있습니다.
- b) 전동공구에 적합하게 규정된 배터리만 사용하십시오. 다른 배터리를 사용하면 부상을 입을 수 있고, 화재가 발생할 수 있습니다.
- c) 배터리를 사용하지 않을 경우 클립, 동전, 키, 못, 나사 또는 다른 소형 금속 물질로부터 사용하지 않는 배터리를 멀리 떨어뜨려 놓아주십시오. 배터리 간 단락으로 인한 연소 또는 화재를 초래할 수 있습니다.
- d) 잘못 사용할 경우, 배터리로부터 전해액이 흘러나올 수 있습니다. 전해액을 직접 만지지 마십시오. 실수로 만졌을 경우, 물로 씻으십시오. 전해액이 눈에 들어갔으면, 의사와 상담하십시오. 배터리로부터 흘러나온 전해액은 피부를 손상시킬 수 있으며, 화재를 발생시킬 수 있습니다.

5.1.6 서비스

- a) 전동공구는 반드시 자격을 갖춘 전문 기술자에 의해 그리고 순정 대체부품만을 이용하여 수리해야 합니다. 이렇게 하여 전동공구의 안전성을 계속해서 유지할 수 있습니다.

ko

5.2 드릴링 머신에 대한 안전상의 주의사항

- a) 함마드릴링 작업시 구미개를 착용하십시오. 극심한 소음은 청각 상실을 유발할 수 있습니다.
- b) 기기와 함께 공급된 보조 손잡이를 사용하십시오. 기기를 제어하지 못하면 부상을 입을 수 있습니다.
- c) 숨겨진 전선에 공구 비트가 접촉할 수 있는 작업을 실행할 경우, 항상 기기의 절연된 손잡이 부분을 잡으십시오. 전류가 흐르는 전선에 접촉하면 전동공구의 금속 부위를 통해 감전이 될 수도 있습니다.

5.3 추가적인 안전상의 주의사항

5.3.1 사용자에 대한 안전수칙

- a) 숨겨진 전선에 기기가 접촉할 수 있는 작업을 실행할 경우, 항상 기기의 절연된 손잡이 부분을 잡으십시오. 전류가 흐르는 전선과 볼트가 접촉하면 전동공구의 금속 부위를 통해 또한 감전이 될 수 있습니다.

- b) 항상 양손으로 기기의 손잡이를 잡고 기기를 고정시키십시오. 손잡이는 건조하고 깨끗하게, 그리고 오일과 그리스가 묻어있지 않도록 해야 합니다.
- c) 손가락의 혈액순환이 잘 되도록 하기 위해, 휴식시간동안 손가락 운동을 하십시오.
- d) 회전하는 부품을 접촉하지 않도록 하십시오. 기기를 작업장으로 가져온 후에 기기의 스위치를 켜십시오. 회전하는 부품들, 특히 회전하는 공구들에 접촉하면 부상을 당할 수 있습니다.
- e) 기기의 수송 또는 보관시에 스위치ON로크를 활성화하십시오 (정회전/역회전 스위치를 중간위치에).
- f) 기기는 어린이나 몸이 약한 사람이 어떠한 지시없이 사용하도록 규정되어 있지 않습니다.
- g) 어린이에게 기기를 가지고 놀아서는 안된다는 것을 반드시 지시해야 합니다.
- h) 낫이 함유된 도료, 일부 목재, 광물질 및 금속과 같은 물질로부터 나오는 먼지는 건강에 해로울 수 있습니다. 먼지를 흡입하거나 만지면 사용자 또는 근처에 있는 사람이 기관지 질병이나 알레르기 반응을 일으킬 수 있습니다. 떡갈나무 먼지 또는 너도밤나무 먼지와 같은 특정 종류의 먼지는, 특히 목재를 처리하기 위해 사용하는 첨가제(크롬산염, 목재 부식 방지제)와 함께 암을 일으킬 수 있습니다. 석면 물질은 전문가들만이 처리해야 합니다. 가능한 한 먼지 포집장치를 사용하십시오. 먼지 흡인율을 극대화 시키기 위해서는, 이 전동공구에 적합하게 설계된, 목재 그리고/또는 광물질 먼지를 흡인하는, Hilti가 권장하는 오리지날 이동식 먼지흡인기를 사용하십시오. 작업공간을 충분히 환기시키십시오. 필터 등급 P2의 보호 마스크를 착용할 것을 권장합니다. 가공할 재료에 적용되는, 국가별 규정에 유의하십시오.

ko

5.3.2 전동공구의 올바른 사용방법과 취급방법

- a) 작업중인 물체를 고정시키십시오. 작업중인 재료 (물체)를 움직이지 않게 고정시키기 위해, 클램프 또는 바이스를 사용하십시오. 그렇게 함으로써 손으로 고정하는 것보다 더 안전하게 고정할 수 있을 뿐만 아니라, 양손을 공구 조작에 자유롭게 사용할 수 있습니다.
- b) 드릴 비트가 기기에 적합한 척 시스템을인지 확인한 다음, 척 아답타에 정확하게 고정되도록 확실하게 하십시오.
- c) 무겁고 큰 기기 비트는 1단으로만 작동되어야 합니다. 그렇지 않으면 스위치 OFF 시에 기기가 손상되거나 불리한 조건에서 드릴 척이 풀릴 수 있습니다.

5.3.3 배터리식 기기의 올바른 사용방법과 취급방법

- a) 배터리를 끼우기 전에 기기의 스위치가 꺼져 있는지 확인하십시오. 스위치 켜져 있는 상태에서 전동공구에 배터리를 끼우면 사고가 발생할 수 있습니다.

- b) 배터리를 고열 및 화염 근처에 두지 마십시오. 폭발위험이 있습니다.
- c) 배터리 팩을 분해 또는 강한 압력이나 80°C 이상의 열을 가하거나 연소해서는 안됩니다. 그렇지 않을 경우 화재 및 폭발, 부식의 위험이 있습니다.
- d) 수분이 들어가지 않도록 하십시오. 수분으로 인해 단락이 발생하여, 불꽃 또는 화재가 발생할 수 있습니다.
- e) 해당 기기에만 허용된 배터리 팩을 사용하십시오. 허용되지 않은 배터리 팩의 사용 또는 배터리 팩을 허용되지 않은 용도로 사용 시 화재와 폭발의 위험이 있습니다.
- f) **Li-Ion** 배터리의 사용, 보관, 이송에 대한 특수 지침에 유의하십시오.
- g) 기기의 보관 및 운반시 배터리를 제거하십시오.
- h) 배터리가 단락되지 않도록 하십시오. 배터리를 공구에 끼우기 전에, 배터리의 접점과 공구의 접점에 이물질이 없는지 점검하십시오. 배터리의 접점이 단락되면, 화재위험, 폭발위험 및 부식위험이 있습니다.
- i) 손상된 배터리 (예를 들면 배터리에 균열, 부러진 부분이 있거나, 접점이 휘었거나 뒤로 밀렸거나 그리고/ 또는 당겨짐)는 충전해서도 안되고 계속해서 사용해서도 안됩니다.
- j) 배터리 팩이 다루기에 너무 뜨거운 경우, 고장일 수 있습니다. 기기를 가연성 소재와 충분한 간격을 유지하면서, 관찰이 가능한, 비연소 장소에 설치하고 기기를 냉각시키십시오. 배터리 팩 냉각 후 **Hilti** 서비스센터에 문의하십시오.

5.3.4 전기에 관한 안전수칙

ko



작업을 시작하기 전에, 예를 들면 금속 탐지기를 이용하여 작업장에서 가려져 있거나 덮혀 있는 전기 배선, 가스 파이프 그리고 하수도관이 있는지를 점검하십시오. 예를 들면 실수로 전기 배선을 손상시켰을 때, 공구 외부의 금속부분에 전기가 흐를 수 있습니다. 이는 전기 쇼크로 인한 심각한 위험이 발생할 수 있음을 의미합니다.

5.3.5 작업장

- a) 작업장의 조명을 충분히 밝게 하십시오.
- b) 작업장을 충분히 환기시키십시오. 환기가 잘 되지 않는 작업장에서는 먼지때문에 건강에 해를 입을 수 있습니다.

5.3.6 개인 보호장비



사용자와 그 주변에 있는 사람들은 기기를 사용하는 동안, 반드시 적합한 보안경, 안전모, 귀마개, 보호장갑 그리고 보호 마스크를 착용해야 합니다.

6 사용전 준비사항



6.1 배터리를 조심스럽게 취급

지침

온도가 낮을 때에는 배터리의 성능이 떨어집니다. 배터리가 완전히 충전된 상태에서만 작업하십시오. 이는 배터리 효율을 극대화 시킵니다. 적시에 제2의 배터리로 교환하십시오. 다음 교환을 위해 배터리를 즉시 다시 충전하십시오.

배터리 팩을 되도록 서늘하고 건조한 곳에 보관하십시오. 배터리를 직사광선에 노출된 곳이나 난방기구 근처 또는 유리 뒤에 놓지 마십시오. 수명이 끝난 배터리는 환경보호대책에 따라 안전하게 폐기처리해야 합니다.

ko

6.2 배터리 충전



위험

"액세서리"에 제시되어 있는 규정된 Hilti 배터리와 Hilti 충전기만을 사용하십시오.

6.2.1 새 배터리 최초 충전

최초로 사용하기전에 배터리를 완전히 충전하십시오.

6.2.2 사용한 배터리 팩 충전

배터리를 해당 충전기에 삽입하기 전에 배터리의 외부를 깨끗하고 건조하게 하십시오.

충전 과정에 관한 정보는 충전기의 사용설명서에 나와 있습니다.

Li-Ion 배터리 팩은 부분 충전된 상태에서도 사용 가능합니다.

6.3 배터리 삽입

주의

배터리를 끼우기 전에 공구의 스위치가 꺼져 있는지와 스위치**ON**로크가 활성화되어 있는지를 확인하십시오 (정회전/역회전 스위치를 중간위치에). 귀하의 공구에는 허용된 **Hilti** 배터리만을 사용하십시오.

주의

배터리를 기기 안에 삽입하기 전에 배터리-접점과 기기 내의 접점에 이물질이 없는지 확인하십시오.

1. 앞쪽에서부터 스톱위치에서 "클릭" 소리가 들릴 때까지 배터리를 공구에 밀어 넣으십시오.
2. 주의 배터리가 빠질 경우 본인과 다른 사람이 다칠 수 있습니다. 배터리가 공구에 정확하게 설치되어 있는지 점검하십시오.

6.4 배터리 팩 제거 2

ko

1. 로크 버튼을 누르십시오.
2. 배터리를 기기로부터 앞쪽으로 빼내십시오.

6.5 배터리의 운반 및 보관

운반 및 보관을 위해 배터리 팩을 기기에서 제거하십시오. 배터리 팩의 접점이 단락되었는지 확인하십시오. 느슨한 금속부품(예: 공구박스 또는 운반용 케이스에 있는 볼트, 못, 클립, 느슨한 나사, 철사 또는 금속 칩)을 제거하거나 배터리와 접촉하지 않도록 하십시오.

배터리 운송시(육로수송, 철도수송, 해상수송 또는 항공수송) 국내 및 해외 운송규정에 유의하십시오.

6.6 벨트후크 3

주의

작업 시작 전 벨트 후크가 확실하게 고정되었는지 점검하십시오.

벨트 후크로 기기를 신체에 밀착시켜 벨트에 고정시킬 수 있습니다. 그 외에도 벨트 후크는 왼손잡이 사용자를 위해 기기의 다른 쪽으로 변경이 가능합니다.

1. 배터리를 기기에서 빼내십시오.
2. 볼트 체결판을 위에서 지시한 대로 끼웁니다.
3. 벨트 후크를 두 개의 볼트로 고정시킵니다.

7 작동법



주의
사용하는 동안 공구가 뜨거워질 수 있습니다. 보호장갑을 착용하십시오.

주의
드릴링 및 스크류 드라이빙 시 기기를 측면으로 돌릴 수 있습니다.

주의
드릴 비트에 의한 부상을 방지하기 위해, 비트 교환시에는 보호장갑을 착용하십시오.

7.1 좌, 우회전 방향 설정 4

지침
정회전/역회전 스위치는 회전방향을 선택하는데 사용합니다. 잠금기능은 모터가 작동하는 동안 절환되는 것을 방지합니다. 중간위치에서는 커트를 스위치가 블로킹됩니다. 정회전/역회전 절환스위치를 좌측으로 (기기 작용 방향으로) 누르면 기기가 우회전으로 설정됩니다. 정회전/역회전 절환스위치를 우측으로 (기기 작용 방향으로) 누르면 기기가 좌회전으로 설정됩니다.

ko

7.2 회전속도 범위 선택 5

경고
무겁고 큰 기기 비트는 1단으로만 작동되어야 합니다. 그렇지 않으면 스위치 OFF 시에 기기가 손상되거나 불리한 조건에서 드릴 척이 풀릴 수 있습니다.

지침
기어 선택 스위치를 이용해서 회전속도 범위를 선택할 수 있습니다. 배터리 팩이 완전히 충전되었을 때의 SF 2-A/SFD 2-A 회전속도 범위: 1단: 0-400/min, 2단: 0-1500/min.

지침
엔진이 정지된 상태에서만 기어 선택 스위치를 조작할 수 있습니다.

7.3 스위치 켜고 끄기

컨트롤 스위치를 서서히 눌러 회전속도를 최대 회전속도까지 무단계로 선택할 수 있습니다.

7.4 비트 교환

주의

사용하는 동안 드릴 비트가 뜨거워지므로, 드릴 비트를 교환할 때에는 보호장갑을 착용하십시오.

드릴 비트의 연결 끝이 깨끗한지 점검하십시오. 필요할 경우 연결 끝을 청소하십시오.

7.4.1 SF 2-A의 공구 교체

지침

본 기기에는 다양한 공구의 적용을 위해 키레스 척이 장착되어 있습니다(예: 드릴, 비트 및 비트 홀더).

7.4.1.1 치줄 장착

1. 정회전/역회전 스위치를 중간위치로 절환하거나 또는 배터리를 기기로부터 분리하십시오.
2. 키레스 척을 여십시오.
3. 드릴 비트를 척에 삽입하고 키레스 척을 단단히 조이십시오.
4. 드릴 비트가 완전히 고정되었는지 점검하십시오.

ko 7.4.1.2 치줄 분리

1. 정회전/역회전 스위치를 중간위치로 절환하거나 또는 배터리를 기기로부터 분리하십시오.
2. 키레스 드릴 척을 여십시오.
3. 드릴 비트를 잡아 당겨 척 아답타에서 빼내십시오.

7.4.2 SFD 2-A의 공구 교체 6

지침

기기에는 다양한 공구의 적용을 위해 로킹 슬리브와 1/4"-6각 구멍이 장착되어 있습니다(예: 드릴, 비트 및 비트 홀더).

7.4.2.1 치줄 장착

1. 정회전/역회전 스위치를 중간위치로 절환하거나 또는 배터리를 기기로부터 분리하십시오.
2. 6각 구멍의 로킹 슬리브를 앞쪽으로 밀고 이 위치에서 유지하십시오.
3. 공구를 스톱위치까지 6각 구멍 안에 끼우고 로킹 슬리브를 놓으십시오.

4. 드릴 비트가 완전히 고정되었는지 점검하십시오.

7.4.2.2 치출 분리

1. 정회전/역회전 스위치를 중간위치로 전환하거나 또는 배터리를 기기로부터 분리하십시오.
2. 6각 구멍의 로킹 슬리브를 앞쪽으로 밀고 이 위치에서 유지하십시오.
3. 공구를 6각 구멍에서 빼내고 로킹 슬리브를 놓으십시오.

7.5 드릴링

주의

작업중인 재료 (물체)를 움직이지 않게 고정시키기 위해, 클램프 또는 바이스를 사용하십시오. 그렇게 함으로써 손으로 고정하는 것보다 더 안전하게 고정할 수 있을 뿐만 아니라 양손을 공구 조작에 자유롭게 사용할 수 있습니다.

1. 토크 및 드릴링 모드 조정링을 드릴링 기호로 돌리십시오.
2. 정회전/역회전 스위치를 '정회전' 위치로 전환하십시오.

7.6 스크류 작업

1. 토크 및 드릴링 모드 조정링을 돌려 원하는 토크를 선택하십시오.
2. 정회전/역회전 스위치로 원하는 회전방향을 선택하십시오.

7.7 Li-Ion 배터리 팩에서 충전상태 디스플레이 판독

지침

작동 중에 충전상태를 확인하는 것은 불가능합니다.

지침

배터리 팩을 기기에 끼울 때 충전상태 디스플레이의 LED가 잠깐 동안 점등될 수 있습니다.

Li-Ion 배터리에는 충전상태 디스플레이가 설치되어 있습니다. 비작동상태에서는 배터리의 로크 버튼을 누를 경우 충전상태가 4개의 LED를 통해 표시됩니다.

8 관리와 유지보수

주의

청소작업을 시작하기 전에, 부주의로 인해 기기가 작동하지 않도록 하기 위해, 배터리를 제거하십시오!

8.1 삽입공구의 관리

고착되어 있는 오염물질을 제거하고, 오일을 묻힌 걸레로 그때그때 문질러 공구의 표면이 부식되지 않도록 하십시오.

ko

8.2 기기 관리

주의

기기를, 특히 손잡이 부분이 건조한 상태로 있게 하고, 깨끗하고 오일과 그리스가 묻어있지 않도록 하십시오. 실리콘이 함유된 표면보호제를 사용하지 마십시오.

기기의 바깥쪽 케이스는 내충격성의 플라스틱으로 제작되었습니다. 손잡이 부분은 탄성 재료로 만들어져 있습니다.

환기 슬롯이 막힌 상태에서는 기기를 작동시키지 마십시오! 마른 솔로 환기 슬롯을 조심스럽게 청소하십시오. 이물질이 기기 내부로 들어가지 않도록 하십시오. 약간 물기가 있는 천으로 기기 외부를 정기적으로 청소해 주십시오. 청소할 때 스프레이 기구, 스팀 클리너 또는 흐르는 물을 사용해서는 안됩니다! 이러한 것들을 사용할 경우, 기기의 전기적 안전이 위험에 처할 수 있습니다.

8.3 Li-Ion 배터리 팩 관리

습기가 스며들지 않도록 주의하십시오.

배터리 팩을 최초 사용 전에 완전히 충전시켜 주십시오.

배터리 팩의 수명을 최대화하기 위해 배터리 성능이 현저하게 떨어지게 되면 즉시 방전을 종료하십시오.

지침

계속 사용할 경우, 배터리 셀이 손상될 가능성이 있으면 방전은 자동으로 종료됩니다.

Hilti가 허용하는 리튬 이온 배터리 팩용 충전기기로 배터리 팩을 충전하십시오.

ko 지침

- NiCd 또는 NiMH 배터리 팩과 같은 경우, 배터리 팩 보충이 필요하지 않습니다.
- 충전 과정 중단이 배터리 팩의 수명을 감소시키는 것은 아닙니다.
- 충전 과정은 배터리 수명과 상관없이 언제든지 시작될 수 있습니다. NiCd 또는 NiMH 배터리 팩의 경우와 같은 메모리 효과는 없습니다.
- 배터리 팩은 완전히 충전된 상태에서 가능한 한 서늘하고 건조한 장소에 보관하는 것이 가장 좋습니다. 높은 주변(실내) 온도에서 배터리 팩을 보관하는 것은 적절치 않아서 배터리 팩의 수명을 감소시키고 배터리 셀의 자가 방전율을 높입니다.
- 배터리 팩이 더 이상 완전히 충전되지 않을 경우, 배터리의 노화 또는 과부하로 인해 용량이 감소된 것입니다. 이 배터리 팩은 더 이상 사용이 불가능합니다. 곧 배터리 팩을 새 것으로 교체해야 합니다.

8.4 수리

경고

전기 부품은 반드시 전기 기술자가 수리하도록 해야 합니다.

기기의 모든 외부 부품에 손상이 있는지 그리고 모든 조작용소들이 완벽하게 작동하는지를 정기적으로 점검하십시오. 부품이 손상되었거나 조작용소들이 완벽하게 작동하지 않을 경우에는 기기를 작동시키지 마십시오. Hilti 서비스 센터에 수리를 의뢰하십시오.

8.5 관리/수리작업 후, 점검

관리/수리작업 후에는, 모든 보호기구가 설치되어 있으며 고장없이 작동하는지의 여부를 점검해야 합니다.

9 고장진단

고장	예상되는 원인	대책
공구가 작동하지 않음.	배터리가 완전히 끼워져 있지 않거나 또는 배터리가 방전됨.	배터리를 밀어 넣을 때 "찰칵하는"소리가 나야 합니다 또는 배터리를 충전해야 합니다.
	전기적 고장.	배터리를 기기에서 제거하고 Hilti 서비스에 문의하십시오.
ON/OFF 스위치를 누를 수가 없음 또는 블로킹됨.	정회전/역회전 스위치가 중간위치에 있음 (이동위치)	정회전/역회전 스위치를 좌측 또는 우측으로 밀습니다.
배터리가 여느 때보다 빨리 방전됨.	배터리 상태가 최적이 아님.	Hilti 서비스센터에 진단 문의 또는 배터리 팩 교체.
배터리를 밀어 넣을 때 찰칵하는 소리가 들리지 않음.	배터리의 고정 러그가 오염됨.	고정 러그를 깨끗이 하고 배터리를 밀어넣으십시오. 문제가 지속될 경우 Hilti 서비스에 연락하십시오.
기기 또는 배터리에 과도한 열 발생.	전기적 결함.	기기를 즉시 끄고, 배터리를 기기에서 제거한 다음, Hilti 서비스에 문의하십시오.
	기기가 과부하됨 (사용 한계 초과).	용도에 맞는 기기 선택.

ko

10 폐기

주의

기기를 부적절하게 폐기처리할 경우, 다음과 같은 결과가 발생할 수 있습니다: 플라스틱 부품을 소각할 때, 인체에 유해한 유독가스가 발생하게 됩니다. 배터리가 손상되거나 또는 과도하게 가열되면 폭발할 수 있고, 이 때 오염, 화상, 산화 또는 환경오염의 원인이 될 수 있습니다. 정확하게 폐기처리하지 않았을 경우 권한이 없는 사람이 기기를 부적절하게 사용할 수 있습니다. 이때 사용자는 자신과 제3자에게 중상을 입힐 수 있고 환경을 오염시킬 수 있습니다.

주의

고장난 배터리는 즉시 폐기하십시오. 이를 어린이들의 손이 닿지 않는 곳에 보관하십시오. 배터리를 분해하거나 소각하지 마십시오.

주의

배터리를 국가별 규정에 따라 폐기처리하거나 또는 폐기된 배터리를 Hilti사로 보내주십시오.



Hilti 기기는 대부분이 재사용 가능한 재료로 제작되었습니다. 또한 재활용을 위해서는 먼저 개별 부품을 분리하십시오. Hilti사는 이미 여러 나라에서 귀하의 오래된 기기를 회수, 재활용이 가능하도록 하였습니다. Hilti의 고객 서비스부나 귀하의 판매회사에 문의하십시오.

ko



EU 국가 용으로만

전동공구를 일반 가정의 쓰레기처럼 폐기해서는 안됩니다! 수명이 다 된 기기는 전기/전자-노후기계에 대한 EU 규정에 따라 그리고 각 국가의 법규에 명시된 방식에 따라 반드시 별도로 수거하여 친환경적으로 재활용되도록 하여야 합니다.

11 기기 제조회사 보증

보증 조건에 관한 질문사항은 힐티 파트너 지사에 문의하십시오.

12 EG-동일성 표시(오리지널)

명칭:	배터리 충전식 드릴 드라이버
모델명:	SF 2-A/SFD 2-A
세대:	01
제작년도:	2013

폐사는 전적으로 책임을 지고 이 제품이 다음과 같은 기준과 규격에 일치함을 공표합니다: 2006/42/EG, 2004/108/EG, 2006/66/EG, 2011/65/EU, EN 60745-1, EN 60745-2-1, EN 60745-2-2, EN ISO 12100.

Hilti Corporation, Feldkircherstrasse 100, FL-9494 Schaan



Paolo Luccini
Head of BA Quality and Process Management
Business Area Electric Tools & Accessories
03/2014



Tassilo Deinzer
Executive Vice President
Business Unit Power Tools & Accessories
03/2014

기술 문서 작성자:
Hilti Entwicklungsgesellschaft mbH
Zulassung Elektrowerkzeuge
Hiltistrasse 6
86916 Kaufering
Deutschland

ko

原始操作說明

SF 2-A/SFD 2-A 充電式電鑽 / 起子

第一次使用機具前，先務必閱讀操作說明。

務必將操作說明和機具放在一起。

將機具交給其他人時，應將操作說明一併轉交。

內容

1	一般使用說明	375
2	產品說明	376
3	彈圈夾具、配件	378
4	技術資料	378
5	安全說明	380
6	使用前注意事項	384
7	操作	386
8	維護和保養	388
9	故障排除	389
10	廢棄機具處置	390
11	製造商保固 - 機具	391
12	EC歐規符合聲明 (原版)	391

zh 1 號碼會相對於各個圖案，圖案說明可以在封面的內摺頁中找到。詳讀操作手冊時，請將此頁打開。

本操作說明中所稱「機具」，係指含電池之SF 2-A或SFD 2-A充電式電鑽 / 起子。

零件、操作控制與指示燈 1

- ① 自動鑽夾頭 (SF 2-A)
- ② 扭力與鑽孔模式設定環
- ③ 檔位選擇開關
- ④ 六角套筒 (附鎖定套筒) (SFD 2-A)
- ⑤ 正轉 / 逆轉開關
- ⑥ 握把
- ⑦ 燈具
- ⑧ 皮帶掛鉤 (選配)

- ⑨ 充電狀態指示燈
- ⑩ 拆卸鈕
- ⑪ 控制開關（具有電子轉速控制功能）

1 一般使用說明

1.1 安全須知及其意義

危險

用於告知可能會發生對人體造成嚴重傷害甚至死亡的立即性危險情況。

警告

用於告知可能會發生造成人員受傷或死亡之重度危險情況。

注意

用於告知可能會發生造成人員受傷，或造成設備及其他財產損壞的輕度危險情況。

附註

注意操作說明或其他有用的資訊內容。

1.2 圖形符號之說明及其他資訊

警告標誌



一般警告



警告：有電



警告：腐蝕性物質

遵守標誌



配戴護目鏡



配戴安全帽



配戴保護耳罩



配戴防護手套



配戴口罩

符號



使用前請閱讀本操作說明



伏特



直流電



無負載下額定轉速



每分鐘轉數



無鎚擊鑽孔



廢棄材料回收

機具上辨識資料的位置

類型名稱可以在該機具底部的型號識別牌上找到，而序號則在機殼側邊。請在操作說明中記下該資料，並在詢問Hilti業務代表或維修部門時參照該資料。

型號：

產品代別：01

序號：

2 產品說明

zh

2.1 按照指示使用產品

SF 2-A及SFD 2-A係手持充電式電鑽 / 起子，用於螺絲之裝卸以及鋼材、木材及塑膠之鑽孔。

不得在會危害人體健康的材料（例如：石棉）上作業。

不得將電池作為其他非指定設備的電源。

不得調整或改裝本機具或其零件。

為避免受傷的危險，僅可使用Hilti原廠配件及彈圈夾具。

請遵守本操作說明書中關於操作、保養及維修資訊。

本機具設計係供專業使用，僅可由受過訓練且經授權的人員操作、修理與維護。必須告知該人員可能遭遇到的任何危險。如果讓未受過訓練的人員以錯誤或違反指示的方式使用機具及其附件，會發生危險。

工作環境可包括：建築工地、工場、翻新、改建或新建。

2.2 夾頭

SF 2-A配備自動鑽夾頭，而SFD 2-A則配備六角套筒起子。

2.3 開關

具電子轉速控制之控制開關
檔位選擇開關
帶有運送鎖的正轉 / 逆轉選擇開關
扭力與鑽孔模式設定環

2.4 握把

減震握把

2.5 供應的項目包含 (工具箱版) :

- 1 電動機具
- 1 操作說明
- 1 Hilti工具箱

2.6 供應的項目包含 (厚紙箱版) :

- 1 電動機具
- 1 操作說明

2.7 其他操作本機具所需項目 :

B 12/2.6 Li-Ion, 搭配C4/12-50充電器。

zh

2.8 鋰電池充電狀態顯示

LED持續亮起	LED閃爍	充電狀態C
LED 1、2、3、4	-	$C \geq 75\%$
LED 1、2、3	-	$50\% \leq C < 75\%$
LED 1、2	-	$25\% \leq C < 50\%$
LED 1	-	$10\% \leq C < 25\%$
-	LED 1	$C < 10\%$

2.9 過載及過熱保護

本機具配有電子式保護系統，可以預防過載和過熱。本機具在過載和過熱的情況之下會自動關閉。鬆開控制開關之後，再次按下本機具開關後，可能不會馬上重新啟動（當本機具正在冷卻時）。

附註

電池上的LED不會顯示過載和過熱的狀況。

3 彈圈夾具、配件

名稱	簡稱
鋰電池專用充電器	C 4/12-50
電池	B 12/2.6 Li-Ion
皮帶掛鉤（選配）	

名稱	產品說明
自動鑽夾頭夾緊範圍	∅ 0.8... 10 mm
鑽孔直徑範圍 - 木材（軟木）	∅ 0.8... 14 mm
鑽孔直徑範圍 - 木材（硬木）	∅ 0.8... 10 mm
鑽孔直徑範圍 - 金屬	∅ 0.8... 6 mm
木螺絲（最長80 mm）	∅ 3... 6 mm

zh 4 技術資料

保留更改技術資料權利。

機具	SF 2-A	SFD 2-A
額定電壓（直流電壓）	10.8 V	10.8 V
重量（符合01/2003 EPTA程序）	1.1 kg	1.0 kg
第一檔速度（裝B 12/2.6時）	0... 400/min	0... 400/min
第二檔速度（裝B 12/2.6時）	0... 1,500/min	0... 1,500/min
機具設定在鑽孔記號處時的扭力（柔軟 / 可彎曲的接合點）	最大 12 Nm	最大 12 Nm

機具	SF 2-A	SFD 2-A
扭力範圍 (15種設定)	0.5...3.5 Nm	0.5...3.5 Nm

附註

本資訊表所提供之震動噪音量已參照EN 60745標準測量，並可用來比較不同機具之噪音。它也可作為噪音量的初步評估。註明之震動噪音量表示機具主要應用時之數值。若機具於不同之用途使用，搭配不同的配件或在保養不良的情況下，其震動噪音有可能有所不同。在作業過程中，這有可能大量提高其噪音量。當機具關閉，或開啟但未進行任何作業時，其震動噪音量也應列入考量。在作業過程中，這有可能大量降低其噪音量。確認其他安全措施，以保護操作員不受震動影響，例如：保養機具與其配件、操作前保持雙手溫暖、作業型式之安排等。

噪音和震動資訊 (量測標準符合EN 60745) :

典型A加權聲功率級數 (SF 2-A/SFD 2-A)	75 dB (A)
典型A加權音壓級數 (SF 2-A/SFD 2-A)	64 dB (A)
無法判定的聲功率級數	3 dB (A)

三軸震動值 (震動向量和)	量測標準依據EN 60745-2-2
SF 2-A/SFD 2-A : 無衝擊動作的螺絲起子作業, a_h	0.5 m/s ²
無法判定 (K)	1.5 m/s ²

三軸震動值 (震動向量和)	量測標準依據EN 60745-2-1
SF 2-A/SFD 2-A : 金屬鑽孔, $a_{h, D}$	1.9 m/s ²
無法判定的 (K) 三軸震動值	1.5 m/s ²

電池	B 12/2.6 Li-Ion
額定電壓	10.8 V
電容	2.6 Ah
能量	28.08 Wh
重量	0.24 kg
溫度監控	有
電池單元類型	鋰電池
電池單元數	3

5 安全說明

附註

5.1 一節中的安全規範，包含依照各種適用標準，必須列示於操作說明上的所有電子機具安全規範。因此，其中可能有些與本機具無關。

5.1 一般電動機具安全警告

a)  警告

請詳閱所有的安全警示及說明。未能遵守以下警示及說明可能會造成電擊事故、火災和 / 或嚴重的傷害。儲存所有警示和說明以供將來參考。注意事項中所稱的「機具」係指使用電源（有線）或電池（無線）的電動機具。

5.1.1 工作區域安全

- 請保持工作區域的整潔與良好照明。凌亂而昏暗的工作區域容易發生意外。
- 勿在容易發生爆炸的環境中使用機具，例如有可燃性液體、瓦斯或粉塵存在的環境。機具產生的火花可能會引燃塵埃或煙霧。
- 操作機具時，請保持與兒童及旁人的距離。注意力不集中容易發生失控的情形。

5.1.2 電力安全

- 機具插頭與插座須能互相搭配。勿以任何方式改裝插頭。勿將任何變壓器插頭和與地面接觸（接地）的電動機具搭配使用。未經改裝的插頭以及能互相搭配的插座可減少發生電擊的危險。
- 避免讓身體碰觸到如散熱器、爐灶與冰箱等與土地或地表接觸之物品。如果您的身體接觸到地表或地面，將增加電擊的危險。
- 勿讓機具暴露在雨中或潮濕的環境。流入機具的水會增加發生電擊事故的危險。
- 勿濫用電纜線。勿以電纜線吊掛、拖拉機具或拔下機具插頭。電纜線應避開熱氣、油、銳利的邊緣或移動性零件。電纜線損壞或纏繞會增加發生電擊事故的危險。
- 於室外操作機具時，須使用適用於戶外的延長線。適用於戶外的延長線可降低電擊的危險。
- 如果無法避免在潮濕的地點操作機具，請使用漏電斷路器（RCD）保護電源供應器。使用漏電斷路器（RCD）可降低電擊的風險。

5.1.3 人員安全

- 操作機具時，請提高警覺，注意進行中的工作並善用常識。感到疲勞或受到藥物、酒精或治療的影響時勿使用機具。操作機具時稍不留神就可能造成嚴重的人員傷亡。

- b) 佩戴個人防護裝備。請隨時配戴眼罩。適當使用防塵面罩、防滑鞋、安全帽及耳罩等安全防護配備可減少人員的傷害。
- c) 避免不經意的啟動。在接上電源或電池組、抬起或攜帶機具之前，務必確認開關處於關閉的位置。攜帶機具時，如果把手指放在開關上，或在開關開啟時，將機具插上插頭容易發生意外。
- d) 啟動機具前，應將所有調整鑰匙或扳手移開。將扳手或鑰匙留在機具的旋轉零件中可能會造成人員傷害。
- e) 勿將手伸出過遠。隨時站穩並維持平衡。這可讓您在意外情況發生時，對機具有較好的控制。
- f) 穿著適當服裝。請勿穿寬鬆的衣服或配戴珠寶。頭髮、衣服與手套應遠離移動性零件。移動性零件可能會夾到寬鬆的衣服、珠寶或長髮。
- g) 如果機具可連接吸塵裝置與集塵設備，請連接並適當使用這些設備。使用集塵裝置可降低與粉塵有關的危險。

5.1.4 機具的使用與保養

- a) 不可強制使用機具。依據用途使用正確的機具。根據設計的速率使用機具可更快速安全地完成工作。
- b) 機具如果無法利用開關將其開啟及關閉時，請勿使用。任何無法以開關控制的機具都很危險且需要修理。
- c) 在進行任何調整、更換配件、或貯放電動機具前，請先將插頭拔離插座，或將電池匣自電動機具卸下。此預防安全措施可降低機具意外啟動的危險。
- d) 將閒置的機具貯放在兒童拿不到的地方，勿讓不熟悉或未詳閱本說明的人員操作本機具。機具在未經訓練的使用者手中是很危險的。
- e) 維護機具。請檢查移動性零件有無偏移或黏合的情形、零件有無破損，以及任何會影響機具運轉的狀況。如果機具受損，請先修理再使用。很多意外便是由維護不當的機具造成的。
- f) 保持切割機具的銳利與清潔。具銳利切割邊緣的切割機具如果得到適當的維護，便較不會發生黏合的現象，且較容易控制。
- g) 遵守本指示說明使用機具、配件和工具組等，並考量工作條件與待進行的工作。將機具用在原目的外之用途可能會造成危險。

5.1.5 電池機具的使用與保養

- a) 請僅使用製造商指定的充電器充電。將適合特定型號電池的充電器使用於其他電池時，會有引發火災的危險。
- b) 請僅使用機具特別指定的電池匣。使用其他電池匣可能會造成人員傷亡與火災。
- c) 電池匣未使用時，請將其遠離如迴紋針、錢幣、鑰匙、針、固定釘或其他會在電池兩極間形成連結的小型金屬物件。在電池兩極間建立短路會造成灼傷或引起火災。

- d) 若使用不當，可能會有液體由電池流出；請避免接觸該液體。若不慎接觸，請以清水沖洗。如果不小心讓液體接觸到眼睛，請立即尋求醫療援助。從電池中滲出的液體，可能會導致過敏或燙傷。

5.1.6 維修

- a) 請將機具交給合格的維修人員進行維修，並使用相同的替代零件。這可確保維護機具安全。

5.2 鑽孔安全性警告

- a) 衝擊鑽孔時請戴上耳罩。暴露於噪音環境下會導致聽力受損。
- b) 請使用機具所提供的輔助把手。（如有隨附）機具失控可能會導致人員受傷。
- c) 當所進行的工作，其切割配件可能會碰觸到隱藏配線，進行操作時請握住機具的絕緣握把。與「導電」電線接觸的切割配件可能會導致機具暴露在外金屬零件「導電」，使得操作人員遭受電擊。

5.3 其他安全說明

5.3.1 人員安全

- a) 當所進行的工作，起子可能會接觸到隱藏配線時，進行操作時請握住機具的絕緣握把。起子若接觸「導電」電線，會導致機具暴露在外金屬零件「導電」，使得操作員遭受電擊。
- b) 隨時以雙手握住握把以保持機具的穩固。保持握把的乾燥、清潔，並避免有油脂及潤滑油出現。
- c) 在工作中的休息時間放鬆雙手並運動手指，以改善手指的血液循環。
- d) 避免接觸旋轉中的零件。將機具移到工件位置後再開啟電源。碰觸旋轉零件，特別是旋轉的彈圈夾具，會導致受傷。
- e) 在貯放或運送機具前，請啟用安全鎖（位於中央位置的正轉 / 逆轉開關）。
- f) 本設備非設計供孩童、疲憊不堪或未受過指示與訓練的人員使用。
- g) 必須禁止孩童玩弄本設備。
- h) 像是含鉛塗料、部份木材、礦物與金屬等基材所產生的粉塵可能對人體有害。操作人員與旁觀者接觸或吸入粉塵可能會引起過敏並 / 或造成呼吸系統疾病。像是橡木與山毛櫸木材的粉塵已列為致癌物質，尤其是當它們使用調濕塗料（鉻酸鹽、木材防腐劑）時。包含石棉之基材務必由專人處理。在能使用吸塵裝置的工作場所中請使用吸塵裝置。若要提高收集粉塵的效率，請使用Hilti所建議之適合木材及 / 或礦物粉塵真空吸塵器。請確保工作場所適當的通風。建議使用等級P2之防護面罩或過濾罩。請依照國家法規處理您作業的基材。

5.3.2 電動機具使用與保養

- a) 固定工件請使用固定夾或架子來固定工件。這會比以手來握住工件更穩固，而且可以讓您空出雙手來操作機具。
- b) 請檢查所使用的彈圈夾具是否與夾頭系統相容，且正確而穩固地放入夾頭中。
- c) 大型彈圈夾具必須以1檔操作。否則在機具關閉時可能會造成損壞，或是在不當使用的情況下，夾頭可能從機具上脫落。

5.3.3 充電式機具使用與保養

- a) 安裝電池前，請確定開關處於關閉位置。在開關處於開啟位置時安裝電池容易引發意外。
- b) 請勿讓電池暴露在高溫或接觸火焰。如此可預防爆炸的危險。
- c) 請勿拆解、擠壓或焚燒電池，且不可將電池置放在溫度超過80°C的環境中。與腐蝕性物質接觸會有發生火災、爆炸或受傷的風險。
- d) 防止濕氣滲入。濕氣可能會造成短路，引起燙傷或火災。
- e) 僅可使用專供本機具或設備使用，並經認可的電池。使用未經認可的電池，或將電池用在未經認可之外的用途時，可能有發生火災與爆炸的風險。
- f) 遵守適用於鋰電池之運送、貯放與使用的特別指示。
- g) 貯放或搬運機具之前請先將電池移除。
- h) 避免產生電池短路。將電池置入電動機具前，請檢查電池正負極與電動機具內有無其他外物。電池正負極短路會發生火災、爆炸與化學灼傷。
- i) 請勿充電或繼續使用受損電池（意即有龜裂、破損、彎曲或接觸點凹陷及/或突起）。
- j) 若電池溫度過高、燙手，可能表示電池已有毀損。將機具置於可隨時觀察的適當地點，遠離易燃物質並讓機具靜置冷卻。待電池靜置冷卻後，請聯絡Hilti維修中心。

zh

5.3.4 電力安全



開始工作前，請先檢查工作區域（例如使用金屬探測器）以確保隱藏的電纜線、瓦斯管或水管無外露。例如，當不小心鑽到電纜線時，電動機具外部的金屬零件會導電。這會大大增加發生電擊意外的危險。

5.3.5 工作場所

- a) 請確保工作場所所有足夠的照明。

- b) 請確保工作場所有適當的通風。在通風不良的工作場所接觸粉塵有損健康。

5.3.6 人員防護配備



機具運轉時使用者及在近處的人，必須配戴合適的護目鏡及安全帽、聽力保護耳罩、保護性手套和呼吸保護口罩。

6 使用前注意事項



6.1 電池的使用與保養

zh

附註

電池的效能會因低溫而降低。使用機具之前請先將電池電力充飽。這會確保可使用最大的電池容量。適時更換電池。立刻將電池重新充電，以備下次再度使用。

將電池儲放在涼爽、乾燥的地方。不可將電池貯放在太陽照射到之處、散熱器上、玻璃後方、例如窗戶邊。必須正確且安全地處置壽命到期的電池，以避免環境污染。

6.2 電池充電



危險

僅使用列示於「配件」中的Hilti電池及充電器。

6.2.1 新電池的初次充電

初次使用前請將電池完全充電。

6.2.2 對舊電池進行充電

在將電池置入對應的充電設備充電前，請確認電池的外表清潔且乾燥。

在充電器的操作說明可以找到充電的相關資訊。

鋰電池即使僅部分充電也可以使用。

6.3 裝上電池

注意

在安裝電池前，請確定關上電動機具電源並啟動運送鎖（正轉 / 逆轉開關位於中間）。僅使用經認可可搭配本電動機具使用的Hilti電池。

注意

應避免電池電路短路。將電池置入機具前，請檢查電池正負極與機具上以確保無其他外來物。

1. 由電動機具後方推入電池，直到聽到咬合的喀搭聲為止。
2. **注意** 掉落的電池可能會對您自身以及他人造成受傷的危險。
檢查電池是否穩固地裝入機具內。

6.4 卸下電池 2

1. 按下拆卸鈕。
2. 往機具前方取出電池。

6.5 電池組的搬運和貯放

搬運或貯放機具之前，請將電池自機具卸下。確認電池接點未短路。移除工具箱或攜帶盒上鬆脫的金屬零件，例如螺絲、鋼釘、夾子、鬆脫的螺絲鑽頭、電線或金屬碎屑，或防止這些零件接觸電池組。

無論以道路、鐵路、海運或空運方式運送電池組，均需遵守國家和國際搬運法規。

6.6 皮帶掛鉤 3

注意

開始作業前，請確認皮帶掛鉤已繫牢。

可使用皮帶掛鉤將機具裝至操作員配戴的皮帶上。亦可將皮帶掛鉤安裝至機具的另一側，以方便左手慣用者使用。

1. 請將電池自充電器卸下。
2. 將固定板安裝至所提供的導軌上。
3. 用兩個螺絲固定皮帶掛鉤。

7 操作



注意

此機具會在使用中變熱。請戴上防護手套。

注意

鑽孔及鎖卸螺絲時，機具的握把可能會橫向偏轉（機具容易繞軸旋轉）。

注意

更換彈圈夾具時請戴上防護手套，以免因彈圈夾具導致受傷。

7.1 正轉或逆轉設定 4

附註

正轉 / 逆轉開關係用來選擇起子軸旋轉方向。聯鎖裝置可防止當馬達運轉時，有任何開關動作。當正轉 / 逆轉開關在中間時，控制開關便會鎖住。將正轉 / 逆轉開關推向左邊（以操作方向握住機具）可選擇正轉。將正轉 / 逆轉開關推向右邊（以操作方向握住機具）可選擇逆轉。

7.2 選擇速度範圍 5

警告

大型重型彈圈夾具必須以1檔操作。否則在機具關閉時可能會造成損壞，或是在不當使用的情況下，夾頭可能從機具上脫落。

zh

附註

可使用扭力選擇開關選擇三種扭力設定。SF 2-A/SFD 2-A完全充電電池下的轉速：1檔：0-400 / 分鐘，2檔：0-1500 / 分鐘

附註

只有在馬達停止下，才能操作檔位選擇器。

7.3 On / Off切換

慢慢按下控制開關，可以將旋轉平滑地增加到最大速度。

7.4 更換筒套

注意

更換彈圈夾具時請戴上手套，因為彈圈夾具在使用過程中溫度會上升。

請檢查彈圈夾具的連接頭是否清潔。必要時請清洗連接頭。

7.4.1 更換SF 2-A的鑽頭

附註

此機具配備自動鑽夾頭含可搭配各種配件的鎖定套環，例如螺絲起子鑽頭和鑽頭接桿。

7.4.1.1 安裝彈圈夾具

1. 將正轉 / 逆轉開關設定在中間，或將電池自機具卸下。
2. 打開自動鑽夾頭。
3. 將鑽頭插入夾頭，並轉動自動鑽夾頭套環，直到束緊為止。
4. 檢查鑽頭是否已確實夾住。

7.4.1.2 移除機具

1. 將正轉 / 逆轉開關設定在中間，或將電池自機具卸下。
2. 打開自動鑽夾頭。
3. 將彈圈夾具自夾頭拉出。

7.4.2 更換SFD 2-A的鑽頭 6

附註

此機具配備1/4"六角套筒含可搭配各種配件的鎖定套環，例如螺絲起子鑽頭和鑽頭接桿。

7.4.2.1 安裝彈圈夾具

1. 將正轉 / 逆轉開關設定在中間，或將電池自機具卸下。
2. 將六角套筒上的鎖定套環往前推，然後固定在此位置。
3. 將鑽頭推入六角套筒，然後鬆開鎖定套環。
4. 檢查鑽頭是否已確實夾住。

zh

7.4.2.2 移除機具

1. 將正轉 / 逆轉開關設定在中間，或將電池自機具卸下。
2. 將六角套筒上的鎖定套環往前推，然後固定在此位置。
3. 從六角套筒中拉出鑽頭，然後鬆開鎖定套環。

7.5 鑽孔

注意

請使用夾子或老虎鉗確保工件的穩固。這會比以手來握住工件更穩固，而且可以讓您空出雙手來操作機具。

1. 將扭力與鑽孔模式設定環旋轉至鑽孔記號處。
2. 將正轉 / 逆轉開關移至「Forward」（正轉）。

7.6 螺絲起子作業

1. 將扭力與鑽孔模式設定環旋轉至需要的扭力值。
2. 將正轉 / 逆轉開關設定至需要的旋轉方向。

7.7 讀取鋰電池上LED顯示的充電狀態。 7

附註

機具運轉時無法顯示充電狀態。

附註

將電池狀入機具時，充電狀態顯示LED可能會短暫亮起。

鋰電池具LED顯示充電狀態的功能。如在未操作機具時按下電池上的鎖定按鈕，則四個LED指示燈會顯示出充電狀態。

8 維護和保養

注意

為避免機具不經意啟動，在清潔機具前，請將電池自機具移除。

8.1 彈圈夾具的保養

清潔並除去積存在彈圈夾具上的泥土和灰塵，並常用浸油布擦拭保護以防止生鏽。

8.2 機具保養

注意

請保持機具、尤其是握把表面的清潔，並避免與油脂及潤滑劑接觸。請勿使用內含矽樹脂的清潔劑。

機具的外殼是以防撞塑膠製成。握把是由合成橡膠材質製成。

排氣槽阻塞時請勿使用機具。請使用乾燥之刷子小心清潔排氣槽。勿讓異物進入機具內部。請定期以微濕抹布清潔機具外部。請勿使用噴霧、水壓清潔設備或流動水清洗裝置。這會對機具的電力安全造成不良影響。

8.3 鋰電池的保養

避免濕氣進入。

初次使用前，請將電池完全充電。

為達到最長電池使用壽命，一旦發現電池效能明顯下降時，便要停止電池繼續放電。

附註

若繼續使用，在其電池單元受損前將會自動停止電池繼續放電。

請使用Hilti認可，並專為鋰電池充電用的Hilti充電器。

附註

- 無須進行調整充電（如鎳鎘或鎳氫電池般）。
- 充電過程的中斷不會對電池使用期限造成不良影響。
- 在任何時刻充電皆不會對電池壽命造成不良影響。本電池並無記憶效應（如鎳鎘或鎳氫電池般）。
- 為達最佳狀態，電池最好完全充飽並儲放在涼爽乾燥處。避免將電池儲放在周圍高溫的地方（例如窗戶）。如此會減少電池使用期限並增加其自放電率。
- 如果電池無法再達到完全充飽狀態，有可能是因為電池老化或過度使用引起的電容量損失。此時仍然可能繼續使用此電池。並應儘速更換新電池。

8.4 保養

警告

電動機具電力部分的修復工作僅可由經訓練的電力專員進行。

請定期檢查機具外部零件有否損壞，並確定所有控制裝置皆可正常運作。如果有零件受損或控制裝置無法正常運作，請勿操作機具。必要時，請將機具送至Hilti維修中心修理。

8.5 機具保養與維修後的檢查

在完成機具的保養與維護工作後，請檢查所有防護與安全裝置是否已安裝且能正常運作。

9 故障排除

故障	可能原因	故障排除
機具無法啟動。	電池已放電或安裝不正確。	電池在安裝時必須聽到喀搭聲，或者必須能充到電。
	電力故障	將電池自機具移除並與Hilti維修中心聯絡。
無法按下On / Off開關，表示開關已鎖住。	正轉 / 逆轉開關位於中間（啟動運送鎖）。	將正轉 / 逆轉開關推向左邊或右邊。
本電池較一般電池壽命短。	電池電力不在最佳狀態。	請聯絡Hilti服務中心診斷該電池狀態，或更換新電池。

zh

故障	可能原因	故障排除
電池咬合時沒有發出喀啦聲。	電池上的定位架太髒。	清潔定位架並檢查電池是否確實咬合。如果問題依然存在，請洽詢Hilti維修中心。
機具或電池變得非常熱。	電力故障	立即將機具關閉，卸下電池，並與Hilti維修中心聯絡。
	機具超過負荷（超出使用限制）。	使用正確機具來工作（勿將低電能機具用在超過負荷的工作上）。

10 廢棄機具處置

注意

不當處置廢棄設備會造成嚴重的後果：塑膠部件若起火，將產生危害健康的有毒煙霧。電池如果受損或暴露在極高溫度下，可能會爆炸，進而造成毒性灼傷、酸性灼傷，或環境污染。處置廢棄設備若不夠小心，可能會導致以未經授權或是不當的方式使用設備。這可能會造成嚴重的人員傷害，或傷及他人及對環境造成污染。

注意

立即處置有瑕疵的電池。將電池放在兒童拿不到的地方。請勿企圖將電池打開或分解及作焚化處理。

注意

廢棄電池處置需符合國家法律或交付Hilti服務中心。

zh



Hilti機具或設備所採用的材料，大部分都可回收利用。材料在被回收前必須正確地分類。Hilti在很多國家已有設立據點，將您的舊機具或設備回收。請詢問您的Hilti客戶服務部或Hilti代表人員以取得進一步資訊。



僅適用於歐盟國家。

不可將電動機具與家庭廢棄物一併處置。

依據歐盟指令關於電子及電器設備廢棄物的規範，以及國家相關施行法律規定，已達使用年限的電子設備必須分別收集，並交由環保回收機構處理。

11 製造商保固 – 機具

如果您對於保固條件有任何問題，請聯絡當地Hilti代理商。

12 EC歐規符合聲明 (原版)

產品名稱：	充電式電鑽 / 起子
型號：	SF 2-A/SFD 2-A
產品代別：	01
製造年份：	2013

本公司在此聲明，我們的唯一責任在於本產品符合下列指示或標準：
2006/42/EC, 2004/108/EC, 2006/66/EC, 2011/65/EU, EN 60745-1,
EN 60745-2-1, EN 60745-2-2, EN ISO 12100。

Hilti Corporation, Feldkircherstrasse 100, FL-9494 Schaan

Paolo Luccini
Head of BA Quality and Process Management
Business Area Electric Tools & Accessories
03/2014

Tassilo Deinzer
Executive Vice President
Business Unit Power Tools & Accessories
03/2014

zh

技術文件歸檔於：
Hilti Entwicklungsgesellschaft mbH
Zulassung Elektrowerkzeuge
Hiltistrasse 6
86916 Kaufering
Deutschland

原版操作说明

SF 2-A/SFD 2-A 充电式电钻/起子机

在第一次使用电动工具之前请务必阅读本操作说明。

应始终将本操作说明与电动工具保存在一起。

当您把电动工具交给他人时，请确保一并交付本操作说明。

目录

1	概述信息	393
2	描述	394
3	插入工具、配件	396
4	技术数据	396
5	安全说明	398
6	在使用之前	402
7	操作	404
8	维护和保养	406
9	故障排除	408
10	废弃处置	408
11	制造商保修 - 工具	409
12	EC 符合性声明 (原稿)	409

cn

1 有关这些编号请参考相应的示图。示图可以在折页上找到。当学习操作说明时，应保持将这些折页打开。

在本操作说明中，“电动工具”是指安装有电池的 SF 2-A 或 SFD 2-A 充电式电钻/起子机。

部件、操作控制器和指示灯 **1**

- ① 无匙夹头 (SF 2-A)
- ② 扭矩和钻孔模式调节圈
- ③ 档位选择开关
- ④ 带锁套的六角套筒 (SFD 2-A)
- ⑤ 前进/后退开关
- ⑥ 把手
- ⑦ 灯
- ⑧ 带钩 (选装)

- ⑨ 充电状态指示灯
- ⑩ 释放按钮
- ⑪ 控制开关 (带电子速度控制器)

1 概述信息

1.1 安全提示及其含义

-危险-

用于让人们能够注意到可能会导致严重身体伤害或致命的迫近危险。

-警告-

用于让人们能够注意到可能会导致严重人身伤害或致命的潜在危险情形。

-小心-

用于让人们能够注意到可能会导致较小人身伤害、设备损坏或其它财产损失的潜在危险情形。

-注意-

用于提醒人们注意操作说明和其它有用信息。

1.2 象形图的解释和其它信息

警告符号



一般警告



警告：小心触电



警告：腐蚀性物质

责任符号



戴上护目装置



戴上安全帽



戴上护耳装置



戴上防护手套



戴上呼吸防护装置

cn

符号



请在使用之前阅读操作说明



V



直流电

n_0

无负荷下的额定转速

/min

每分钟转速



不带锤击作用的钻孔



返回废料用于回收。

电动工具上标识数据的位置

型号名称可在电动工具底部铭牌上找到，序列号位于壳体的侧面。将这些数据记录在您的操作说明上，当向您的喜利得公司代表或服务部门提出查询时，将总是需要它们作为参考。

型号：

分代号：01

序列号：

2 描述

2.1 产品使用指南

cn

SF 2-A 和 SFD 2-A 是手持充电式电钻/起子机，用于驱动安装/拆卸螺钉以及在钢材、木材和塑料中钻孔。

不允许在对健康有害的材料上工作 (例如石棉)。

不要将电池用作其它未指定设备的电源。

不允许改装电动工具或篡改其部件。

为避免造成人身伤害，仅允许使用 Hilti 公司原装配件和插入工具。

请务必遵守操作说明中列出的有关操作、维护和保养的信息。

本电动工具仅供用于专业用途，并且只能由经过授权和培训的人员操作、维护和保养。该人员必须了解可能遇到的任何特殊危险。不按照说明使用或未经培训的人员不正确地使用电动工具或其辅助设备，可能会带来危险。

工作环境可能涉及：建筑工地、车间内的翻新、改装或新建等工作。

2.2 夹头

SF 2-A 带有一个无匙夹头，SFD 2-A 带有一个六角套筒驱动器。

2.3 开关

带电子速度控制器的控制开关

档位选择开关

前进/后退选择开关，带安全锁

扭矩和钻孔模式调节圈

2.4 把手

减振把手

2.5 供货提供的部件包括 (工具箱版本) :

- 1 电动工具
- 1 操作说明
- 1 Hilti 工具箱

2.6 供货提供的部件包括 (纸板盒版本) :

- 1 电动工具
- 1 操作说明

2.7 操作本工具所需的其它部件 :

B 12/2.6 Li-Ion 电池及 C4/12-50 充电器。

2.8 锂离子电池充电状态显示屏

LED 持续亮起	LED 闪烁	充电状态 C
LED 1、2、3、4	-	$C \geq 75\%$
LED 1、2、3	-	$50\% \leq C < 75\%$
LED 1、2	-	$25\% \leq C < 50\%$
LED 1	-	$10\% \leq C < 25\%$
-	LED 1	$C < 10\%$

cn

2.9 过载和过热保护

本电动工具配有电子保护系统，以防止过载和过热。当发生过载和过热时，电动工具将会自动关闭。在释放控制开关后，当再次按下该开关时电动工具可能不会立即重新启动（电动工具正在冷却）。

-注意-

过载或过热不会通过电池上的 LED 指示。

3 插入工具、配件

名称	缩写
用于锂离子电池的充电器	C 4/12-50
电池	B 12/2.6 Li-Ion
带钩 (选装)	

名称	说明
无匙夹头夹紧范围	∅ 0.8... 10 mm
在木材 (软质) 中的钻孔直径范围	∅ 0.8... 14 mm
在木材 (硬质) 中的钻孔直径范围	∅ 0.8... 10 mm
在金属中的钻孔直径范围	∅ 0.8... 6 mm
木材螺钉 (最大长度 80 mm)	∅ 3... 6 mm

4 技术数据

cn

保留作出技术更改的权利！

电动工具	SF 2-A	SFD 2-A
额定电压 (直流电压)	10.8 V	10.8 V
重量 (按照 EPTA 标准 01/2003)	1.1 kg	1.0 kg
1 档转速 (带 B 12/2.6)	0... 400/min	0... 400/min
2 档转速 (带 B 12/2.6)	0... 1,500/min	0... 1,500/min
工具设置至钻孔符号时的扭矩 (软/柔性接头)	最大 12 Nm	最大 12 Nm
扭矩范围 (15 个设置)	0.5... 3.5 Nm	0.5... 3.5 Nm

-注意-

本信息表中给出的振动传导水平是按照 EN 60745 中给定的标准化测试进行测量的，可用于比较一个工具与另一个工具。它还可用于初步评价受振动影响的程度。表中发布的振动传导水平只适用于本电动工具的主要应用场合。如果将电动工具用于不同的应用场合、使用不同的配件或维护不良，则振动传导水平可能不同，而且这可能会显著增加操作者在整个工作期间受振动影响的程度。对受振动影响程度的估计还应考虑当关闭电动工具或当它运行但实际未进行工作时的情况，这样可以显著减少操作者在整个工作期间受振动影响的程度。此外，应确定附加安全措施，以保护操作者免受振动影响，例如：正确维护电动工具和配件、保持双手温暖、制订合理的工作计划等。

噪声和振动信息 (按照 EN 60745 测量) :

SF 2-A/SFD 2-A 典型的 A 加权声功率级	75 dB (A)
SF 2-A/SFD 2-A 典型的 A 加权声压级	64 dB (A)
给定声级的不确定性	3 dB (A)
三维振动值 (振动向量和)	按照 EN 60745-2-2 测量
对于 SF 2-A/SFD 2-A : 不带冲击作用的螺丝驱动, a_n	0.5 m/s ²
不确定性 (K)	1.5 m/s ²
三维振动值 (振动向量和)	按照 EN 60745-2-1 测量
对于 SF 2-A/SFD 2-A : 在金属中钻孔, $a_{n,D}$	1.9 m/s ²
三维振动测量的不确定性 (K)	1.5 m/s ²
电池	B 12/2.6 Li-Ion
额定电压	10.8 V
容量	2.6 Ah
能量容量	28.08 Wh
重量	0.24 kg
温度监控	是
单元格类型	锂离子
单元格数量	3

cn

5 安全说明

-注意-

章节5.1中的安全规定包括电动工具的所有一般性安全规定，按照适用标准，必须将这些安全规定列在操作说明中。因此，所列的某些规定可能与本电动工具无关。

5.1 一般电动工具安全警告

a) -警告-

请阅读所有安全警告和操作说明。不遵守安全警告和操作说明可能会导致电击、火灾和/或严重人身伤害。请保存所有安全警告和操作说明，以供将来参考。在所有警告中，词语“电动工具”是指您的通过主电源操作的电动工具(带电缆)或通过自身电池操作的电动工具(不带电缆)。

5.1.1 工作区域安全

- 保持工作区域清洁并具有良好的照明。杂乱或黑暗的区域容易导致事故。
- 不要在爆炸性环境中操作电动工具，例如有易燃液体、气体或灰尘。电动工具会产生可以点燃这些灰尘或烟雾的火花。
- 在操作电动工具时，要令儿童和旁观者远离工作现场。万一分心，可能会使您失去对电动工具的控制。

5.1.2 电气安全

- 电动工具插头必须匹配电源插座。切勿以任何方式改动插头。对于接地的电动工具，不要使用任何适配器插头。使用未经改动的插头和匹配的电源插座可以大大减少电击危险。
- 避免身体接触到接地的表面，例如管路、散热器、炉灶和冰箱。如果您的身体接地，则会增加电击危险。
- 不要将电动工具暴露在雨水或潮湿环境中。电动工具进水将会增加电击危险。
- 不要滥用电缆。切勿使用电缆运送、拉动或拔出电动工具。保持电缆远离高温、油、锋利边缘或运动部件。电缆损坏或缠绕会增加电击危险。
- 当在户外操作电动工具时，应使用经认可适合户外操作的加长电缆。使用适合户外操作的电缆可减少电击危险。
- 若不可避免要在潮湿位置操作电动工具，则应使用剩余电流装置(RCD)保护电源。使用RCD可减小电击危险。

5.1.3 人身安全

- 保持警觉，注意您正在进行的工作，并在操作电动工具的过程中，应利用自己的判断能力。当您疲劳或受到药物、酒精或医疗影响时，请不要

使用电动工具。当操作电动工具时，瞬间的分心都可能导致严重的人身伤害。

- b) 使用个人防护装备。一定要戴上护目装置。防尘罩、防滑安全鞋、安全帽或用于适当情况下的听觉防护装置等防护装备可减少人身伤害。
- c) 防止电动工具意外启动。在连接至电源和/或电池组、拿起或搬运电动工具之前，应确保开关处于“关闭”位置。将手指放在开关上搬运电动工具或在开关处于“打开”位置时接通电源，都可能会导致事故发生。
- d) 在打开电动工具之前，必须拿掉任何调整键或扳手。让扳手或调整键留在电动工具的旋转部件上可能会导致人身伤害。
- e) 不要操之过急。应时刻保持正确的站姿和平衡。这在意外情况下能够更好地控制电动工具。
- f) 应正确穿着。不要穿着松垮的衣服或佩戴首饰。让头发、衣服和手套远离运动部件。松垮的衣服、首饰或长发会卡在运动部件中。
- g) 如果提供有用于连接除尘和集尘设施的装置，应确保将它们连接好并正确使用。使用除尘装置可以减少与灰尘相关的危险。

5.1.4 电动工具的使用和维护

- a) 不要强制使用电动工具。针对您的应用场合使用正确的电动工具。正确的电动工具在其额定设计值范围内将能够更好和更安全地工作。
- b) 如果通过开关不能使其打开和关闭，则请不要使用电动工具。任何不能通过开关进行控制的电动工具都是危险的，必须对其进行修理。
- c) 在进行任何调整、更换配件或存放电动工具之前，应从电源上断开插头和/或从电动工具上断开电池组。此预防性安全措施可减少意外启动电动工具的危险。
- d) 将不用的电动工具存放在儿童够不到的地方，并且不要让不熟悉电动工具或其操作说明的人员操作电动工具。在未经培训的用户手里，电动工具是危险的。
- e) 维护电动工具。检查是否存在运动部件失调或卡滞、部件断裂和任何其他影响电动工具操作的情况。如果存在损坏，则在使用之前应修理电动工具。许多事故都是由于电动工具维护不良造成的。
- f) 保持切割工具锋利和清洁。带锋利切削刃的切削工具如果维护得当，很少会发生卡滞且更容易控制。
- g) 按照操作说明使用电动工具、配件和钻头，并将工作条件和将要执行的工作考虑在内。将电动工具用于指定用途以外的场合会导致危险。

cn

5.1.5 无绳(电池操作)工具的使用和维护

- a) 充电时只能使用制造商指定的充电器。适合某种类型电池组的充电器如果被用于为另一类型电池组充电，则可能会带来火灾危险。
- b) 只能使用专用电池组为电动工具供电。使用任何其它电池组可能会带来人身伤害和火灾。

- c) 当电池组不用时，应使其远离其它金属物体，例如纸夹、硬币、钥匙、钉子、螺钉或其它小的金属物体，以免造成短路。如果电池端子被短路，则会造成人员烧伤或火灾。
- d) 如果持续滥用电池，则可能会造成液体从电池中喷射出来；注意避免接触到液体。如果意外接触到液体，应用水冲洗。如果液体接触眼睛，除了用大量清水冲洗外，还应立即就医。从电池中喷射出来的液体会导致疼痛或灼伤。

5.1.6 维修

- a) 您的电动工具只能由合格的维修人员使用原装备件进行修理。这样才能确保维持电动工具的安全性。

5.2 钻孔安全警告

- a) 当进行冲击式钻孔时，应佩戴护耳装置。如果直接暴露在噪音中，则可能会导致听力受损。
- b) 应总是使用辅助手柄 (若随工具提供)。对工具失去控制可能会导致人身伤害。
- c) 当执行切削配件可能会接触到隐藏导线的操作时，应确保只能通过绝缘把手表面握住电动工具。如果切削配件接触“带电”导线，则会使电动工具的裸露金属部件“带电”，从而可能会电击到操作者。

5.3 附加的安全说明

5.3.1 人身安全

- a) 当执行紧固件可能会接触到隐藏导线的操作时，应确保只能通过绝缘把手表面握住电动工具。如果紧固件接触“带电”导线，则会使电动工具的裸露金属部件“带电”，从而可能会电击到操作者。
- b) 应始终用双手通过提供的把手稳稳握住电动工具。保持把手干燥、清洁和没有油脂。
- c) 在工作期间休息时，可活动一下您的手指，以改善手指的血液循环。
- d) 避免接触旋转部件。仅在将电动工具带到工作位置时才可打开电动工具。接触旋转部件，特别是旋转起来的插入工具，会导致伤害。
- e) 在存放或运输电动工具之前，应启动安全锁 (前进/后退开关处于中间位置)。
- f) 儿童、没有经过培训或没有接受过指导的人以及劳累过度的人不适合使用本电动工具。
- g) 必须告知儿童不要玩耍本电动工具。
- h) 一些材料产生的灰尘，例如含铅油漆、某些木屑、矿物和金属，可能对人体有害。接触或吸入这些灰尘可能会导致操作者或旁观者出现过敏反应和/或呼吸疾病。某些种类的灰尘还属于致癌物质，例如橡木和山毛榉木灰尘，特别是在带木材调节添加剂 (铬酸盐、木材防腐剂) 时。含石棉的材料只能由专业人员进行处理。在能使用除尘装置时应尽可能使

用。为达到高水平的除尘效果，在使用本电动工具时，应使用 Hilti 公司推荐适合于木材灰尘和/或矿物灰尘的真空吸尘器类型。确保工作场所良好通风。建议使用过滤等级为 P2 的防尘面罩。遵守有关工作材料的国家要求。

5.3.2 电动工具的使用和维护

- 固定工件。必要时可使用夹子或台钳固定工件。这样，工件可比用手固定更稳固，而且可以腾出双手来操作电动工具。
- 检查并确认所用的插入工具兼容夹头系统并且它们正确固定在夹头中。
- 大型和重型插入工具只能以 1 档操作。否则，当工具关闭或处于不利条件时会有损坏风险，夹头可能会被分离。

5.3.3 无绳 (电池操作) 工具/设备的使用和维护

- 在插入电池组之前，应确保开关处于“关闭”位置。如果在开关处于“打开”位置的情况下将电池组插入电动工具，则很容易导致事故。
- 不得将电池暴露在高温或明火环境下。否则会有爆炸危险。
- 请勿拆开、挤压或烧毁电池，不要让它们暴露在高于 80 °C 的高温下。接触腐蚀性物质会带来火灾、爆炸或受伤危险。
- 避免湿气侵入。湿气可能会导致短路，从而引起烧伤或火灾。
- 请仅使用与应用工具或设备配套的电池。如果使用不配套的电池或将电池用于非指定应用场所，则会有火灾和爆炸危险。
- 遵守有关锂离子电池运输、存放和使用的特殊说明。
- 在存储或运输电动工具之前，必须拆下电池。
- 避免令电池短路。在将电池插入电动工具前，检查并确保电池和电动工具的端子无异物。如果电池端子短路，则存在火灾、爆炸和化学烧伤的危险。
- 对于已损坏的电池 (例如出现裂纹、部件断裂、触点弯曲或压入和/或拉出的电池)，请不要充电或继续使用。
- 若电池变得过热而不能触摸，则表明有故障。将本工具置于可观察到的位置，使其远离易燃材料，并让其冷却下来。在电池已冷却后，即联系喜利得维修部门。

cn

5.3.4 电气安全



在开始工作之前，应检查工作区域 (例如使用金属探测器) 以确保没有隐藏的电缆或煤气管和水管。如果有电缆意外受损，则电动工具的外部金属部件可能会因接触而带电。这会导致严重的电击危险。

5.3.5 工作区域

- a) 确保工作场所保持良好照明。
- b) 确保工作场所良好通风。在通风不良的工作场所下灰尘极易损害人体健康。

5.3.6 个人防护装备



当使用电动工具时，用户和附近的任何其他人员都必须戴上适当的护目装置、安全帽、护耳装置、防护手套和呼吸防护装置。

6 在使用之前



cn 6.1 电池的使用和维护

-注意-

电池性能在低温时会下降。仅在对电池完全充电后才可使用本工具。这可确保获得最大的电池容量。应及时换用另一电池。立即为电池再充电，以便为再次使用做好准备。

将电池存放在凉爽、干燥的地方。切勿将电池存放在阳光直射的地方、散热器上或窗户等玻璃后方。已经达到使用寿命极限的电池必须进行安全和正确的废弃处理，并避免环境污染。

6.2 为电池充电



-危险-

仅使用“配件”中列明的喜利得公司电池和喜利得公司充电器。

6.2.1 首次为新电池充电

在首次使用电池之前，要给电池完全充电。

6.2.2 为先前使用过的电池充电

在将电池插入相应的充电器之前，应确保电池外表面清洁和干燥。

有关充电的信息可查阅充电器操作说明。

锂离子电池随时可用，即使仅部分充电也不例外。

6.3 安装电池

-小心-

在安装电池之前，检查并确认电动工具是关闭的，且安全锁已接合（前进/后退开关处于中间位置）。仅可使用适用于本电动工具的喜利得电池。

-小心-

在将电池插入工具之前，检查以确保电池接线端和工具的端子上无异物。

1. 从前部将电池推入电动工具中，一推到底，直至听到接合的“咔哒”声。
2. -小心- 如果电池掉落，则可能会对自己或他人造成人身伤害。

检查并确认电池已牢固地就位 in 电动工具中。

cn

6.4 拆下电池

1. 按下释放按钮。
2. 朝前从工具拉出电池。

6.5 电池组的运输和存储

在运输或存储之前，必须从工具上拆下电池。确保电池各触点都没有短路。将松散的金属部件如螺钉、钉子、夹子，以及松散的螺丝驱动套头、电线或金属刀具和切屑等从工具箱或运输容器中清除出去，以防止这些部件接触到电池触点。

当运输电池组时，请遵守国内和国际的运输规定（公路、铁路、海上或空中运输）。

6.6 带钩 3

-小心-

在开始工作之前，检查并确保带钩已可靠安装。

通过带钩可将电动工具连接在操作者佩戴的背带上。带钩也可安装至电动工具的另一侧，以供惯用左手的人使用。

1. 从工具中取出电池。
2. 将安装板安装至提供的导向装置上。
3. 用两个螺钉固定带钩。

7 操作



-小心-

在使用过程中，本工具可能会变得很热。戴上防护手套。

-小心-

当钻孔和进行螺旋驱动时，工具的把手可能会横向偏转（因工具有围绕自身轴线旋转的趋势）。

-小心-

为了避免被插入工具伤害，在更换插入工具时应佩戴防护手套。

7.1 设置前进或后退旋转 4

cn

-注意-

使用前进/后退开关选择驱动主轴的旋转方向。但在电动机运行时，联锁装置将会阻止此切换。当前进/后退开关位于中间位置时，控制开关被锁止。将前进/后退开关推至左侧（电动工具固定在工作方向）可选择前进旋转。将前进/后退开关推至右侧（电动工具固定在工作方向）可选择后退旋转。

7.2 选择速度范围 5

-警告-

大型和重型插入工具只能以 1 档操作。否则，当工具关闭或处于不利条件时会有损坏风险，夹头可能会被分离。

-注意-

档位选择开关可用于选择速度范围。电池充满电的 SF 2-A/SFD 2-A 的速度范围：1 档：0-400/min，2 档：0-1500/min。

-注意-

仅当电机停止时才可操作档位选择开关。

7.3 打开/关闭

通过慢慢按下控制开关可平稳地加快转速，直至最高转速。

7.4 更换套筒

-小心-

当更换插入工具时应戴上防护手套，因为插入工具在使用过程中会变得很热。

检查并确认插入工具的连接端清洁。必要时清洁连接端。

7.4.1 更换 SF 2-A 上的钻头

-注意-

该电动工具配备一个无匙夹头，可安装钻头、螺丝驱动套头和钻头夹等不同配件。

7.4.1.1 安装插入工具

1. 将前进/后退开关设置在中间位置或从电动工具上拆下电池。
2. 打开无匙夹头。
3. 将钻头插入夹头中，然后旋转无匙夹头衬套直至紧固。
4. 检查并确认钻头已可靠固定。

7.4.1.2 拆卸工具

1. 将前进/后退开关设置在中间位置或从电动工具上拆下电池。
2. 打开无匙夹头。
3. 将插入工具拉出夹头。

cn

7.4.2 更换 SFD 2-A 上的钻头

-注意-

该电动工具配备一个 1/4" 带锁套的六角套筒，可安装钻头、螺丝驱动套头和钻头夹等不同配件。

7.4.2.1 安装插入工具

1. 将前进/后退开关设置在中间位置或从电动工具上拆下电池。
2. 向前将锁套推至六角套筒上，并将其可靠固定在位。
3. 将钻头推入六角套筒，一推到底，然后释放锁套。
4. 检查并确认钻头已可靠固定。

7.4.2.2 拆卸工具

1. 将前进/后退开关设置在中间位置或从电动工具上拆下电池。
2. 向前将锁套推至六角套筒上，并将其可靠固定在位。
3. 从六角套筒拉出钻头，然后释放锁套。

7.5 钻孔

-小心-

必要时可使用夹子或台钳固定工件。这样，工件可比用手固定更稳固，而且可以腾出双手来操作电动工具。

1. 将扭矩和钻孔模式调节圈旋转至钻孔符号。
2. 将前进/后退开关移至“前进”位置。

7.6 螺丝驱动

1. 将扭矩和钻孔模式调节圈设置至所需的扭矩值。
2. 将前进/后退开关设置到期望的旋转方向。

7.7 查看锂离子电池上的充电状态 LED 显示 7

-注意-

当工具处于操作状态时不能指示充电状态。

-注意-

在将电池安装至本工具时，充电状态显示屏 LED 会短时亮起。

锂离子电池具有充电状态 LED 显示功能。当本工具未处于操作状态时，按下电池上的锁止按钮，四个 LED 会显示充电状态。

cn 8 维护和保养

-小心-

在开始清洁之前，为了防止意外启动，应从电动工具上拆下电池。

8.1 维护插入工具

清除插入工具上的污物和灰尘，并通过使用浸油抹布不时擦拭来防止插入工具出现腐蚀。

8.2 维护电动工具

-小心-

保持电动工具清洁和没有油脂，特别是其把手表面。不要使用含硅的清洁剂。

电动工具的外壳由耐冲击塑料制成。把手部分由合成橡胶材料制成。

当通风槽堵塞时切勿操作电动工具。使用干燥的刷子小心清洁通风槽。不要让异物进入电动工具内部。使用干净微湿抹布定期清洁电动工具外部。不要使用喷雾器、蒸气压力清洁设备或流水进行清洁，否则会给电动工具的电气安全带来不利影响。

8.3 锂离子电池的保养

注意避免湿气侵入。

在首次使用电池之前，要给电池完全充电。

为了获得最长的电池使用寿命，一旦注意到电池性能明显下降，应立即停止让电池放电。

-注意-

如果继续使用，工具会自动停止电池的进一步放电，以防电池单元格损坏。使用喜得利设计用于锂离子电池并认可的充电器给电池充电。

-注意-

- 不需要进行调节性充电（这对镍镉或镍氢电池是必须的）。
- 充电过程中断对电池寿命没有负面影响。
- 随时都可以开始充电，这对电池寿命没有负面影响，因为没有记忆效应（镍镉或镍氢电池有）。
- 为了获得最好的结果，电池应在完全充电状态下存放在凉爽、干燥的地方。避免将电池存储在高温环境中（如阳光照射的窗户外），因为这会对电池的使用寿命产生不利影响并加快其自放电速度。
- 如果电池无法继续达到完全充电状态，则可能是电池因老化或超负载而失去了容量。该电池可能仍可使用。但是，应尽快换用新电池。

8.4 维护

-警告-

只能由经过培训的电气专业人员修理电动工具的电气系统。

定期检查电动工具的所有外部部件是否损坏并检查确认所有控制器都可无故障工作。如果部件损坏或当控制器不能无故障工作时，请不要操作电动工具。必要时，应将电动工具送至 Hilti 公司维修中心进行维修。

8.5 在维护和保养之后检查电动工具

在对电动工具进行维护和保养之后，检查并确认所有保护和装置都已安装且它们都可无故障地工作。

cn

9 故障排除

故障	可能原因	措施
电动工具不运行。	电池放电或安装不正确。	必须听见电池接合的“咔哒”声或电池需要相应充电。
	电气故障。	将电池从电动工具上拆下，并联系 Hilti 公司维修中心。
不能按下“打开/关闭”开关，即开关被锁止。	前进/后退开关位于中间位置 (安全锁已接合)。	将前进/后退开关推向左侧或右侧。
电池比平常更快耗尽。	电池状况不是最佳。	请让 Hilti 公司维修中心诊断电池状况或更换新电池。
电池没有在听到“咔哒”声的情况下接合。	电池上的固定凸耳脏污。	清洁固定凸耳，并检查确认电池已牢固接合。如果问题持续出现，则请联系 Hilti 公司维修中心。
电动工具或电池变得非常热。	电气故障。	立即关闭电动工具，拆下电池并联系 Hilti 公司维修中心。
	电动工具已过载 (超过应用极限)。	针对工作情况使用正确的电动工具 (不要将低功率工具用于重负荷作业)。

cn

10 废弃处置

-小心-

不正确地废弃处置设备可能会产生严重后果：塑料部件燃烧会产生危害健康的有毒烟雾。电池如果损坏或暴露在极高的温度下，可能会发生爆炸，从而导致中毒、烧伤、酸蚀或环境污染。如果废弃处置疏忽，则可能会造成设备的未授权或不正确的继续使用，从而导致严重的人身伤害、第三方伤害和环境污染。

-小心-

有故障的电池应立即废弃处置。不要让儿童接触到它们。不要试图打开或解体电池，也不要使用焚化方法进行废弃处置。

-小心-

按照国家法规废弃处理电池或将其交回喜利得公司。



Hilti 电动工具或设备的大多数制作材料都可以回收利用。在可以回收之前，必须正确分离材料。在许多国家中，Hilti 公司已经对旧电动工具或设备的回收利用作了安排。有关进一步的信息，请咨询您的 Hilti 公司客户服务部门或 Hilti 公司代表。



仅限于欧洲国家

不允许将电动工具与家用垃圾一起处理！

遵守欧洲指令和地区法律有关废弃电气和电子设备的规定，并且废弃处置的实施应该符合国家法律。必须单独收集已达到使用寿命期限的电气设备，并以环保的方式进行回收。

11 制造商保修 - 工具

如果您有保修条件方面的问题，请联系您当地的喜利得公司代表。

12 EC 符合性声明 (原稿)

名称：	充电式电钻/起子机
型号：	SF 2-A/SFD 2-A
分代号：	01
设计年份：	2013

cn

按照我们单方面的责任，我们声明本产品符合下列指令和标准：
2006/42/EC, 2004/108/EC, 2006/66/EC, 2011/65/EU, EN 60745-1,
EN 60745-2-1, EN 60745-2-2, EN ISO 12100。



Paolo Luccini
Head of BA Quality and Process Management
Business Area Electric Tools & Accessories
03/2014



Tassilo Deinzer
Executive Vice President
Business Unit Power Tools & Accessories
03/2014

技术文档提交于：

Hilti Entwicklungsgesellschaft mbH
Zulassung Elektrowerkzeuge
Hiltistrasse 6
86916 Kaufering
Deutschland

HILTI

Hilti Corporation

LI-9494 Schaan

Tel.: +423/234 21 11

Fax: +423/234 29 65

www.hilti.com

Hilti = registered trademark of Hilti Corp., Schaan

W 4334 | 0314 | 00-Pos. 8 | 1

Printed in China © 2014

Right of technical and programme changes reserved S. E. & O.

2081400 / A2

