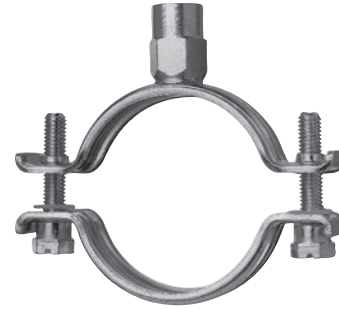
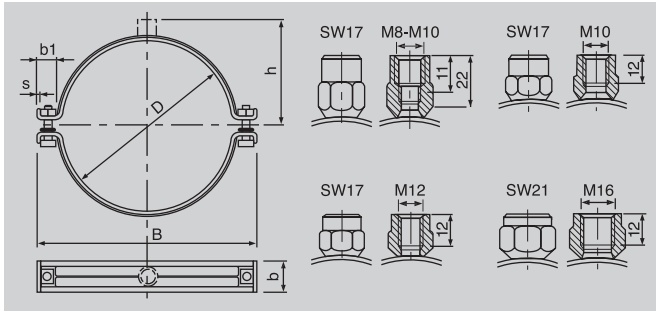


## MP-MS heavy-duty pipe ring, sprinkler pipe

**Features:**

- Clamping screws (M 8 up to 6", M 10 above this size) secured against loss, with hexagon and combination cross-recess heads.
- Heavy-duty, welded-on nuts for clamping screws above 68/72 mm pipe size.
- M 8 / M 10 stepped thread up to 2" size.
- Clamping band swaged for greater strength

Loading as per VdS and FM regulations



### MP-MS pipe ring

Size	Clamping range, D (mm)	Approval	Connection boss across flats	Dimensions (mm) B b x s	h	b <sub>1</sub>	Box contents	Transport Box contents	Ordering designation	Item no.	
1/2"	20- 25	VdS/UL	M8-M10/SW17*	61	24 x 2.5	39	17	25	100	<b>MP-MS 1/2" B</b>	<b>00260519</b>
3/4"	25- 30	VdS/UL	M8-M10/SW17*	67	24 x 2.5	42	17	25	100	<b>MP-MS 3/4" B</b>	<b>00260520</b>
1	32- 38	VdS/UL	M8-M10/SW17*	75	24 x 2.5	45	17	25	100	<b>MP-MS 1 B</b>	<b>00260521</b>
1 1/4"	40- 45	VdS/UL	M8-M10/SW17*	83	24 x 2.5	49	17	25	100	<b>MP-MS 1 1/4" B</b>	<b>00260522</b>
1 1/2"	48- 54	VdS/UL	M8-M10/SW17*	92	24 x 2.5	53	17	25	100	<b>MP-MS 1 1/2" B</b>	<b>00260523</b>
2	57- 64	VdS/UL	M8-M10/SW17*	104	24 x 2.5	58	17	10	50	<b>MP-MS 2 B</b>	<b>00260525</b>
2 1/2"	70- 77	VdS/FM/UL	M10/SW17	122	24 x 2.5	58	17	10	50	<b>MP-MS 2 1/2" H</b>	<b>00260527</b>
3	82- 90	VdS/FM/UL	M10/SW17	135	24 x 2.5	65	17	10	20	<b>MP-MS 3 H</b>	<b>00260529</b>
101.6	97-103	VdS/FM/UL	M10/SW17	153	30 x 2.5	71	21	5	20	<b>MP-MS 101.6 H</b>	<b>▲ 00260530</b>
4	108-114	VdS/FM/UL	M10/SW17	165	30 x 2.5	77	21	5	20	<b>MP-MS 4 H</b>	<b>00260531</b>
117	114-119	VdS/FM/UL	M12/SW17	170	30 x 2.5	79	21	5	20	<b>MP-MS 117 J</b>	<b>00260532</b>
127	125-133	VdS/FM/UL	M12/SW17	183	30 x 2.5	86	21	-	10	<b>MP-MS 127 J</b>	<b>▲ 00260534</b>
5	137-142	VdS/FM/UL	M12/SW17	193	30 x 2.5	91	21	-	10	<b>MP-MS 5 J</b>	<b>▲ 00260536</b>
159	156-162	VdS/FM/UL	M12/SW17	216	30 x 2.5	102	21	-	10	<b>MP-MS 159 J</b>	<b>00260538</b>
6	162-168	VdS/FM/UL	M12/SW17	223	30 x 2.5	105	21	-	10	<b>MP-MS 6 J</b>	<b>00260539</b>
177.8	175-180	VdS/FM/UL	M16/SW21	235	30 x 3	112	22	-	10	<b>MP-MS 177.8 C</b>	<b>00260540</b>
193.7	190-200	VdS/FM/UL	M16/SW21	254	30 x 3	122	22	-	10	<b>MP-MS 193.7 C</b>	<b>00260541</b>

\* Minimum connection boss size for FM/UL is M 10. See special FM programme MP-SPZ for rings above 4 dia.

▲ – PLEASE ASK FOR DELIVERY DETAILS.