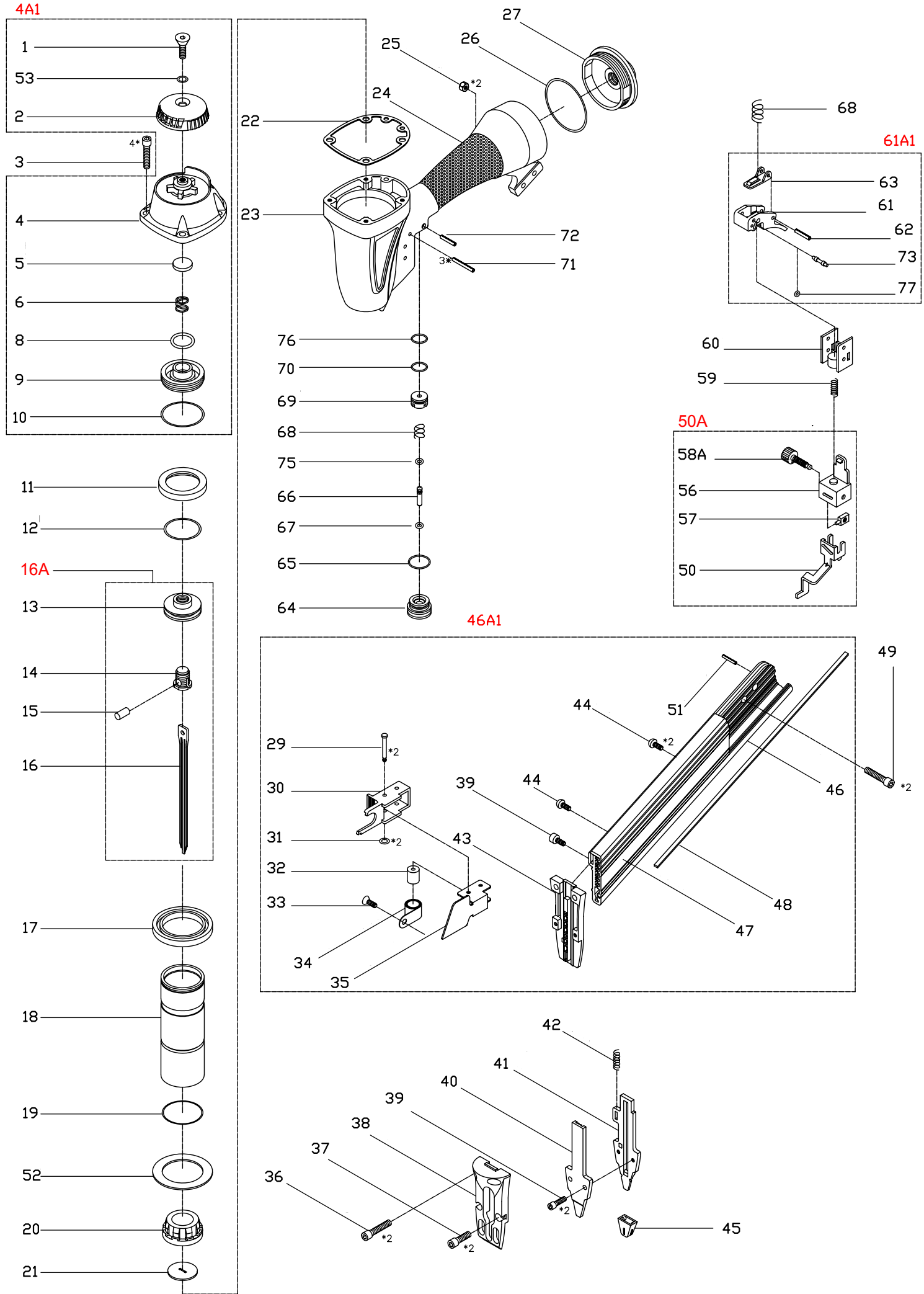


18GA ANGLE FINISHING NAILER PR-1850E



MODEL PR-1850E 18GA ANGLE FINISHING NAILER					
INDEX	PART NO	DESCRIPTION	INDEX	PART NO	DESCRIPTION
1	JFS0610BF	FLAT.HD.BOLT	39	JHS0408BW	HEX.SOC.HD.BOLT
2	F15000201	EXHAUST COVER	40	D15004001	DRIVER GUIDE PLATE
3	JHS0518BWF	HEX.SOC.HD.BOLT	41	E15004101	NOSE
4	A15000401	CAP	42	G15004201	SPRING
5	F15000501	SEAL	43	E15004301	CORE TRIP
6	G15000601	SPRING	44	JUS0408BF	UM.HD.BOLT
8	ID1690W270	O-RING	45	F15004501	RUBBER PAD
9	F15000901	PISTON HEAD VALVE	46	B15004601	MAGAZINE
10	ID3500W210	O-RING	47	B15004701	MAGAZINE COVER
11	F15001101	SEAL	48	D15004801	NAIL LINER
12	ID2657W353	O-RING	49	JHS0512B	HEX.SOC.HD.BOLT
16A	D15001601A	DRIVER ASS'Y(#13+#14+#15+#16)	50	D15005001	CONTACT ARM
17	F15001701	COLLAR	51	JRP020P08	ROLLED PIN
18	C15001801	CYLINDER	52	D15005201	SUPPORT PLATE
19	ID3500W210	O-RING	53	ID0290W178	O RING
20	F15002001	BUMPER	56	E19006802	CONTACT TRIP BLOCK
21	D15002101	SET PLATE	57	H15005701	ADJ.NUT
22	F15002201	GASKET	58A	H15005801A	ADJ.BOLT
23	A15002301	BODY	59	G15005901	SPRING
24	F19003203	RUBBER GRIP	60	F19006501	TRIP GUIDE
25	JLN0500N	LOCK NUT	61A1	F19006201A1	TRIGGER ASS'Y(#61+#62+#63+#73+#77)
26	ID4735W178	O-RING	64	F19004301	PLUNGER CAP
27	A16002301	COVER	65	ID1400W178	O-RING
29	H15002901	STEPPED PIN	66	H19004102	PLUNGER
30	E15003001	PUSHER GUIDE	67	ID0350W150	O-RING
31	ID0190W190	O-RING	68	G19003901	SPRING
32	H15003201	ROLLER	69	C19003802	TRIGGER HEAD VALVE
33	JFS0405BF	FLAT.HD.BOLT	70	ID1082W178	O-RING
34	G18004401	SPIRAL SPRING	71	JRP030P30	ROLLED PIN
35	D15003501	PUSHER	72	JRP030P20	ROLLED PIN
36	JHS0522BF	HEX.SOC.HD.BOLT	75	ID0190W190	O-RING
37	JHS0410BWF	HEX.SOC.HD.BOLT	76	ID0919W262	O-RING
38	E15003801	NOSE COVER	77K	NDR15001	DRIVER ASSEMBLY (#12+#16A)