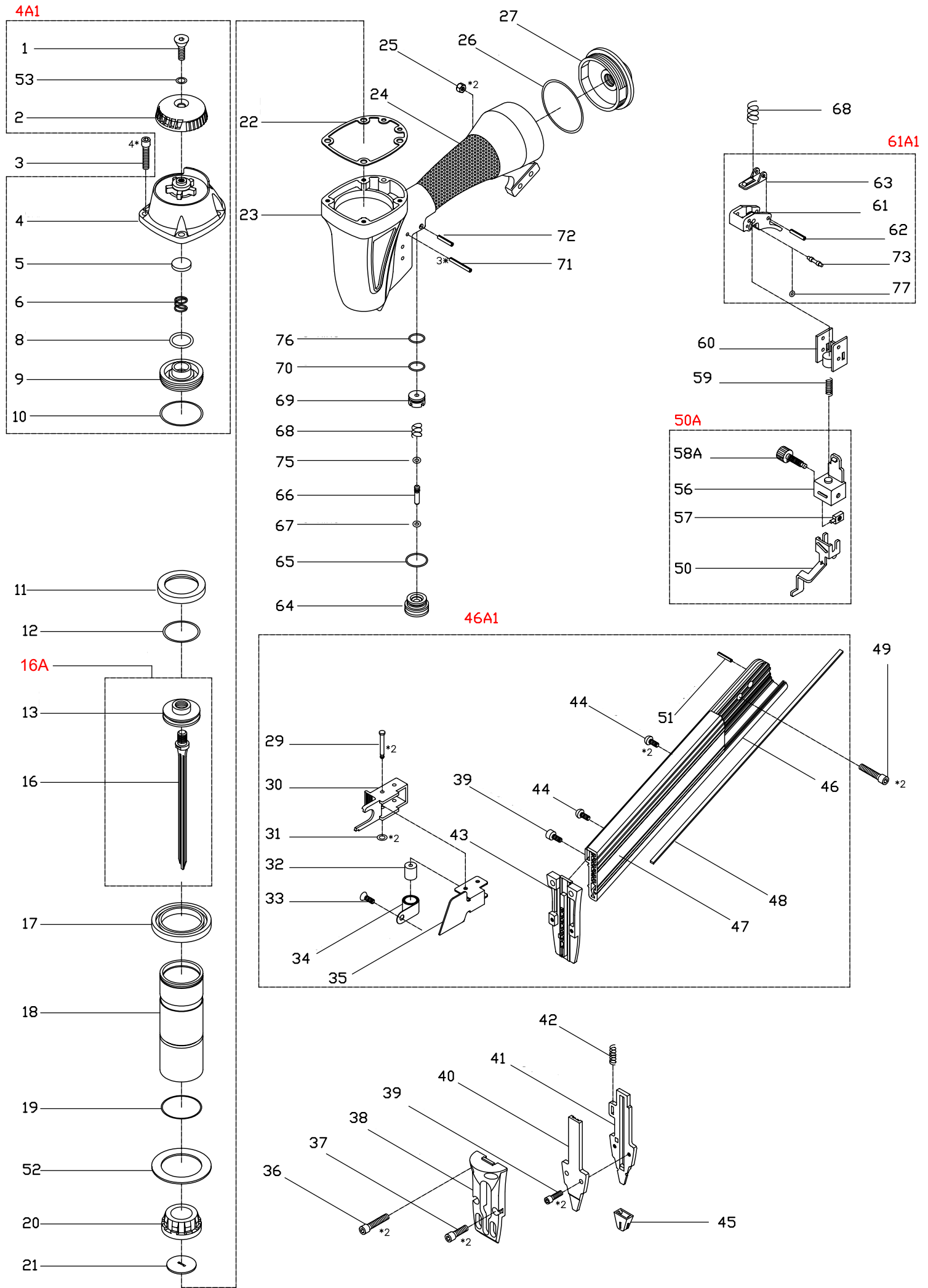


16GA ANGLE FINISHING NAILER PR-1650E



MODEL PR-1650E 16GA ANGLE FINISHING NAILER					
INDEX	PART NO	DESCRIPTION	INDEX	PART NO	DESCRIPTION
1	JFS0610BF	FLAT.HD.BOLT	39	JHS0408BW	HEX.SOC.HD.BOLT
2	F15000201	EXHAUST COVER	40	D15104001	DRIVER GUIDE PLATE
3	JHS0518BWF	HEX.SOC.HD.BOLT	41	E15004101	NOSE
4	A15000401	CAP	42	G15004201	SPRING
5	F15000501	SEAL	43	E15104301	CORE TRIP
6	G15000601	SPRING	44	JUS0408BF	UM.HD.BOLT
8	ID1690W270	O-RING	45	F15004501	RUBBER PAD
9	F15000901	PISTON HEAD VALVE	46	B15104601	MAGAZINE
10	ID3500W210	O-RING	47	B15004701	MAGAZINE COVER
4A1	A15000401A1	CAP ASM.	48	D15004801	NAIL LINER
11	F15001101	SEAL	49	JHS0512B	HEX.SOC.HD.BOLT
12	ID2657W353	O-RING	50A	D15005001A	CONTACT ARM ASM.
13	C15101301	PISTON	50	D15005001	CONTACT ARM
16	H15101602	DRIVER	51	JRP020P08	ROLLED PIN
16A	H15101602A	DRIVER ASSEMBLY	52	D15005201	SUPPORT PLATE
17	F15001701	COLLAR	53	ID0290W178	O RING
18	C15001801	CYLINDER	56	E19006802	CONTACT TRIP BLOCK
19	ID3500W210	O-RING	57	H15005701	ADJ.NUT
20	F15002001	BUMPER	58A	H15005801A	ADJ.BOLT
21	D15102101	SET PLATE	59	G15005901	SPRING
22	F15002201	GASKET	60	F19006501	TRIP GUIDE
23	A15002301	BODY	61A1	F19006201A1	TRIGGER ASSEMBLY
24	F19003203	RUBBER GRIP	62	JPR030P16	ROLLED PIN
25	JLN0500N	LOCK NUT	63	D19005901	TRIGGER PLATE
26	ID4735W178	O-RING	64	F19004301	PLUNGER CAP
27	A16002301	COVER	65	ID1400W178	O-RING
46A1	B15104601A1	MAGAZINE ASM.	66	H19004102	PLUNGER
29	H15002901	STEPPED PIN	67	ID0350W150	O-RING
30	E15003001	PUSHER GUIDE	68	G19003901	SPRING
31	ID0190W190	O-RING	69	C19003802	TRIGGER HEAD VALVE
32	H15003201	ROLLER	70	ID1082W178	O-RING
33	JFS0405BF	FLAT.HD.BOLT	71	JRP030P30	ROLLED PIN
34	G18004401	SPIRAL SPRING	72	JRP030P20	ROLLED PIN
35	D15103501	PUSHER	73	H19008201	SLIDE SHAFT
36	JHS0522BF	HEX.SOC.HD.BOLT	75	ID0190W190	O-RING
37	JHS0410BWF	HEX.SOC.HD.BOLT	76	ID0919W262	O-RING
38	E15003801	NOSE COVER	77K	NDR15101	DRIVER ASSEMBLY(#12+#16A)