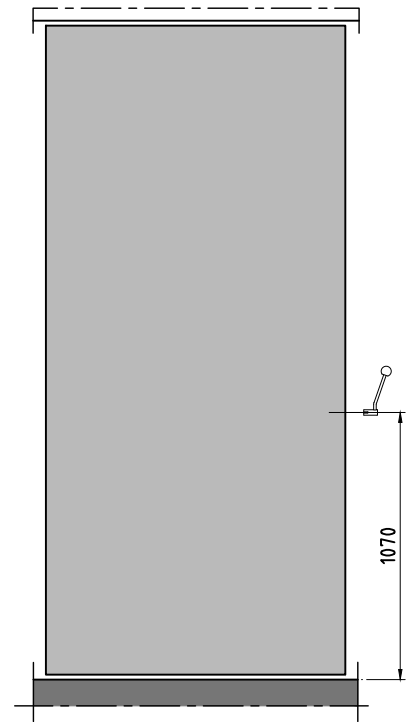
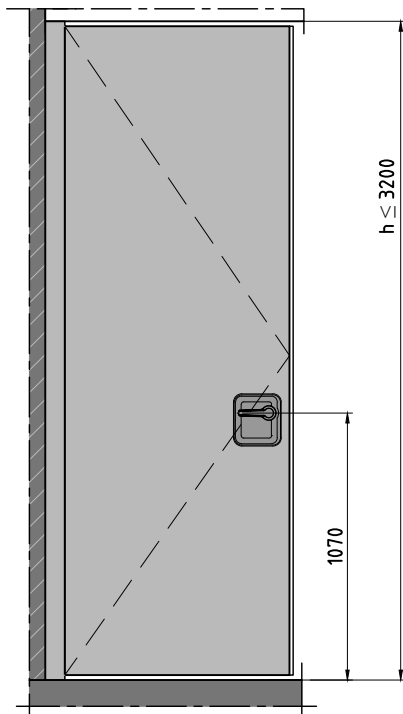


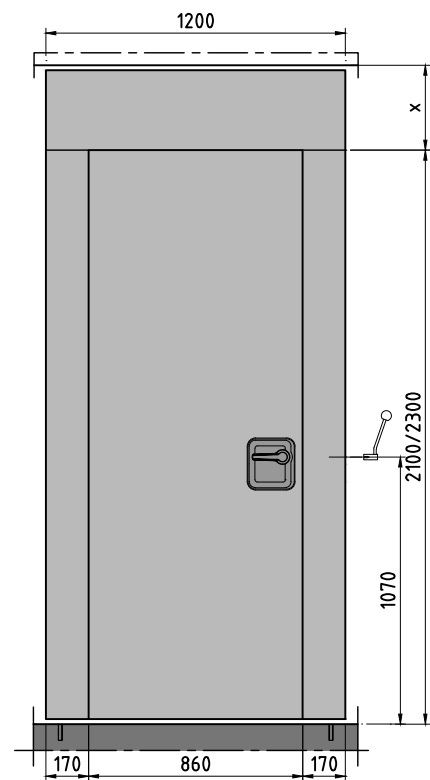
Telescopic panel



Basic panel



Communication panel



Door panel

Manuel, x = min 340mm / Semi-automatic, x = min 410mm

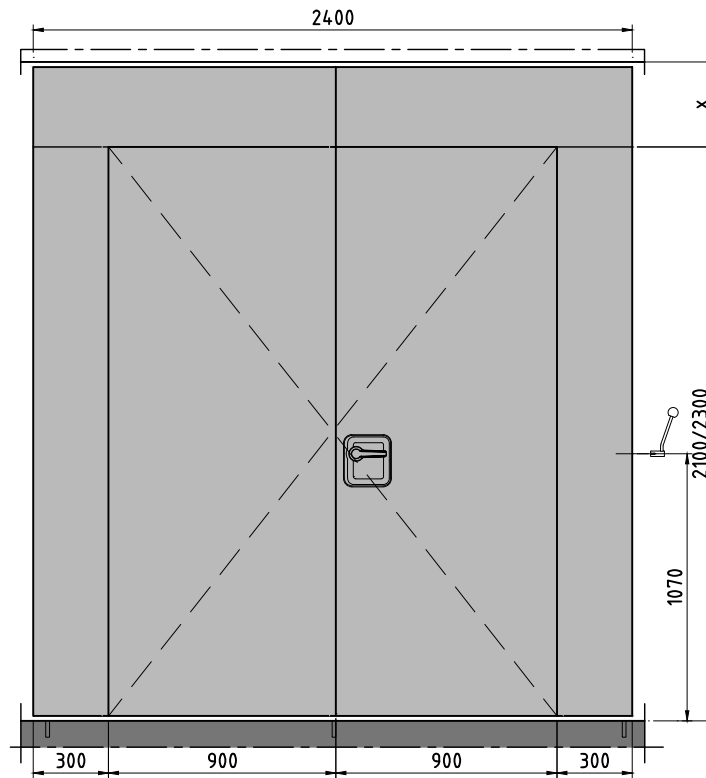
ESPERO

www.espero.eu
 info@espero.eu
 +31(0)416 338955

Type: Sonico 110

Date: 01-2020

Drawing no: S110.01



Double door panel

Manuel, x = min 340mm / Semi-automatic, x = min 410mm

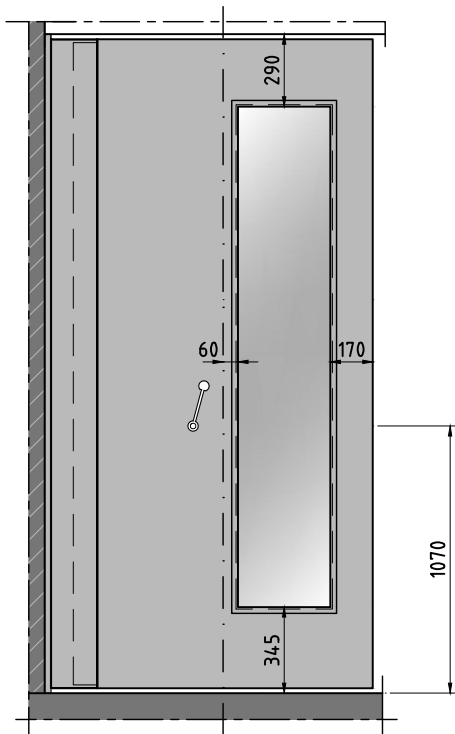
ESPERO

www.espero.eu
 info@espero.eu
 +31(0)416 338955

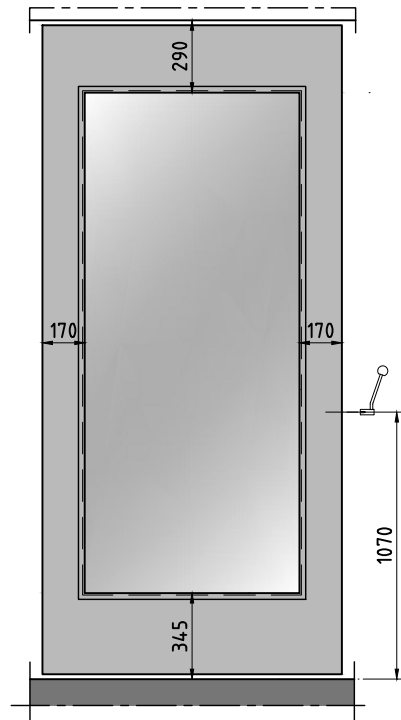
Type: Sonico I 10

Date: 01-2020

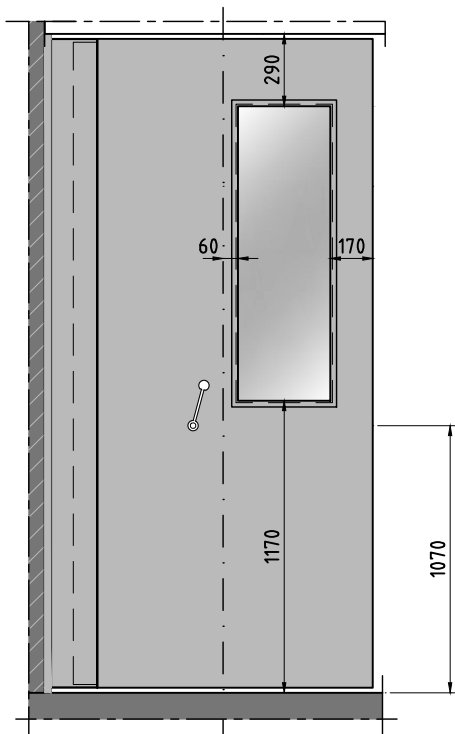
Drawing no: SI 10.02



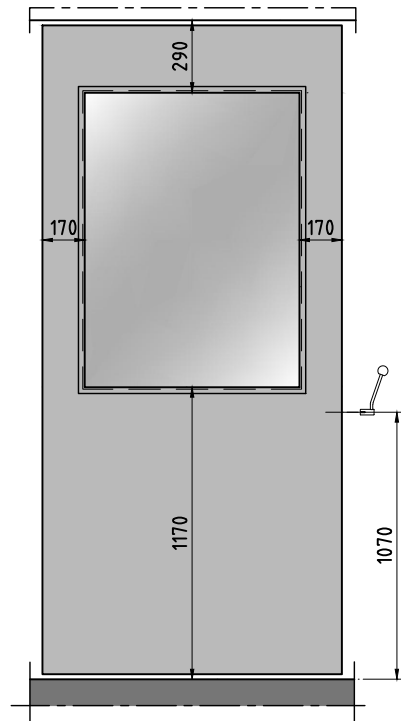
Telescopic panel - maximum glass opening



Basic panel - maximum glass opening



Telescopic panel - standard glass opening



Basic panel - standard glass opening

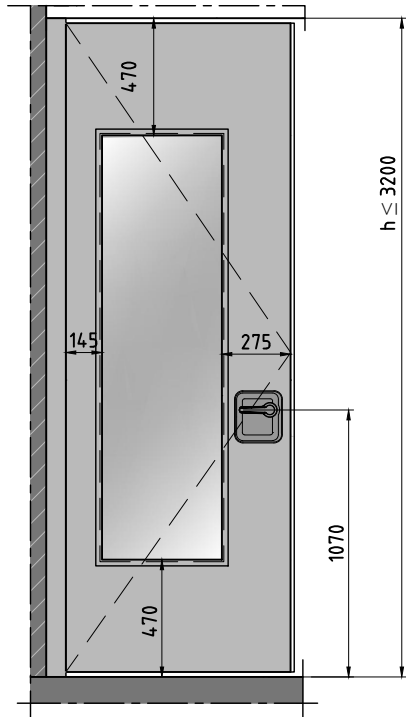
ESPERO

www.espero.eu
 info@espero.eu
 +31(0)416 338955

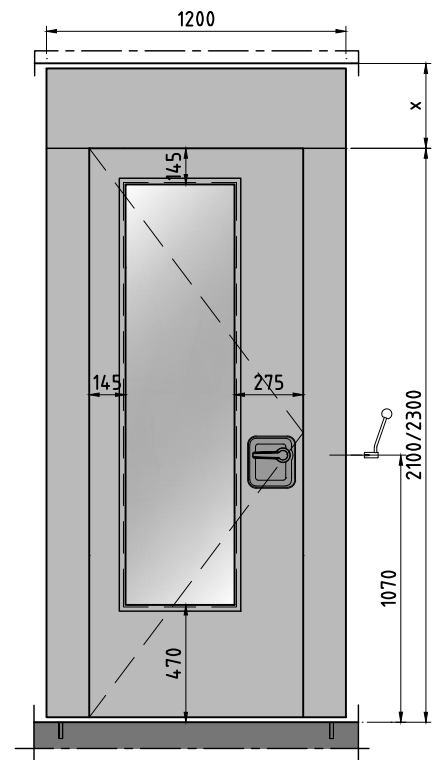
Type: Sonico 110

Date: 01-2020

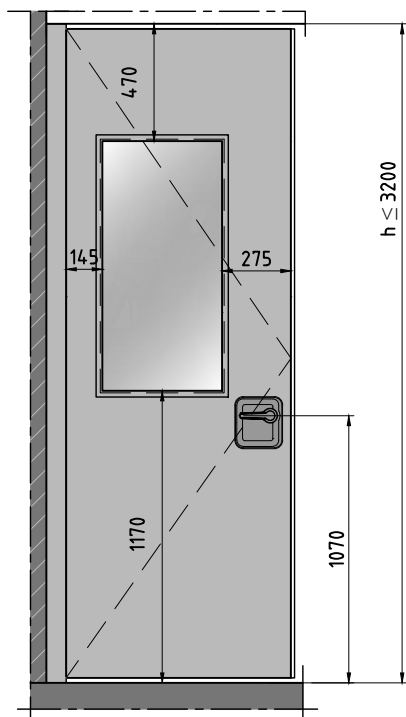
Drawing no: S110.03



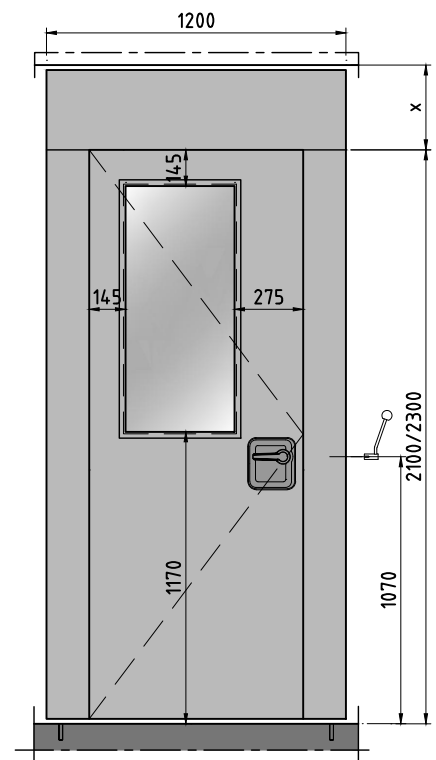
Communication panel - maximum glass opening



Door panel - maximum glass opening



Communication panel - standard glass opening



Door panel - standard glass opening

Manuel, x = min 340mm / Semi-automatic, x = min 410mm

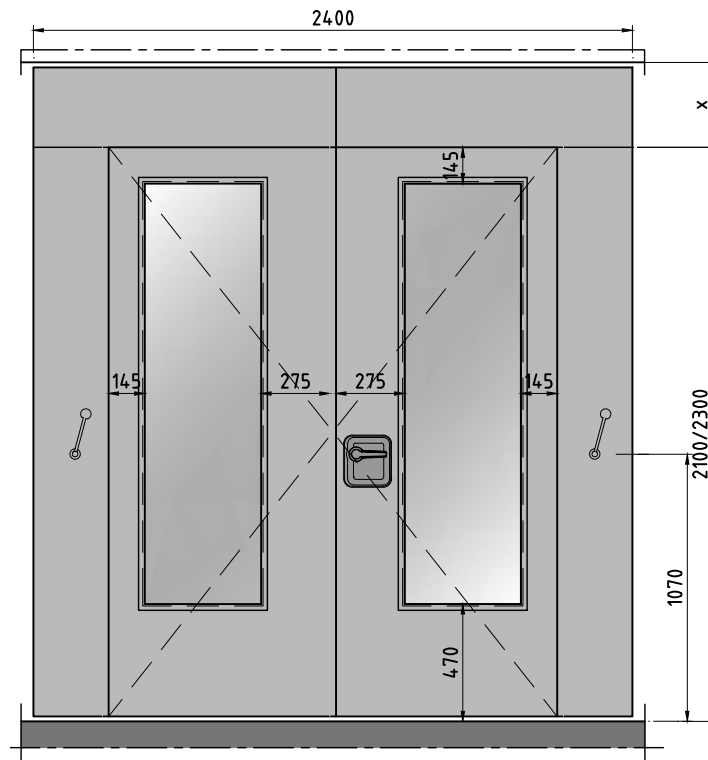
ESPERO

www.espero.eu
info@espero.eu
+31(0)416 338955

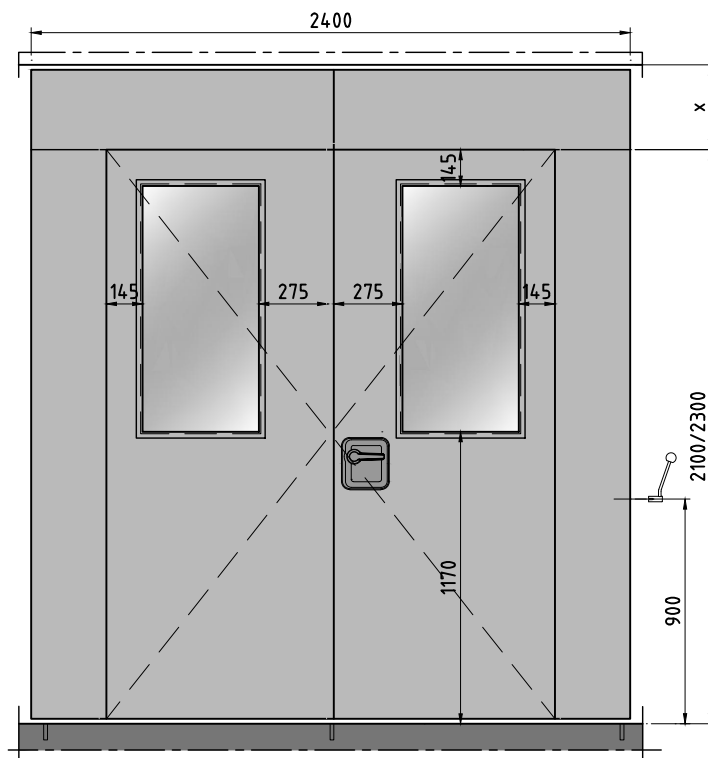
Type: Sonico 110

Date: 01-2020

Drawing no: S110.04



Double door panel - maximum glass opening



Double door panel - standard glass opening

Manuel, $x = \text{min } 340\text{mm}$ / Semi-automatic, $x = \text{min } 410\text{mm}$

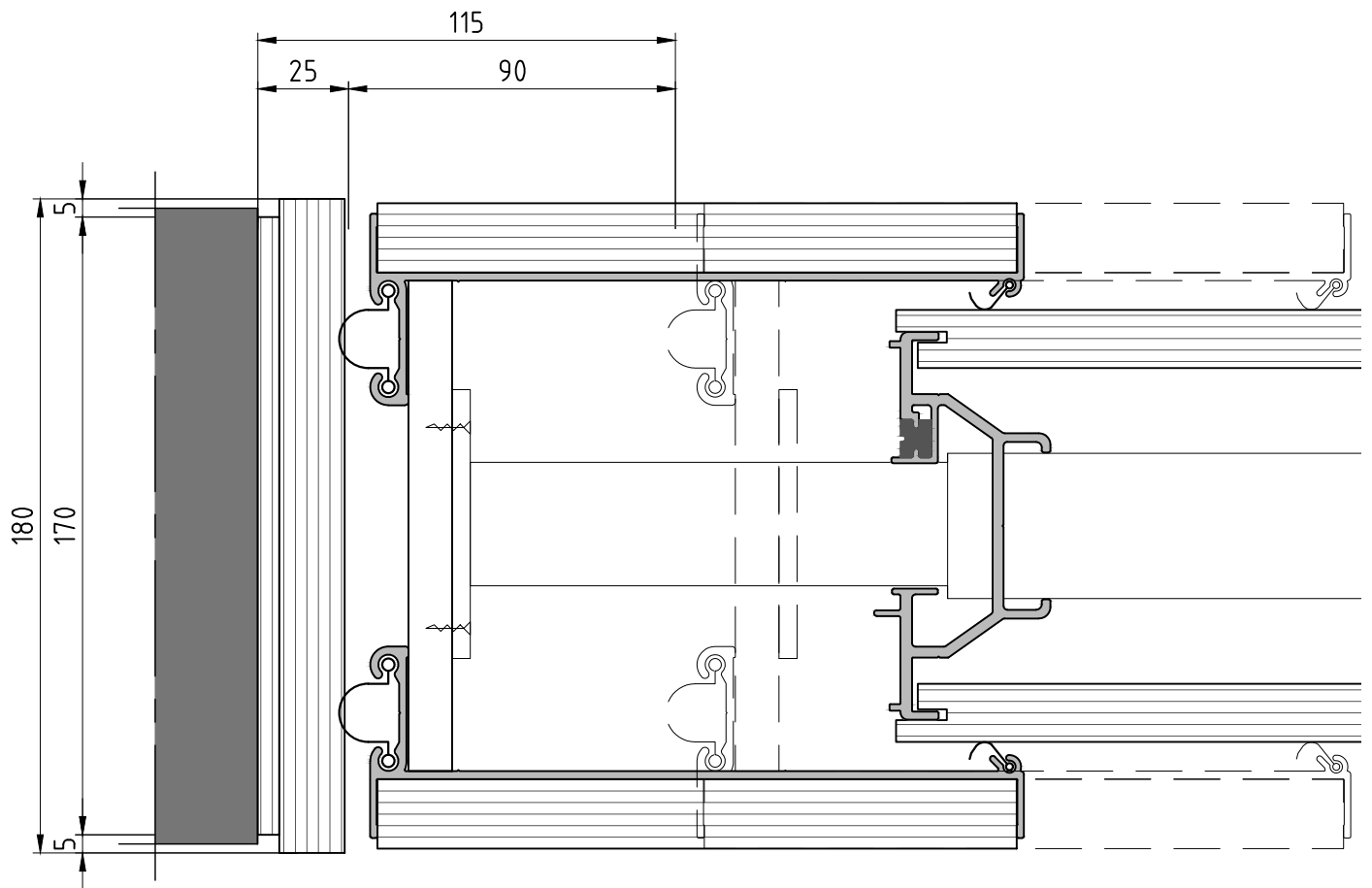
ESPERO

www.espero.eu
 info@espero.eu
 +31(0)416 338955

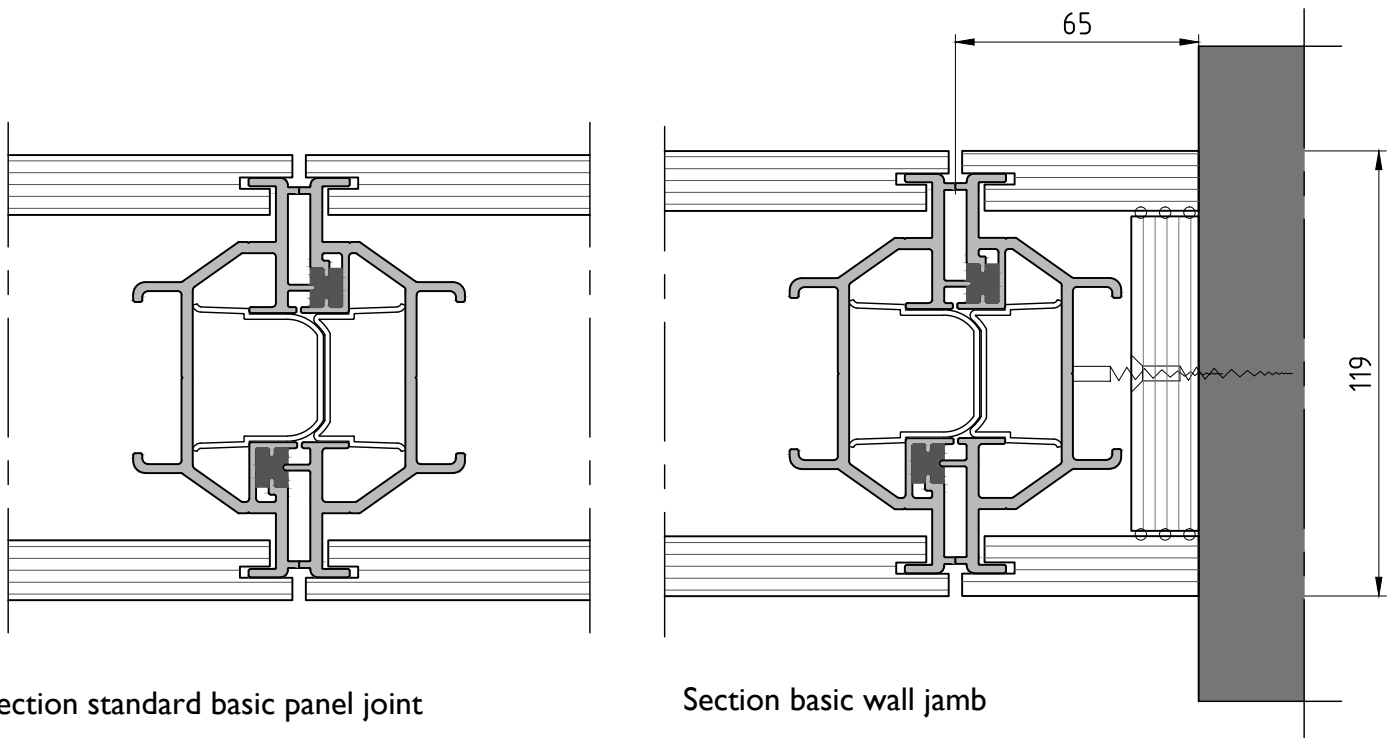
Type: Sonico 110

Date: 01-2020

Drawing no: SI10.05



Section telescopic wall jamb



Section standard basic panel joint

Section basic wall jamb

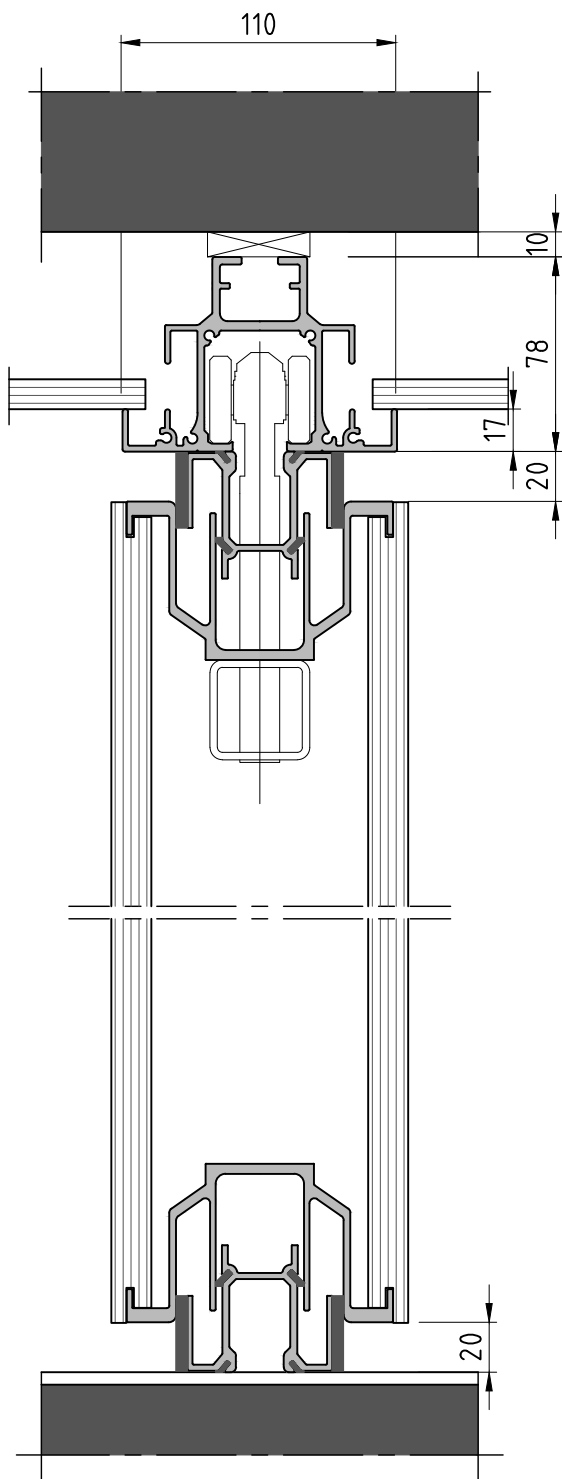
ESPERO

www.espero.eu
 info@espero.eu
 +31(0)416 338955

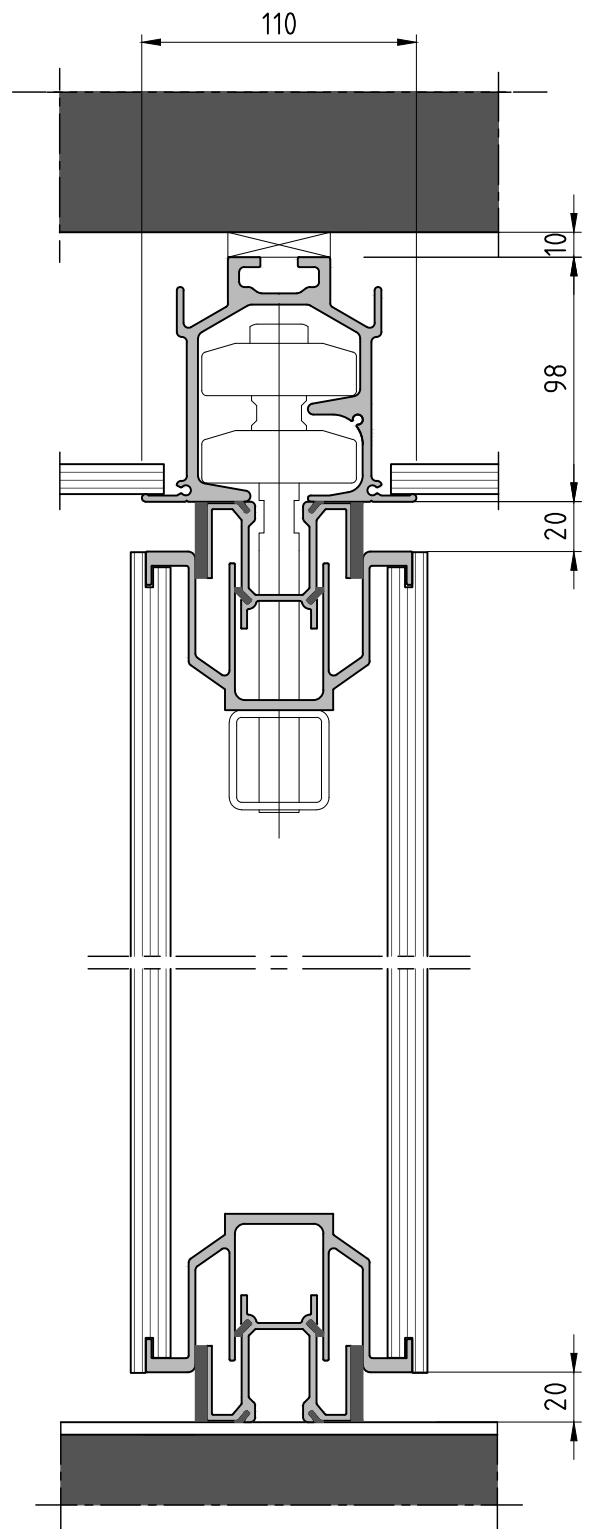
Type: Sonico 110

Date: 01-2020

Drawing no: SI10.06



1-point suspension



2-point suspension

Please note: track fixation is an example. Please see suspension details for possibilities.

ESPERO

www.espero.eu
 info@espero.eu
 +31(0)416 338955

Type: Sonico 110

Date: 01-2020

Drawing no: SI10.07