

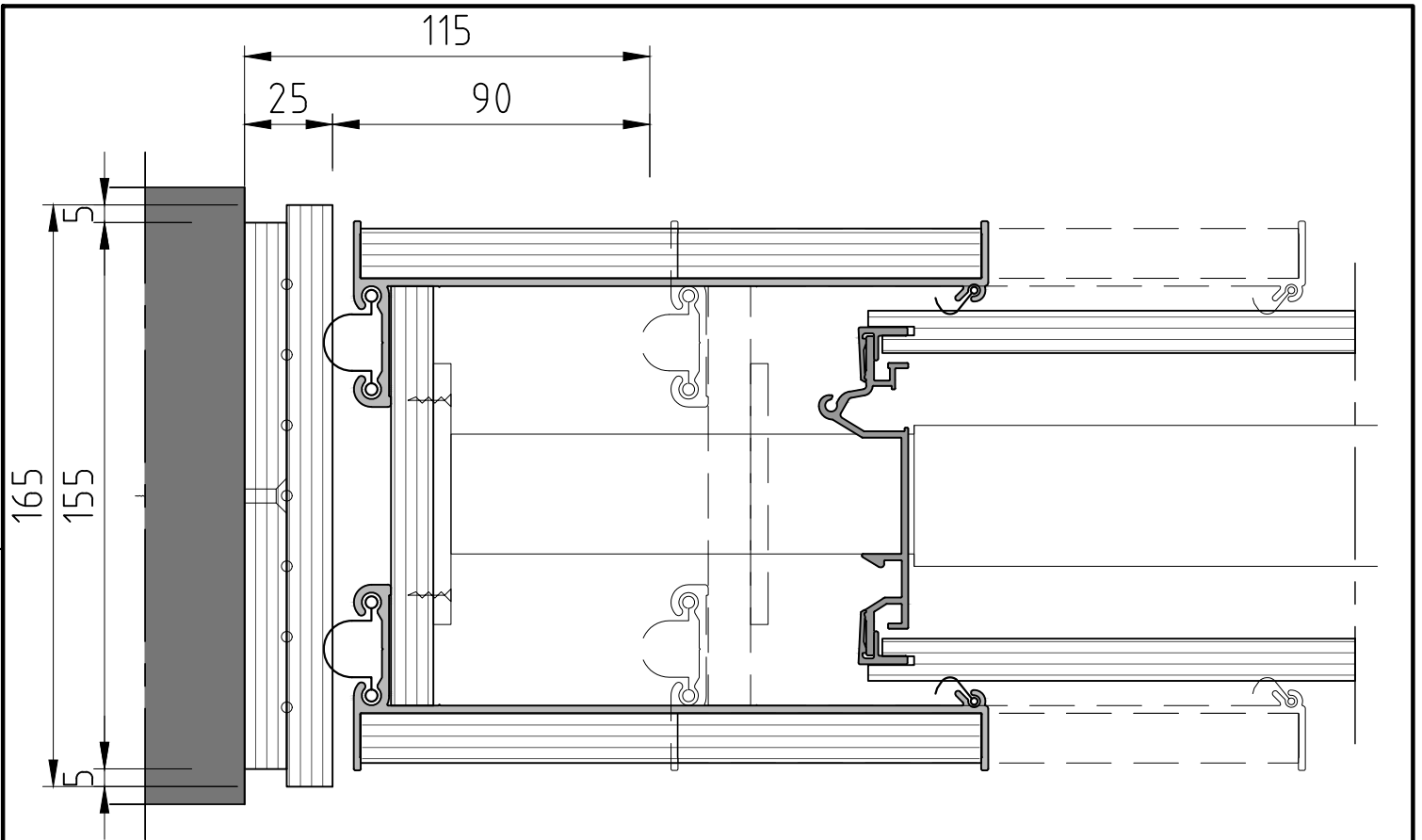
**ESPERO**

www.espero.eu  
 info@espero.eu  
 +31(0)416 338955

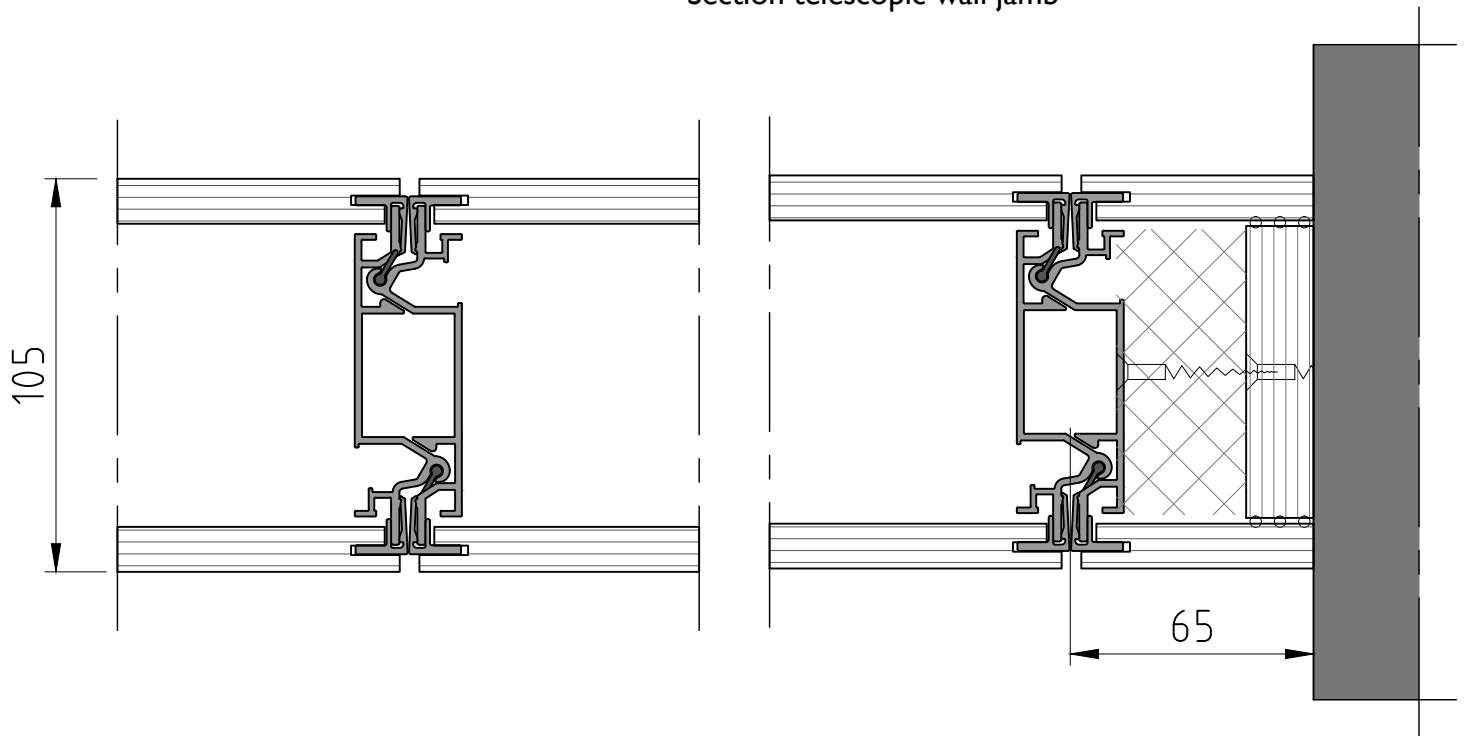
Type: Sonico 3.0 - type 100

Date: 03-2022

Drawing no: S3.01



Section telescopic wall jamb



Section standard basic panel joint

Section basic wall jamb

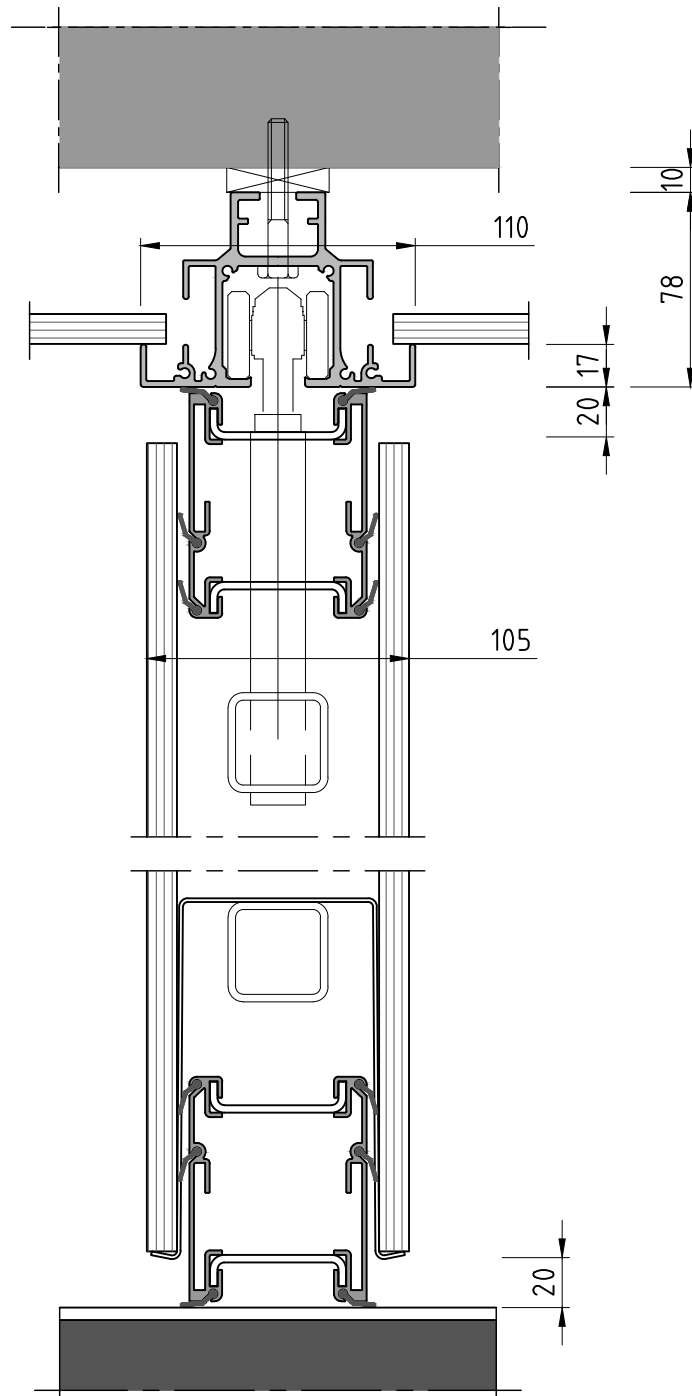
**ESPERO**

www.espero.eu  
 info@espero.eu  
 +31(0)416 338955

Type: Sonico 3.0 - type I10

Date: 03-2022

Drawing no: S3.02



I-point suspension  
S100 / S110

Please note: track fixation is an example. Please see suspension details for possibilities.

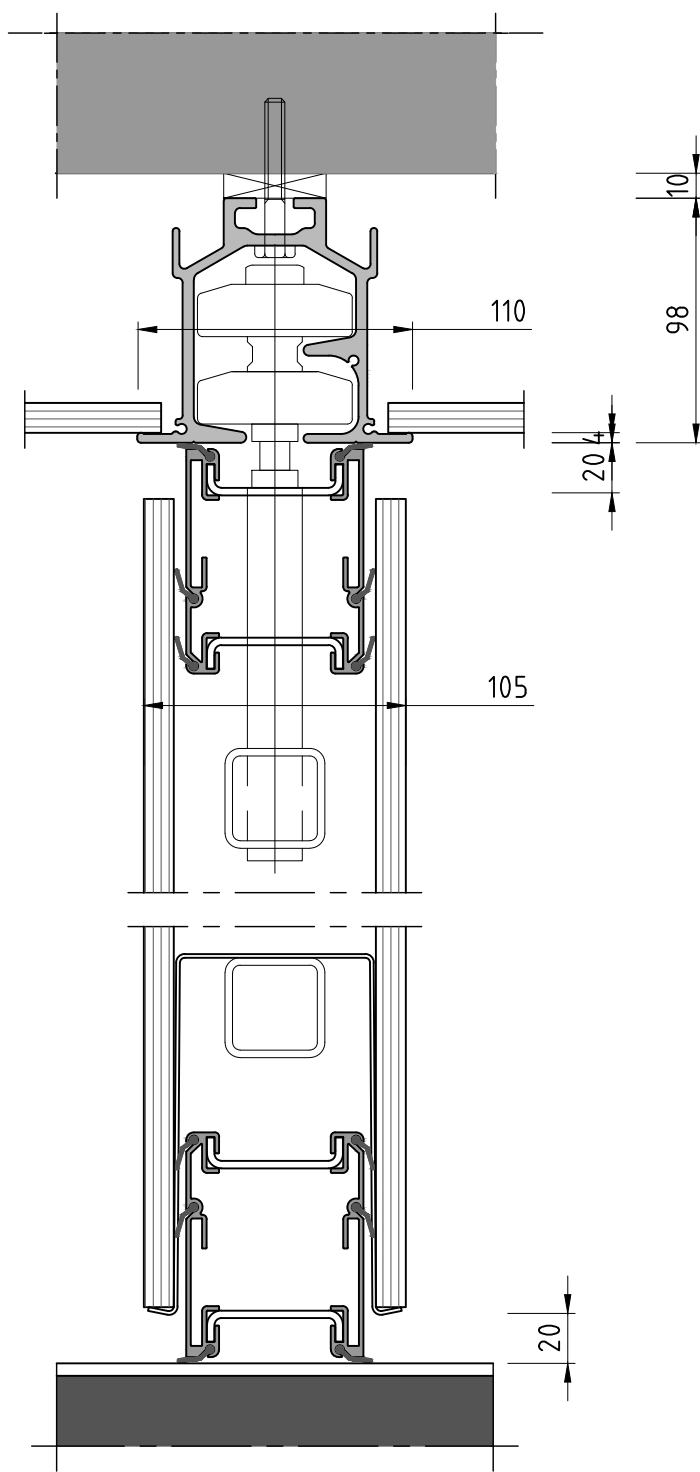
**ESPERO**

www.espero.eu  
info@espero.eu  
+31(0)416 338955

Type: Sonico 3.0

Date: 03-2022

Drawing no: S3.03



2-point suspension  
S100 / S110

Please note: track fixation is an example. Please see suspension details for possibilities.

**ESPERO**

www.espero.eu  
info@espero.eu  
+31(0)416 338955

Type: Sonico 3.0

Date: 03-2022

Drawing no: S3.04