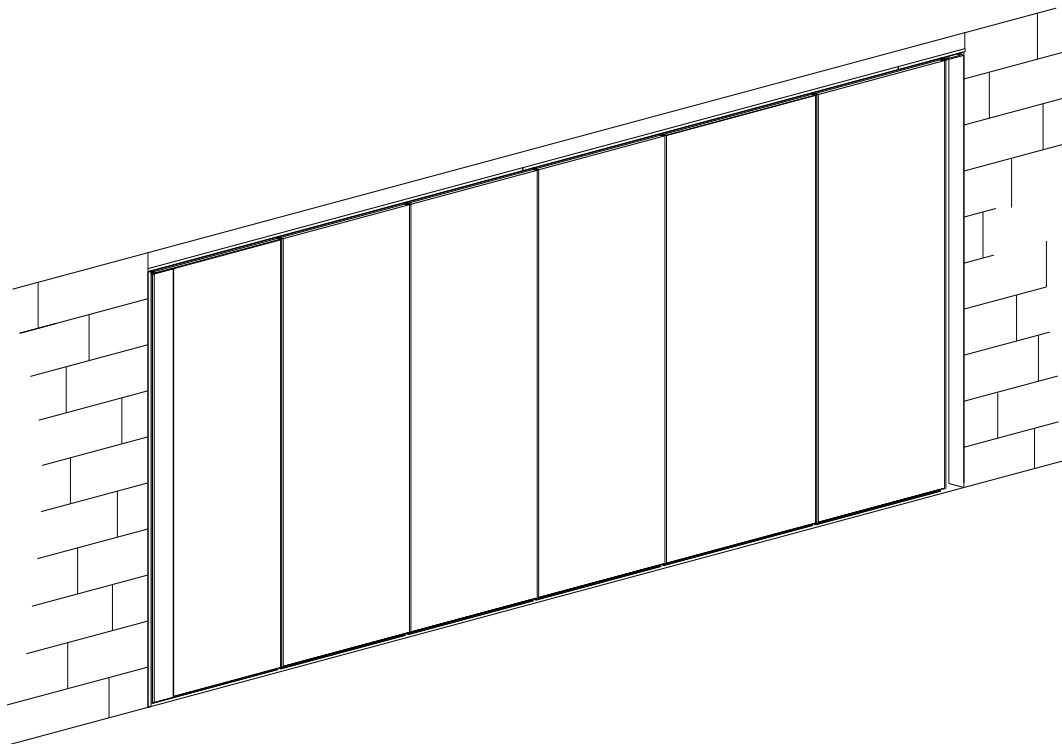


ESPERO

SONICO 3.0 MOVABLE WALL INSTALLATION MANUAL



THIS INSTALLATION MANUAL IS PART OF THE USER MANUAL. BOTH THE INSTALLATION MANUAL AND THE USER MANUAL MUST BE STORED CAREFULLY FOR FUTURE REFERENCE! For details of the warranty period and warranty conditions, please contact your supplier. Please also refer to our General Terms and Conditions of Sale and Supply, which are available on request. The manufacturer disclaims all responsibility for loss, damage or injury resulting from failure to carefully follow the instructions in this installation manual or from failure to observe normal due care in the transport, installation and use of the movable wall panels. Given our continued aim to improve our products, details of the product may differ from the description provided in this installation manual. These instructions are, therefore, provided only as a guideline for the installation of the product specified in this manual. While this manual has been put together with due care, the manufacturer does not accept any responsibility for possible errors in this manual or the consequences thereof. Furthermore, all rights are reserved and no part of this manual may be reproduced in any way.

Contents

- 1. Introduction 4
- 2. Warnings & safety measures 4
- 3. Parts overview 5
- 4. Preparing for installation 6
 - 4.1 Checking tools and accessories.....6
 - 4.2 Checking the installation location6
 - 4.3 Panel transport and handling6
- 5. Rail installation 7
 - 5.1 Fixing point version (both 1-point and 2-point).....7
 - 5.2 1-point rail installation8
 - 5.3 2-point rail installation9
 - 5.4 Rail adjustment with direct rail installation10
- 6. Hanging the panels 11
 - 6.1 Hanging panels in a 1-point rail.....11
 - 6.2 Hanging panels in a 2-point rail.....11
- 7. Installing the telescopic wall connections 12
- 8. Installing the basic wall connections 13
 - 8.1 Magnet installation on basic wall connection13
 - 8.2 Basic wall connection installation.....13
- 9. Adjusting the panels..... 16
 - 9.1 Height adjustment16
 - 9.2 Adjustment of the telescopic part17
- 10. Finish 18
 - 10.1 Removing the finish.....18
 - 10.2 Placing the finish19

1. Introduction

This installation manual provides installation instructions for manually operated and semi-automatic Espero movable walls (Sonico 100/110).

PLEASE NOTE: important instruction for safe installation: follow all installation instructions in this manual closely. Incorrect installation may lead to unsafe situations.

A movable wall can be installed as a 1-point or 2-point top-hung system and is made up of a rail, wall connection profiles, basic panels and a telescopic panel. The wall may also include door panels or a connection using a communication panel.

Prior to installing and using the movable wall, please carefully read this manual to familiarise yourself with its installation, workings and features.

2. Warnings & safety measures

When installing the movable walls, always follow the instructions and guidelines from this manual meticulously. Do not change the order of the actions to perform. If there is anything in this manual that is not clear to you, please contact Espero.

ESPERO BV
Sluisweg 26-28
5145 PE Waalwijk
the Netherlands
Tel: +31 (0)416 338955
Fax: +31 (0)416 332635
E: info@espero.nl

Subject to engineering modifications, without prior notice.

All dimensions are shown in millimetres, unless specified otherwise.

Please keep this manual in a safe place for future reference.

As standard, movable walls must be installed by qualified engineers (at least 2 competent persons).

Adding or eliminating parts may adversely affect the proper functioning and safe use of the wall panels, and is, consequently, strongly advised against!

All indications with respect to installation of the wall on the right or left are as seen from the installation location, i.e. looking from the inside out. Cordon off the location where the wall will be installed using safety ribbon to keep any third parties at a distance. Make sure there is sufficient light.

The semi-automatic wall is not suitable for use in areas with a gas explosion hazard. Prior to making electric connections, make sure the power is turned off.

A mains connection is needed for the power supply to the wall. There needs to be a 230V wall socket within 1.5 metres from the wall jamb. In the event that the power cord is damaged, it must be replaced by the supplier's service department or similar qualified staff.

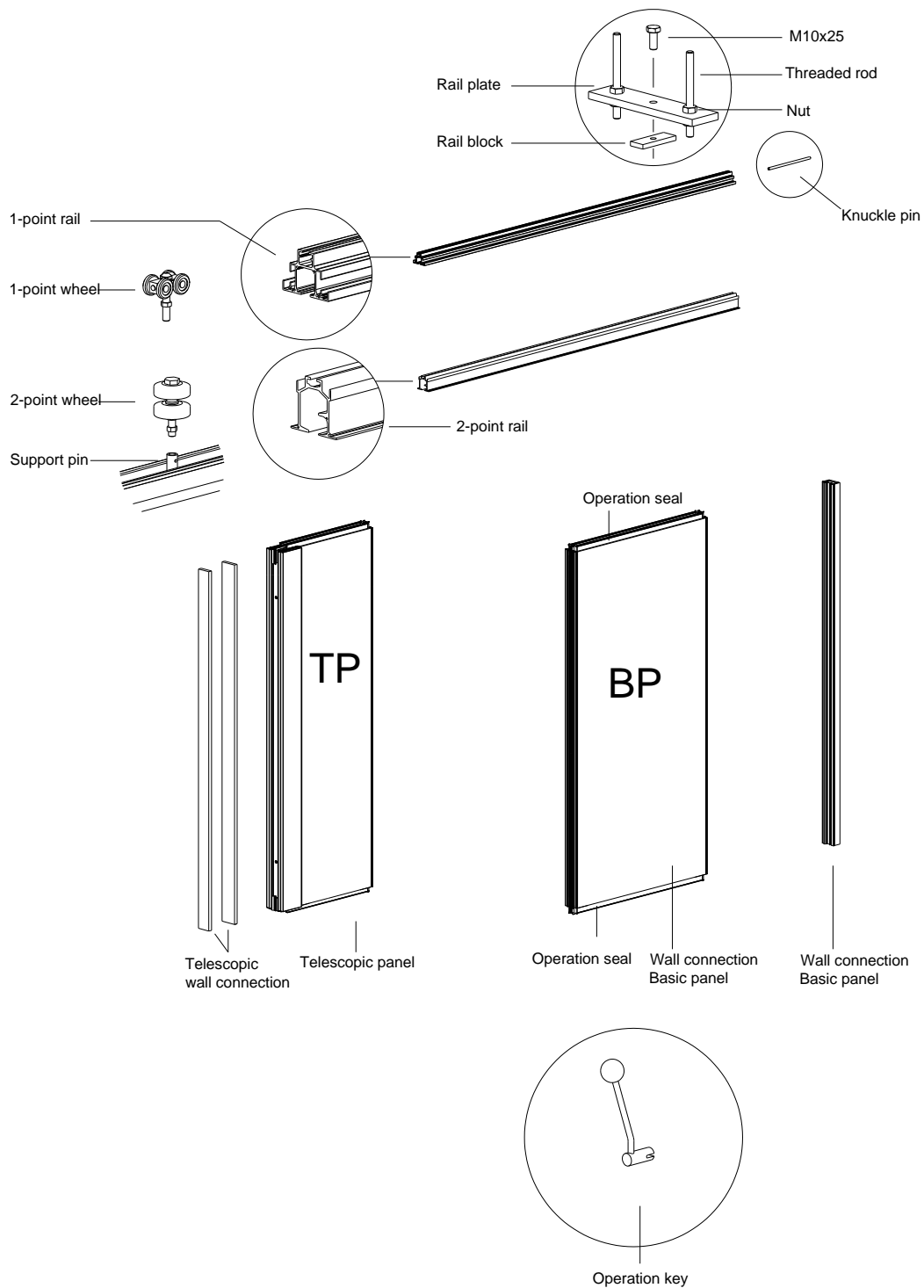
The wall will consume roughly 1W per panel, provided that the power supply is not turned off.

Be careful when aligning the panels to avoid fingers or hands getting jammed between panels. Always move the panels carefully.

When locking the operation seals, make sure no one can get their fingers, hands or feet jammed between the seals. Please note: make sure the panels NEVER bang against each other. This would lead to damage to the profiles that is costly to repair. Please note: position the separate panels as per the positions designated in the drawing included with the wall.

The manufacturer disclaims all responsibility for loss, damage or injury resulting from failure to (strictly) follow the safety instructions specified in this manual, or resulting from negligence while installing the product described in this document and any accessories.

3. Parts overview



4. Preparing for installation

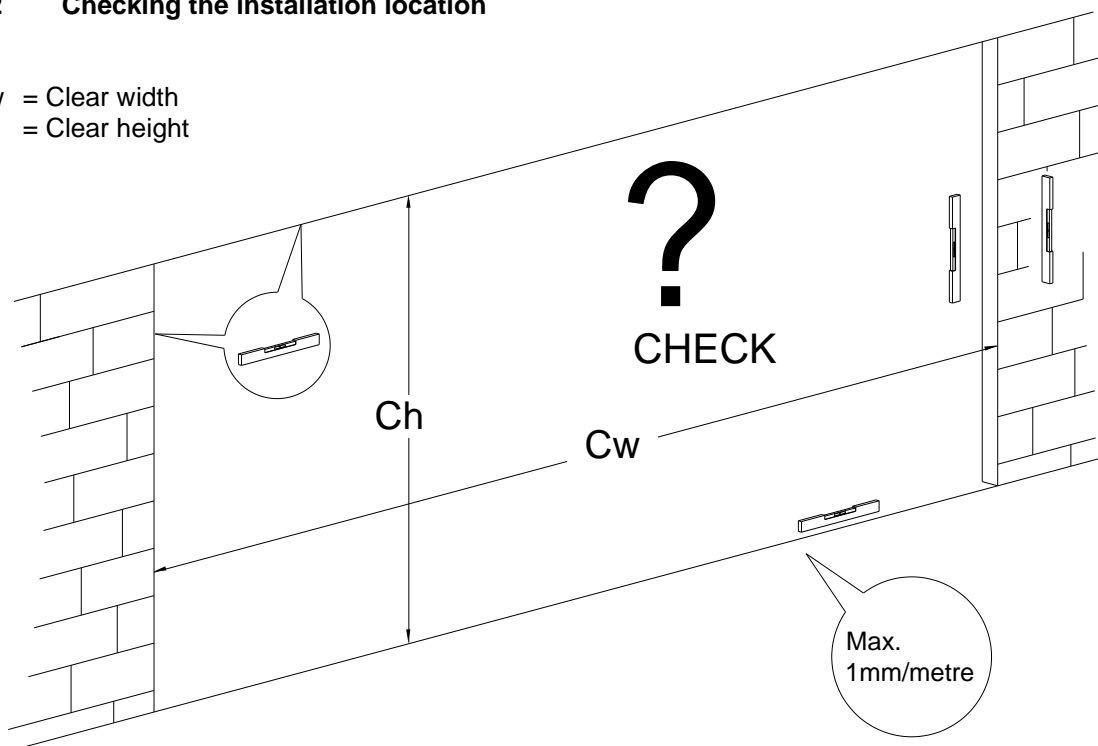
4.1 Checking tools and accessories

Please find below a list of the tools and equipment you are going to need:

- Crane, aerial work platform (hoists), stable & safe ladder, step ladders
- Measuring tape, chalk line
- Spirit level
- Flexible screwdriver, screwdriver, battery-powered screwdriver
- Spanner, socket spanners, box spanner
- Hammer drill, drill, battery-powered drill
- Metal saw, saw bench, jigsaw
- Line laser
- Caulking gun, caulk, sealant

4.2 Checking the installation location

Cw = Clear width
Ch = Clear height



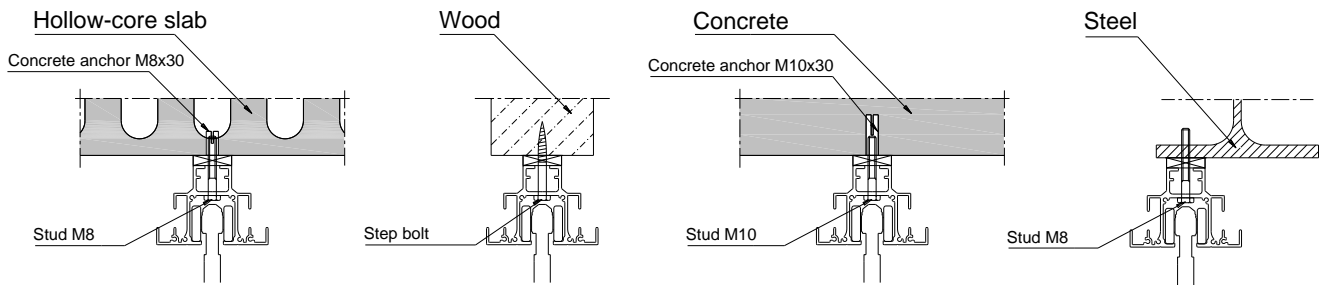
4.3 Panel transport and handling

Moving and erecting the panels is at least a 2-person job. Panels could, for example, be moved on a wheel trolley, preferably in a horizontal position, upright on one of lengths. Tilt the panel on its longitudinal axis and put it upright at the same time (push and straighten).

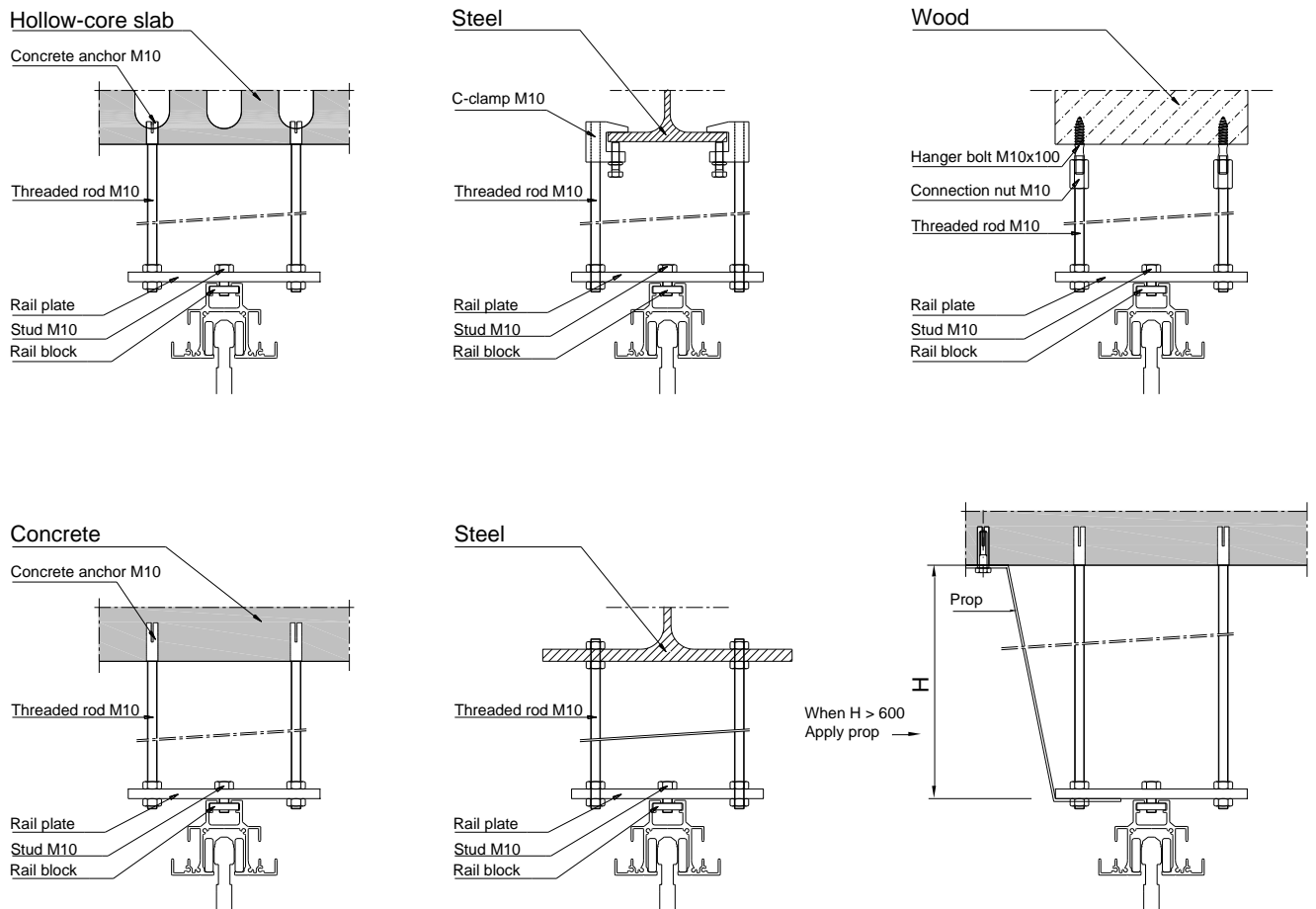
5. Rail installation

5.1 Fixing point version (both 1-point and 2-point).

Direct installation:



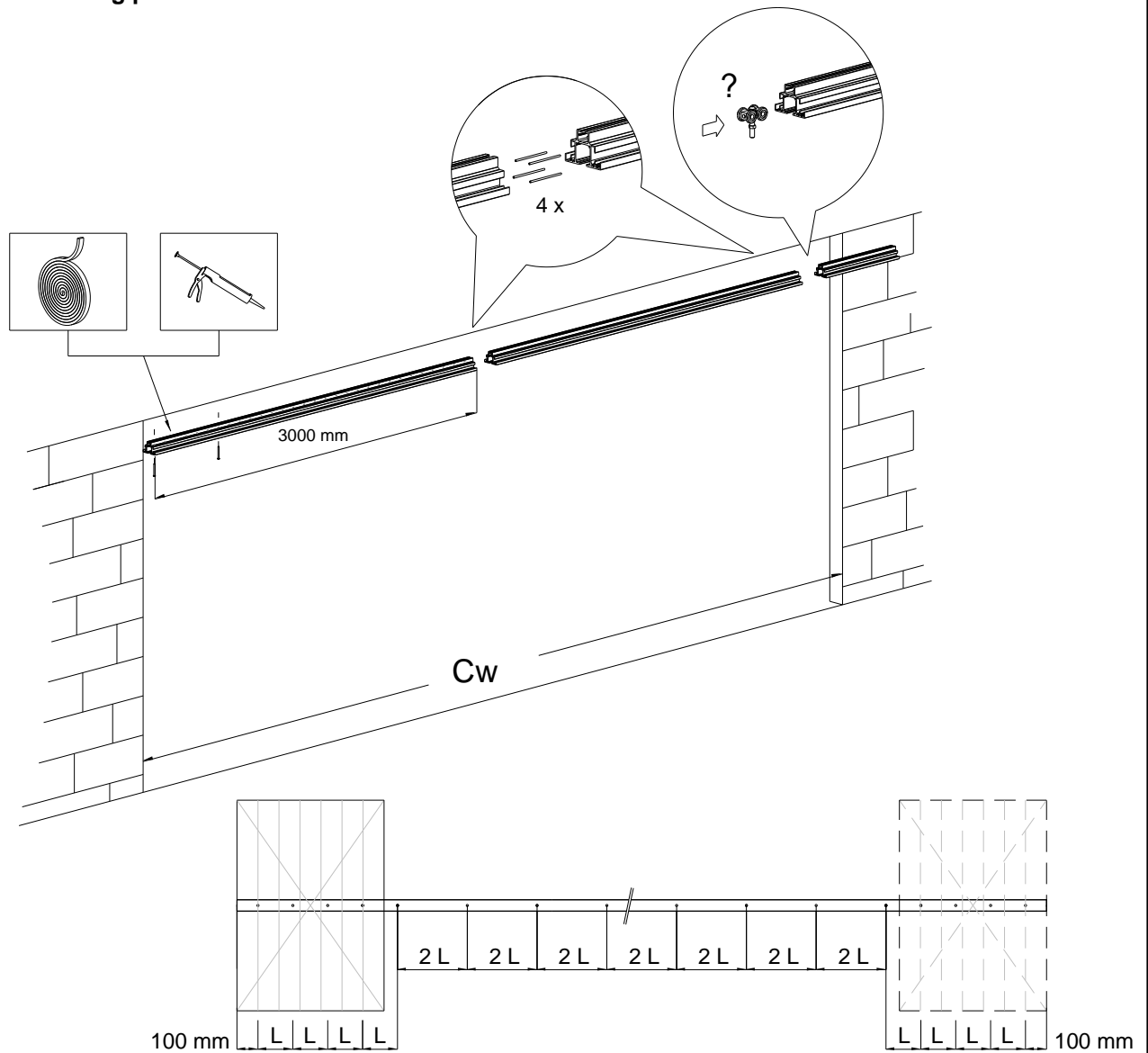
Hung structure with threaded rods:



5.2 1-point rail installation

Determine the number/maximum distance between fixing points for the rail.

Please note: in case of a fixed ceiling, place the wheels in the rail first.



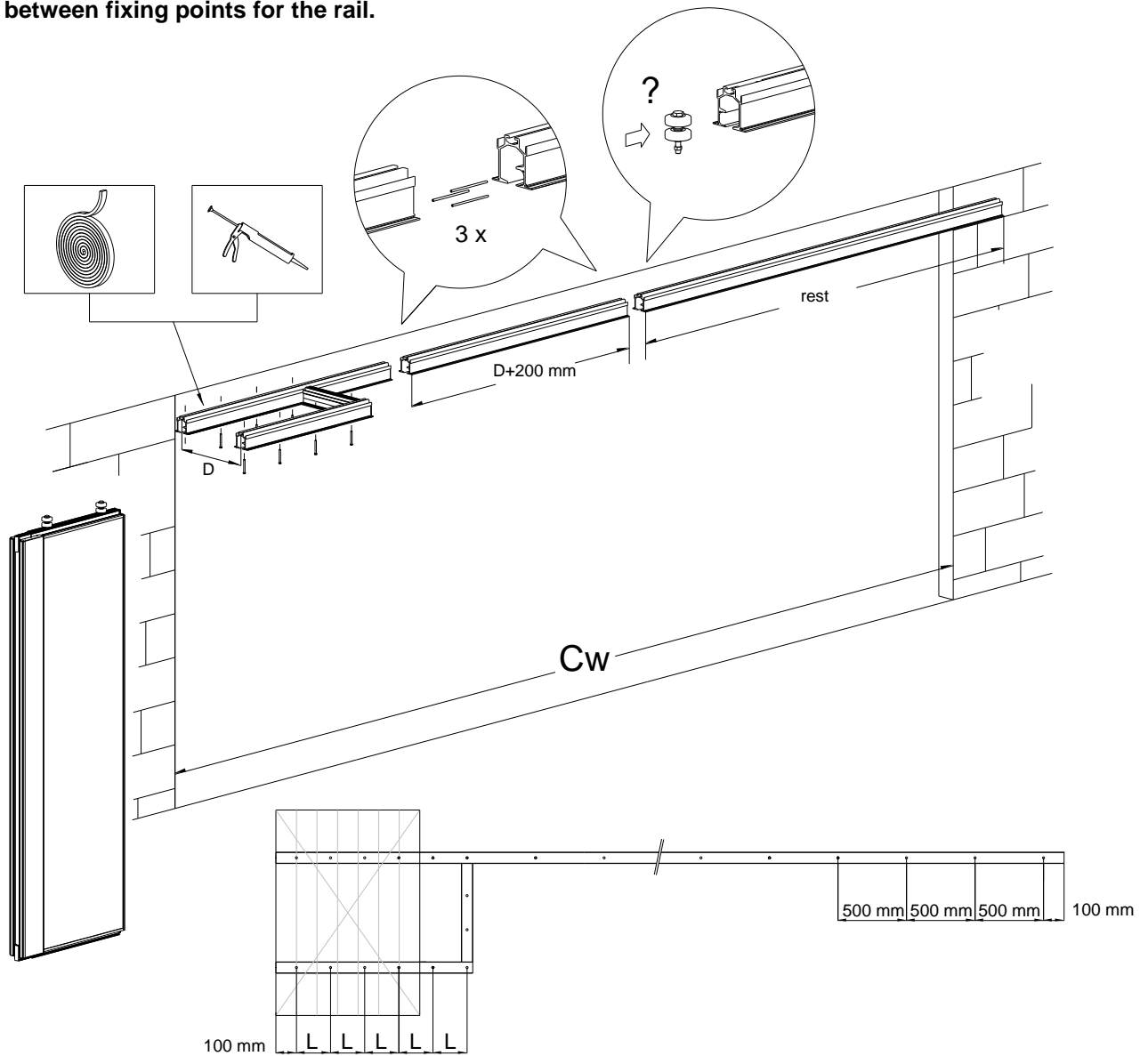
Wall weight per m: [kg]	1-point Store Direct installation				1-point Store Top-hung	
	Concrete		Steel		Number /m	Max L [mm]
	Number /m	Max L [mm]	Number /m	Max L [mm]		
75	4	250	2	500	2	500
100	5	200	2	500	3	333
125	7	143	3	333	4	250
150	8	125	4	250	5	200
175	6 ¹⁾	167	4	250	5	200
200	7 ¹⁾	143	5	200	6	167
225	8 ¹⁾	125	5	200	7	143
250	9 ¹⁾	111	6	167	8	125

1) Please note: use only concrete anchor M8x40 for this wall weight and direct installation in concrete.

5.3 2-point rail installation

Determine the number/maximum distance between fixing points for the rail.

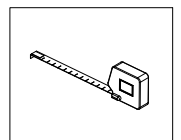
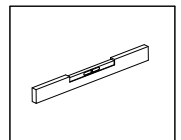
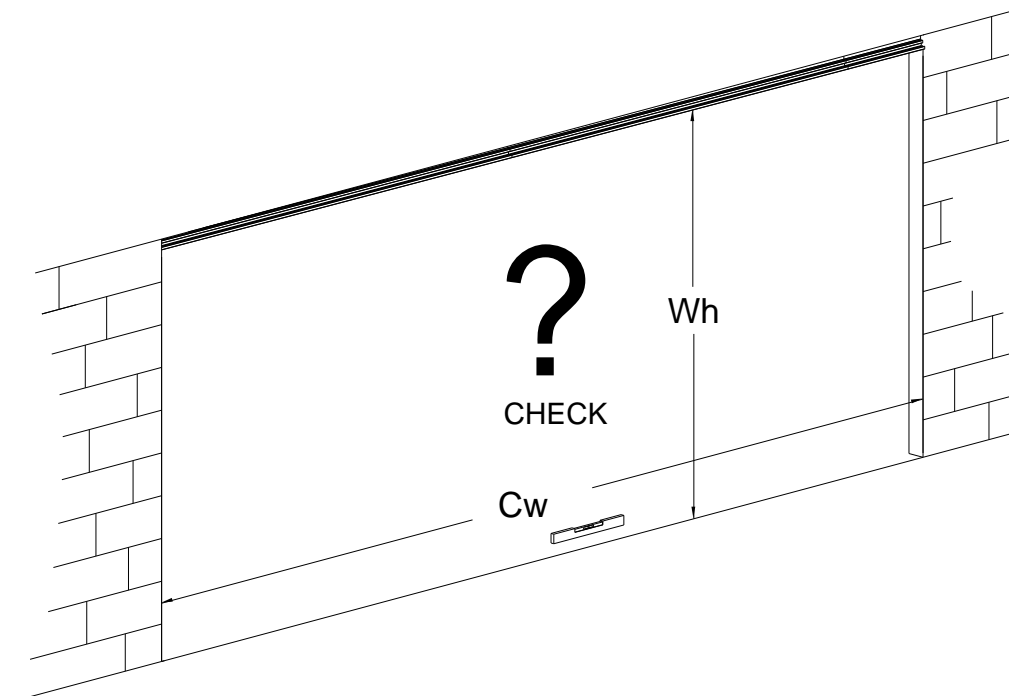
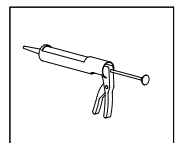
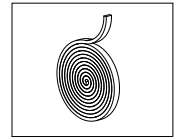
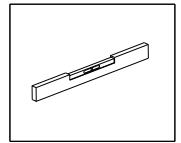
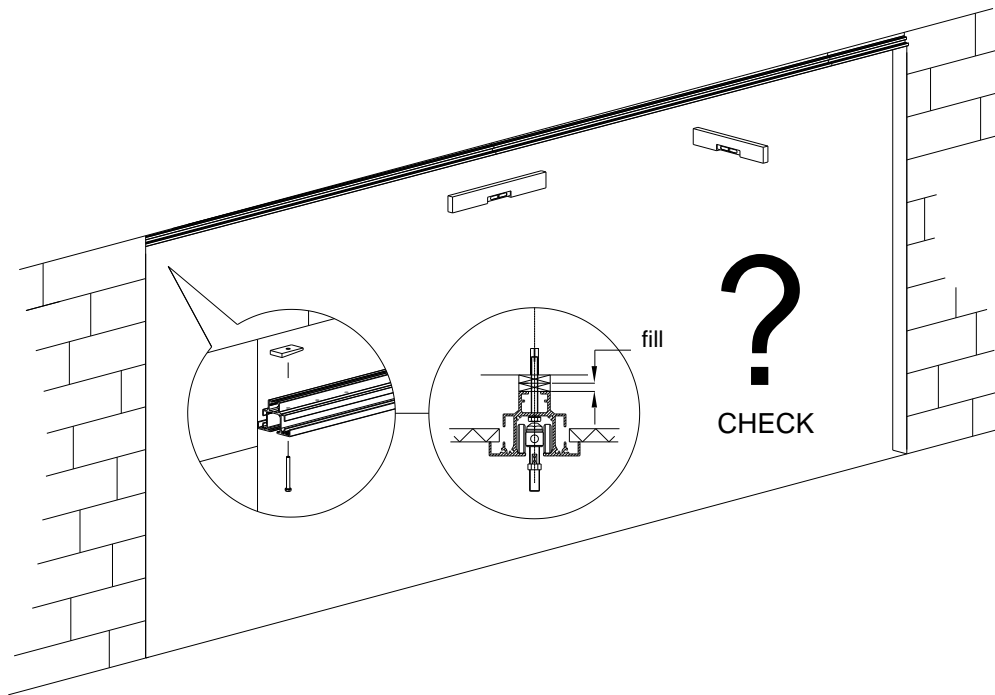
Please note: in case of a fixed ceiling, place the wheels in the rail first.



Wall weight per m: [kg]	2-point Store Direct installation				2-point Store Top-hung	
	Concrete		Steel		Number /m	Max L [mm]
	Number /m	Max L [mm]	Number /m	Max L [mm]		
100	3	333	2	500	2	500
150	4	250	2	500	2	500
200	5	200	2	500	3	333
250	7	143	3	333	4	250
300	8	125	4	250	5	200
350	6 ¹⁾	167	4	250	5	200
400	7 ¹⁾	143	5	200	6	167

1) Please note: use only concrete anchor M8x40 for this wall weight and direct installation in concrete.

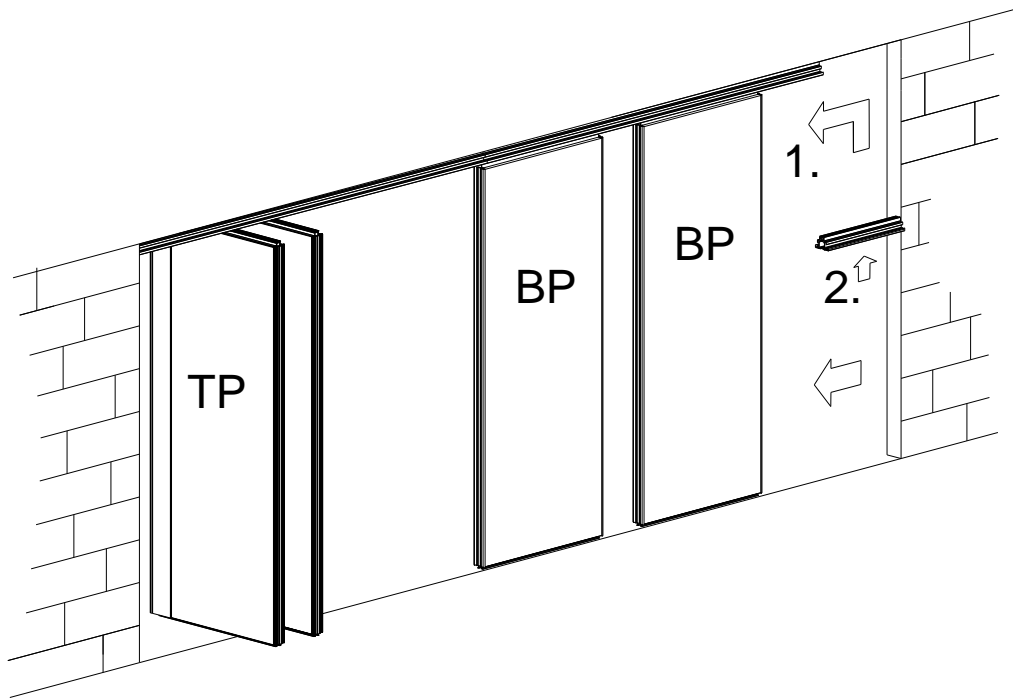
5.4 Rail adjustment with direct rail installation



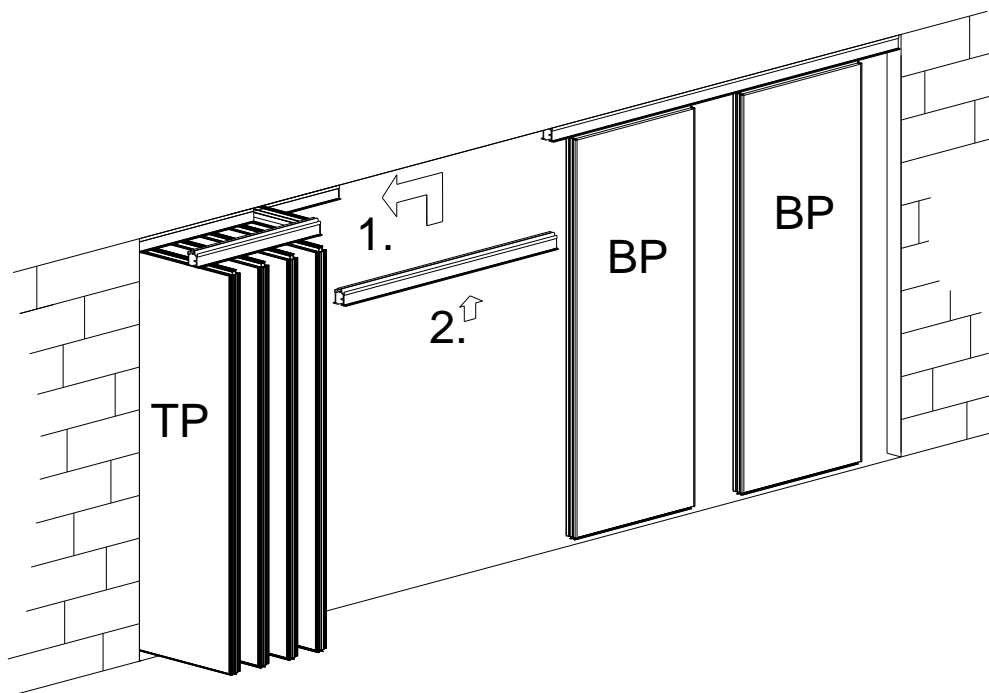
6. Hanging the panels

6.1 Hanging panels in a 1-point rail

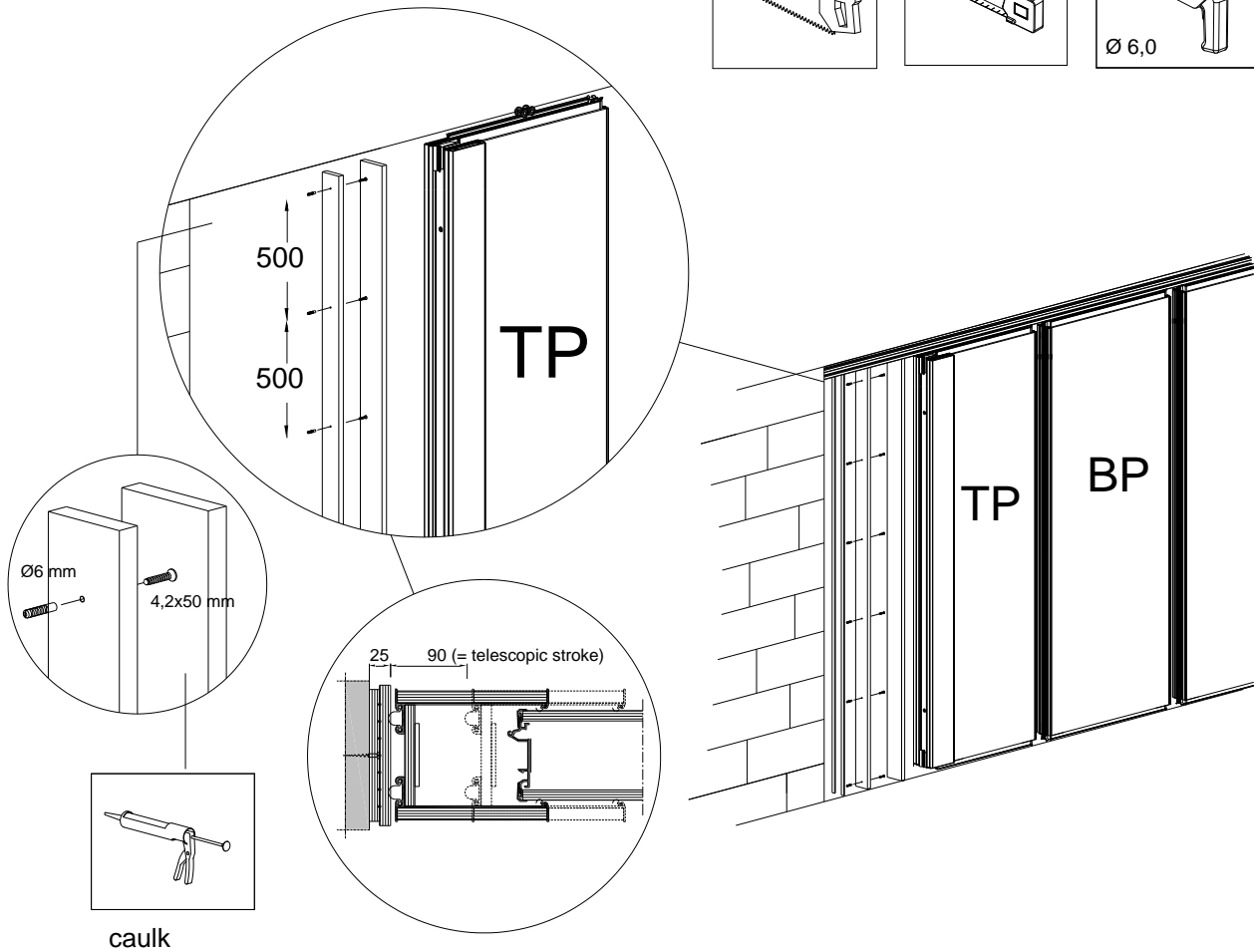
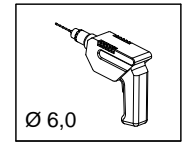
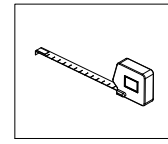
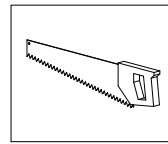
PLEASE NOTE: only remove packaging material + bottom corner protectors when you are going to adjust the panels.



6.2 Hanging panels in a 2-point rail

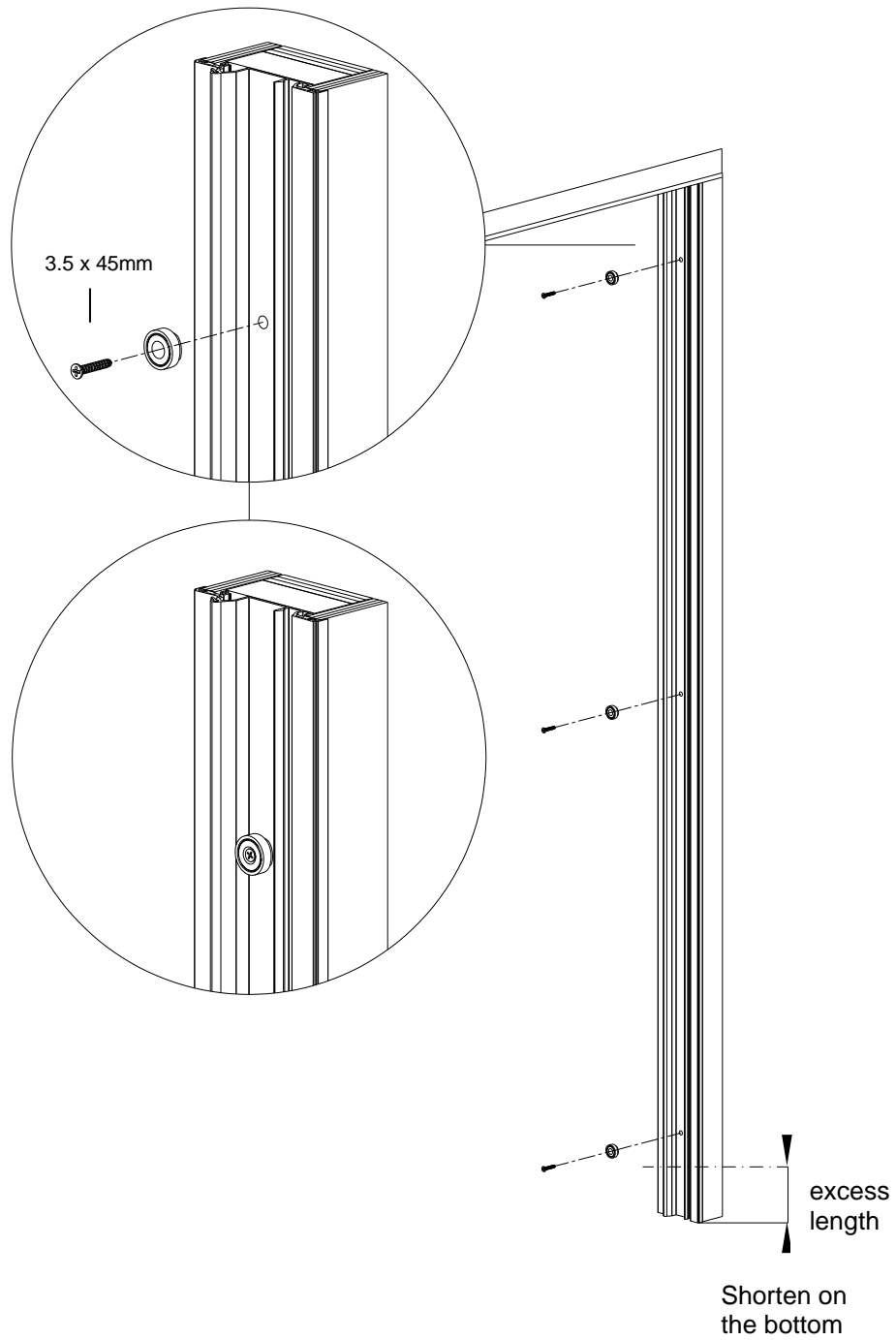
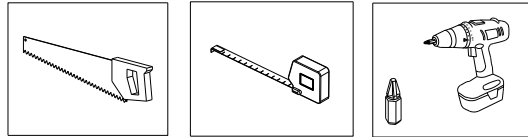


7. Installing the telescopic wall connections

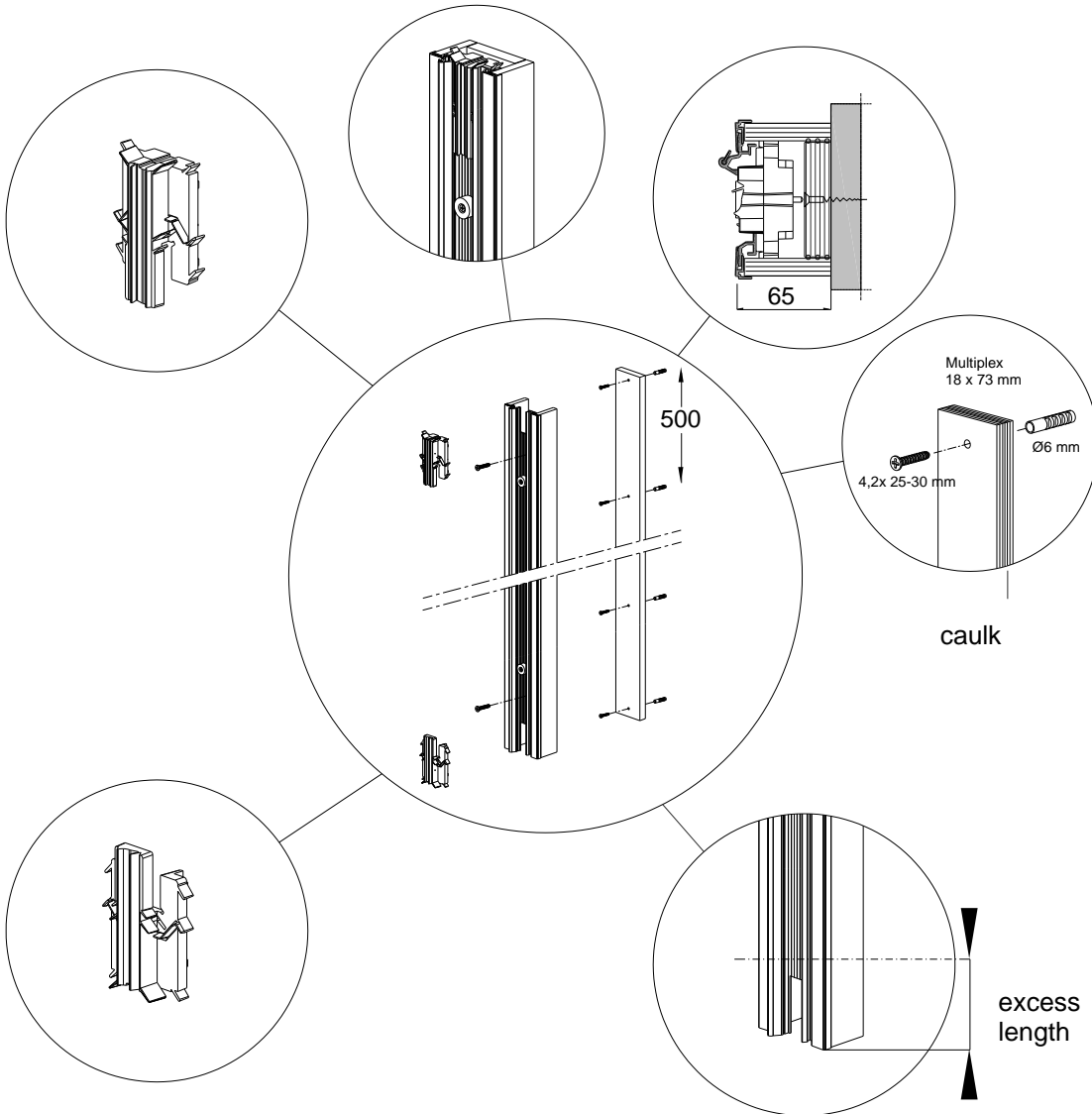
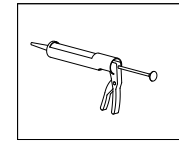
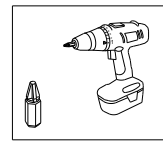
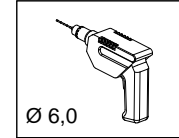
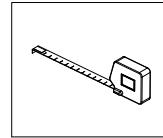
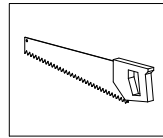


8. Installing the basic wall connections

8.1 Magnet installation on basic wall connection



Basic wall jamb ≥ 52 dB

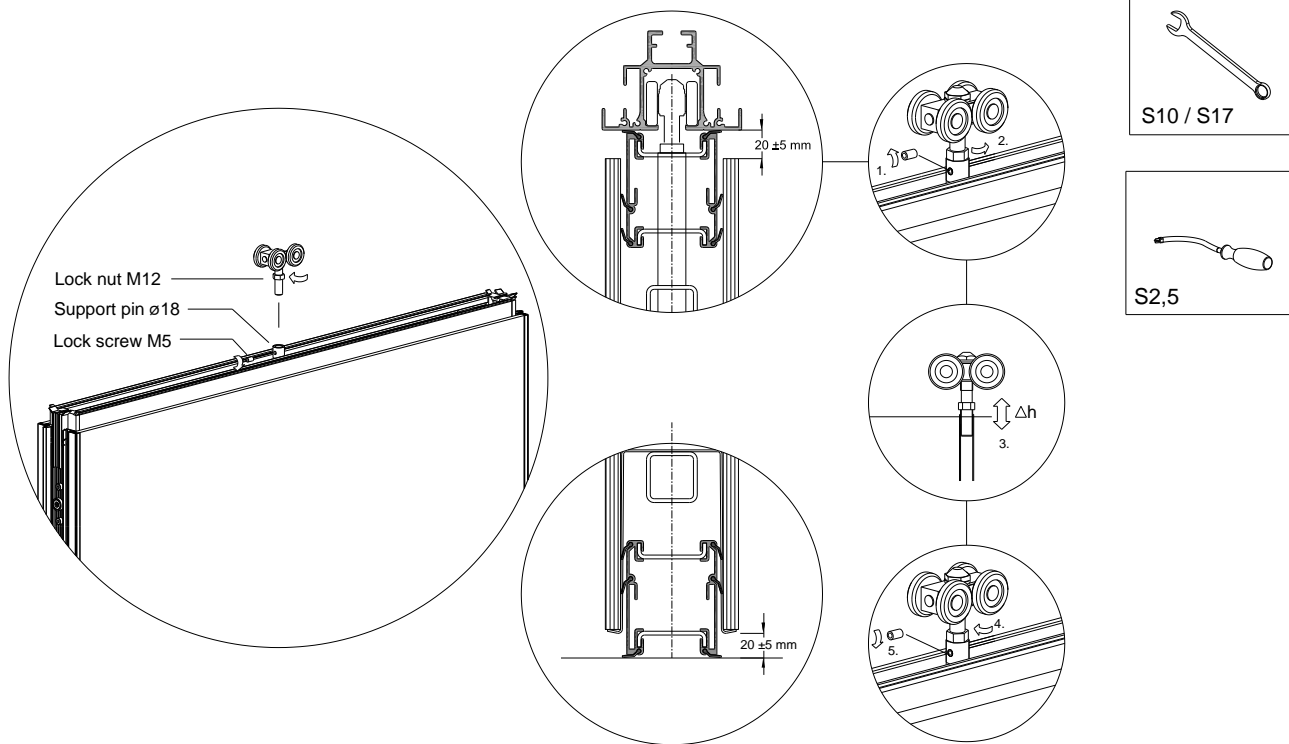


Shorten on the bottom
and make a cut-away

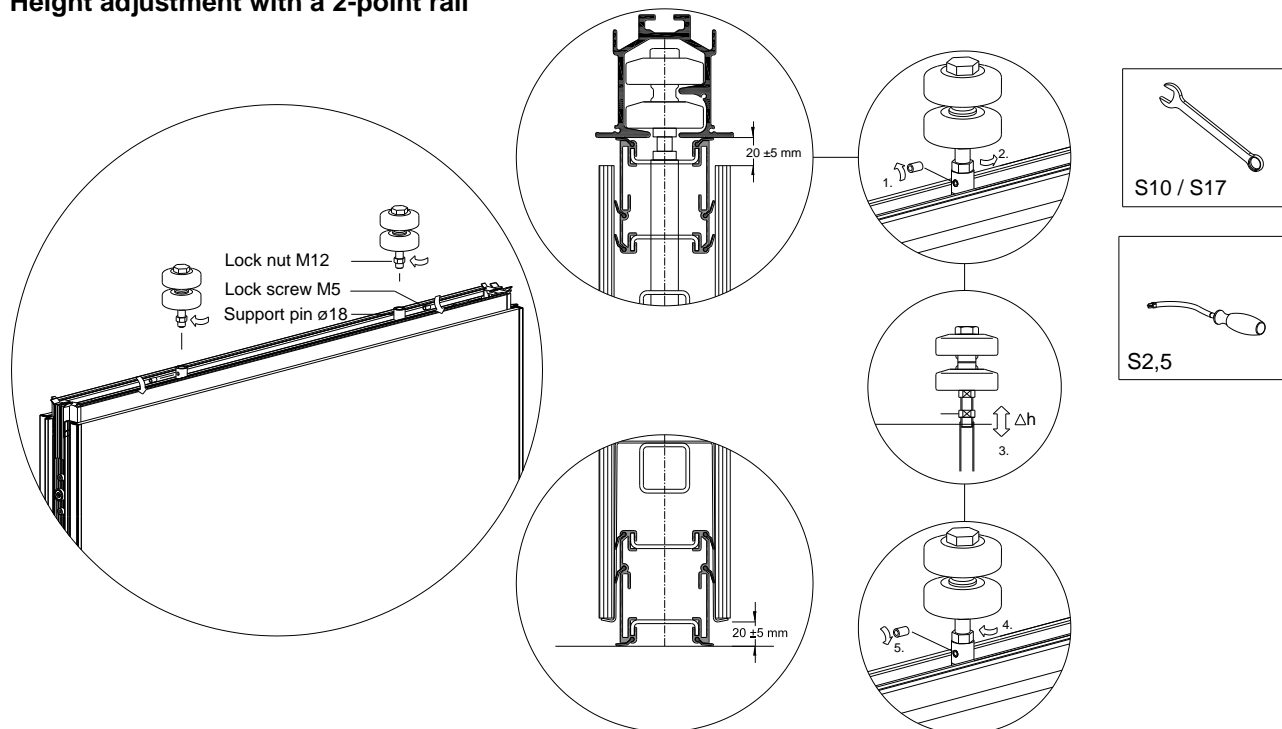
9. Adjusting the panels

9.1 Height adjustment

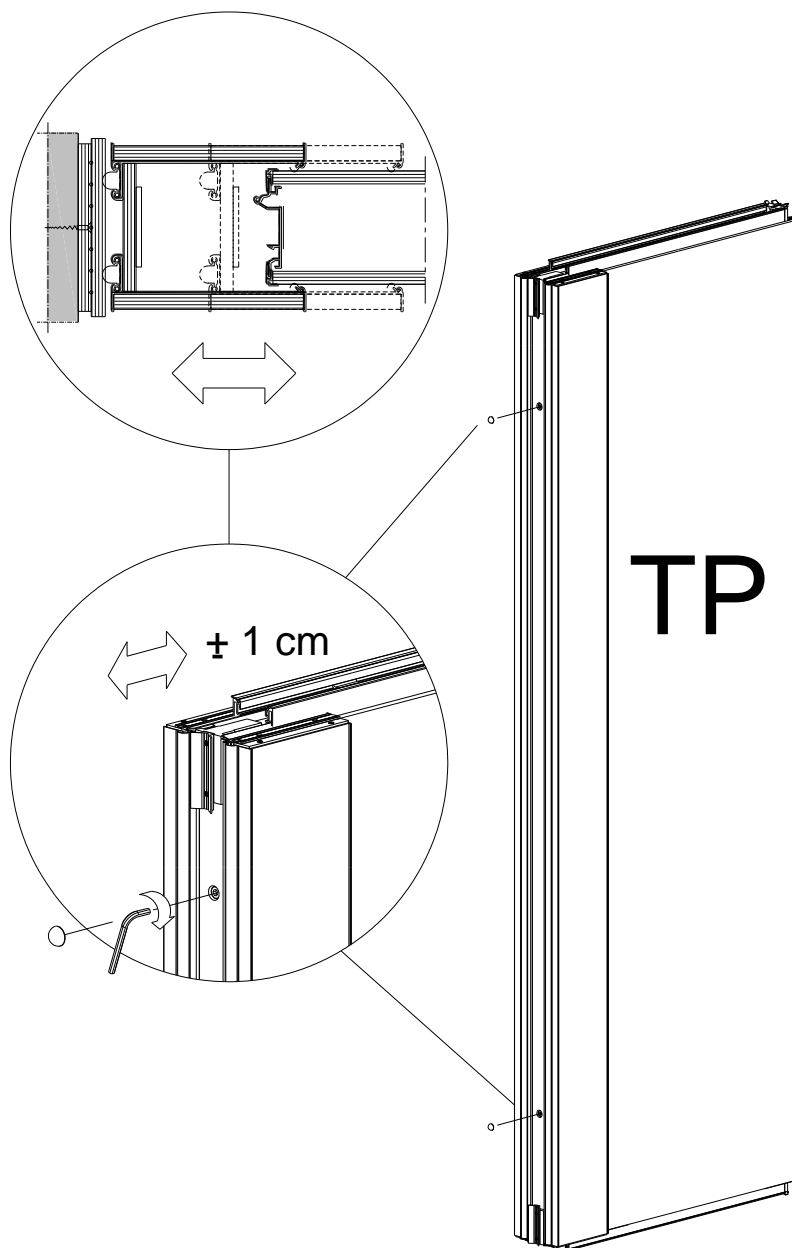
Height adjustment with a 1-point rail



Height adjustment with a 2-point rail



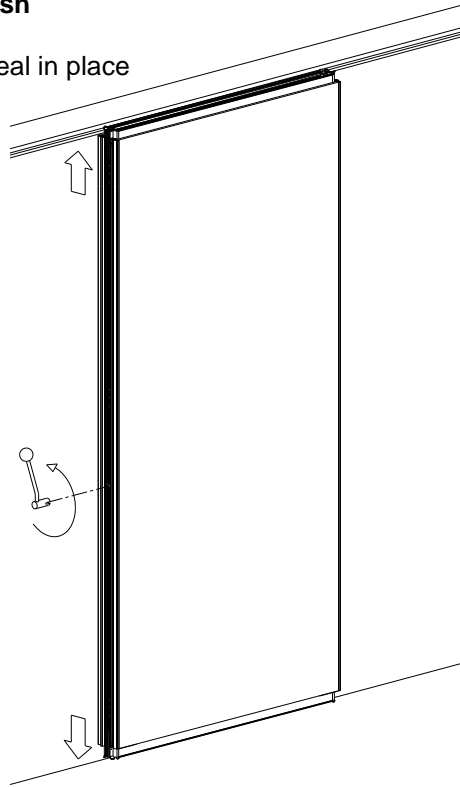
9.2 Adjustment of the telescopic part



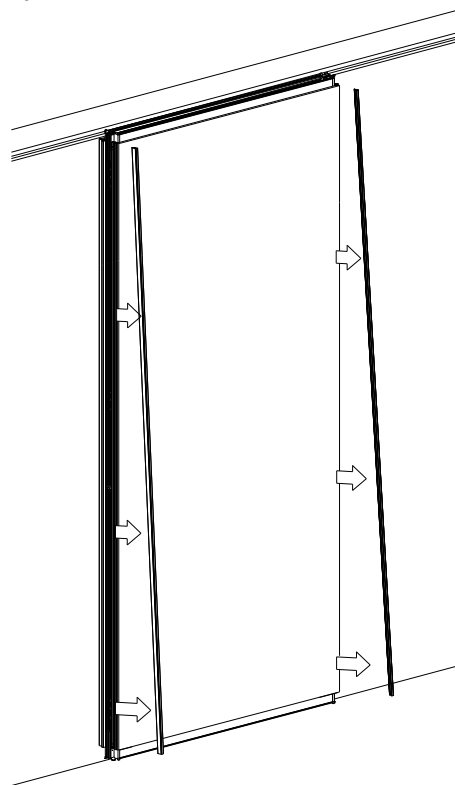
10. Finish

10.1 Removing the finish

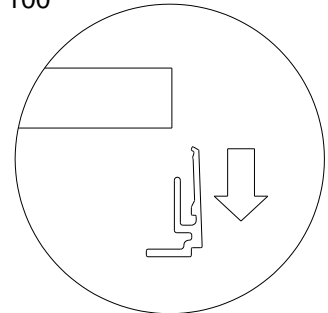
1. Fix the operation seal in place



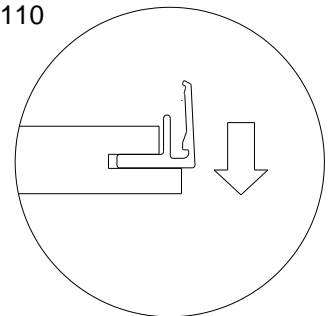
2. Detach the click jamb



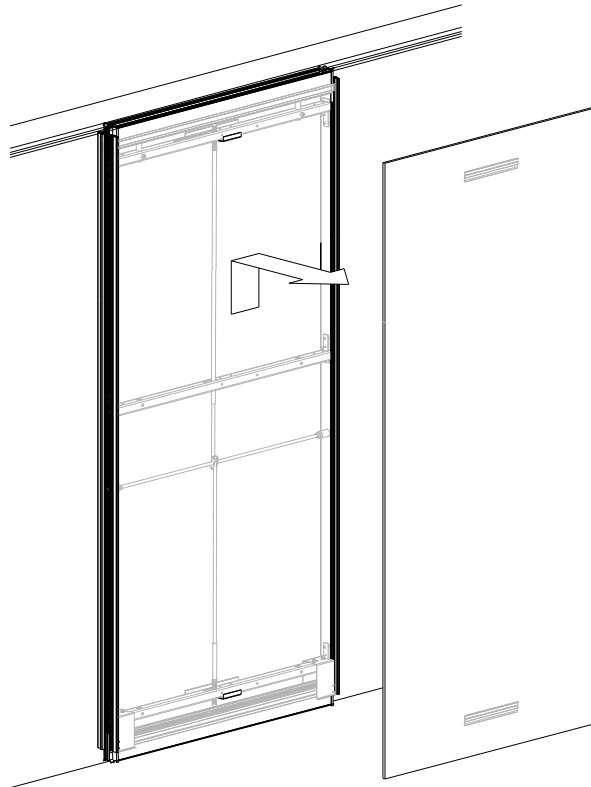
100



110

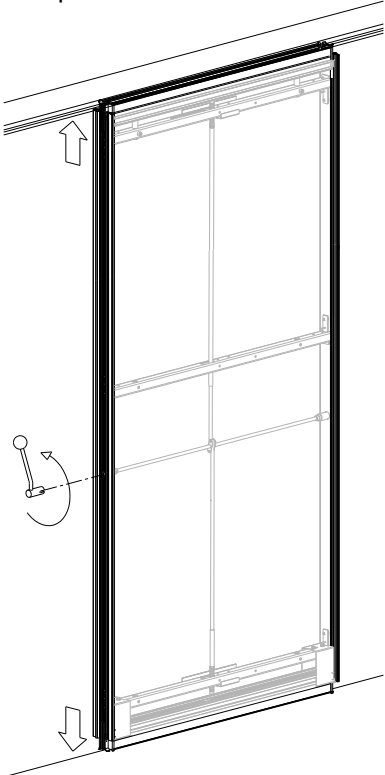


3. Remove the finish

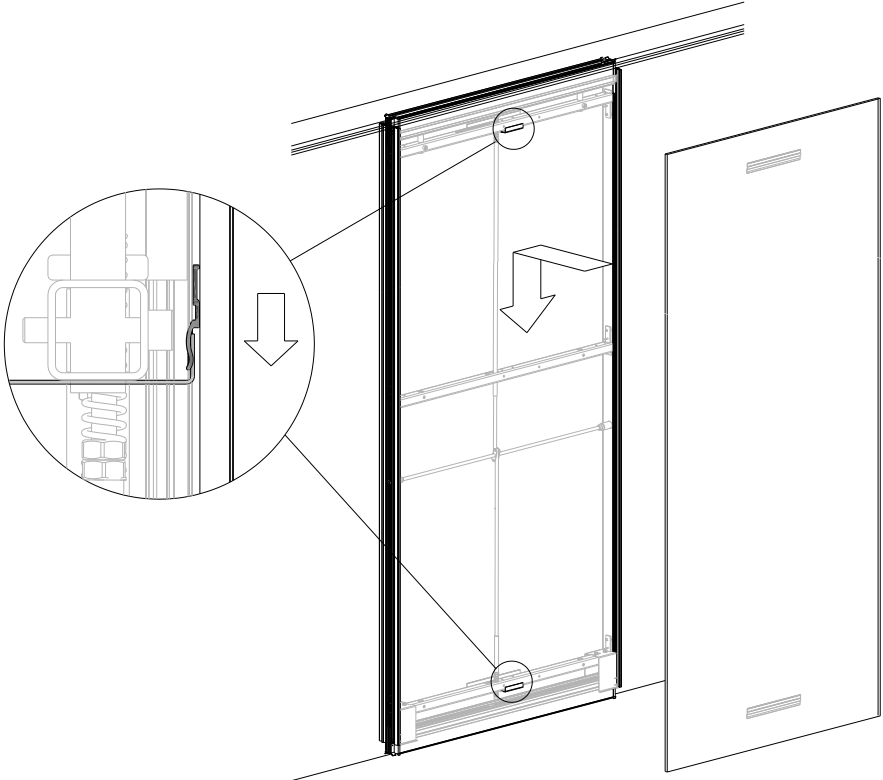


10.2 Placing the finish

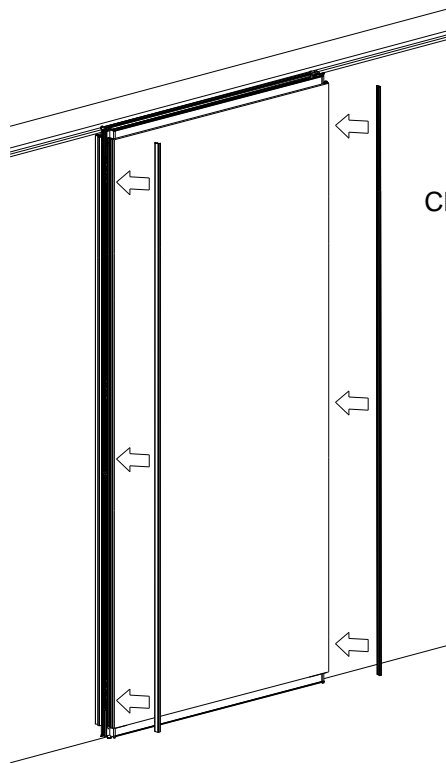
- 1. Fix the operation seal in place



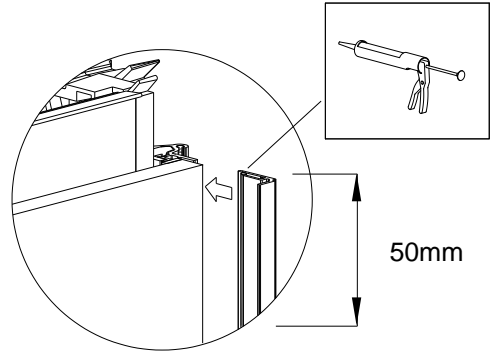
- 2. Place the finish



3. Fix the click jamb in place

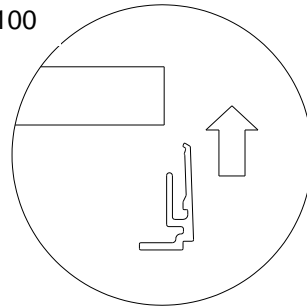


Click!



50mm

100



110

