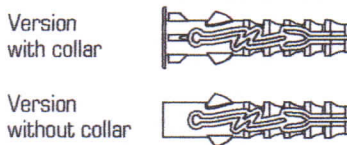
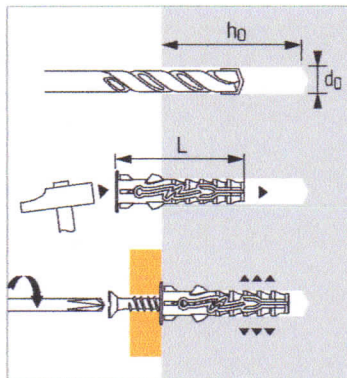




Universal nylon lightweight anchor



APPLICATION

- All lightweight fixings
- Bathroom accessories
- Electrical installations
- Plastic trunking

MATERIAL

- **Body:** Polyamid 6

Technical data

Anchor size	Wood screw diameter (mm) <i>d</i>	Drilling depth (mm) <i>h₀</i>	Drilling diameter (mm) <i>d₀</i>	Total anchor length (mm) <i>L</i>	Code	
					with collar	without collar
5X25	2,5 - 4	40	5	25	057070	-
6X30	3,5 - 5	40	6	30	057080	057140
8X40	5 - 7	40	8	40	057090	057020
10X50	6 - 8	60	10	50	-	057030
12X60	8 - 10	70	12	60	-	057150
14X70	10 - 12	80	14	70	-	057050

Recommended loads (*N_{rec}*, *V_{rec}*) and ultimate loads (*N_{Ru,m}*, *V_{Ru,m}*) in kN

TENSILE & SHEAR

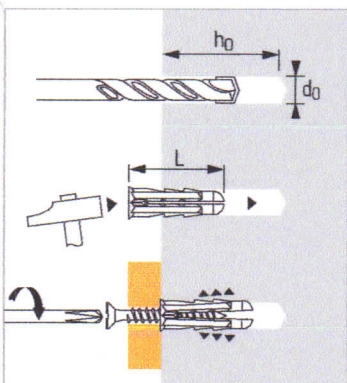
Base material	Anchor size	Screw Ø	5X25	6X30	8X40	10X50	12X60	14X70
			4	5	7	8	10	12
Concrete (≥C20/25)								
<i>N_{rec}</i> *			0,3	0,5	0,8	1,2	1,8	2,8
<i>N_{Ru,m}</i> *			1,5	2,5	4,0	6,0	9,0	14,0
<i>V_{rec}</i> *			0,3	0,8	1,0	1,2	2,8	3,0
<i>V_{Ru,m}</i> *			3,1	4,9	5,8	7,3	22,3	24,0
Clay bricks BP 400								
<i>N_{rec}</i> *			0,3	0,5	0,8	1,1	1,5	1,8
<i>N_{Ru,m}</i> *			1,5	2,5	4,0	5,5	7,5	9,0
Hollow clay bricks C 40								
<i>N_{rec}</i> *			0,2	0,25	0,35	0,45	0,55	0,7
<i>N_{Ru,m}</i> *			1,0	1,3	1,8 ⁽¹⁾	2,3 ⁽¹⁾	2,8 ⁽¹⁾	3,5 ⁽¹⁾
Aerated concrete NFP 14-386								
<i>N_{Ru,m}</i> *			0,22	0,44	0,65	0,91	1,33	1,5
<i>V_{Ru,m}</i> *			0,16	0,23	0,42	0,71	0,96	1,1

* indicative values
⁽¹⁾ only for hollow clay bricks rendered

ARPON



Universal polyethylene lightweight anchor



APPLICATION

- Lightweight fixing in all base material
- Small electrical accessories, small light fittings, fuse boxes, etc...

MATERIAL

- **Body:** Polyethylene

Technical data

Anchor size	Screw threaded diameter (mm) <i>d</i>	Drilling depth (mm) <i>h₀</i>	Drilling diameter (mm) <i>d₀</i>	Total anchor length (mm) <i>L</i>	Code
6X25	3 - 5	30	6	25	198160
8X30	4 - 7	40	8	30	198180
8X30 PAV*	-	40	8	30	198190

*PAV : version with threaded head M7x150

Recommended loads (*N_{rec}*) and ultimate loads (*N_{Ru,m}*) in kN

TENSILE

Base material	Anchor size	screw Ø	6X25	8X30
Concrete (≥C20/25)				
			5	6
<i>N_{rec}</i> *			0,25	0,25
<i>N_{Ru,m}</i> *			1,5	1,5
Hollow concrete blocks B 40				
<i>N_{rec}</i> *			0,20	0,22
<i>N_{Ru,m}</i> *			1,2	1,3
Hollow clay bricks RJ 40 rendered				
<i>N_{rec}</i> *			0,26	0,26
<i>N_{Ru,m}</i> *			1,6	1,6

* indicative values