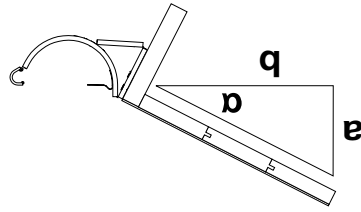
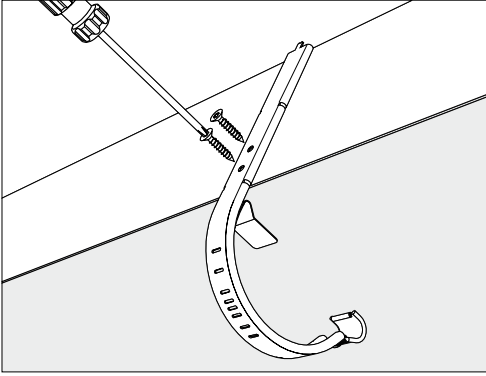


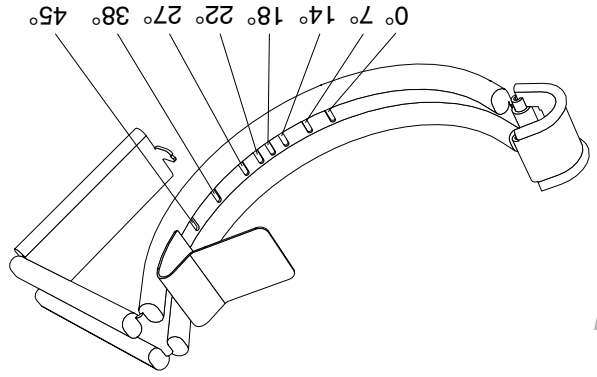
3.



0°		1
7°	8	1
14°	4	1
18°	3	1
22°	2.5	1
27°	2	1
38°	1.25	1
45°	1	1
	b	a



2.



1.

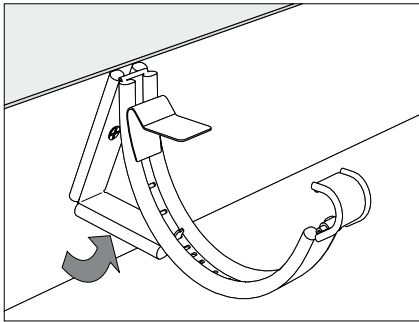


www.lindab.com

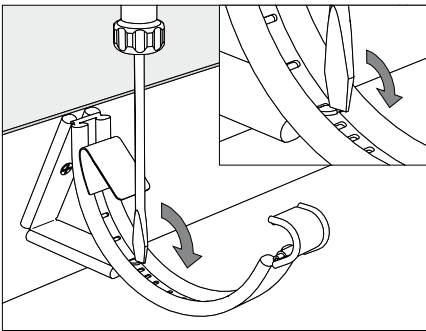
lindab rainline | assembly instruction

indab rainline | assembly instruction

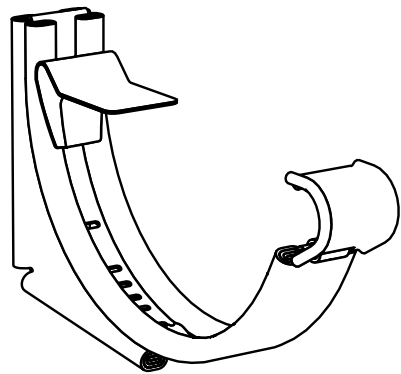
4.



5.



**SSK**



Lindab Profil AB  
SE-269 82 Båstad  
Phone +46 431 850 00  
Fax +46 431 851 50



www.lindab.com