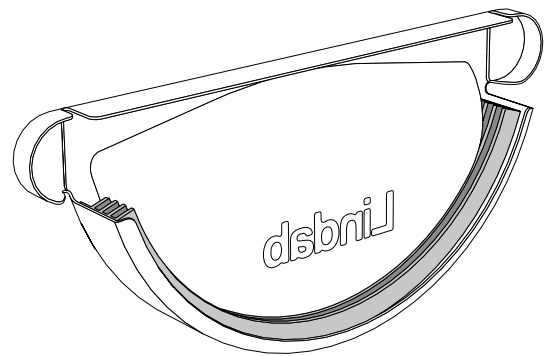
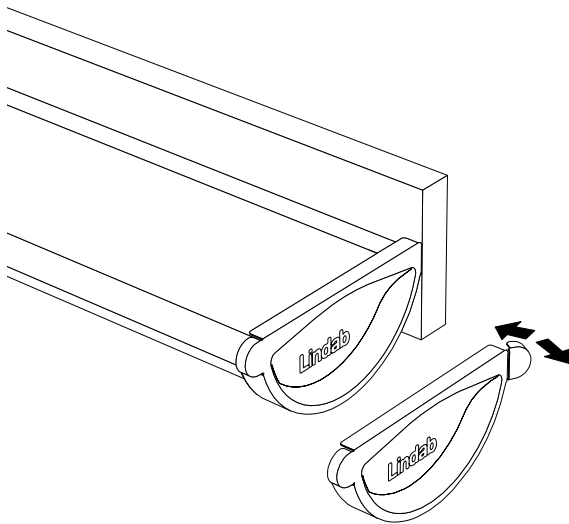


lindab rainline | assembly instruction

lindab rainline | assembly instruction

# RG



Lindab Profil AB  
 SE-269 82 Båstad  
 Phone +46 431 850 00  
 Fax +46 431 851 50



www.lindab.com