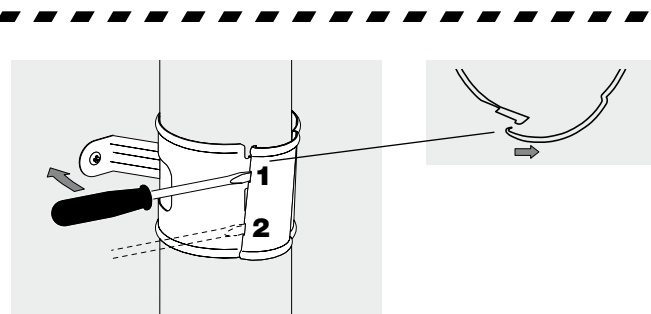
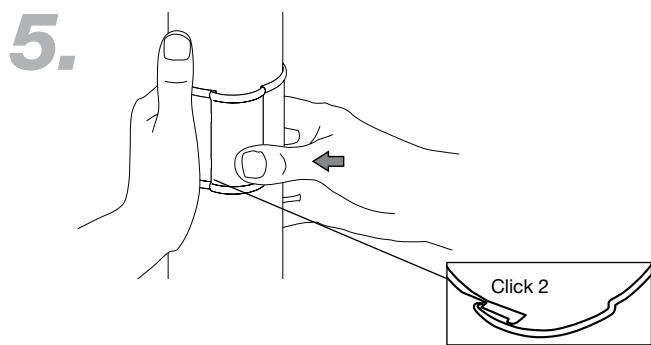
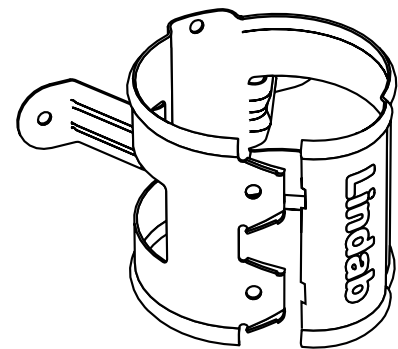


indab rainline | assembly instruction

indab rainline | assembly instruction

# SSVH



Lindab Profil AB  
SE-269 82 Båstad  
Phone +46 431 850 00  
Fax +46 431 851 50



www.lindab.com