



Staple type: 17 Series Staples
Wire Ø: 1.51mm

Suitable for the following tools:


Duo-Fast SW17 48

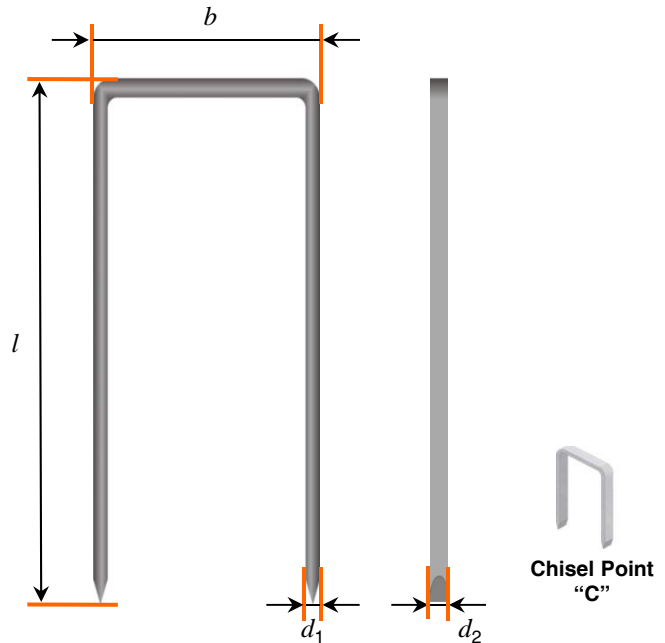
Toolmatic S520.4805

**please check staple length compatibility with each tool before use*

Staple lengths available: 16mm – 38mm
Staples per strip: 63

CORROSION PROTECTION

Finish	Usage Environment	Label Colour on Packaging
Zinc Galv up to 3µm	INDOOR 	Blue



STAPLE PROPERTIES / DIMENSIONS

Tensile strength of wire:	min 850 N/mm ²
Nominal diameter (d):	1.51mm
Flattened wire dimension:	(d_1): 1.29mm (d_2): 1.63mm
Outside crown width (b):	26.20mm
Strip length:	approx 103.00mm
Standard point:	"C"
Coated leg length:	Full

STAPLE LENGTHS AVAILABLE*

Finish	Lengths Available <small>*Other lengths on request</small>
Zinc Galv up to 3µm	16mm, 18mm, 25mm, 32mm, 38mm,

Duo-Fast is a brand of the ITW Group. ITW reserves the right to change specification without notice. All design using this data should be carried out by a qualified structural engineer, subject to relevant National and European standards or regulations.