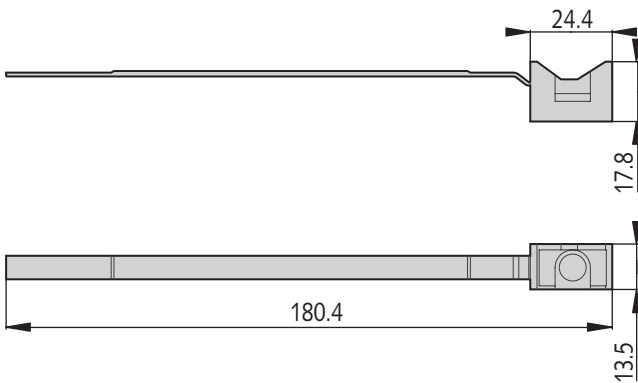


SPIT wiring accessories




CT-CLIP FOR CONDUIT, PIPEWORK, LOW VOLTAGE CABLING, ARMoured CABLING

- Description : Cables : Ø mini 16 – Ø maxi 32
RNC conduits : Ø16 – Ø20 – Ø25 – Ø32.
- Raw material : Polyamid 6-6 according to ISO 1874
- Color : Grey, RAL 7035.
- Burning properties : Incandescent wire test according to CEI 695-2-1/2.: 650°C passed
- Installation temperature : T°C : -5°C / +35°C.
- Working temperature: T°C : -40°C / +70°C.



Pin selection guide

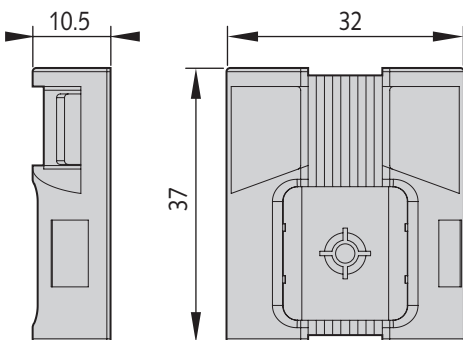
 CT-CLIP	C6-20	C6-25	C6-30	HC6-15	HC6-17	HC6-22	HC6-27
Concrete C20/25		●	●			●	●
Concrete C30/37		●			●	●	
Concrete C40/50					●	●	
Prestressed / Prefabricated concrete					●	●	
Solid brick		●	●			●	●
Hollow brick rendered		●	●			●	●
Hollow concrete block		●	●			●	●
Calcium silicate block		●	●			●	●
Steel				●	●		

Tool : P800E


CLIPLEC FOR CONDUIT, PIPEWORK, LOW VOLTAGE CABLING, ARMoured CABLING

It is for use with cable ties (not included).

- Code product: 011203 (black) / 053881 (grey)
- Raw material: copolymer polypropylene
- Color: black (UV protected) / grey
- Allogene free
- Burning properties: Incandescent wire test according to CEI 695-2-1/2.: 750°C passed
- Installation temperature: T°C: -5°C / +35°C
- Working temperature: T°C: -30°C / +55°C



Pin selection guide

 CLIPLEC	C6-20	C6-25	C6-30	HC6-15	HC6-17	HC6-22	HC6-27
Concrete C20/25		●	●			●	●
Concrete C30/37		●			●	●	
Concrete C40/50					●	●	
Prestressed / Prefabricated concrete					●	●	
Solid brick		●	●			●	●
Hollow brick rendered		●	●			●	●
Hollow concrete block		●	●			●	●
Calcium silicate block		●	●			●	●
Steel				●	●		

Tool: P800E

SPIT wiring accessories



RECOMMENDED LOAD AND DISPLACEMENT

Accessories	Failure load (kN)	Displacement at the failure load (mm)	Recommended load (kN) for a displacement equal to 1 mm for accessories $N_{rec} (d = 1 \text{ mm})$
Metal P-CLIP	0.30	13 mm	0.07
TIE-CLIP	0.30	4 mm	0.10
P-CLIP simple	0.22	10 mm	0.03
P-CLIP double	0.10	9 mm	0.06
CLIPLEC	0.60	22 mm	0.20
E-CLIP	0.04	1 mm	0.04
Single cable bows	0.10	16 mm	0.025
Double cable bows	0.16	16 mm	0.04
Drywall track	1.0	-	0.20
Wood sole plate with thickness 27 mm	1.2	-	0.16

Check that the embedment depth is adapted to the recommended load requested for the accessories.