




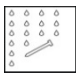
Staple type: KL 800
 21 GAUGE STAPLES MEDIUM CROWN
 Wire Ø: 0.835mm

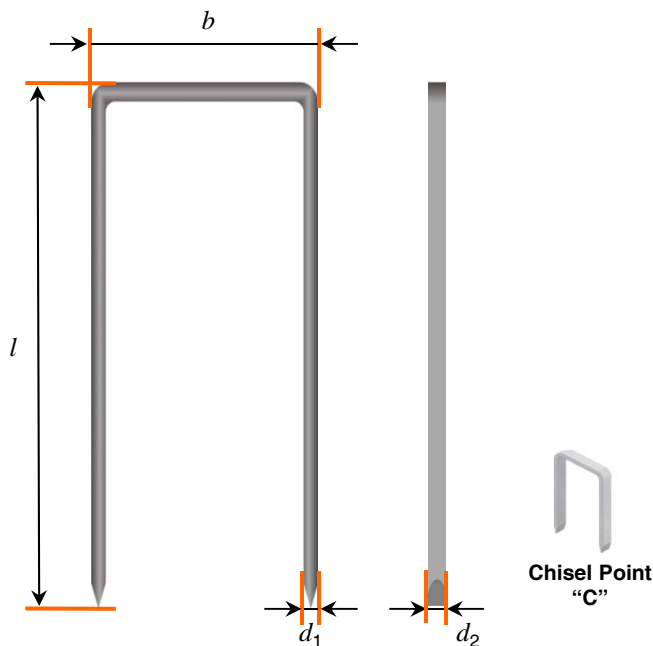
Suitable for the following tools*:

haubold PN 814 G
 PN 816 (F)
 Toolmatic S210.3501
**please check staple length compatibility with each tool before use*

Staple lengths available: 4mm – 16mm
 Staples per strip: 125 / 143

CORROSION PROTECTION

Finish	Usage Environment	Label Colour on Packaging
Zinc Galv	INDOOR 	Blue
Stainless Steel A2 AISI 304 / WNr 1.4301	INDOOR, COVERED OUTDOOR & OUTDOOR 	Yellow



STAPLE PROPERTIES / DIMENSIONS

Tensile strength of wire: min 900 N/mm²
 Nominal diameter (d): 0.835mm
 Flattened wire dimension: (d_1): 0.64mm
 (d_2): 0.95mm
 Outside crown width (b): 12.90mm
 Strip length: approx 128mm (125)
 approx 138mm (143)
 Standard point: "C"
 Coated leg length: Full

STAPLE LENGTHS AVAILABLE*

Finish	Lengths Available <small>*Other lengths on request</small>
Zinc Galv	4mm, 5mm, 6mm, 8mm, 10mm, 12mm, 14mm, 16mm
Stainless Steel A2 AISI 304 / WNr 1.4301	8mm, 10mm, 14mm

haubold is a brand of the ITW Group. ITW reserves the right to change specification without notice. All design using this data should be carried out by a qualified structural engineer, subject to relevant National and European standards or regulations.