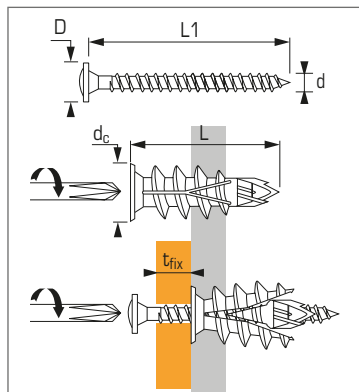




Self drilling anchor for plasterboard & aerated concrete



Technical data

Anchor size	Max. thick. of part to be fixed (mm) t_{fix}	Screw threaded diameter (mm) d	Screw head diameter (mm) D	Total screw length (mm) L1	Anchor head diameter (mm) d_c	Total anchor length (mm) L	Code
TP10	10	4,5	9,0	45	13	38	565806

Nota : Predrilling with HSS drill bit is required in aerated concrete : Ø8 mm

Recommended loads (N_{rec}) and ultimate loads (N_{Ru,m}) in kN

APPLICATION

- Fittings
- Bathroom accessories
- Wall heaters
- Electrical switch boxes
- Trunking
- Conduit

MATERIAL

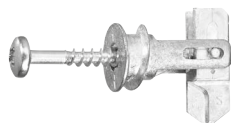
- **Body** : reinforced polyamid
- **Screw** : Flat head screw supplied

TENSILE

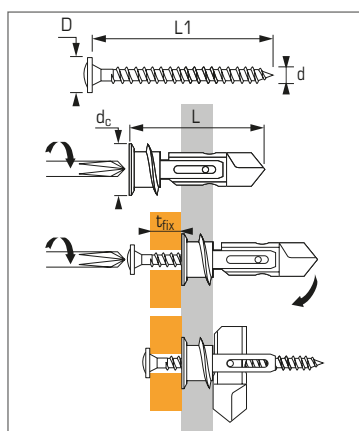
Anchor size	TP10
Base material	
Aerated concrete	
N _{rec}	0,095
N _{Ru,m}	0,49
Plasterboard BA13	
N _{rec}	0,09
N _{Ru,m}	0,45
Plasterboard BA10	
N _{rec}	0,06
N _{Ru,m}	0,29

SHEAR

Anchor size	TP10
Base material	
Aerated concrete	
V _{rec}	0,25
V _{Ru,m}	1,40
Plasterboard BA13	
V _{rec}	0,24
V _{Ru,m}	1,10
Plasterboard BA10	
V _{rec}	0,15
V _{Ru,m}	0,75



Special fixing for plasterboard : double anchorage



Technical data

Anchor size	Max. thick. of part to be fixed (mm) t_{fix}	Screw threaded diameter (mm) d	Screw head diameter (mm) D	Total screw length (mm) L1	Anchor head diameter (mm) d_c	Total anchor length (mm) L	Code
TP12	12	4,5	9,2	45	16	39	061190

Recommended loads (N_{rec}) and ultimate loads (N_{Ru,m}) in kN

TENSILE

Anchor size	TP12
Base material	
Plasterboard BA13	
N _{rec}	0,12
N _{Ru,m}	0,60
Plasterboard BA10	
N _{rec}	0,084
N _{Ru,m}	0,42

SHEAR

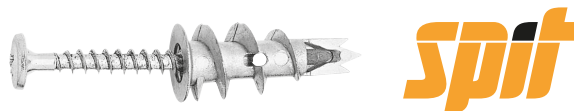
Anchor size	TP12
Base material	
Plasterboard BA13	
V _{rec}	0,28
V _{Ru,m}	1,40
Plasterboard BA10	
V _{rec}	0,23
V _{Ru,m}	1,15

APPLICATION

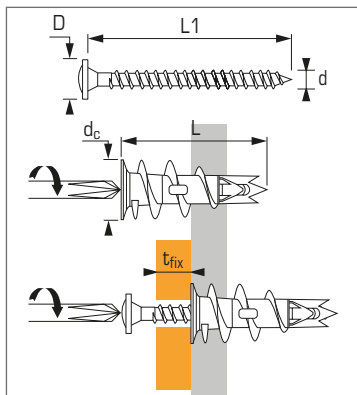
- Self-drilling, double anchorage fixing for plasterboard: thickness 10 to 13 mm with or without insulation (polystyren, etc...)
- Bathroom accessories
- Kitchen cabinets
- Radiators
- Fuse boxes

MATERIAL

- **Body** : zamak 3, NFA 55.010
- **Screw** : Special screw supplied, head type PZ2



Self drilling anchor for plasterboard & aerated concrete



Technical data

Anchor size	Max. thick. of part to be fixed (mm) t_{fix}	Screw threaded diameter (mm) d	Screw head diameter (mm) D	Total screw length (mm) L1	Anchor head diameter (mm) d_c	Total anchor length (mm) L	Code
TF5	5	4,5	8,2	25	13	31	059370
TP12	12	4,5	9,2	35	13	31	059360
TF27	27	4,5	8,8	50	13	31	059380
C7	M7X150	4,5	-	37	13	31	059390
SV (sans vis)	-	4,5	-	-	13	31	060083
Mini DRIVA (1)	-	-	-	-	7,5	26	059430

Nota : Predrilling with HSS drill bit is required:
in laminated plasterboard or gypsum block : Ø10 mm / in aerated concrete : Ø6 mm

APPLICATION

- Bathroom accessories, wall heaters,
- Electrical switch boxes, trunking, conduit,
- Curtain track.
- ⁽¹⁾ **Mini DRIVA** : for fixing trunking to plasterboard

MATERIAL

- Body** : zamak 3 NFA 55.010
- Screw** : Special screw supplied, head type PZ2

Recommended loads (N_{rec}, V_{rec}) and ultimate loads (N_{Ru,m}, V_{Ru,m}) in kN

TENSILE

Base material	Anchor size	DRIVA TP/TF/C7	DRIV' AIR	Mini DRIVA
Aerated concrete				
N _{rec}		0,06	0,06	-
N _{Ru,m}		0,3	0,3	-
Plasterboard BA13				
N _{rec}		0,06	0,06	0,03
N _{Ru,m}		0,3	0,3	0,16

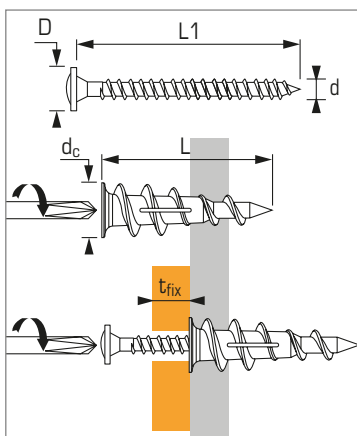
SHEAR

Base material	Anchor size	DRIVA TP/TF/C7	DRIV' AIR
Aerated concrete			
V _{rec}		0,18	0,18
V _{Ru,m}		0,9	0,9
Plasterboard BA13			
V _{rec}		0,18	0,18
V _{Ru,m}		0,9	0,9

DRILL



Self drilling anchor for plasterboard & aerated concrete



Technical data

Anchor size	Max. thick. of part to be fixed (mm) t_{fix}	Screw threaded diameter (mm) d	Screw head diameter (mm) D	Total screw length (mm) L1	Anchor head diameter (mm) d_c	Total anchor length (mm) L	Code
TF12	12	3,0	8,6	25	9,5	30	061630

Nota : Predrilling with HSS drill bit is required:
in laminated plasterboard or gypsum block : Ø5 mm / in aerated concrete : Ø 5 mm

Recommended loads (N_{rec}, V_{rec}) and ultimate loads (N_{Ru,m}, V_{Ru,m}) in kN

TENSILE

Base material	Anchor size	TP12
Aerated concrete		
N _{rec}		0,046
N _{Ru,m}		0,23
Plasterboard BA13		
N _{rec}		0,044
N _{Ru,m}		0,22

SHEAR

Base material	Anchor size	TP12
Aerated concrete		
V _{rec}		0,15
V _{Ru,m}		0,75
Plasterboard BA13		
V _{rec}		0,16
V _{Ru,m}		0,80

APPLICATION

- Fixing in all soft materials
- Small electrical accessories

MATERIAL

- Body** : reinforced polyamid 6.6
- Screw** : Special screw supplied, head type PH1