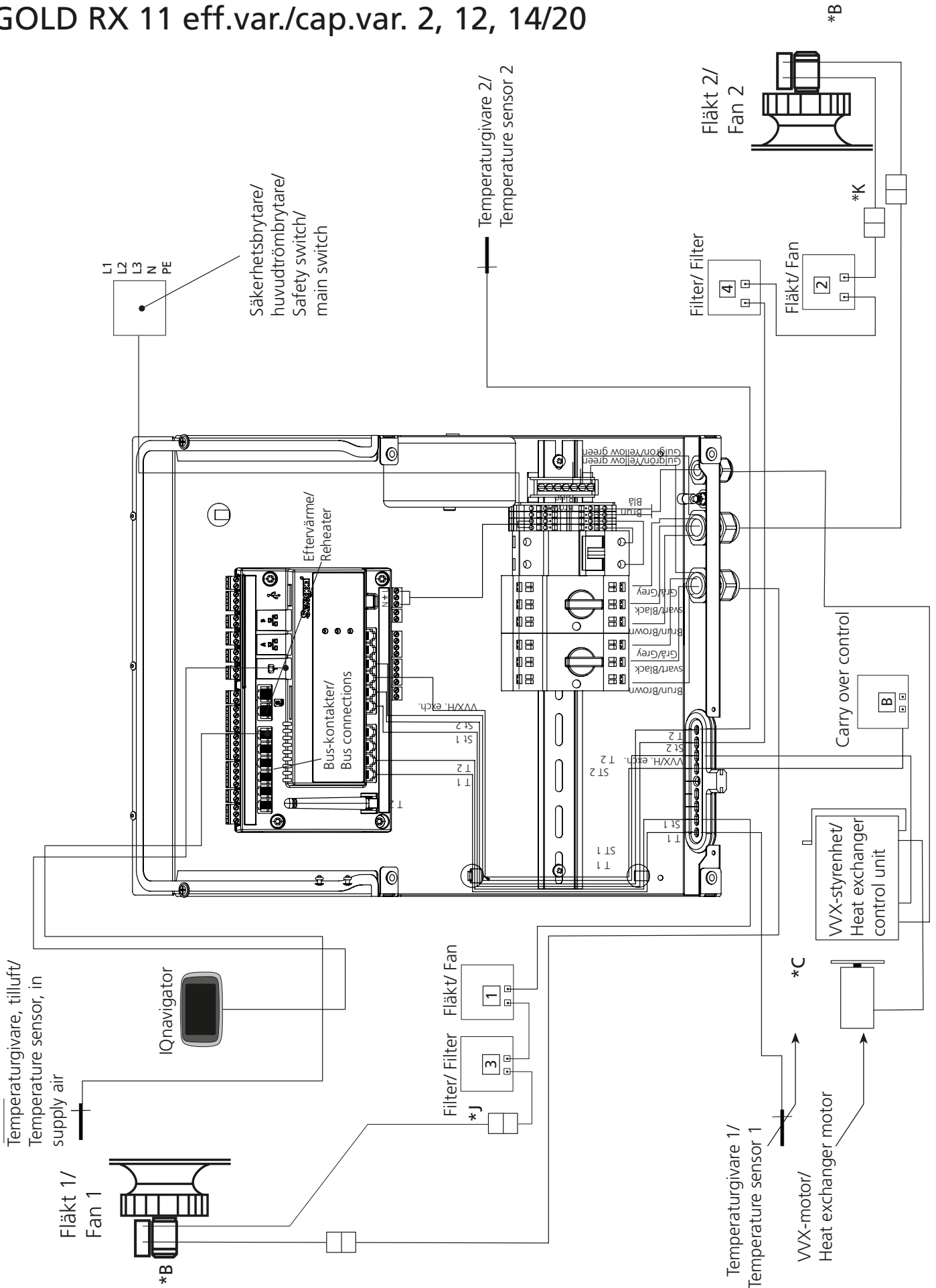
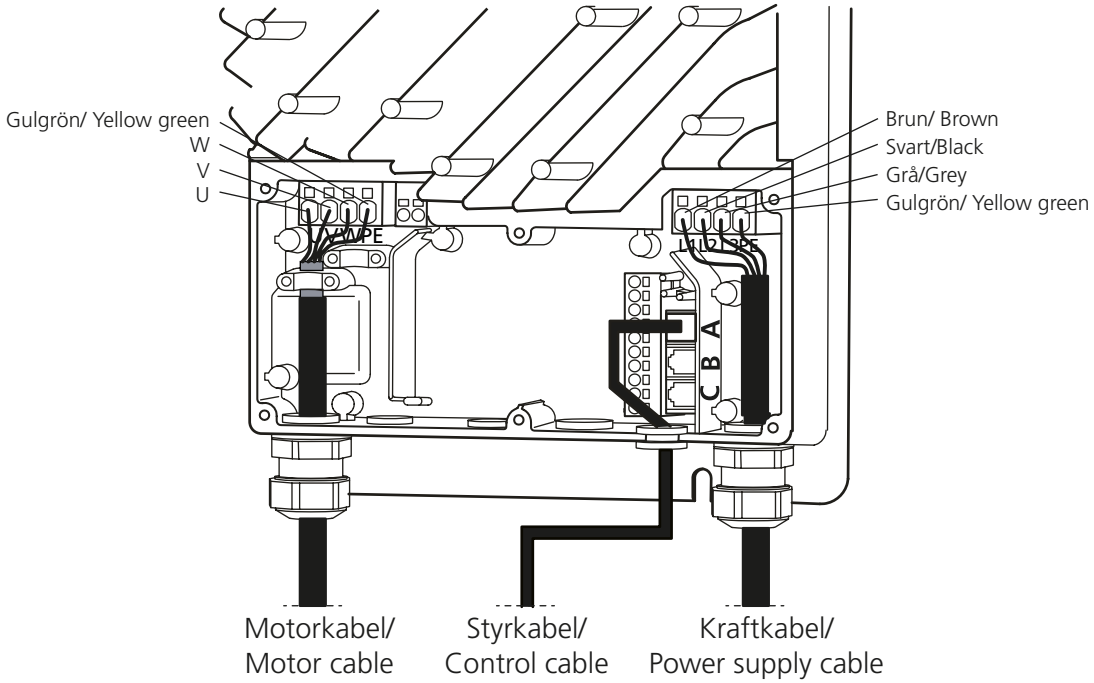


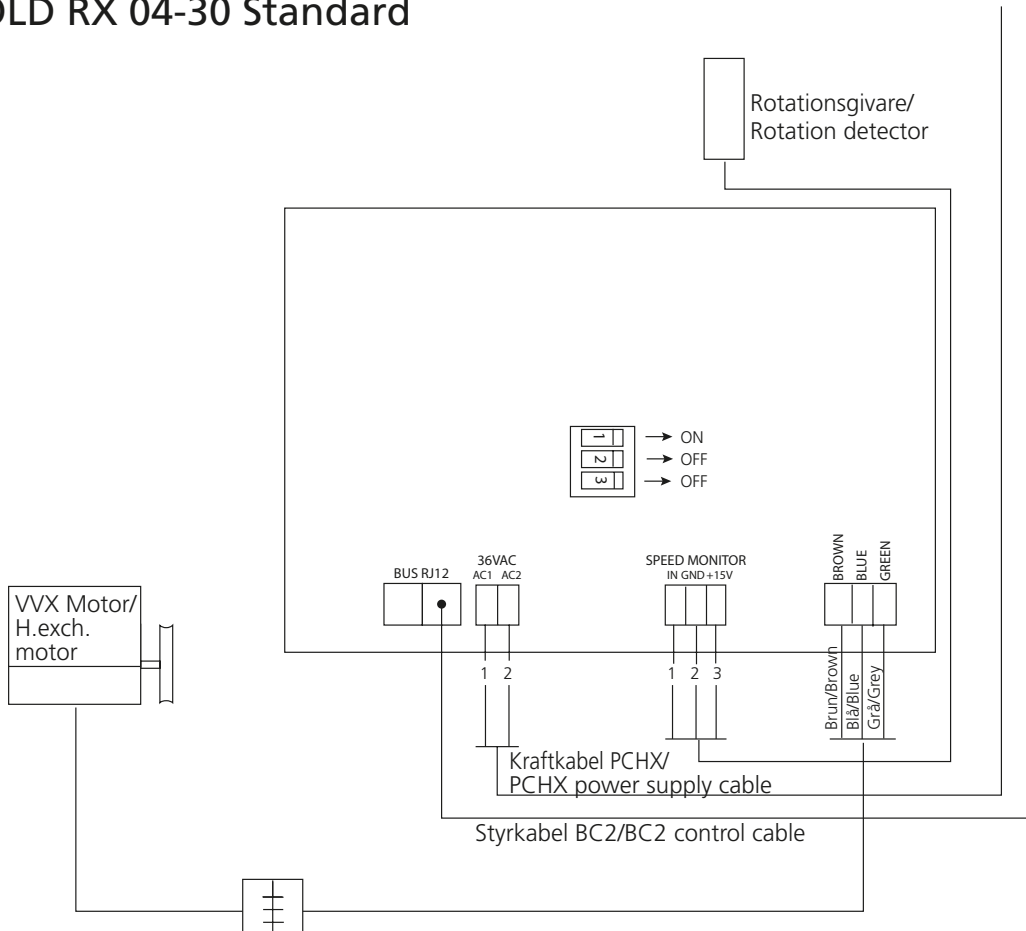
GOLD RX 11 eff.var./cap.var. 2, 12, 14/20



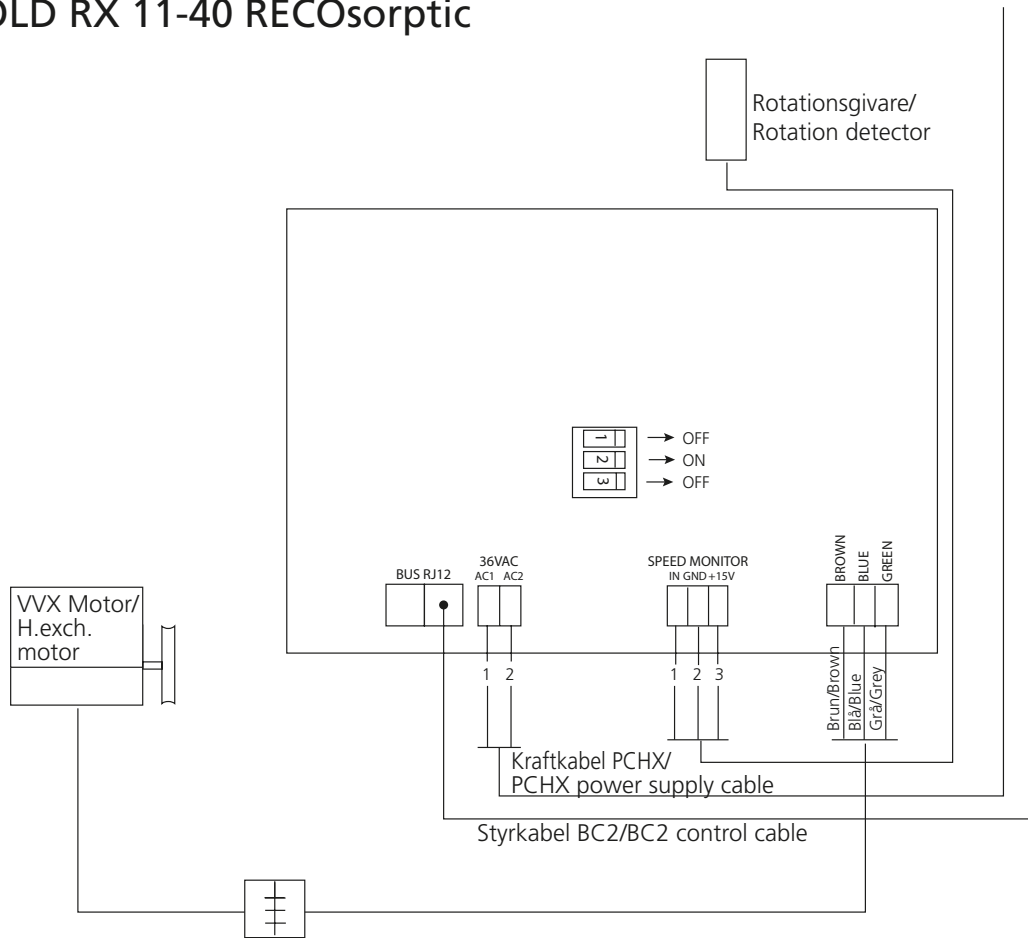
B: GOLD RX/PX/CX/SD 08/11 eff.var./cap.var. 2, 12-120



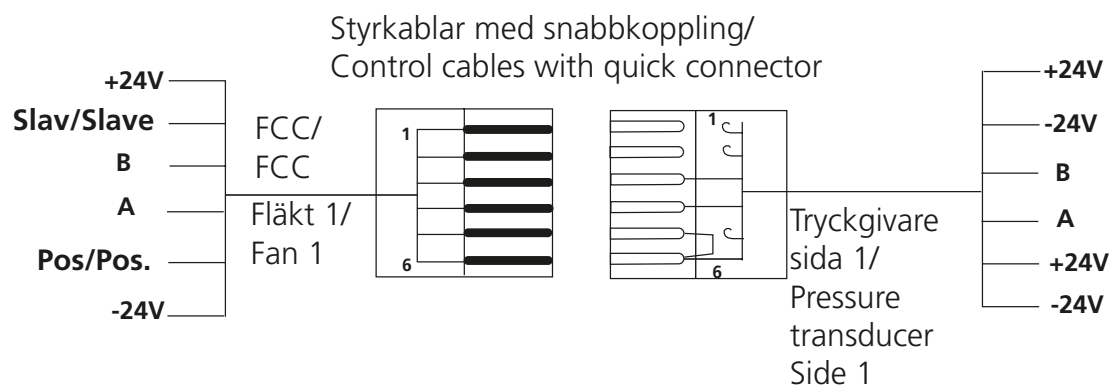
C: GOLD RX 04-30 Standard



C: GOLD RX 11-40 RECOsorptic



J: GOLD RX/PX/CX/SD 04-40



K: GOLD RX/PX/CX/SD 04-40

