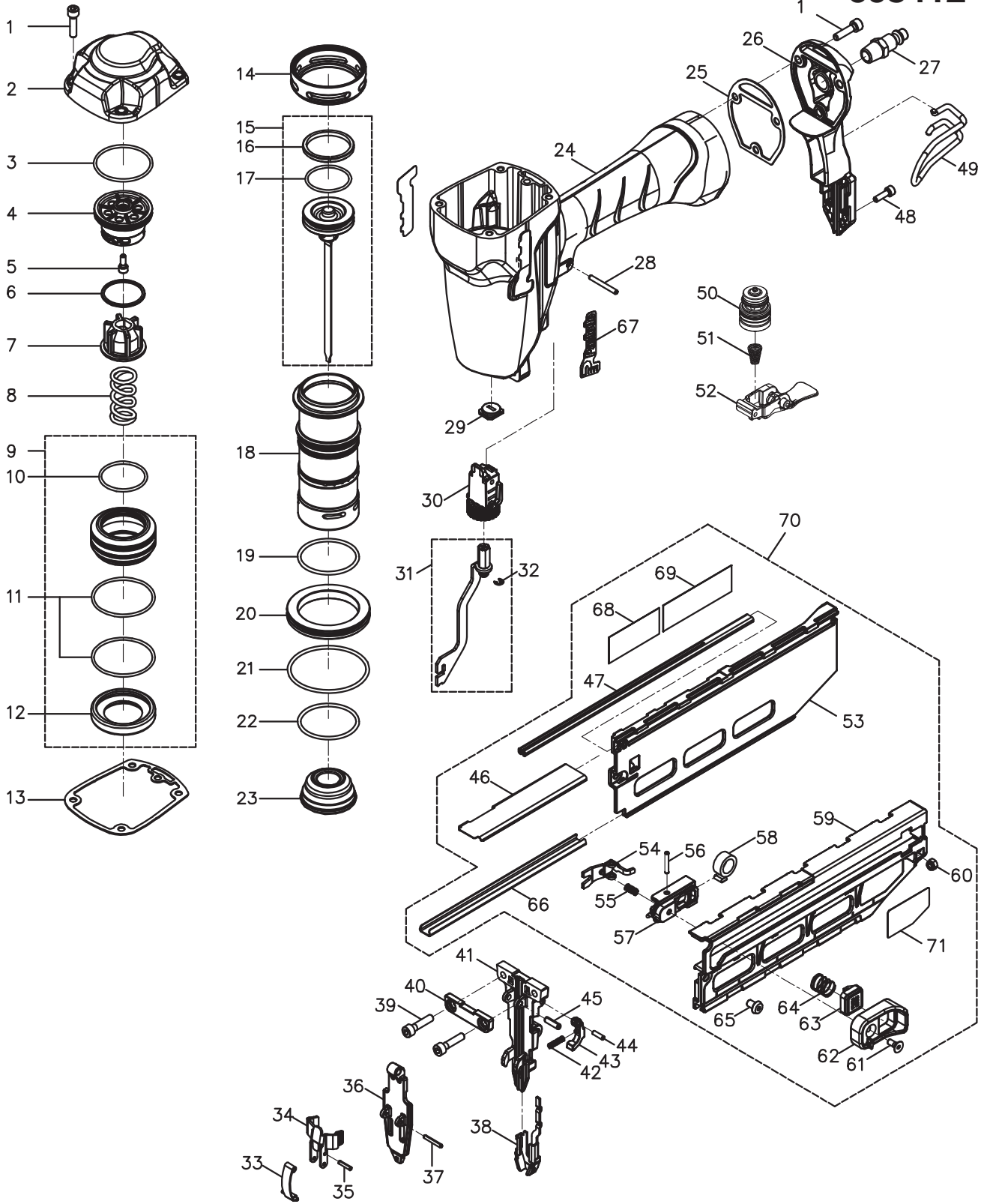


# FN1665.2 605412



# FN1665.2 605412

| N° | Code   | Qty | Name                  | N° | Code   | Qty | Name                   |
|----|--------|-----|-----------------------|----|--------|-----|------------------------|
| 1  | 515501 | 7   | Hex. Soc. Hd. Bolt    | 37 | 515537 | 1   | Spring Pin             |
| 2  | 515502 | 1   | Cap                   | 38 | 515538 | 1   | WCE                    |
| 3  | 515503 | 1   | O-Ring                | 39 | 515539 | 2   | Hex. Soc.Hd. Bolt      |
| 4  | 515504 | 1   | Top Cap Ring          | 40 | 515540 | 1   | Set Plate              |
| 5  | 515505 | 1   | Hex. Soc. Hd. Bolt    | 41 | 577030 | 1   | Nose                   |
| 6  | 515506 | 1   | Spacer                | 42 | 617456 | 1   | Spring                 |
| 7  | 515507 | 1   | Piston Stopper        | 43 | 515543 | 1   | Lock-out Lever         |
| 8  | 515508 | 1   | Spring                | 44 | 515544 | 1   | Spring Pin             |
| 9  | 515509 | 1   | Head Valve Assembly   | 45 | 515545 | 1   | Spring Pin             |
| 10 | 515510 | 1   | O-Ring                | 46 | 515546 | 1   | Upper Plate            |
| 11 | 515511 | 2   | O-Ring                | 47 | 515547 | 1   | Nail Guide             |
| 12 | 515512 | 1   | Seal                  | 48 | 515548 | 2   | Hex. Soc.Hd. Bolt      |
| 13 | 515513 | 1   | Top Cap Seal          | 49 | 515549 | 1   | Belt Hook              |
| 14 | 515514 | 1   | Collar                | 50 | 515550 | 1   | Trigger Valve Assembly |
| 15 | 515515 | 1   | Driver Blade Assembly | 51 | 617780 | 1   | Spring                 |
| 16 | 515516 | 1   | Wear-Ring             | 52 | 515552 | 1   | Selectable Trigger     |
| 17 | 515517 | 1   | O-Ring                | 53 | 515553 | 1   | Magazine (Right)       |
| 18 | 515518 | 1   | Cylinder              | 54 | 515554 | 1   | Pusher                 |
| 19 | 515519 | 1   | O-Ring                | 55 | 515555 | 1   | Spring                 |
| 20 | 515520 | 1   | Cylinder-Ring         | 56 | 515556 | 1   | Spring Pin             |
| 21 | 515521 | 1   | O-Ring                | 57 | 515557 | 1   | Pusher Seat Assembly   |
| 22 | 515522 | 1   | O-Ring                | 58 | 515558 | 1   | Roll Spring            |
| 23 | 515523 | 1   | Bumper                | 59 | 515559 | 1   | Magazine (Left)        |
| 24 | 515524 | 1   | Housing               | 60 | 515560 | 2   | Lock Nut               |
| 25 | 515525 | 1   | End Cap Seal          | 61 | 515561 | 1   | Flat self-tapping Bolt |
| 26 | 577028 | 1   | End Cap               | 62 | 515562 | 1   | Pusher Upper seat      |
| 27 | 577029 | 1   | Air Plug              | 63 | 515563 | 1   | Push Button            |
| 28 | 515528 | 4   | Spring Pin            | 64 | 515564 | 1   | Spring                 |
| 29 | 515529 | 1   | Bumper Seal           | 65 | 515565 | 2   | UM. HD. Bolt           |
| 30 | 515530 | 1   | Depth of Drive A      | 66 | 515566 | 1   | Lower Plate            |
| 31 | 515531 | 1   | WCE Connector         | 67 | 515567 | 2   | Logo Label             |
| 32 | 403713 | 1   | E-Ring                | 68 | 577031 | 1   | Warning Label          |
| 33 | 515533 | 1   | Latch Spring Assembly | 69 | 577032 | 1   | Model Label            |
| 34 | 515534 | 1   | Latch                 | 70 | 515570 | 1   | Magazine Assembly      |
| 35 | 515535 | 1   | Spring Pin            | 71 | 515571 | 1   | Lock Label             |
| 36 | 515536 | 1   | Door                  |    |        |     |                        |