

Lindab

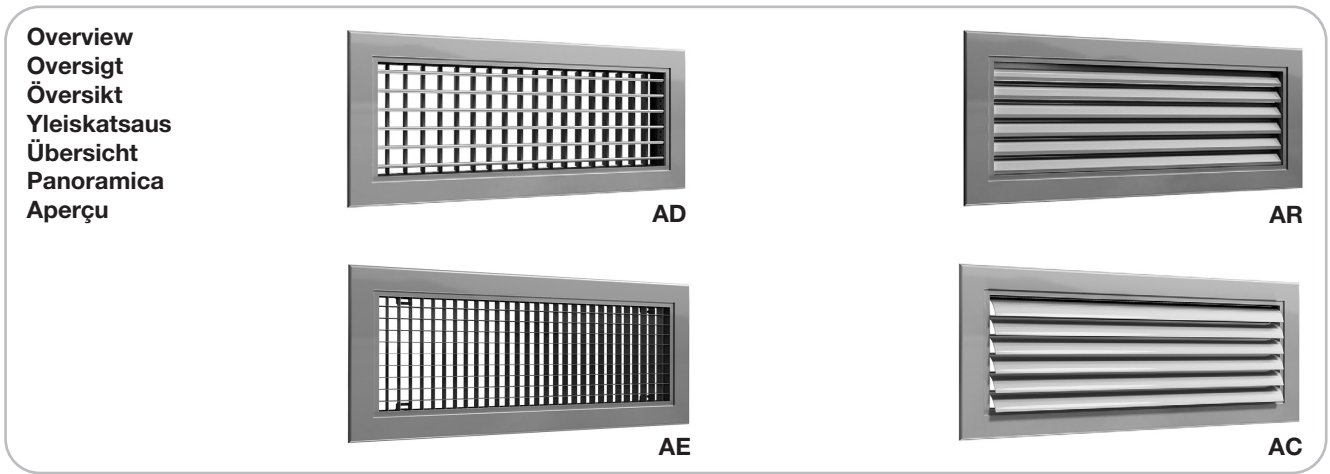
**AD, AR, AE, AC**  
(MFA / MFAN, DGA / DGAN)

Aluminium grilles - Installation instruction  
Aluminiums riste - Installations vejledning  
Aluminiumgaller - Montageinstruktion  
Alumiinisäleikot - Asennusohje  
Aluminium Lüftungsgitter - Montage Anweisung  
Griglie in alluminio - Istruzioni di montaggio  
Grilles en aluminium - Instructions de montage



# Installation instruction

# AD, AR, AE, AC



**Cutt-out dimensions**  
**Udskæringsmål**  
**Ursparning dimensioner**  
**Aukkomitat**  
**Aussparung**  
**Dimensione del foro**  
**Cote de réservation**

	AD				AR	AE				AC					
	11	12	21	22	11	11	12	11	12	13	14				
C/CN															
V															
H	•	•	•	•	-	•	-	•	•	•	•				
CM															
VM															
HM	•	•	•	•	-	•	-	•	•	•	•				
CMN															
VMN															
HMN	•	•	•	•	-	•	-	•	•	•	•				

- Ceilings / Loftet / Tak / Katot / Decken / Soffitti / Plafonds.
- Walls / Vægge / Väggar / Seinät / Wände / Pareti / Les Murs.
- Not possible / Ikke mulig / Inte tillgänglig / Ei mahdollinen / Nicht möglich / Non possibile / Pas possible.

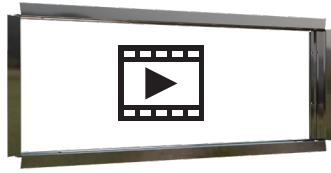
**Symbols**  
**Symboler**  
**Symboler**  
**Symbolit**  
**Symbole**  
**Simboli**  
**Symboles**

- Open damper / Åbent spjæld / Öppet spjäll / Säätöpelti auki / Geöffnete Drossel / Serranda aperta / Registre ouvert
- Closed damper / Lukket spjæld / Stängt spjäll / Suljettu säätöpelti / Geschlossene Drossel / Serranda chiusa / Registre fermé

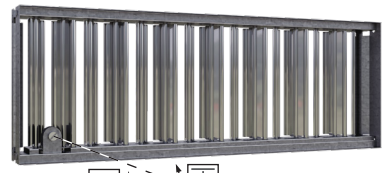
# Installation instruction

# AD, AR, AE, AC (MFA/MFAN, DGA/DGAN)

Accessories  
Tilbehør  
Tillbehör  
Lisävarusteet  
Zubehör  
Accessori  
Accessoires

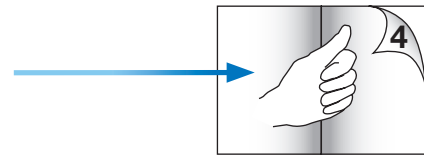


MFA/MFAN

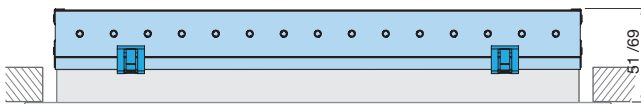
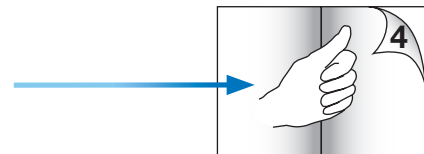
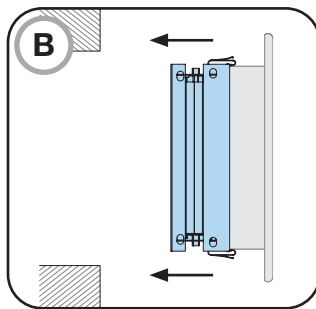
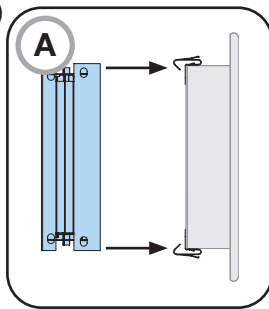


DGA/DGAN

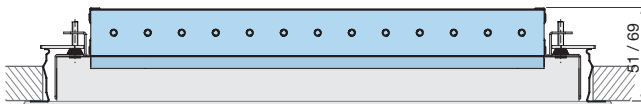
## MFA/MFAN (M)



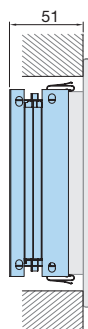
## DGA/DGAN (D/DN)



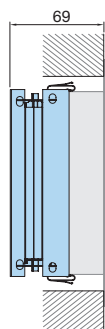
C/CN, V, CM, VM, CMN, VMN (AD, AR, AE, AC)



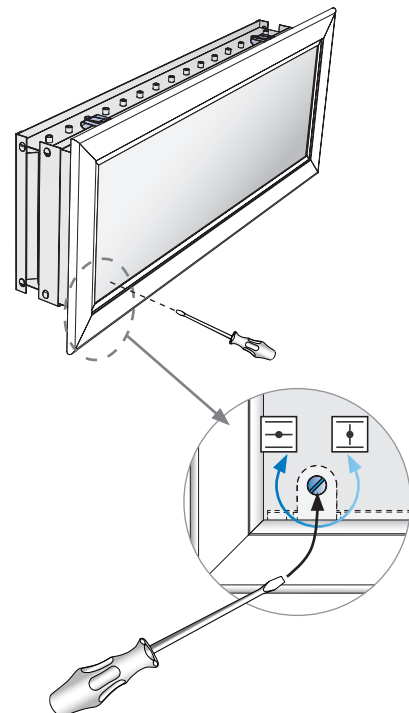
H, HM, HMN (AD, AE-11, AC)



AD-11, 12  
AR-11  
AE-11, 12  
AC -11, 12, 13, 14

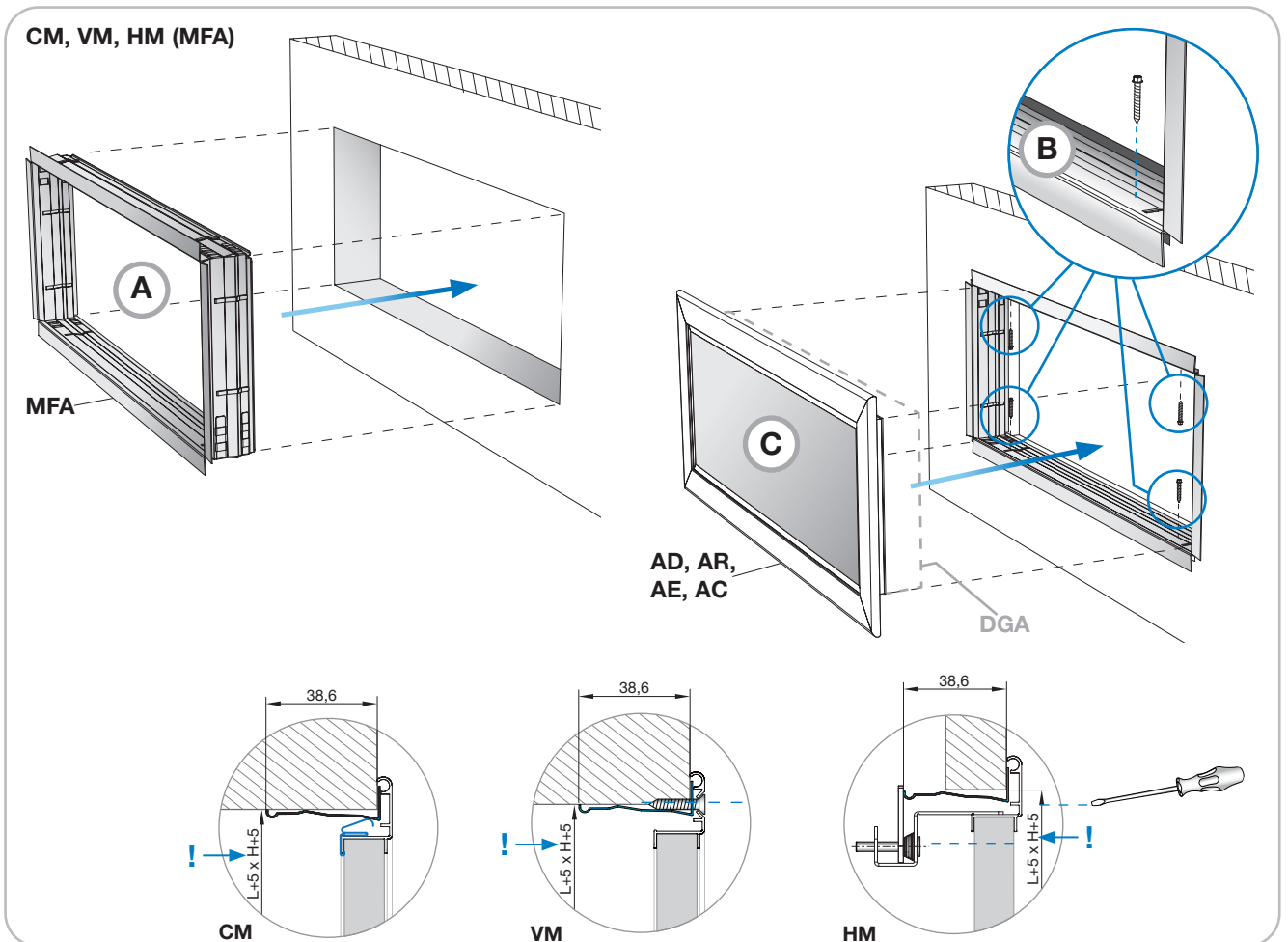
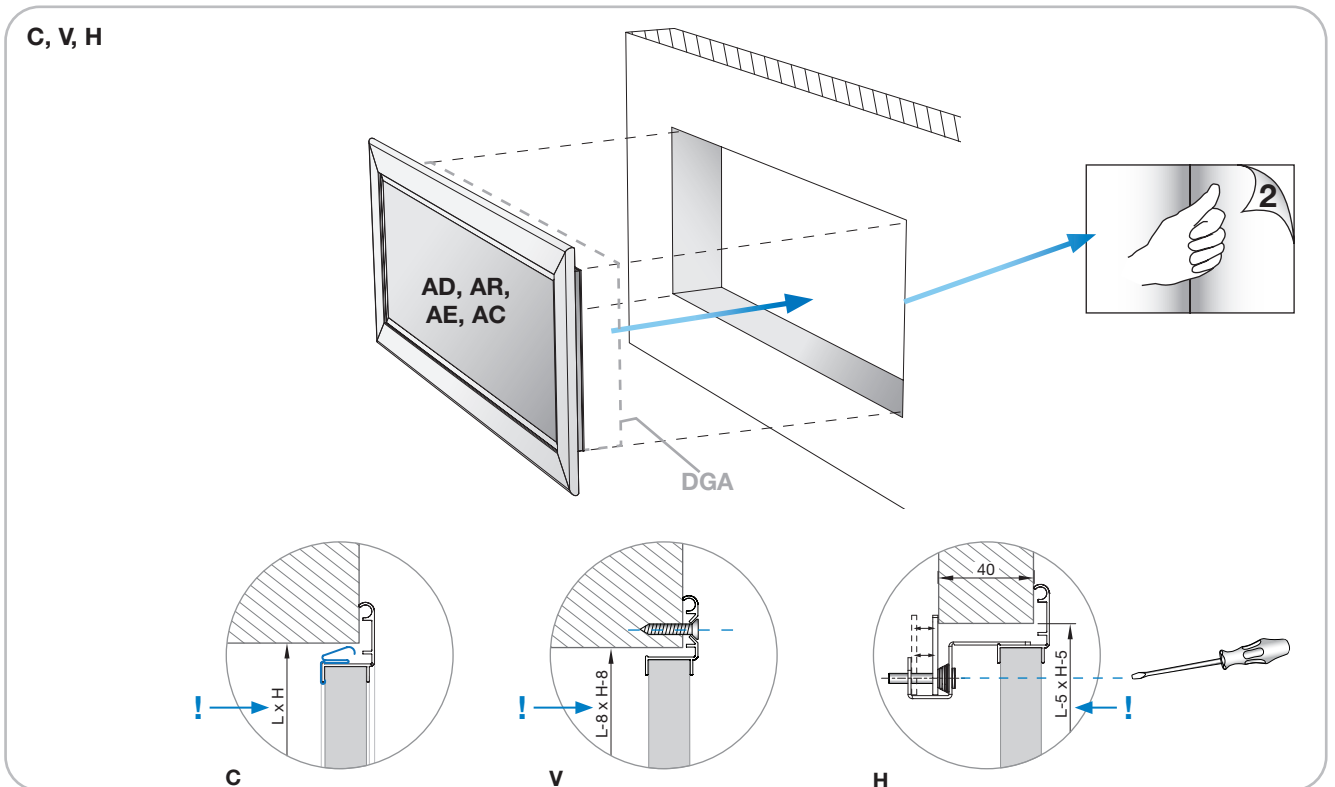


AD-21, 22



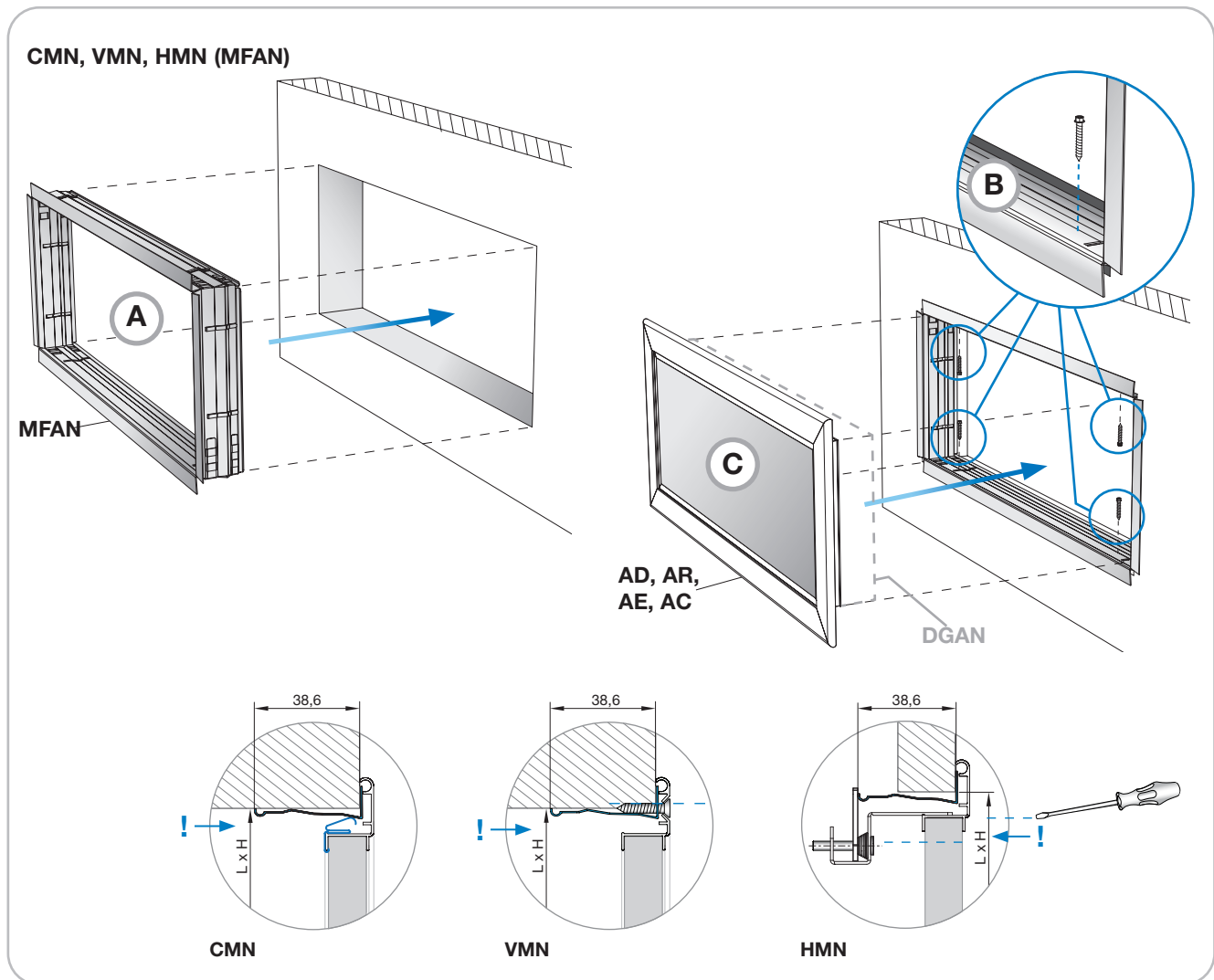
# Installation instruction

# AD, AR, AE, AC



# Installation instruction

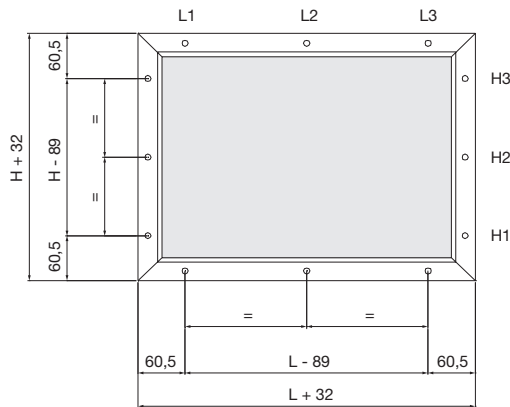
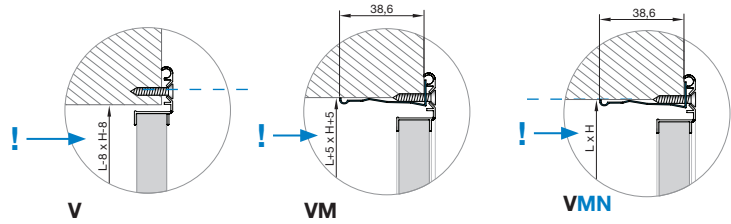
# AD, AR, AE, AC



# Installation instruction

# AD, AR, AE, AC

Number of Visible screw holes  
 Antal synlige skruehuller  
 Antal synliga skruvhål  
 Number of Visible screw holes -FIN  
 Anzahl sichtbare Schraubenlöcher  
 Numero di fori visibili  
 Nombre de trous pour vis visibles



### AD, AR, AE, AC (L x H)

Nominal dimensions / Nominelle dimensioner / Nominella dimensioner / Nimelliskoko /  
 Nominelle Dimensionen / Dimensioni nominali / Dimensions nominales

#### L ≤ 400 mm

L mm	L1	L2	L3	H mm		
				H1	H2	H3
100 - 400 *				75 - 300 **		•
				400 - 700	•	•
				800 - 1400 ***	•	•

\* AC: Min. L = 200 mm

\*\* AC-11 / AC-13 : Min. H = 100 mm  
 AC-12 / AC-14 : Min. H = 150 mm

\*\*\* AR, AE, AC : Max. H = 1200 mm

#### L > 400 mm

L mm	L1	L2	L3	H mm			
				H1	H2	H3	
500 - 700	•	•	•		•		
800 - 1500 *	•	•	•	75 - 500 **			
				600 - 900	•	•	
				1000 - 1500 ***	•	•	•

\* AR, AE, AC: Max. L = 1200 mm  
 AD : Max. L = 1500 mm

\*\* AC-11 / AC-13 : Min. H = 100 mm  
 AC-12 / AC-14 : Min. H = 150 mm

\*\*\* AR, AE, AC : Max. H = 1200 mm

# Installation instruction

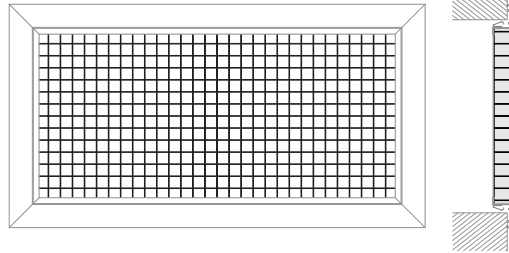
# AD, AR, AE, AC

**Fixed blades**  
**Faste lameller**  
**Fasta lameller**  
**Kiinteät säleet**  
**Feststehenden Lamellen**  
**Alette fisse**  
**Lamelles fixes**

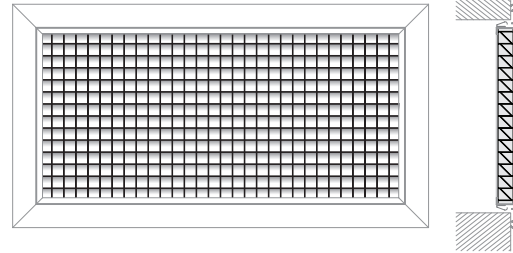
AR-11



AE-11



AE-12

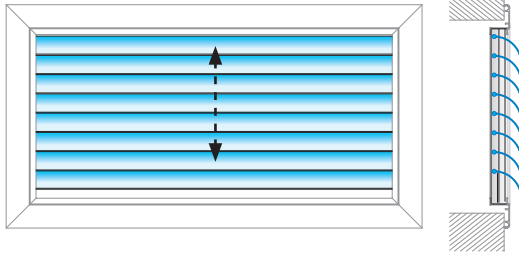


# Installation instruction

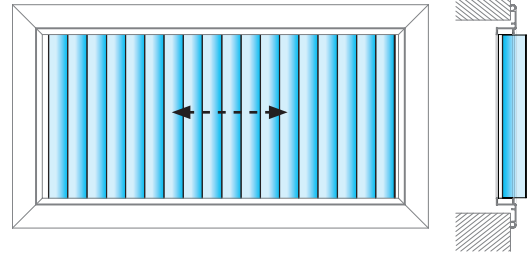
# AD, AR, AE, AC

Adjustable blades  
 Justerbare lameller  
 Ställbara lameller  
 Säädettävät säleät  
 Einstellbaren Lamellen  
 Alette regolabili  
 Ailettes réglables

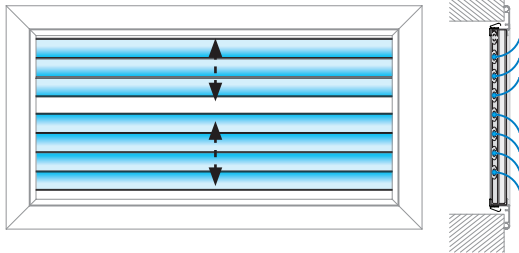
AC-11



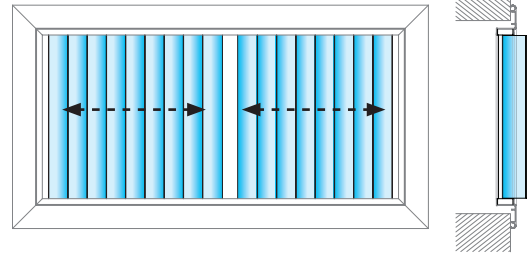
AC-12



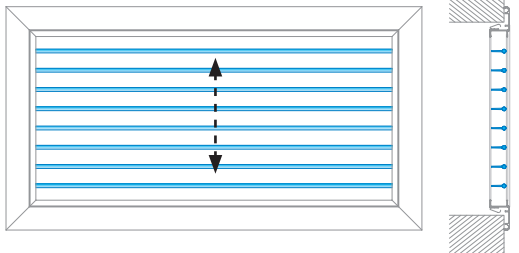
AC-13



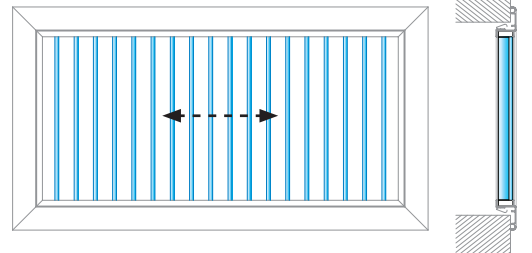
AC-14



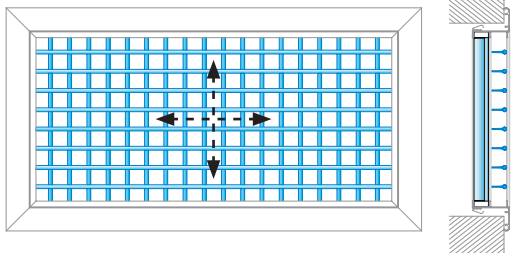
AD-11



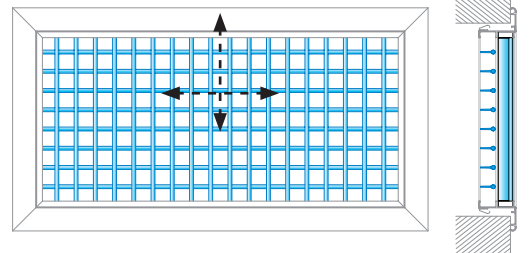
AD-12



AD-21



AD-22







Most of us spend the majority of our time indoors. Indoor climate is crucial to how we feel, how productive we are and if we stay healthy.

We at Lindab have therefore made it our most important objective to contribute to an indoor climate that improves people's lives. We do this by developing energy-efficient ventilation solutions and durable building products. We also aim to contribute to a better climate for our planet by working in a way that is sustainable for both people and the environment.

[Lindab](#) | For a better climate