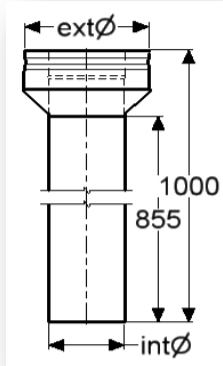
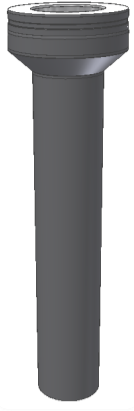


## Startrør, startkopling og overgang

### Uisolert startrør med overgang til helisolert

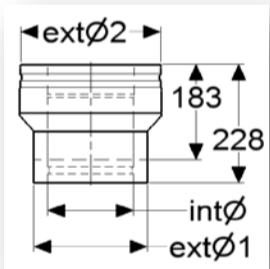


int Ø mm	130	150	180	200
ext Ø mm	230	250	280	300
Weight (kg)	3,52	4,04	4,82	5,33
<b>BLACK (RAL 9005)</b>				
EAN 444	4051921057648	4051921057655	4051921057662	4051921057679
EAN 316L	4051921054692	4051921054708	4051921057464	4051921054715
Code 444	650144130	650144150	650144180	650144200
Code 316L	8320213065	8320215065	8320218065	8320220065
S Code 444	979291131	979291151	979291181	979291201
S Code 316L	977291131	977291151	977291181	977291201
<b>GREY (NCS 7500)</b>				
EAN 444	4051921057686	4051921057693	4051921057709	4051921057716
EAN 316L	4051921057471	4051921057488	4051921057495	4051921057501
Code 444	650145130	650145150	650145180	650145200
Code 316L	8320313065	8320315065	8320318065	8320320065
S Code 444	979291132	979291152	979291182	979291202
S Code 316L	977291132	977291152	977291182	977291202
<b>WHITE (RAL 9016)</b>				
EAN 444	4051921057723	4051921057730	4051921057747	4051921057754
EAN 316L	4051921057518	4051921057525	4051921057532	4051921057549
Code 444	650146130	650146150	650146180	650146200
Code 316L	8320413065	8320415065	8320418065	8320420065
S Code 444	979291133	979291153	979291183	979291203
S Code 316L	977291133	977291153	977291183	977291203
Carton Quantity	1	1	1	1
Pallet Quantity	N/A	N/A	N/A	N/A

Application:

This adaptor provides a longer SW connection through to Perimeter. The SW part is painted with High Temperature resistant suitable for use at up to 600°C.

### Overgang halvisolert/helisolert

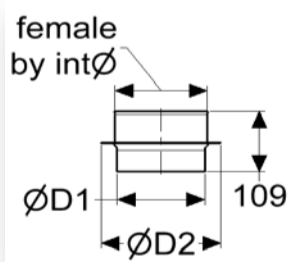
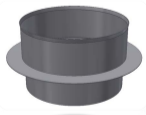


int Ø mm	130	150	180	200
ext Ø1 mm	180	200	230	250
ext Ø2 mm	230	250	280	300
Weight (kg)	2,09	2,23	2,61	2,87
<b>BLACK (RAL 9005)</b>				
EAN 444	4051921055125	4051921055132	4051921055149	4051921055156
EAN 316L	4051921054487	4051921054494	4051921063519	4051921063526
Code 444	640244130	640244150	640244180	640244200
Code 316L	640214130	640214150	640214180	640214200
S Code 444	979023131	979023151	979023181	979023201
S Code 316L	977023131	977023151	977023181	977023201
<b>GREY (NCS 7500)</b>				
EAN 444	4051921055163	4051921055170	4051921055187	4051921055194
EAN 316L	4051921063533	4051921063540	4051921063557	4051921063564
Code 444	640245130	640245150	640245180	640245200
Code 316L	640215130	640215150	640215180	640215200
S Code 444	979023132	979023152	979023182	979023202
S Code 316L	977023132	977023152	977023182	977023202
<b>WHITE (RAL 9016)</b>				
EAN 444	4051921055200	4051921055217	4051921055224	4051921055231
EAN 316L	4051921063571	4051921063588	4051921063595	4051921063601
Code 444	640246130	640246150	640246180	640246200
Code 316L	640216130	640216150	640216180	640216200
S Code 444	979023133	979023153	979023183	979023203
S Code 316L	977023133	977023153	977023183	977023203
Carton Quantity	1	1	1	1
Pallet Quantity	N/A	N/A	N/A	N/A

Application:

This adaptor provides a connection from Double Wall 25 to Double Wall 50 range

### Startkopling



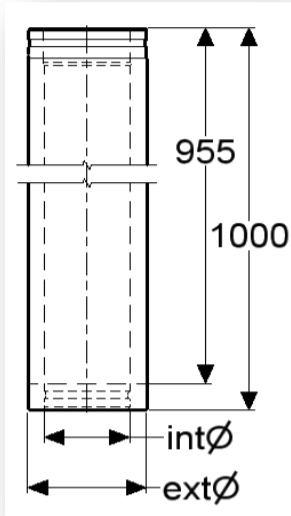
int Ø mm	130	150	180	200
ØD1 mm	125	145	175	195
ØD2 mm	228	248	278	298
Weight (kg)	0,43	0,49	0,58	0,64
EAN	4051921063311	4051921063328	4051921063335	4051921063342
Code	8461113085	8461115085	8461118085	8461120085
S Code	681004017	681004020	681004027	681004028
Carton Quantity	1	1	1	1
Pallet Quantity	N/A	N/A	N/A	N/A

Application:

This is an uninsulated item, which connects directly into the appliance spigot. The steel ring blocks off the insulation of the next PMS component.

# Rørlengder

## 1000mm pipe

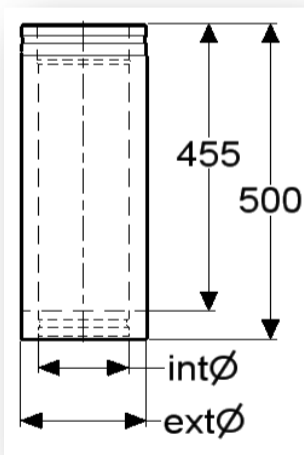


	130	150	180	200
int Ø mm	130	150	180	200
ext Ø mm	230	250	280	300
Weight (kg)	9,40	10,61	12,06	13,02
<b>BLACK (RAL 9005)</b>				
EAN 444	4051921057761	4051921057778	4051921057785	4051921057792
EAN 316L	4051921054425	4051921054432	4051921066152	4051921054586
Code 444	650344130	650344150	650344180	650344200
Code 316L	8180213065	8180215065	8180218065	8180220065
S Code 444	979009131	979009151	979009181	979009201
S Code 316L	977009131	977009151	977009181	977009201
<b>GREY (NCS 7500)</b>				
EAN 444	4051921057808	4051921057815	4051921057822	4051921057839
EAN 316L	4051921066176	4051921066183	4051921066190	4051921066206
Code 444	650345130	650345150	650345180	650345200
Code 316L	8180313065	8180315065	8180318065	8180320065
S Code 444	979009132	979009152	979009182	979009202
S Code 316L	977009132	977009152	977009182	977009202
<b>WHITE (RAL 9016)</b>				
EAN 444	4051921057846	4051921057853	4051921057860	4051921057877
EAN 316L	4051921066213	4051921066220	4051921066237	4051921066244
Code 444	650346130	650346150	650346180	650346200
Code 316L	8180413065	8180415065	8180418065	8180420065
S Code 444	979009133	979009153	979009183	979009203
S Code 316L	977009133	977009153	977009183	977009203
Carton Quantity	1	1	1	1
Pallet Quantity	N/A	N/A	N/A	N/A

Application:

This item is the longest available pipe length in the Low profile range.

## 500mm pipe



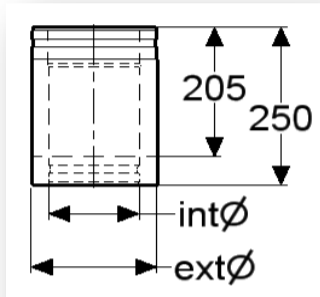
	130	150	180	200
int Ø mm	130	150	180	200
ext Ø mm	230	250	280	300
Weight (kg)	4,73	5,33	6,06	6,54
<b>BLACK (RAL 9005)</b>				
EAN 444	4051921057884	4051921057891	4051921057907	4051921057914
EAN 316L	4051921054449	4051921054456	4051921057556	4051921054593
Code 444	650444130	650444150	650444180	650444200
Code 316L	8190213065	8190215065	8190218065	8190220065
S Code 444	979011131	979011151	979011181	979011201
S Code 316L	977011131	977011151	977011181	977011201
<b>GREY (NCS 7500)</b>				
EAN 444	4051921057921	4051921057938	4051921057945	4051921057952
EAN 316L	4051921066299	4051921066305	4051921066312	4051921066329
Code 444	650445130	650445150	650445180	650445200
Code 316L	8190313065	8190315065	8190318065	8190320065
S Code 444	979011132	979011152	979011182	979011202
S Code 316L	977011132	977011152	977011182	977011202
<b>WHITE (RAL 9016)</b>				
EAN 444	4051921057969	4051921057976	4051921057983	4051921057990
EAN 316L	4051921066336	4051921066343	4051921066350	4051921066367
Code 444	650446130	650446150	650446180	650446200
Code 316L	8190413065	8190415065	8190418065	8190420065
S Code 444	979011133	979011153	979011183	979011203
S Code 316L	977011133	977011153	977011183	977011203
Carton Quantity	1	1	1	1
Pallet Quantity	N/A	N/A	N/A	N/A

Application:

This item is the medium available pipe length in the Low profile range.

# Rørlengder

## 250mm pipe



	130	150	180	200
int Ø mm	130	150	180	200
ext Ø mm	230	250	280	300
Weight (kg)	2,39	2,69	3,06	3,30

### BLACK (RAL 9005)

EAN 444	4051921058003	4051921058010	4051921058027	4051921058034
EAN 316L	4051921054463	4051921054470	4051921066398	4051921054609
Code 444	650544130	650544150	650544180	650544200
Code 316L	8200213065	8200215065	8200218065	8200220065
S Code 444	979012131	979012151	979012181	979012201
S Code 316L	977012131	977012151	977012181	977012201

### GREY (NCS 7500)

EAN 444	4051921058041	4051921058058	4051921058065	4051921058072
EAN 316L	4051921066411	4051921066428	4051921066435	4051921066442
Code 444	650545130	650545150	650545180	650545200
Code 316L	8200313065	8200315065	8200318065	8200320065
S Code 444	979012132	979012152	979012182	979012202
S Code 316L	977012132	977012152	977012182	977012202

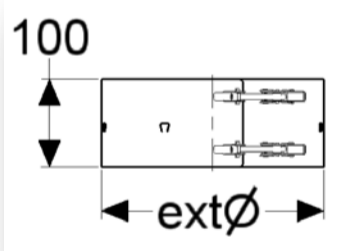
### WHITE (RAL 9016)

EAN 444	4051921058089	4051921058096	4051921058102	4051921058119
EAN 316L	4051921066459	4051921066466	4051921066473	4051921066480
Code 444	650546130	650546150	650546180	650546200
Code 316L	8200413065	8200415065	8200418065	8200420065
S Code 444	979012133	979012153	979012183	979012203
S Code 316L	977012133	977012153	977012183	977012203
Carton Quantity	1	1	1	1
Pallet Quantity	N/A	N/A	N/A	N/A

Application:

This item is the second shortest pipe length in the Low profile range.

## Låsebånd



	130	150	180	200
int Ø mm	130	150	180	200
ext Ø mm	230	250	280	300
Weight (kg)	0,39	0,41	0,45	0,48

### BLACK (RAL 9005)

EAN	4051921057303	4051921057310	4051921057327	4051921057334
Code	642004230	642004250	642004280	642004300
S Code	978087181	978087201	978087231	978087251

### GREY (NCS 7500)

EAN	4051921057365	4051921057372	4051921057389	4051921057396
Code	642005230	642005250	642005280	642005300
S Code	978087182	978087202	978087232	978087252

### WHITE (RAL 9016)

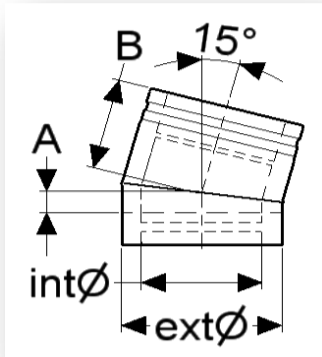
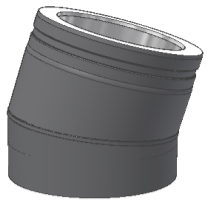
EAN	4051921057426	4051921057433	4051921057440	4051921057457
Code	642006230	642006250	642006280	642006300
S Code	978087183	978087203	978087233	978087253
Carton Quantity	1	1	1	1
Pallet Quantity	N/A	N/A	N/A	N/A

Application:

Locking bands orientation during installation : slots on the locking band must be oriented with longer side up ( following flow direction )

# Rørbend

## 15° bend

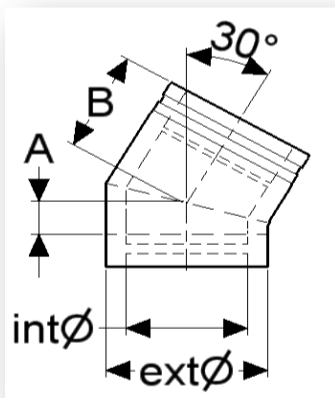
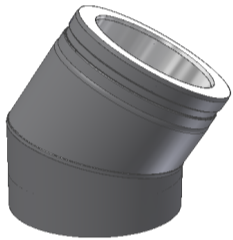


int Ø mm	130	150	180	200
ext Ø mm	230	250	280	300
A	27	27	42	42
B	122	122	132	132
Weight (kg)	2,06	2,32	2,63	2,97
<b>BLACK (RAL 9005)</b>				
EAN 444	4051921058126	4051921058133	4051921058140	4051921058157
EAN 316L	4051921054623	4051921054647	4051921066510	4051921066527
Code 444	650644130	650644150	650644180	650644200
Code 316L	8220213065	8220215065	8220218065	8220220065
S Code 444	979015131	979015151	979015181	979015201
S Code 316L	977015131	977015151	977015181	977015201
<b>GREY (NCS 7500)</b>				
EAN 444	4051921058164	4051921058171	4051921058188	4051921058195
EAN 316L	4051921066534	4051921066541	4051921066558	4051921066565
Code 444	650645130	650645150	650645180	650645200
Code 316L	8220313065	8220315065	8220318065	8220320065
S Code 444	979015132	979015152	979015182	979015202
S Code 316L	977015132	977015152	977015182	977015202
<b>WHITE (RAL 9016)</b>				
EAN 444	4051921058201	4051921058218	4051921058225	4051921058232
EAN 316L	4051921066572	4051921066589	4051921066596	4051921066602
Code 444	650646130	650646150	650646180	650646200
Code 316L	8220413065	8220415065	8220418065	8220420065
S Code 444	979015133	979015153	979015183	979015203
S Code 316L	977015133	977015153	977015183	977015203
Carton Quantity	1	1	1	1
Pallet Quantity	N/A	N/A	N/A	N/A

Application:

This item is used to provide a change of direction.

## 30° bend



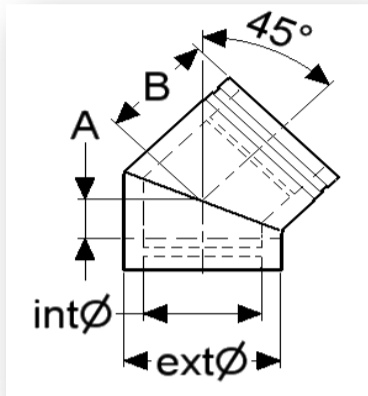
int Ø mm	130	150	180	200
ext Ø mm	230	250	280	300
A	52	52	52	52
B	147	147	147	147
Weight (kg)	2,34	2,64	3,12	3,50
<b>BLACK (RAL 9005)</b>				
EAN 444	4051921058249	4051921058256	4051921058263	4051921058270
EAN 316L	4051921054616	4051921054630	4051921066633	4051921066640
Code 444	650744130	650744150	650744180	650744200
Code 316L	8230213065	8230215065	8230218065	8230220065
S Code 444	979030131	979030151	979030181	979030201
S Code 316L	977030131	977030151	977030181	977030201
<b>GREY (NCS 7500)</b>				
EAN 444	4051921058287	4051921058294	4051921058300	4051921058317
EAN 316L	4051921066657	4051921066664	4051921066671	4051921066688
Code 444	650745130	650745150	650745180	650745200
Code 316L	8230313065	8230315065	8230318065	8230320065
S Code 444	979030132	979030152	979030182	979030202
S Code 316L	977030132	977030152	977030182	977030202
<b>WHITE (RAL 9016)</b>				
EAN 444	4051921058324	4051921058331	4051921058348	4051921058355
EAN 316L	4051921066695	4051921066701	4051921066718	4051921066725
Code 444	650746130	650746150	650746180	650746200
Code 316L	8230413065	8230415065	8230418065	8230420065
S Code 444	979030133	979030153	979030183	979030203
S Code 316L	977030133	977030153	977030183	977030203
Carton Quantity	1	1	1	1
Pallet Quantity	N/A	N/A	N/A	N/A

Application:

This item is used to provide a change of direction.

# Rørbend

## 45° bend

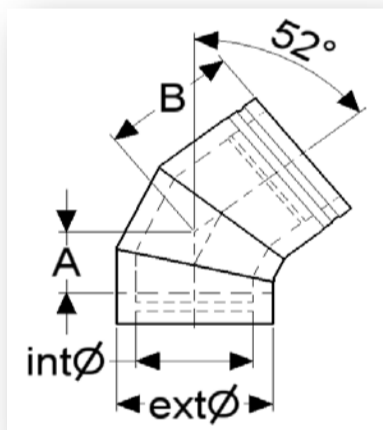


int Ø mm	130	150	180	200
ext Ø mm	230	250	280	300
A	67	67	77	77
B	157	157	172	172
Weight (kg)	2,75	3,08	3,62	4,03
<b>BLACK (RAL 9005)</b>				
EAN 444	4051921058362	4051921058379	4051921058386	4051921058393
EAN 316L	4051921054500	4051921054517	4051921066756	4051921054654
Code 444	650844130	650844150	650844180	650844200
Code 316L	8240213065	8240215065	8240218065	8240220065
S Code 444	979045131	979045151	979045181	979045201
S Code 316L	977045131	977045151	977045181	977045201
<b>GREY (NCS 7500)</b>				
EAN 444	4051921058409	4051921058416	4051921058423	4051921058430
EAN 316L	4051921061492	4051921061478	4051921066794	4051921066800
Code 444	650845130	650845150	650845180	650845200
Code 316L	8240313065	8240315065	8240318065	8240320065
S Code 444	979045132	979045152	979045182	979045202
S Code 316L	977045132	977045152	977045182	977045202
<b>WHITE (RAL 9016)</b>				
EAN 444	4051921058447	4051921058454	4051921058461	4051921058478
EAN 316L	4051921066817	4051921066824	4051921066831	4051921066848
Code 444	650846130	650846150	650846180	650846200
Code 316L	8240413065	8240415065	8240418065	8240420065
S Code 444	979045133	979045153	979045183	979045203
S Code 316L	977045133	977045153	977045183	977045203
Carton Quantity	1	1	1	1
Pallet Quantity	N/A	N/A	N/A	N/A

Application:

This item is used to provide a change of direction.

## 52° bend



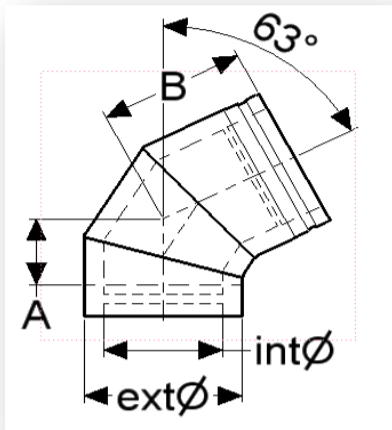
int Ø mm	130	150	180	200
ext Ø mm	230	250	280	300
A	90	95	99	104
B	184	190	195	201
Weight (kg)	2,81	3,24	3,85	4,30
<b>BLACK (RAL 9005)</b>				
EAN 444	4051921058485	4051921058492	4051921058508	4051921058515
EAN 316L	4051921066855	4051921066862	4051921066879	4051921066886
Code 444	650944130	650944150	650944180	650944200
Code 316L	650914130	650914150	650914180	650914200
S Code 444	979052131	979052151	979052181	979052201
S Code 316L	977052131	977052151	977052181	977052201
<b>GREY (NCS 7500)</b>				
EAN 444	4051921058522	4051921058539	4051921058546	4051921058553
EAN 316L	4051921066893	4051921066909	4051921066916	4051921066923
Code 444	650945130	650945150	650945180	650945200
Code 316L	650915130	650915150	650915180	650915200
S Code 444	979052132	979052152	979052182	979052202
S Code 316L	977052132	977052152	977052182	977052202
<b>WHITE (RAL 9016)</b>				
EAN 444	4051921058560	4051921058577	4051921058584	4051921058591
EAN 316L	4051921066930	4051921066947	4051921066954	4051921066961
Code 444	650946130	650946150	650946180	650946200
Code 316L	650916130	650916150	650916180	650916200
S Code 444	979052133	979052153	979052183	979052203
S Code 316L	977052133	977052153	977052183	977052203
Carton Quantity	1	1	1	1
Pallet Quantity	N/A	N/A	N/A	N/A

Application:

This item is used to provide a change of direction.

# Rørbend

## 63° bend

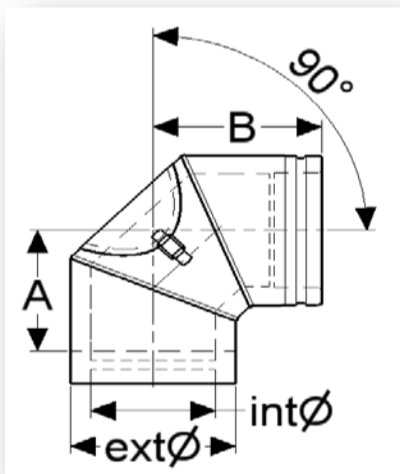


int Ø mm	130	150	180	200
ext Ø mm	230	250	280	300
A	102	108	119	124
B	198	203	214	220
Weight (kg)	2,98	3,41	4,14	4,55
<b>BLACK (RAL 9005)</b>				
EAN 444	4051921058607	4051921058614	4051921058621	4051921058638
EAN 316L	4051921066978	4051921066985	4051921066992	4051921067005
Code 444	651044130	651044150	651044180	651044200
Code 316L	651014130	651014150	651014180	651014200
S Code 444	979063131	979063151	979063181	979063201
S Code 316L	977063131	977063151	977063181	977063201
<b>GREY (NCS 7500)</b>				
EAN 444	4051921058645	4051921058652	4051921058669	4051921058676
EAN 316L	4051921067012	4051921067029	4051921067036	4051921067043
Code 444	651045130	651045150	651045180	651045200
Code 316L	651015130	651015150	651015180	651015200
S Code 444	979063132	979063152	979063182	979063202
S Code 316L	977063132	977063152	977063182	977063202
<b>WHITE (RAL 9016)</b>				
EAN 444	4051921058683	4051921058690	4051921058706	4051921058713
EAN 316L	4051921067050	4051921067067	4051921067074	4051921067081
Code 444	651046130	651046150	651046180	651046200
Code 316L	651016130	651016150	651016180	651016200
S Code 444	979063133	979063153	979063183	979063203
S Code 316L	977063133	977063153	977063183	977063203
Carton Quantity	1	1	1	1
Pallet Quantity	N/A	N/A	N/A	N/A

Application:

This item is used to provide a change of direction.

## 90° bend med luke



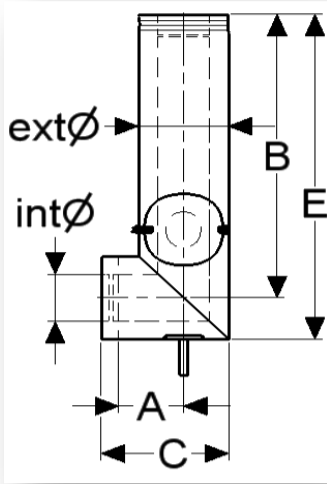
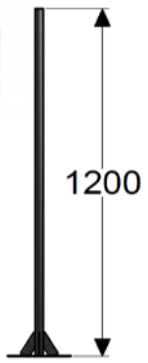
int Ø mm	130	150	180	200
ext Ø mm	230	250	280	300
A	176	188	204	212
B	220	232	248	256
Weight (kg)	3,28	3,90	5,03	5,56
<b>BLACK (RAL 9005)</b>				
EAN 444	4051921058720	4051921058737	4051921058744	4051921058751
EAN 316L	4051921067098	4051921067104	4051921067111	4051921062826
Code 444	651144130	651144150	651144180	651144200
Code 316L	8280213065	8280215065	8280218065	8280220065
S Code 444	979099131	979099151	979099181	979099201
S Code 316L	977099131	977099151	977099181	977099201
<b>GREY (NCS 7500)</b>				
EAN 444	4051921058768	4051921058775	4051921058782	4051921058799
EAN 316L	4051921067135	4051921067142	4051921067159	4051921067166
Code 444	651145130	651145150	651145180	651145200
Code 316L	8280313065	8280315065	8280318065	8280320065
S Code 444	979099132	979099152	979099182	979099202
S Code 316L	977099132	977099152	977099182	977099202
<b>WHITE (RAL 9016)</b>				
EAN 444	4051921058805	4051921058812	4051921058829	4051921058836
EAN 316L	4051921067173	4051921067180	4051921067197	4051921067203
Code 444	651146130	651146150	651146180	651146200
Code 316L	8280413065	8280415065	8280418065	8280420065
S Code 444	979099133	979099153	979099183	979099203
S Code 316L	977099133	977099153	977099183	977099203
Carton Quantity	1	1	1	1
Pallet Quantity	N/A	N/A	N/A	N/A

Application:

This item is used to provide a change of direction.

# T-rør

## L-rør med støtteben



	130	150	180	200
int Ø mm	130	150	180	200
ext Ø mm	230	250	280	300
A	165	170	185	195
B	789	784	769	759
C	325	340	370	390
E	904	909	909	909
Weight (kg)	10,85	11,96	13,44	14,44

### BLACK (RAL 9005)

EAN 444	4051921058843	4051921058850	4051921058867	4051921058874
EAN 316L	4051921054661	4051921054678	4051921067234	4051921054685
Code 444	651244130	651244150	651244180	651244200
Code 316L	8490213065	8490215065	8490218065	8490220065
S Code 444	979042131	979042151	979042181	979042201
S Code 316L	977042131	977042151	977042181	977042201

### GREY (NCS 7500)

EAN 444	4051921058881	4051921058898	4051921058904	4051921058911
EAN 316L	4051921067258	4051921067265	4051921067272	4051921067289
Code 444	651245130	651245150	651245180	651245200
Code 316L	8490313065	8490315065	8490318065	8490320065
S Code 444	979042132	979042152	979042182	979042202
S Code 316L	977042132	977042152	977042182	977042202

### WHITE (RAL 9016)

EAN 444	4051921058928	4051921058935	4051921058942	4051921058959
EAN 316L	4051921067296	4051921067302	4051921067319	4051921067326
Code 444	651246130	651246150	651246180	651246200
Code 316L	8490413065	8490415065	8490418065	8490420065
S Code 444	979042133	979042153	979042183	979042203
S Code 316L	977042133	977042153	977042183	977042203

Carton Quantity

1

1

1

1

Pallet Quantity

N/A

N/A

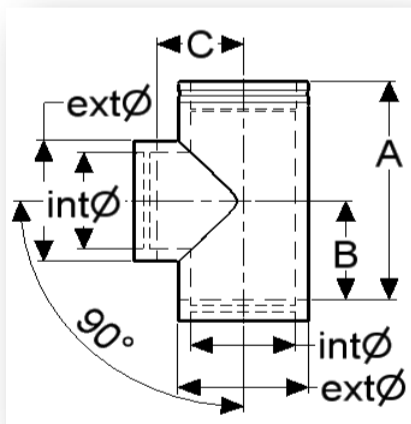
N/A

N/A

Application:

This item is used as a multifunctional base connecting T-piece with a chimney inspection.

## 90° T-rør



	130	150	180	200
int Ø mm	130	150	180	200
ext Ø mm	230	250	280	300
A	455	455	455	455
B	205	205	205	205
C	155	165	180	190
Weight (kg)	6,23	7,00	7,98	8,62

### BLACK (RAL 9005)

EAN 444	4051921058966	4051921058973	4051921058980	4051921058997
EAN 316L	4051921054722	4051921054739	4051921067357	4051921054746
Code 444	651344130	651344150	651344180	651344200
Code 316L	8150213065	8150215065	8150218065	8150220065
S Code 444	979043131	979043151	979043181	979043201
S Code 316L	977043131	977043151	977043181	977043201

### GREY (NCS 7500)

EAN 444	4051921059000	4051921059017	4051921059024	4051921059031
EAN 316L	4051921067371	4051921067388	4051921067395	4051921067401
Code 444	651345130	651345150	651345180	651345200
Code 316L	8150313065	8150315065	8150318065	8150320065
S Code 444	979043132	979043152	979043182	979043202
S Code 316L	977043132	977043152	977043182	977043202

### WHITE (RAL 9016)

EAN 444	4051921059048	4051921059055	4051921059062	4051921059079
EAN 316L	4051921067418	4051921067425	4051921067432	4051921067449
Code 444	651346130	651346150	651346180	651346200
Code 316L	8150413065	8150415065	8150418065	8150420065
S Code 444	979043133	979043153	979043183	979043203
S Code 316L	977043133	977043153	977043183	977043203

Carton Quantity

1

1

1

1

Pallet Quantity

N/A

N/A

N/A

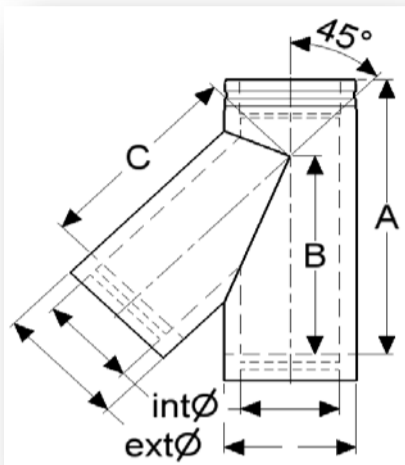
N/A

Application:

This item is used to connect from the connecting flue pipe to the vertical chimney.

# T-rør

## 45° T-rør



int Ø mm	130	150	180	200
ext Ø mm	230	250	280	300
A	455	530	530	560
B	322	378	393	413
C	325	376	390	410
Weight (kg)	7,65	8,61	10,59	11,90

### BLACK (RAL 9005)

EAN 444	4051921059086	4051921059093	4051921059109	4051921059116
EAN 316L	4051921067456	4051921067463	4051921067470	4051921067487
Code 444	651444130	651444150	651444180	651444200
Code 316L	651414130	651414150	651414180	651414200
S Code 444	979044131	979044151	979044181	979044201
S Code 316L	977044131	977044151	977044181	977044201

### GREY (NCS 7500)

EAN 444	4051921059123	4051921059130	4051921059147	4051921059154
EAN 316L	4051921067494	4051921067500	4051921067517	4051921067524
Code 444	651445130	651445150	651445180	651445200
Code 316L	651415130	651415150	651415180	651415200
S Code 444	979044132	979044152	979044182	979044202
S Code 316L	977044132	977044152	977044182	977044202

### WHITE (RAL 9016)

EAN 444	4051921059161	4051921059178	4051921059185	4051921059192
EAN 316L	4051921067531	4051921067548	4051921067555	4051921067562
Code 444	651446130	651446150	651446180	651446200
Code 316L	651416130	651416150	651416180	651416200
S Code 444	979044133	979044153	979044183	979044203
S Code 316L	977044133	977044153	977044183	977044203

Carton Quantity

1

1

1

1

Pallet Quantity

N/A

N/A

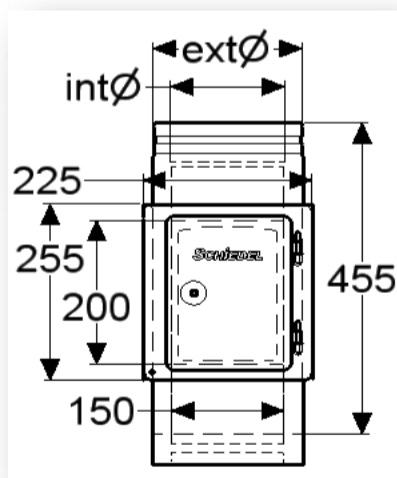
N/A

N/A

Application:

This item is used in combination with a 45 degree elbow to connect from the connecting flue pipe to the vertical chimney. It provides the least resistance to the flow of the flue gases.

## Sotlukerør



int Ø mm	130	150	180	200
ext Ø mm	230	250	280	300
Weight (kg)	6,82	7,43	8,09	8,59

### BLACK (RAL 9005)

EAN 444	4051921059208	4051921059215	4051921059222	4051921059239
EAN 316L	4051921054814	4051921054821	4051921067593	4051921054838
Code 444	651544130	651544150	651544180	651544200
Code 316L	8130213065	8130215065	8130218065	8130220065
S Code 444	979041131	979041151	979041181	979041201
S Code 316L	977041131	977041151	977041181	977041201

### GREY (NCS 7500)

EAN 444	4051921059246	4051921059253	4051921059260	4051921059277
EAN 316L	4051921067616	4051921067623	4051921067630	4051921067647
Code 444	651545130	651545150	651545180	651545200
Code 316L	8130313065	8130315065	8130318065	8130320065
S Code 444	979041132	979041152	979041182	979041202
S Code 316L	977041132	977041152	977041182	977041202

### WHITE (RAL 9016)

EAN 444	4051921059284	4051921059291	4051921059307	4051921059314
EAN 316L	4051921067654	4051921067661	4051921067678	4051921067685
Code 444	651546130	651546150	651546180	651546200
Code 316L	8130413065	8130415065	8130418065	8130420065
S Code 444	979041133	979041153	979041183	979041203
S Code 316L	977041133	977041153	977041183	977041203

Carton Quantity

1

1

1

1

Pallet Quantity

N/A

N/A

N/A

N/A

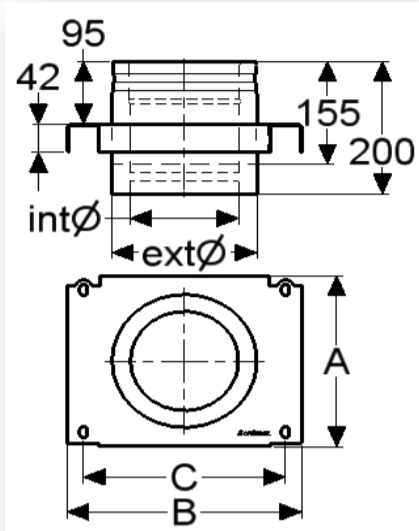
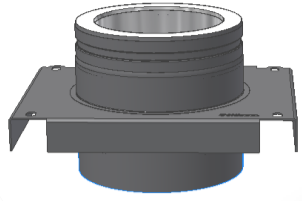
Application:

This item is used to provide an inspection or cleaning access on Dry or FU applications under negative pressure conditions (N1). The Inspection Box is DW insulated & has an inner door..



# Fundamentplate og veggkonsoll

## Fundamentplate og veggkonsoll



int Ø mm	130	150	180	200
ext Ø mm	230	250	280	300
A	278	285	315	335
B	355	353	383	403
C	310	310	340	360
Weight (kg)	3,32	3,66	4,26	4,69

### BLACK (RAL 9005)

EAN 444	4051921059567	4051921059574	4051921059581	4051921059598
EAN 316L	4051921054784	4051921054791	4051921067951	4051921054807
Code 444	641844130	641844150	641844180	641844200
Code 316L	8120213065	8120215065	8120218065	8120220065
S Code 444	979541131	979541151	979541181	979541201
S Code 316L	977541131	977541151	977541181	977541201

### GREY (NCS 7500)

EAN 444	4051921059604	4051921059611	4051921059628	4051921059635
EAN 316L	4051921067975	4051921067982	4051921067999	4051921068002
Code 444	641845130	641845150	641845180	641845200
Code 316L	8120313065	8120315065	8120318065	8120320065
S Code 444	979541132	979541152	979541182	979541202
S Code 316L	977541132	977541152	977541182	977541202

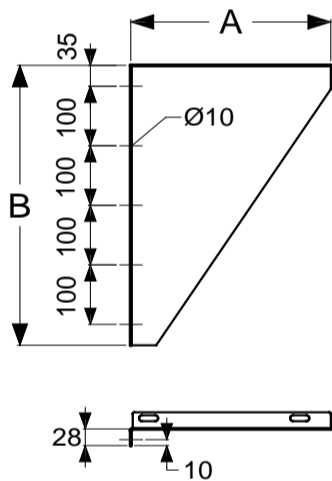
### WHITE (RAL 9016)

EAN 444	4051921059642	4051921059659	4051921059666	4051921059673
EAN 316L	4051921068019	4051921068026	4051921068033	4051921068040
Code 444	641846130	641846150	641846180	641846200
Code 316L	8120413065	8120415065	8120418065	8120420065
S Code 444	979541133	979541153	979541183	979541203
S Code 316L	977541133	977541153	977541183	977541203
Carton Quantity	1	1	1	1
Pallet Quantity	N/A	N/A	N/A	N/A

#### Application:

This item may be used as the Top Plate on a Base or Intermediate Wall Support on a wall mounted Vertical Chimney in combination with a Pair of Side Plates.

## Veggkonsoll



int Ø mm	130	150	180	200
ext Ø mm	230	250	280	300
A	310	315	345	365
B	470	470	470	470
Weight (kg)	2,85	3,13	3,32	3,54

### BLACK (RAL 9005)

EAN	4037494417669	4037494417676	4037494417683	4037494417690
Code	8702118031	8702120031	8702125031	8702130031
S Code	971998181	971998201	971998231	971998251

### GREY (NCS 7500)

EAN	4037494425688	4037494425695	4037494425701	4037494425718
Code	8702118032	8702120032	8702125032	8702130032
S Code	971998182	971998202	971998232	971998252

### WHITE (RAL 9016)

EAN	4037494434468	4037494434475	4037494434482	4037494434499
Code	8702118033	8702120033	8702125033	8702130033
S Code	971998183	971998203	971998233	971998253

Carton Quantity

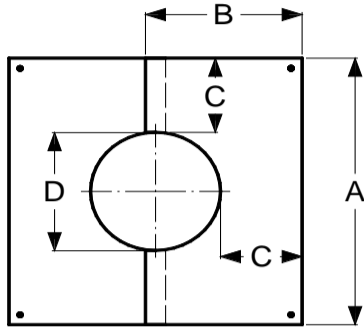
Pallet Quantity

#### Application:

The Sideplates may be used in combination with either a Top Plate or a Top Plate with Drain at the base of the Vertical Chimney, or in combination with the Top Plate as an Intermediate Wall Support. They may be installed with the points upwards (in traction) giving the best load bearing capacity or with points downwards.

# Dekkplate og dekkring

## 2 delt 0° - 5°



int Ø mm	130	150	180	200
ext Ø mm	230	250	280	300
A	480	500	530	550
B	265	275	290	300
C	120,5	120,5	120,5	120,5
D	239	259	289	309
Weight (kg)	1,18	1,10	1,23	1,32

### BLACK (RAL 9005)

EAN	4037494425947	4037494407806	4037494434598	4037494434604
Code	8861523091	8861525091	8861528091	8861530091
S Code	971538181	971538201	971538231	971538251

### GREY (NCS 7500)

EAN	4037494425992	4037494425497	4037494434635	4037494434642
Code	8861623091	8861625091	8861628091	8861630091
S Code	971538182	971538202	971538232	971538252

### WHITE (RAL 9016)

EAN	4037494434239	4037494434246	4037494434673	4037494434680
Code	8861723091	8861725091	8861728091	8861730091
S Code	971538183	971538203	971538233	971538253

Carton Quantity

1

1

1

1

Pallet Quantity

N/A

N/A

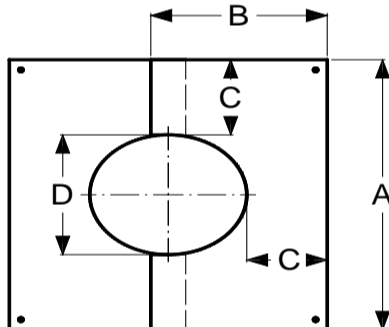
N/A

N/A

Application:

This item seals off the chimney as it penetrates the underside of the roof.

## 2 delt 5° - 20°



int Ø mm	130	150	180	200
ext Ø mm	230	250	280	300
A	480	500	530	550
B	265	275	290	300
C	120,5	120,5	120,5	120,5
D	239	259	289	309
Weight (kg)	1,18	1,10	1,23	1,32

### BLACK (RAL 9005)

EAN	4037494425954	4037494407813	4037494434710	4037494434727
Code	8863523091	8863525091	8863528091	8863530091
S Code	971532181	971532201	971532231	971532251

### GREY (NCS 7500)

EAN	4037494426005	4037494425503	4037494434758	4037494434765
Code	8863623091	8863625091	8863628091	8863630091
S Code	971532182	971532202	971532232	971532252

### WHITE (RAL 9016)

EAN	4037494434253	4037494434260	4037494434796	4037494434802
Code	8863723091	8863725091	8863728091	8863730091
S Code	971532183	971532203	971532233	971532253

Carton Quantity

1

1

1

1

Pallet Quantity

N/A

N/A

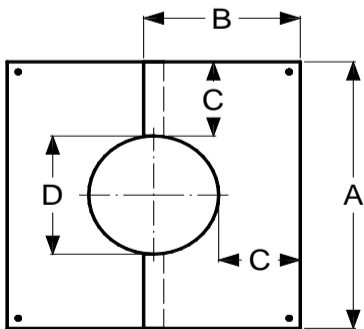
N/A

N/A

Application:

This item seals off the chimney as it penetrates the underside of the roof.

## 2 delt 20° - 35°



int Ø mm	130	150	180	200
ext Ø mm	230	250	280	300
A	480	500	530	550
B	280	290	310	320
C	120,5	120,5	120,5	120,5
D	239	259	289	309
Weight (kg)	1,08	1,16	1,31	1,41

### BLACK (RAL 9005)

EAN	4037494425961	4037494407820	4037494434833	4037494434840
Code	8865523091	8865525091	8865528091	8865530091
S Code	971534181	971534201	971534231	971534251

### GREY (NCS 7500)

EAN	4037494426012	4037494425510	4037494434871	4037494434888
Code	8865623091	8865625091	8865628091	8865630091
S Code	971534182	971534202	971534232	971534252

### WHITE (RAL 9016)

EAN	4037494434277	4037494434284	4037494434918	4037494434925
Code	8865723091	8865725091	8865728091	8865730091
S Code	971534183	971534203	971534233	971534253

Carton Quantity

1

1

1

1

Pallet Quantity

N/A

N/A

N/A

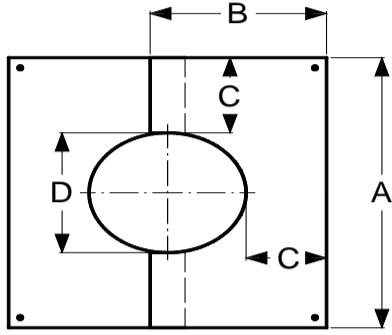
N/A

Application:

This item seals off the chimney as it penetrates the underside of the roof.

# Dekkplate og dekkring

2 delt 35° - 45°



	130	150	180	200
int Ø mm	130	150	180	200
ext Ø mm	230	250	280	300
A	480	500	530	550
B	300	315	333	345
C	120,5	120,5	120,5	120,5
D	239	259	289	309
Weight (kg)	1,21	1,30	1,41	1,52

## BLACK (RAL 9005)

EAN	4037494425978	4037494407837	4037494434956	4037494434963
Code	8867523091	8867525091	8867528091	8867530091
S Code	971537181	971537201	971537231	971537251

## GREY (NCS 7500)

EAN	4037494426029	4037494425527	4037494434994	4037494435007
Code	8867623091	8867625091	8867628091	8867630091
S Code	971537182	971537202	971537232	971537252

## WHITE (RAL 9016)

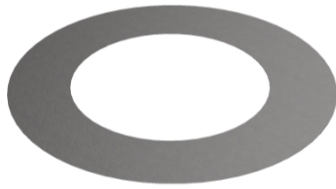
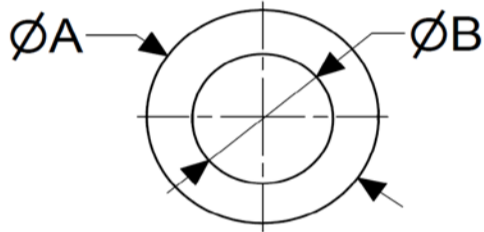
EAN	4037494434291	4037494434307	4037494435038	4037494435045
Code	8867723091	8867725091	8867728091	8867730091
S Code	971537183	971537203	971537233	971537253

Carton Quantity	1	1	1	1
Pallet Quantity	N/A	N/A	N/A	N/A

Application:

This item seals off the chimney as it penetrates the underside of the roof.

# Dekkring



	130	150	180	200
int Ø mm	130	150	180	200
ext Ø mm	230	250	280	300

## DW Trim Collar (Narrow)

ØA	437	457	487	507
ØB	238	258	288	308
Weight (kg)	0,96	1,04	1,16	1,25

## BLACK (RAL 9005)

EAN	4037494425985	4037494407844	4037494435076	4037494435083
Code	8869523091	8869525091	8869528091	8869530091
S Code	971520181	971520201	971520231	971520251

## GREY (NCS 7500)

EAN	4037494426036	4037494425534	4037494435113	4037494435120
Code	8869623091	8869625091	8869628091	8869630091
S Code	971520182	971520202	971520232	971520252

## WHITE (RAL 9016)

EAN	4037494434314	4037494434321	4037494435151	4037494435168
Code	8869723091	8869725091	8869728091	8869730091
S Code	971520183	971520203	971520233	971520253

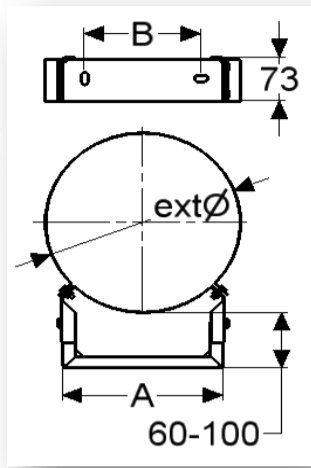
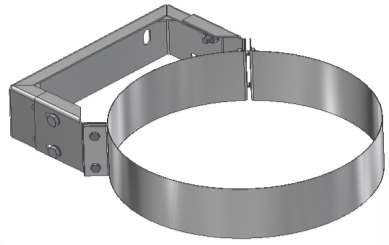
Carton Quantity	1	1	1	1
Pallet Quantity	N/A	N/A	N/A	N/A

Application:

The trim collars are used where the chimney penetrates the ceiling.

# Forankringer

## Veggforankring 60-100mm

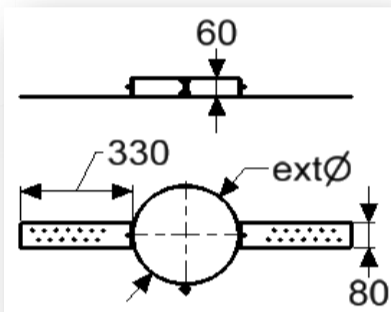


int Ø mm	130	150	180	200
ext Ø mm	230	250	280	300
A	200	214	235	249
B	150	160	170	180
Weight (kg)	0,91	0,93	0,97	1,04
<b>BLACK (RAL 9005)</b>				
EAN	4037494412664	4037494412671	4037494412688	4037494412695
Code	8723523091	8723525091	8723528091	8723530091
S Code	971065181	971065201	971065231	971065251
<b>GREY (NCS 7500)</b>				
EAN	4037494423042	4037494423059	4037494423066	4037494423073
Code	8723623091	8723625091	8723628091	8723630091
S Code	971065182	971065202	971065232	971065252
<b>WHITE (RAL 9016)</b>				
EAN	4037494431283	4037494431290	4037494431306	4037494431313
Code	8723723091	8723725091	8723728091	8723730091
S Code	971065183	971065203	971065233	971065253
Carton Quantity	1	1	1	1
Pallet Quantity	N/A	N/A	N/A	N/A

Application:

This item is used to fix the chimney to a supporting wall and provides lateral support only.

## Takforankring

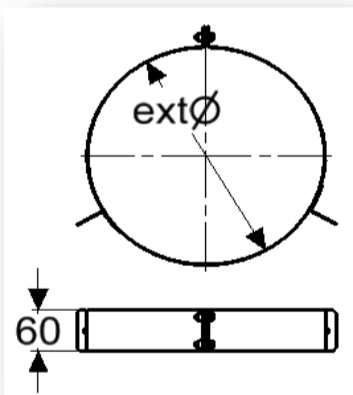
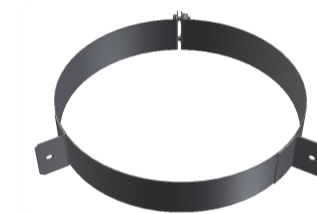


int Ø mm	130	150	180	200
ext Ø mm	230	250	280	300
Weight (kg)	1,30	1,33	1,37	1,40
<b>TEPLICE</b>				
EAN	4037494133200	4037494133217	4037494139738	4037494133224
Code	8880123091	8880125091	8880128091	8880130091
S Code	981066180	981066200	981066230	981066250
Carton Quantity	N/A	N/A	N/A	N/A
Pallet Quantity	N/A	N/A	N/A	N/A

Application:

This item is used to provide the chimney with lateral support as it passes through the roof space. The band is tightened around the chimney and the side plates are fixed to the roof trusses.

## Wirefeste

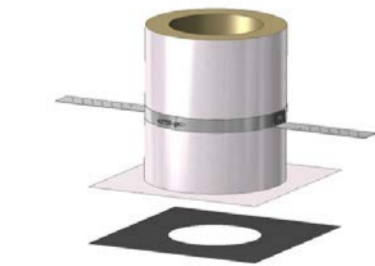


int Ø mm	130	150	180	200
ext Ø mm	230	250	280	300
Weight (kg)	0,58	0,61	0,64	0,66
<b>BLACK (RAL 9005)</b>				
EAN	4037494937365	4037494935880	4037494938621	4037494937389
Code	8766523091	8766525091	8766528091	8766530091
S Code	971092181	971092201	971092231	971092251
<b>GREY (NCS 7500)</b>				
EAN	4037494937785	4037494937792	4037494939048	4037494937808
Code	8766623091	8766625091	8766628091	8766630091
S Code	971092182	971092202	971092232	971092252
<b>WHITE (RAL 9016)</b>				
EAN	4037494938201	4037494938218	4037494939468	4037494938225
Code	8766423091	8766425091	8766428091	8766430091
S Code	971092183	971092203	971092233	971092253
Carton Quantity	1	1	1	1
Pallet Quantity	N/A	N/A	N/A	N/A

Application:

This item is used to provide an unsupported chimney with lateral support above roof level. It should be used in conjunction with guy wires or with rigid stays (provided by others) which should be attached to the bracket and then secured to suitable anchorage points on the building to ensure stability of the chimney. The maximum distance between guy wire brackets is 1.5m.

## Takgjennomføring



ext Ø mm	460
int Ø mm	255

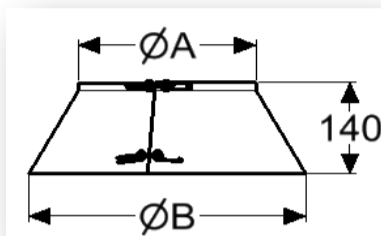
Kode 121342

Bruksområde:

Takgjennomføringen monteres i yttertaket for å sikre nødvendig avstand fra pipe til brennbart materiale. Festes til sperrene med den medfølgende takforankringen. Tettemansjetten festes til dampspærren med medfølgende tape og

# Overbeslag

## Regnkrave



int Ø mm	130	150	180	200
ext Ø mm	230	250	280	300
ØA	230	250	280	300
ØB	370	390	420	440
Weight (kg)	0,39	0,45	0,48	0,51

### BLACK (RAL 9005)

EAN	4037494426067	4037494407790	4037494921807	4037494921814
Code	8731523091	8731525091	8731528091	8731530091
S Code	971039181	971039201	971039231	971039251

### GREY (NCS 7500)

EAN	4037494426074	4037494425558	4037494921838	4037494921845
Code	8731623091	8731625091	8731628091	8731630091
S Code	971039182	971039202	971039232	971039252

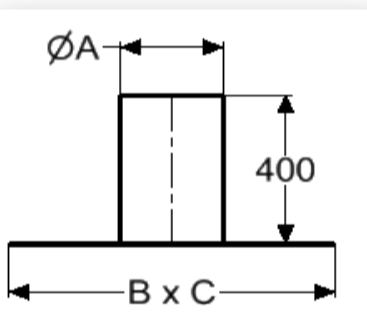
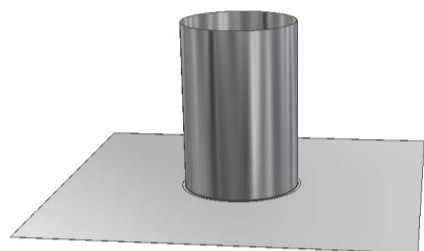
### WHITE (RAL 9016)

EAN	4037494434352	4037494434369	4037494921869	4037494921876
Code	8731723091	8731725091	8731728091	8731730091
S Code	971039183	971039203	971039233	971039253
Carton Quantity	1	1	1	1
Pallet Quantity	N/A	N/A	N/A	N/A

#### Application:

This item is used in conjunction with the stainless steel or lead flashings in order to provide a water tight flashing around the chimney as it passes through a roof.

## Overbeslag for flatt tak



int Ø mm	130	150	180	200
ext Ø mm	230	250	280	300
ØA	300	350		
B x C	800	850		
Weight (kg)	5,34	6,11		

### BLACK (RAL 9005)

EAN	4037494922095	4037494922101
Code	40010030031	40010035031
S Code	-	-

### GREY (NCS 7500)

EAN	4037494922125	4037494922132
Code	40010030032	40010035032
S Code	-	-

### WHITE (RAL 9016)

EAN	4037494922156	4037494922163
Code	40010030033	40010035033
S Code	-	-
Carton Quantity	1	1
Pallet Quantity	N/A	N/A

#### Application:

This item is used to provide a water tight flashing around the chimney as it passes through a flat roof. It is used in conjunction with the storm collar (see above), which is purchased separately.

## Overbeslag 10 - 32 grader



int Ø mm	150
ext Ø mm	300
ØA	315
Sort (RAL 9005)	
A x B x C x D	1250 x 800 X 508 x 120
Vekt (kg)	15,48
EAN	
Code	4002535074

#### Bruksområde:

Overbeslag monteres på yttertak for å sikre nødvendig tetting. Regnkrave monteres i tillegg.

## Overbeslag 33 - 45 grader



int Ø mm	150
ext Ø mm	300
ØA	315
Sort (RAL 9005)	
A x B x C x D	1250 x 800 X 343 x 120
Vekt (kg)	16,20
EAN	
Code	4003535074

#### Bruksområde:

Overbeslag monteres på yttertak for å sikre nødvendig tetting. Regnkrave monteres i tillegg.

# Overbeslag

## Komplett beslag 0 - 9 grader



int Ø mm	150
ext Ø mm	300
Yttermål	39 x 39 cm
Sort (RAL 9005)	
Høyde	120 - 190 cm
Vekt (kg)	32,00
EAN	
Code	4003535074

Bruksområde:  
Komplett beslag monteres på yttertak for å sikre nødvendig tetting mot inndriv av vann. Inneholder underbeslag, teleskopisk firkantbeslag, toppavdekning og pipehatt

## Komplett beslag 10 - 45 grader

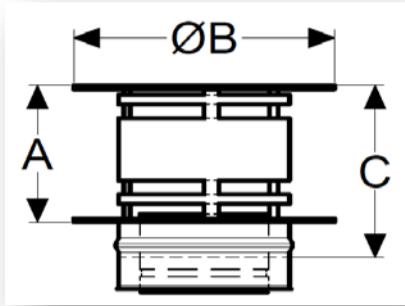
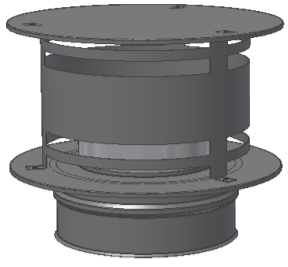


int Ø mm	150
ext Ø mm	300
Yttermål	39 x 39 cm
Sort (RAL 9005)	
Høyde	120 - 210 cm
Vekt (kg)	36,00
EAN	
Code	4003535074

Bruksområde:  
Komplett beslag monteres på yttertak for å sikre nødvendig tetting mot inndriv av vann. Inneholder underbeslag, overbeslag, teleskopisk firkantbeslag, toppavdekning og pipehatt

# Pipehatt

## Pipehatt med låsebånd



int Ø mm	<b>130</b>	<b>150</b>	<b>180</b>	<b>200</b>
ext Ø mm	230	250	280	300
A	130	175	200	240
B	255	300	350	400
C	180	225	250	290
Weight (kg)	2,50	2,74	3,60	4,38

### BLACK (RAL 9005)

EAN	4037494908198	4037494438886	4037494438893	4037494438909
Code	8451113031	8451115031	8451118031	8451120031
S Code 316L	977074131	977074151	977074181	977074201

### GREY (NCS 7500)

EAN	4037494921890	4037494921906	4037494921913	4037494921920
Code	8451113032	8451115032	8451118032	8451120032
S Code 316L	977074132	977074152	977074182	977074202

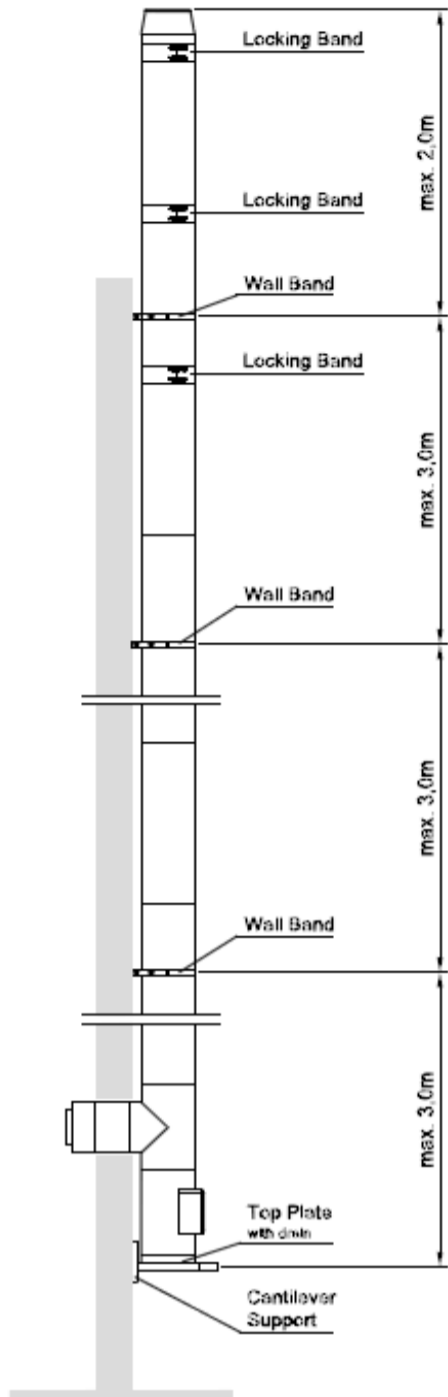
### WHITE (RAL 9016)

EAN	4037494921944	4037494921951	4037494921968	4037494921975
Code	8451113033	8451115033	8451118033	8451120033
S Code 316L	977074133	977074153	977074183	977074203
Carton Quantity	1	1	1	1
Pallet Quantity	N/A	N/A	N/A	N/A

Application:

This item is used to terminate an installation and provides extra protection to avoid rainwater from entering the chimney system, whilst minimising problems associated with downdraught. Please refer to your own national building regulations with regard to termination heights above roof level and with respect to fuel types allowed.

PMS50 Ø130 - Ø200



Example PMS50 Ø200